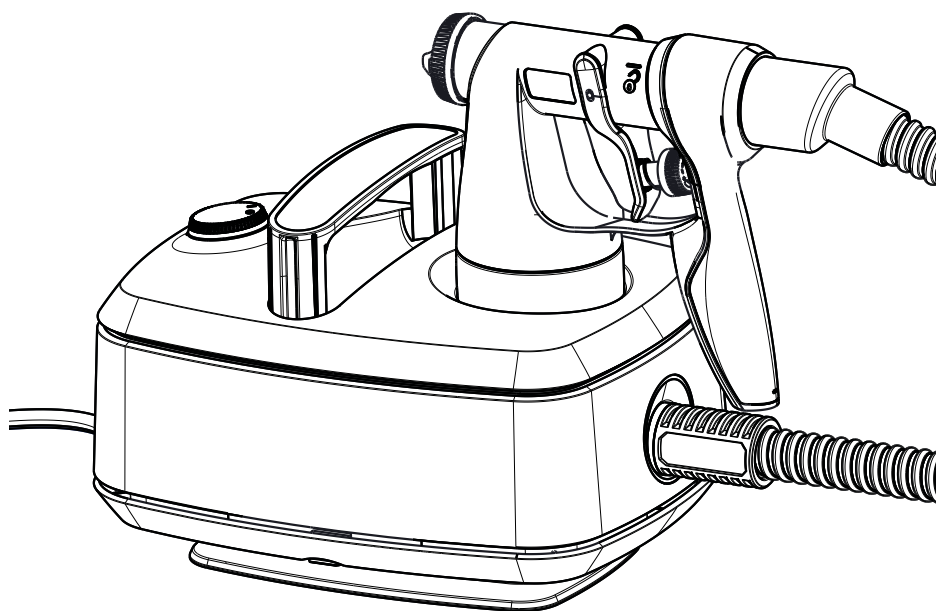


MaxiMist® Allure

with Xena Twist N Tan Spray Gun



Instruction Manual and User Guide

US

Contents

1. Explanation of symbols used	3
2. Field of application	3
3. General Safety Instructions.....	3
4. Description/scope of delivery	5
5. Processable materials	5
6. Non-processable materials	5
7. Preparation of the spray area.....	6
8. General preparations before the application of spray tanning lotion	6
9. Preparation of the skin	6
10. Start-up	7
11. Operation	7
12. Tips on using the spray tanning system.....	9
13. After application of the spray tanning lotion.....	9
14. Taking Out of Operation and Cleaning.....	10
15. Maintenance	11
16. Storage	11
17. Spare parts.....	12
18. Correction of Malfunctions.....	13
Technical Data	17
Important Note regarding Product Liability!.....	17
Environmental Protection	17
Warranty	18

Congratulations on the purchase of your MaxiMist® Spray Tanning System.

You have purchased a branded product, which requires careful cleaning and care to ensure smooth operation.



Read all safety information before operating the equipment. Save these instructions.

1. Explanation of symbols used

	<p>This symbol indicates a potential danger to you or to the Spray Tanning System. Under this symbol you can find important information on how to avoid injuries and damage to the Spray Tanning System.</p>
	<p>Indicates tips for use and other particularly useful information.</p>

2. Field of application


The MaxiMist® Spray Tanning System has been specifically developed for the application of liquid spray tanning lotion. Any application other than that described in this operating manual is not permitted.

3. Important Safety Instructions



To reduce the risks of fire or explosion, electrical shock and the injury to persons, read and understand all instructions included in this manual. Be familiar with the controls and proper usage of the equipment.

- DO NOT use the spray guns to spray flammable substances.
- DO NOT clean spray guns with flammable solvents.
- There must be no sources of ignition such as open fires, smoke of lit cigarettes, cigars and tobacco pipes, sparks, glowing wires, hot surfaces, etc. in the vicinity during spraying.
- CAUTION against dangers that can arise from the sprayed substance and observe the text and information on the containers or the specifications given by the substance manufacturer directly or via a SDS (Safety Data Sheet).
- DO NOT spray any liquid of unknown hazard potential.
- **ATTENTION!** Spray tanning solutions do not generally offer any protection against sunburn. Repeated unprotected contact with the sun increases the risk of skin cancer, skin ageing and other harmful effects.
- This Spray Tanning System is intended for use by persons 14 years and over.
- DO NOT let children play with the Spray Tanning System.
- NEVER leave spray tanning system unattended.
- Stay alert and watch what you are doing.
- DO NOT operate the unit when fatigued or under the influence of drugs or alcohol.

- Follow all appropriate local, state, and national codes governing ventilation, fire prevention, and operation.
- NEVER direct the spray gun at animals.
- The United States Government Safety Standards have been adopted under the Occupational Safety and Health Act (OSHA). These standards, particularly part 1910 of the General Standards and part 1926 of the Construction Standards should be consulted.
- Ensure that the spray area is well ventilated.
- DO NOT breathe in spray tanning solution. Wearing nasal plugs and operating an extraction fan designed for the purpose is recommended.
- DO NOT spray into the eyes.
- If spray tanning solution is sprayed into the eyes, wash eyes out with water immediately and consult a doctor.
- DO NOT spray tanning solution into open wounds or onto damaged skin.
- Cover your hair when spraying your face. Otherwise bleached hair in particular could be stained by the spray tanning solution.
- NEVER immerse the Spray Tanning System into water.
-  **WARNING!** NEVER use your Spray Tanning System near bath tubs, shower trays or other receptacles that contain water.

NEVER place the Spray Tanning System near a washbasin or another water source. Water always represents a hazard even when the system is switched off.

- NEVER expose the equipment to rain.
- DO NOT use outdoors or operate where aerosol (spray) products are being used.
- NEVER drop or insert any object into any opening or hose.
- NEVER block air openings of the spray turbine.
- Keep electrical cord plug and spray gun trigger free from liquids.
- NEVER hold the cord at plug connections to support the cord. Failure to observe may result in an electrical shock.
- Keep cord away from heated surfaces.
- NEVER operate spray tanning system if cord or plug is damaged.
- As additional protection, the installation of a circuit protective device such as ALCI or GFCI is recommended. Ask your installer for advice.
- Connect to a grounded outlet and use grounded extension cords.
- The system is equipped with a thermal release which disconnects the system in case of overheating. In this case, turn off the system, remove the plug and let the system cool down for at least 1/2 hour. Eliminate the cause of heating, e.g. bent hose, soiled air filter, slots for air intake covered.
- DO NOT use a 3 to 2 adapter.
- Unplug turbine before cleaning any parts.
- Use only manufacturer authorized parts. User assumes all risks and liabilities when using parts that do not meet the minimum specifications and safety devices of the turbine manufacturer.
- NEVER open the Spray Tanning System yourself to carry out electrical repairs!
- DO NOT place the spray gun on its side, as material could leak out.

Important Electrical Information

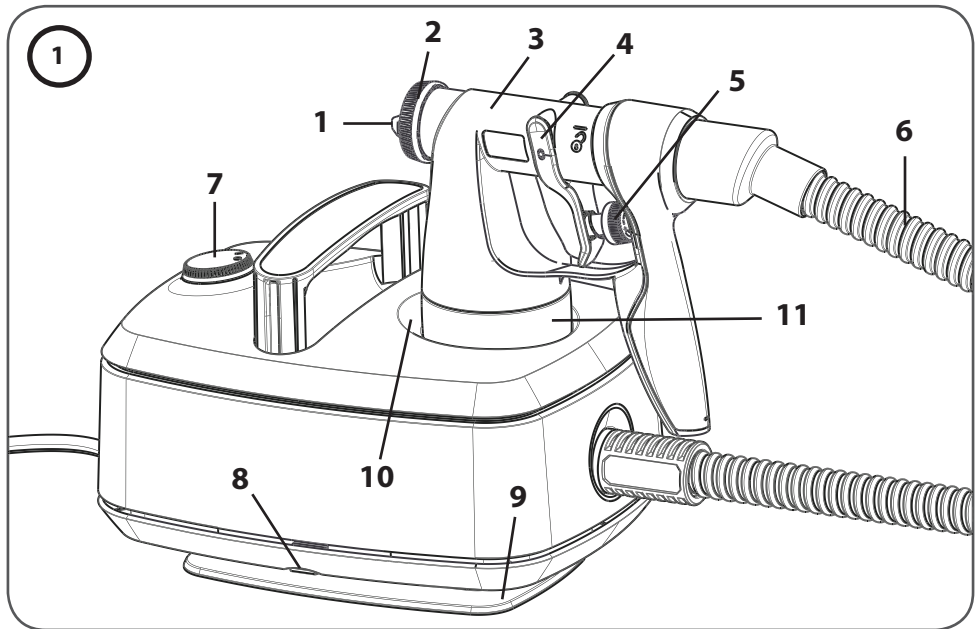
When using an extension cord, make sure it is in good condition and heavy enough to carry the current your product will draw. An undersized cord will cause a drop in line voltage resulting in loss of power and overheating. A SJTO type cord is required. Cord shall be 14 AWG minimum for general indoor use.

SAVE THESE INSTRUCTIONS

4. Description/scope of delivery

Description (Fig. 1)

1) Air cap /Nozzle	2) Union nut
3) Spray gun	4) Trigger
5) Material volume regulation	6) Air hose
7) ON/OFF switch	8) Air Filter
9) Cable Storage	10) Gun holder
11) Container	



5. Processable materials

Liquid spray tanning lotion



Only use spray tanning lotion up to the expiry date specified on the package.



means, for example, that the substance can be used up to 12 months after opening. Actual date of opening needs to be noted by user and marked on the container or package.

6. Non-processable materials

All materials not approved for skin treatment.

7. Preparation of the spray area

- Remove all objects from the spray area if possible in order to avoid contamination from overspray.
- Work in a room with a smooth, easy-to-clean surface.
The use of a spray tent and extraction fan is recommended.
- **Place the motor unit as far away from the spraying area as possible to prevent the filter clogging up with tanning mist.**
- Never place the motor unit inside the tent.

8. General preparations before the application of spray tanning lotion



Test the compatibility of the spray tanning lotion on a small patch of skin approx. 24 hours before the actual application of the spray tanning lotion. Stop application if skin irritations occur.

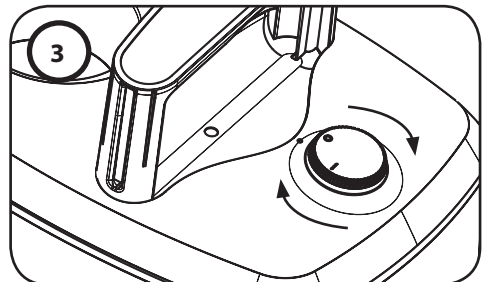
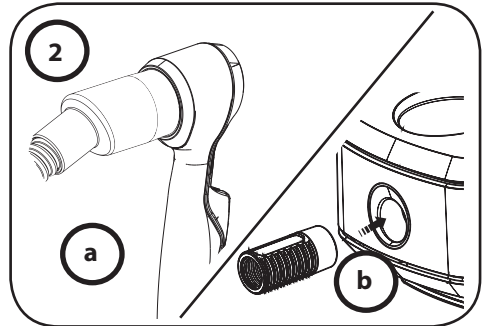
- Approx. 24-48 hours prior to treatment remove body hair by shaving or waxing.
- DO NOT apply any perfume, deodorant or make-up. These products can negatively influence the tanning result.
- On the day of the treatment wear dark, loose-fitting clothing in order to prevent discoloration of clothing by the spray tanning lotion.
- Remove all jewellery in order to avoid discoloration by the spray tanning lotion.

9. Preparation of the skin



Correct preparation of the skin is the key to an even and long lasting tanning result. Please note the following instructions:

- Remove all dead skin cells by means of exfoliation before applying the spray tanning lotion.
- Make sure that the moisture content of the skin is as uniform as possible.
Use a moisturizer for dry areas (e.g. elbows and knees). Let the moisturizer dry before commencing the treatment.
- Apply a little balm to lips, nails, palms of the hands, eyebrows and the hairline for protection.

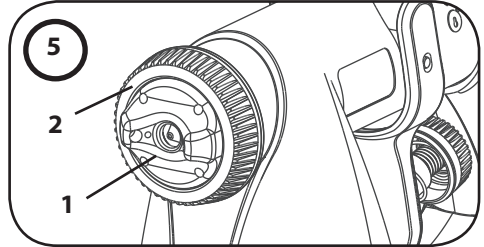
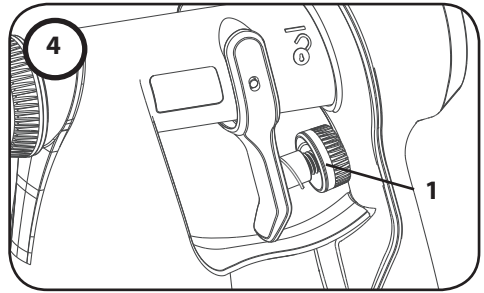


10. Start-up

Before connecting to the power supply, be sure that the supply voltage is identical with the value given on the rating plate.

1. Unscrew the container from the spray gun.
2. Prepare spray tanning lotion according to manufacturer's instructions and pour into the container.
3. Screw the container tightly onto the spray gun.
4. Mount the air hose (Fig. 2, a + b).
5. Place the device only on a horizontal level clean surface. Otherwise, the gun may suck in dust, etc.
6. Remove hand jewellery to avoid scratching the gloss surfaces of the spray gun.

DO NOT FILL ABOVE MAX LEVEL INDICATED ON SIDE OF CUP, OVERFILLING MAY CAUSE POSSIBLE LEAKING



11. Operation

How the Spray Tanning system is handled, including preparation of the work place and spray tanning lotion as well as the final result, is the sole responsibility of the operator.

MaxiMist excludes any liability for damage which may arise from overspray, application errors, touch-ups, or non-compliance with the instructions provided here.

- Turn ON/OFF dial on the device (Fig. 3).
- Turn the material control (Fig. 4, 1) in order to adjust the desired delivery rate. + and - symbols are marked on the dial.

lower material volume (-):
→ turn anticlockwise

higher material volume (+):
→ turn clockwise

- Turn the air cap (Fig. 5, 1) with the union nut slightly unscrewed (2) to adjust the shape of the spray pattern:

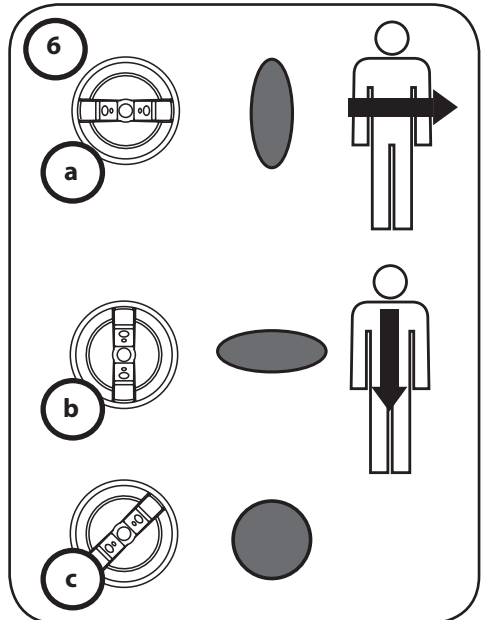


Fig. 6a vertical flat spray pattern: For spray movements from left to right

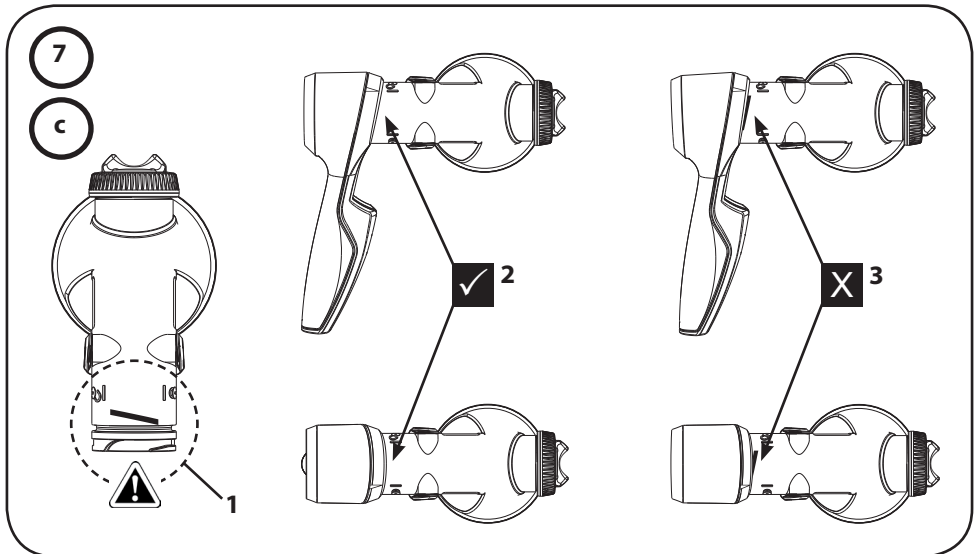
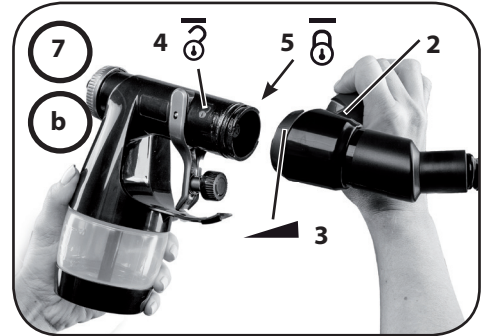
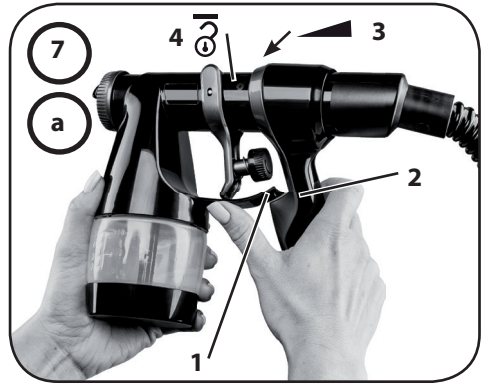
Fig. 6b horizontal flat spray pattern: For spray movements from top to bottom

Fig. 6c round contouring jet: For a small round pattern for contouring and shading. Turn the volume down (Fig4, 1) for a smaller pattern.

- Pull the trigger to spray the tanning lotion.

Disconnect and reconnect the Handle from the Gun Body

- Disconnect Handle from Gun Body (Fig. 7, a). While holding the Gun Body, push the bridge (1) upwards, rotate the handle (2) sideways until the arrow on the Handle (3) aligns with the un-lock symbol (4) on the Gun Body. Gently pull the 2 pieces apart, the Gun Body is now disconnected from the Handle.
- Reconnect Handle to Gun Body (Fig. 7, b). Align the un-lock symbol (4) on the Gun Body with the arrow symbol (3) on the Handle (2), press both parts together firmly until you feel a stop, then rotate the Handle downwards until the arrow symbol (3) on the Handle (2) aligns with the lock symbol (5) on the Gun Body. At this point a 'click' will be heard, the Gun Body is now connected to the Handle. Ensure they are connected firmly before you begin spraying. The red/black label on the gun body (Fig. 7, c 1) should not be visible if connected correctly (2).



12. Tips on using the spray tanning system



Before commencing application, check that all necessary protective measures (nasal plugs, safety goggles, hair covering) have been taken.



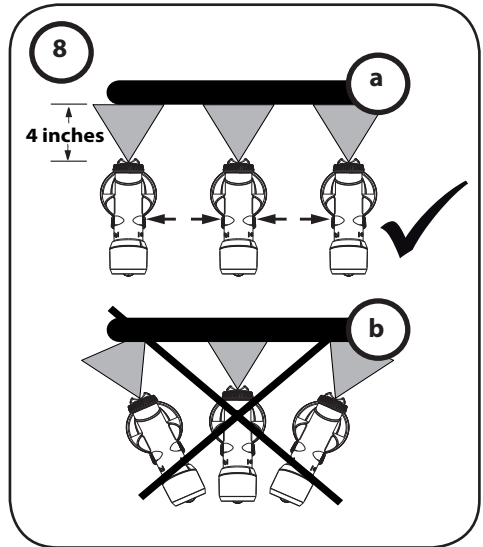
Practice on a large piece of cardboard or paper first of all in order to find the optimal settings for the spray tanning lotion used.

- The spray movement should come from the arm, not just from the wrist. This ensures that a uniform distance is maintained between the spray gun and the body during the spray operation. **Your goal is a 4 inch wide spray pattern spraying 4 inches away.**

Fig. 8 a: CORRECT Even distance

Fig. 8 b: INCORRECT uneven distance will result in uneven tanning

- **Move the spray gun at an even speed**
- When tanning is complete, switch off, turbine and any tanning extraction fan (if used) after fumes/mist have cleared.



13. After application of the spray tanning lotion



The full tanning effect develops during the first 6-12 hours after the treatment.

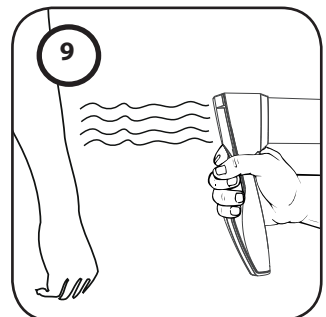
- Allow the spray tanning lotion to dry for 10-15 minutes before getting dressed again. It is advisable to wear very loose clothing to prevent the fresh tanning lotion rubbing off the body.



You can also use the warm air from the Twist N Tan dryer to accelerate the drying process if the spray tanning lotion feels moist on the skin (Fig. 9).

To do this follow the instructions in section 11 "Disconnect and reconnect the Handle from the Gun Body".

- **DO NOT** shower or bathe in the first 6-8 hours after application as this will affect the tanning result.



- Prolonged hot baths and showers should be avoided in order to maintain the tanning effect for as long as possible. **Daily moisturization of the skin is also recommended.**

14. Taking Out of Operation and Cleaning

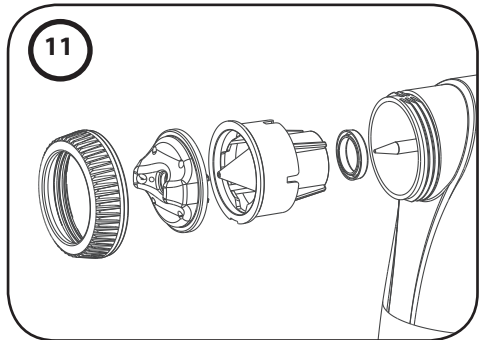
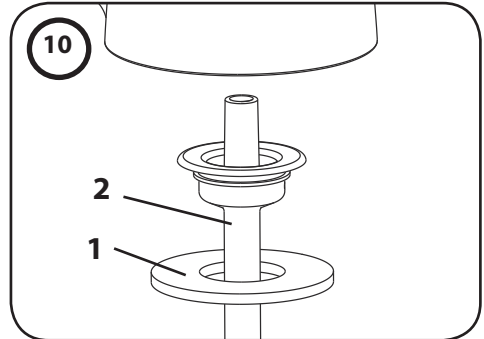


Clean the Spray Tanning System as required, at the end of the working day/application. Dried spray tanning lotion makes cleaning more difficult and can even damage the system.

- 1) Turn the system off.
 - 2) Unscrew the container.
 - 3) Pour any remaining spray tanning lotion back into the original packaging.
 - 4) Clean the container and feed tube with a brush.
 - 5) Remove the pick up tube (fig. 10,2) and container seal (fig. 10,1)
 - 6) 6) Dry underneath the seal before re-inserting. A spare pick up tube and seal comes with your unit. Re-insert both parts. Make sure the seal is pushed down so that all the air is removed from underneath the seal.
- Do not use flammable materials for cleaning purposes.**
- 7) Dry the threading of the container and gun before screwing the container back on.
 - 8) Repeat the above procedure until the water emerging from the nozzle is clear.
 - 9) Turn the system off.
 - 10) For a more thorough clean, pour 2 fl. oz of MaxiClean Spray Gun Cleaner into the container, and repeat cleaning process. **DO NOT** use flammable materials for cleaning purposes.

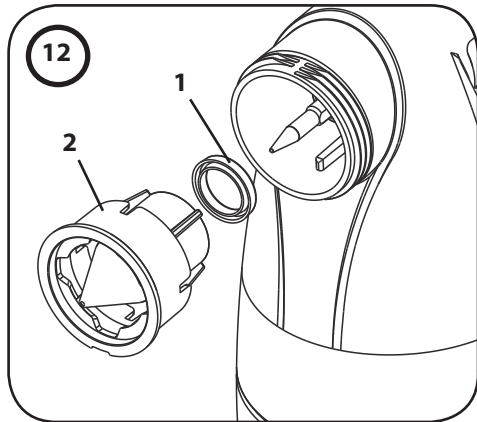
CAUTION! NEVER clean seals, nozzles or air holes of the spray gun with metal objects or chemical cleaners.

- 11) Unscrew the union nut/ air cap ring and remove the air cap and nozzle (Fig. 11). Clean the air cap, nozzle seal and nozzle with a brush and water.
- 12) Clean the outside of the spray gun and container with a cloth soaked in water.
- 13) Dry all parts before re-assembling (see "Assembly").



Assembly

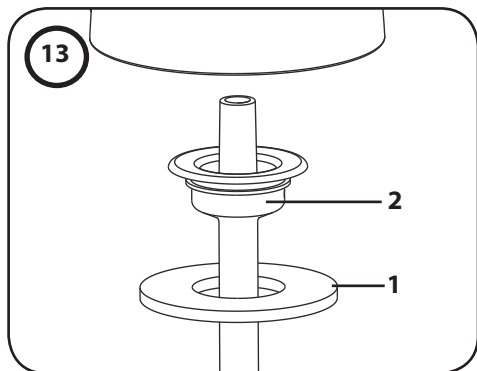
- 1) Slide the nozzle seal (Fig. 12, 1) with the groove (slot) facing forwards into the nozzle (Fig. 12, 2).
- 2) Put the nozzle onto the gun body and find the correct position by turning it.
- 3) Put the air cap onto the nozzle and tighten it using the union nut.
- 4) Place the container seal (Fig. 13, 1) from below on the feed tube (Fig. 13, 2) and slide it over the collar, while turning the container seal slightly.
- 5) Insert the feed tube with container seal in the gun body.



15. Maintenance

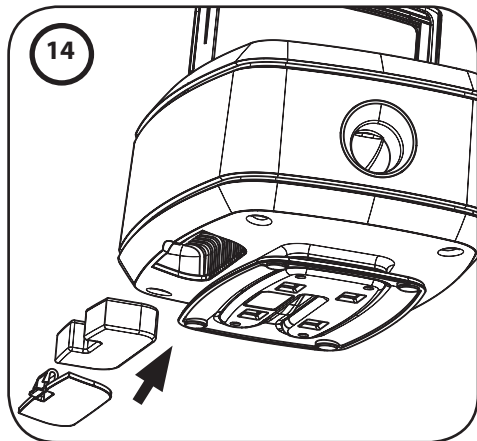
Important! NEVER operate the system without the air filter fitted; dirt could be sucked in and interfere with the function of the system.

- 1) Wash the air filter if it is soiled (check daily in the case of intensive/commercial use and replace if heavily soiled).
- 2) For this pull the air filter out of the unit (Fig. 14).
- 3) Insert a clean air filter.



16. Storage

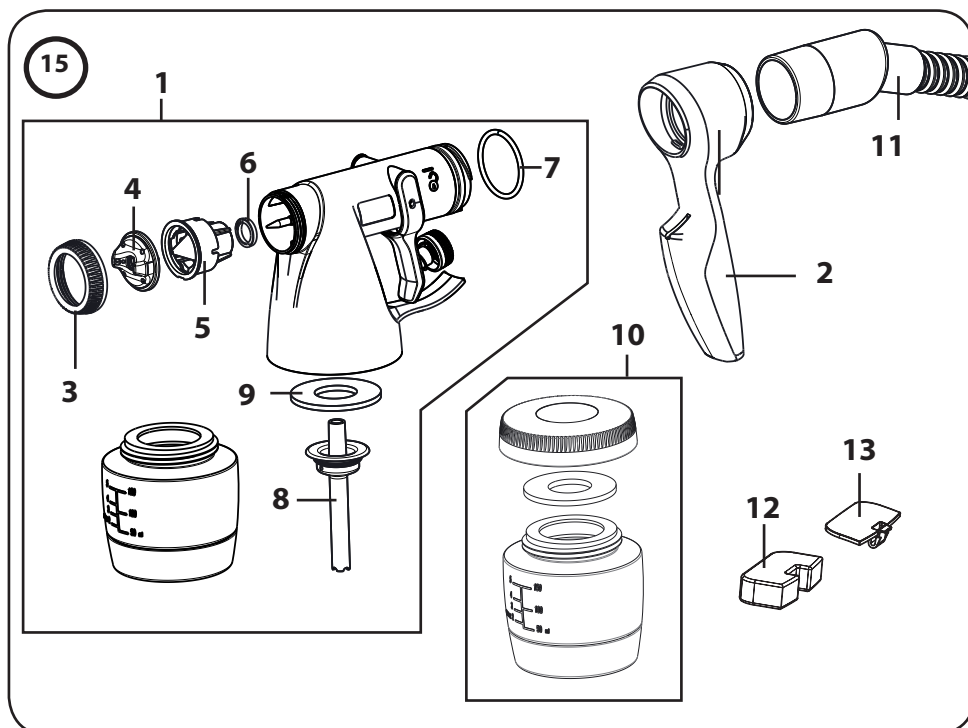
Store unit away in a safe place with cord wrapped around unit without any twisting.



17. Spare parts

Spare Parts List (Fig. 15)

Pos.	Designation	Order No.
1	Spray Gun front end	2354 163
2	Spray gun drying handle	2354 165
3	Union Nut	2354 166
4	Air Cap	2354 167
5	Nozzle	2354 168
6	Nozzle seal	0417 706
7	O-ring for Front End	2354 169
8	Feed tube	2354 170
9	Container seal	2354 171
10	Spare container with lid	2354 173
11	Air hose	2347 546
12	Air filter (T0056)	2354 175
13	Filter Cover	2354 176
	Lubricant	2315 539



18. Correction of Malfunctions

Malfunction	Cause	Remedy
No spray tanning lotion comes out of the nozzle	<ul style="list-style-type: none"> • Nozzle clogged • Material volume setting turned too far to the left (-) • No pressure build-up in container • Container empty • Feed tube loose • Feed tube clogged 	<ul style="list-style-type: none"> • Clean • Turn material volume adjusting screw to the right (+) • Tighten container • Refill • Insert • Clean
Spray tanning lotion drips out of the nozzle	<ul style="list-style-type: none"> • Spray tanning lotion has accumulated on the air cap, nozzle or needle • Nozzle loose • Nozzle seal worn • Nozzle worn 	<ul style="list-style-type: none"> • Clean • Tighten union nut • Change • Change
Atomization too coarse	<ul style="list-style-type: none"> • Material volume adjusting screw turned too far to the right (+) • Nozzle contaminated • Too little pressure build-up in container • Air filter heavily soiled • Union nut is loose 	<ul style="list-style-type: none"> • Turn material volume adjusting screw to the left (-) • Clean • Tighten container • Replace • Make sure that the union nut is fully tightened
Uneven spray pattern	<ul style="list-style-type: none"> • Spray tanning lotion in the container is running out • Nozzle seal worn • Air filter heavily soiled 	<ul style="list-style-type: none"> • Refill • Replace • Replace
Excessive overspray	<ul style="list-style-type: none"> • Distance too large • Material volume adjusting screw turned too far to the right (+) 	<ul style="list-style-type: none"> • Reduce distance • Turn material volume adjusting screw to the left (-)
Spray tanning lotion runs down body	<ul style="list-style-type: none"> • Too much spray tanning lotion applied • Spray paths overlap too much • Spraying distance too small or spray movement too slow 	<ul style="list-style-type: none"> • Carefully dab affected points with a towel, reduce flow setting if required and lightly overspray again
The tan is patchy or blotchy	<ul style="list-style-type: none"> • Skin was not correctly prepared • Spray movement not even enough 	<ul style="list-style-type: none"> • Correct by lightly overspraying

Malfunction	Cause	Remedy
Customer's skin appears orange	<ul style="list-style-type: none"> • Too much spray tanning lotion applied • Skin was not correctly prepared • High sensitivity to active ingredient DHA 	<ul style="list-style-type: none"> • Remove spray tanning lotion from the skin • Prepare skin correctly for new application, reduce flow setting • Use another shade with lower concentration of DHA
The tanning solution is bubbling from the container	<ul style="list-style-type: none"> • Seal is not inserted properly • Solution container is not screwed on correctly • The container is mis-threaded • Solution container is overfilled 	<ul style="list-style-type: none"> • Make sure the seal is pressed down, so all air is removed from behind the seal • Standing the gun on a flat surface screw the container onto the gun. This will help you to keep the container straight • Standing the gun on a flat surface screw the container onto the gun. This will help you to keep the container straight • Pour some solution away. Only fill to the maximum measurement mark on the side of the container
The air flow is cutting in and out	<ul style="list-style-type: none"> • The filter is soiled too heavily 	<ul style="list-style-type: none"> • Remove the filter from the base of the unit and rinse through with warm water. When the water runs clear, the filter is clean. Dry filter before re-fitting
The spray gun is leaking from the cup	<ul style="list-style-type: none"> • The solution container is not tight enough • There is too much solution in the container 	<ul style="list-style-type: none"> • Tighten container so the measurements fall in line with the nozzle at the front of the gun • Pour some solution away. Only fill to the maximum measurement mark on the side of the container

Malfunction	Cause	Remedy
The spray gun is leaking from the nozzle	<ul style="list-style-type: none"> • Nozzle may be blocked • Nozzle not inserted correctly • Nozzle seal missing, not fitted properly or damaged 	<ul style="list-style-type: none"> • Remove the 3 part nozzle, clean and re-assemble • Make sure the indents on the nozzle edge sit over the notches in the gun front end when inserting the nozzle • Check the seal is not sitting in the back of the nozzle. If missing, insert the seal found in the spares pack. If the seal is damaged replace with the spare seal provided
Spitting gun/ intermittent spray	<ul style="list-style-type: none"> • You may be spraying the incorrect distance from the model • The solution flow setting is too high 	<ul style="list-style-type: none"> • You should be spraying between 4-6 inches away. If the spray pattern is very wide, you are spraying too far away or using a too-high setting • Dial the flow dial down low (anticlockwise towards the '-' symbol)
Too much solution flow and poor spray pattern	<ul style="list-style-type: none"> • Nozzle is not correctly positioned 	<ul style="list-style-type: none"> • Make sure the nozzle is correctly seated into the gun body. Make sure the indents on the nozzle edge sit over the notches in the gun front end when inserting the nozzle. If this is not correctly positioned you will get too much solution flow and poor spray pattern
Spray pattern poor	<ul style="list-style-type: none"> • Air leak at container causing low pressure 	<ul style="list-style-type: none"> • Make sure the container and gasket are correctly seated and the container is tight
Handle not connecting to front end of gun	<ul style="list-style-type: none"> • Two parts are being incorrectly attached 	<ul style="list-style-type: none"> • Follow included instructions and watch video on how to attach. Use lubricant on gun attachment in order for the 2 parts to connect together more easily

Malfunction	Cause	Remedy
The gun is blowing air but spraying no solution	<ul style="list-style-type: none"> • Very little or no solution in solution container • Blocked nozzle • Solution container is not tightly screwed onto the gun • Union nut is too tight causing restriction on the needle movement 	<ul style="list-style-type: none"> • Add solution • Remove the 3 part nozzle, clean and re-assemble • Tighten solution container • Loosen union night very slightly. Too loose and you will cause too much solution to exit the gun

Technical Data	
Power source:	120 V ~, 60 Hz
Current:	2.3 A
Protection:	<input checked="" type="checkbox"/> Double-insulated
Sound pressure level	75.5 dB (A)
Air hose length:	12 ft
Container capacity:	7.0 US fl. oz
Weight:	approx. 3.5 lbs

Environmental protection



The appliance and accessories should be recycled in an environmentally friendly way. Do not dispose of the appliance with household waste. Support environmental protection by taking the appliance to a local collection point or obtain information from a specialist retailer.

Servicing of a double-insulated product

In a double-insulated product, two systems of insulation are provided instead of grounding. No grounding means is provided on a double-insulated product, nor should a means for grounding be added to the product. Servicing of a double-insulated product requires extreme care and knowledge of the system, and should be done only by qualified service personnel. Replacement parts for a double-insulated product must be identical to those parts in the product.

MaxiMist® 2 year warranty

The warranty runs for two years, counting from the date of sale (sales slip) in case of private use, and 1 year in case of commercial use. It covers and is restricted to free-of-charge rectification of faults which are demonstrably attributable to the use of faulty materials in manufacture, or assembly errors; or free-of-charge replacement of the defective parts. The warranty does not cover incorrect use or commissioning or fitting or repair work which is not stated in our operating instructions. Wearing parts are also excluded from the warranty. This includes in particular cables, valves, nozzles, fluid-carrying housing components, filters, hoses and seals. We expressly reserve the right to fulfil the warranty. The warranty expires if the tool is opened up by persons other than MaxiMist service personnel. Transport damage, maintenance work and loss and damage due to faulty maintenance work are not covered by the warranty. Under any warranty claim, there must be proof of purchase of the tool through submission of the original receipt. Wherever legally possible, we exclude all liability for injury, damage or consequential loss, especially if the tool has been used for a purpose other than that stated in the operating instructions, commissioned or repaired other than in accordance with our operating instructions or if repairs are performed by someone who is unqualified. We reserve the right to perform any repairs in excess of those stated in our operating instructions. In case of warranty or repair, please refer to your point of sale.

PLEASE CONTACT YOUR DEALER FOR ALL WARRANTY AND SUPPORT ISSUES

POUR TOUTE QUESTION DE GARANTIE ET D'ASSISTANCE TECHNIQUE, NOUS VOUS PRIONS DE CONTACTER VOTRE REVENDEUR

MaxiMist Tanning Systems

11920 31st Ct N
St.Petersburg, Florida 33716

Sales/Ventes

Tel/Téléphone: (727)-230-0565
sales@maximist.co

Tech Support/Assistance technique

Tel/Téléphone: (727)-834-9435
support@maximist.co

www.maximist.co