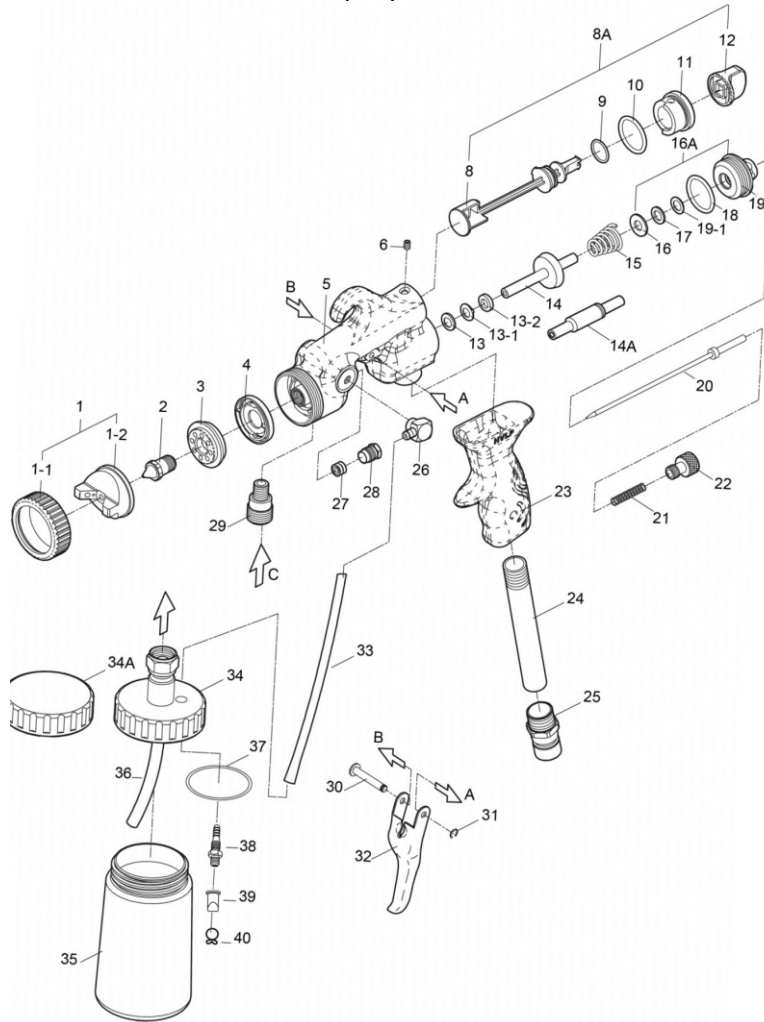
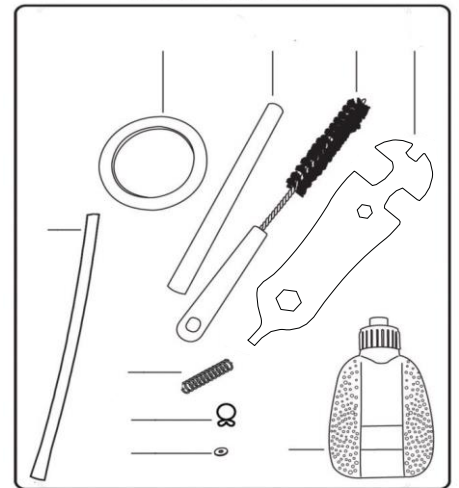


Spray Gun Parts Breakdown



Accessories kit



No.	Part No.	Description	Quantity	No.	Part No.	Description	Quantity
1.	ST301PRO-1	Air Cap Set	1	24.	ST301PRO-24	Tube	1
1-1.	ST301PRO-1-1	Air Cap Ring	1	25.	ST301PRO-25	Connector	1
1-2.	ST301PRO-1-2	Air Cap	1	26.	ST301PRO-26	"L" Fitting	1
2.	ST301PRO-2	Fluid Nozzle	1	27.	ST301PRO-27	Seal	1
3.	ST301PRO-3	Distributor (Aluminum)	1	28.	ST301PRO-28	Seal Nut	1
4.	ST301PRO-4	Distributor (Plastic)	1	29.	ST301PRO-29	Fluid Inlet	1
5.	ST301PRO-5	Gun Body	1	30.	ST301PRO-30	Pin	1
6.	ST301PRO-6	Screw	1	31.	ST301PRO-31	E-Ring	1
8A.	ST301PRO-8A	Pattern Adjusting Assembly	1	32.	ST301PRO-32	Trigger	1
8.	ST301PRO-8	Pattern Adjusting Shaft	1	33.	ST301PRO-33	Tube	1
9.	ST301PRO-9	O-ring	1	34.	ST301PRO-34	Lid Assembly	1
10.	ST301PRO-10	O-ring	1	34A.	ST301PRO-34A	Lid	1
11.	ST301PRO-11	Seat	1	35.	ST301PRO-35	Cup	1
12.	ST301PRO-12	Air Adjusting Knob	1	36.	ST301PRO-36	Fluid Tube	1
13.	ST301PRO-13	Washer	1	37.	ST301PRO-37	Gasket	1
13-1.	ST301PRO-13-1	Gasket	1	38.	ST301PRO-38	Connector	1
13-2.	ST301PRO-13-2	Gasket	1	39.	ST301PRO-39	Duck Bill	1
14.	ST301PRO-14	Valve Set	1				1
14A.	ST301PRO-14A	Valve Set (Bleeder Type)	1				
15.	ST301PRO-15	Spring	1				
16A.	ST301PRO-16A	Gasket Assembly	1				

Accessories kit			
No.	Part No	Description	Quantity
21.	ST301PRO-21	Spring	1
27.	ST301PRO-27	Seal	1
33.	ST301PRO-33	Tube	1
36.	ST301PRO-36	Fluid Tube	1
37.	ST301PRO-37	Gasket	3
40.	ST301PRO-40	Clamp	1
41.	ST301PRO-41	Brush	1
42.	ST301PRO-42	Spanner/ wrench	1
43.	ST301PRO-43	Gun lube	1

Preparing your equipment for use

Your tanning equipment is supplied as three main components, the Turbine, Spray Gun and Hose. Please refer to the exploded views and follow the simple instructions below:

Your unit comes with the male quick connect fitting (#1) not attached. Simply remove the clear tubing at the opening and attach the quick connect to the threaded fitting inside the opening.

Insert the power cord into the back of the Turbine. Plug the Turbine into any 110v Outlet.

Pull back on the Female Quick Connect on the hose (6) and insert onto the Male Quick Connect fitting on the Turbine (4).

Pull back on the Female Quick Connect on the hose (6) and insert onto the Male Quick Connect fitting on the Spray Gun (25).

Unscrew the Cup (35) from the spray gun and fill with tanning solution. Do not overfill the Cup. Normally 2oz (50ml) of solution is enough for one application.

Make sure the Fluid Tube (36) is pushed firmly into the lid of the spray gun.

Carefully screw the Cup back onto the lid of the spray gun by holding the spray gun at the lid area, not by the handle. This will ensure an airtight seal.

Next, position the motor unit as far away as practically possible from the area where you will be spraying.

ALWAYS KEEP THE TURBINE MOTOR AS FAR AWAY FROM THE SPRAYING AREA AS POSSIBLE TO PREVENT TANNING SOLUTION CONTAMINATING THE MOTOR.

Before You Spray: Adjusting the spray gun

Spray patterns

The MaxiMist Pro spray gun has three spray patterns to choose from, they are a vertical (up and down) movement or a horizontal (left to right) movement.

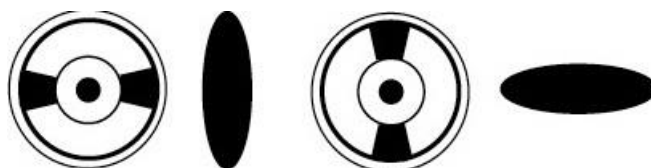
To adjust the spray pattern turn the Air Cap (1-2) at the front of the spray gun to the following position.



Horizontal Technique (Spraying Left to Right)



Vertical Technique (Spraying Up & Down)



The third spray pattern creates an "airbrush or detailed mode" which is ideal to touch up areas such as bikini lines or to enhance certain areas such as the abdominals (called sculpting or contouring). To do this turn the Air Adjusting Knob (12) at the rear of the spray gun from the 12 o' clock position to the 3 o' clock position.



Standard Mode

Airbrush Mode

Airbrush Mode Round Pattern for Contouring, Touchups, Bikini Lines

NEVER ATTEMPT TO SPRAY AN ENTIRE BODY IN THE "AIRBRUSH" MODE SETTING.

Using your MaxiMist Ultra Premier for the first time:

The ON/OFF switch is located on the Turbine, turn it on. You will hear a sound similar to a vacuum cleaner. You may also notice that air is now blowing out of the front of the spray gun. This is correct. Air will continually flow from the Air Cap (1-2) of the spray gun as long as the motor unit is running and the Air Hose (5) is connected.

This may be the first time or hundredth time you have performed a spray tan. However it is a good idea to practice spraying onto a piece of white towel until you find the pattern and air volume that is best for you. **Your goal is to adjust the flow of solution so you obtain a 4" (10cm) wide spray pattern spraying 4" (10cm) away from your target. Proper adjustments will greatly improve application and will make the difference between a great or poor application.**

Open the Fluid Adjusting Knob (22) until you achieve the above suggested spray width.

Set the spray pattern you wish to use by adjusting the Air Cap (1-2) to the desired position.

In general, hold the spray gun 4" (10cm) from the person being sprayed. Moving the spray gun back will increase the size of the mist pattern. Moving the spray gun closer will decrease the size of the mist pattern. The further away you hold the spray gun, the more you will need to increase the solution flow thus causing unwanted amounts of airborne solution (overspray).

Holding the spray gun closer to the person being sprayed along with a minimum flow of solution will provide the best results, no streaks or running solution and virtually no mist in the spray area.

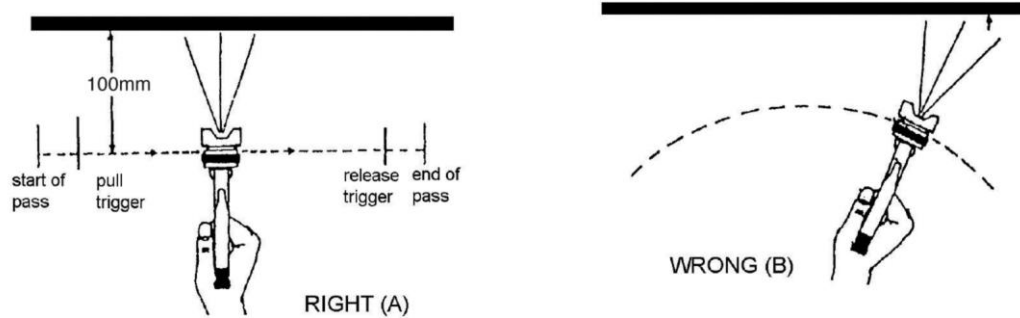
Be sure to move the spray gun at a slow (not too slow), steady speed keeping the distance of the spray gun the same throughout the application. This will ensure perfect results. It is actually very easy. Practice a few times and you will be an expert.

It is best to hold the spray gun in a vertical position when spraying. If you want to change the direction of the mist pattern, rotate the position of the Air Cap (1-2) rather than turning the spray gun on its side.

Pull back on the trigger and move the spray gun (see Proper Spray Technique below). DO NOT WAVE OR TILT the spray gun back and forth in front of your client by bending your wrist. Rather, keep your wrist straight and move your entire arm. Movement should be steady, even and deliberate, keeping your distance the same at all times.

Always store the spray gun in a vertical position. DO NOT ROCK OR TIP.

PROPER SPRAYING TECHNIQUE



(Remember, NO TILTING, STAY LEVEL)

Maintenance

Air Hose

Wipe the air hose daily with a damp cloth and store in a clean dry place.

Spray Gun

It is important to clean your spray gun daily.

At the end of the day or when the equipment will not be used any more, disconnect the spray gun from the air hose.

Carefully unscrew the Cup (35). If there is remaining solution, either close the Cup (35) with a cup lid or pour the remaining solution into a proper storage container.

Rinse the Cup (35) under warm running water until clean.

Fill the Cup (35) to 2oz (50ml) with **MaxiMist MaxiClean Organic Spray Gun Cleaner**. Reconnect spray gun to Air Hose (44). Turn on the turbine. Direct the spray gun to a safe area and spray the spray gun cleaner through the spray gun until the Cup (35) is empty.

Turn off the Turbine. Disconnect the spray gun. Unscrew the Cup (35).

Wipe all exposed areas dry.

Spray Gun Monthly Maintenance

Unscrew and remove the Air Cap Ring (1-1). Rinse the threads under warm running water. Wipe, clean the threads and dry.

Remove the Air Cap (1-2). Rinse under warm running water. Wipe, clean and dry. Apply 2 drops of Gun Lube (43) to the threads before reinstalling the Air Cap (1-2).

Reinstall the pieces you just removed by reversing the removal procedure. Your spray gun should be ready for the next use. The Fluid Nozzle (2) can be removed for additional cleaning if necessary. Removal of the Fluid Nozzle (2) is rarely necessary.

To remove the Needle Assembly (20) unscrew the Fluid Adjusting Knob (22), Remove the Spring (21) and gently slide out the Needle Assembly (20). Rinse under warm running water, clean and dry. Reinstall reversing the removal procedure.

Turbine

The only maintenance your turbine requires is to remove the filter on the bottom of the unit weekly and rinse with warm water, dry and reattach.

Always make sure all spray gun parts are 100% dry before any reassembly! Not doing this will cause oxidation and is not covered under warranty.

Never submerge your spray gun in water.

**Gun - Lifetime Limited Warranty
Turbine – 1 Year to 5 Year Limited
Warranty (depending on model)**

This machine (Turbine Motor) is WARRANTIED by MaxiMist Spray Tanning Systems for a total period of THIRTY SIX MONTHS from the ORIGINAL date of purchase by the ORIGINAL PURCHASER. Proof of purchase to be included and all SHIPPING CHARGES on returns are to be pre-paid. Client is responsible for shipping both the return and the replacement unit.

MaxiMist Spray Tanning Systems upon examination of the machine/equipment will replace or repair at their discretion any defects in material or workmanship.

This WARRANTY does NOT include: misuse, damage, neglect, alterations, disassembled equipment or modifications, lack of maintenance, cleaning, water damage to electrical parts and INCORRECT VOLTAGE CONNECTION. This WARRANTY is in lieu of all other express warranties, any WARRANTY implied by law, including but not limited to implied warranties of merchantability or fitness, is excluded to the maximum extent permitted by law and, if not excludable, it is limited to the duration of the express warranty. No representative or person is authorized to extend this warranty or to create for MaxiMist Spray Tanning Systems any other liability in connection with the sale of any MaxiMist Spray Tanning Systems product. MaxiMist Spray Tanning Systems shall not be liable for any consequential, incidental, or special damages of any kind directly or indirectly resulting from breach of any express or implied warranty. Some States do allow the exclusion of limitation of incidental or consequential damages or limitations on the length of any warranty so that the above limitations and exclusions may not apply to you; however, to the maximum extent permitted under applicable law, the only rights and remedies shall be to obtain a replacement for any defective product. This warranty gives you specific legal rights and you may also have other rights which vary from state to state and country to country.

What's covered?

Turbine Motor – 12-60
months (depends on
model)

Power Switch – 12 months

Pro Gun Manufacturing Defects –Lifetime

Cups and Hose – 90 days

Normal wear and tear parts are not covered

These include:

Turbine Filter
Gland Seals
Gaskets
Springs

YOU HAVE A COMPLETE SPARE PARTS PACKAGE INCLUDED WITH ALL NECESSARY NORMAL REPLACEMENT PARTS, DO NOT LOSE THIS PACKAGE!

[Be Sure To Register Your Products Warranty @ maximistspraytan.com/pages/warranty](https://www.maximistspraytan.com/pages/warranty)

In the event you experience a problem with your Maximist system please contact our customer support service team between 8.00am and 5.00pm EST at 727-834-9435 or email support@maximistspraytan.com

MaxiMist Spray Tanning Systems
15134 Citrus Country Dr, Dade City ,Fla 33523
(727) 234-1943
sales@maximistspraytan.com