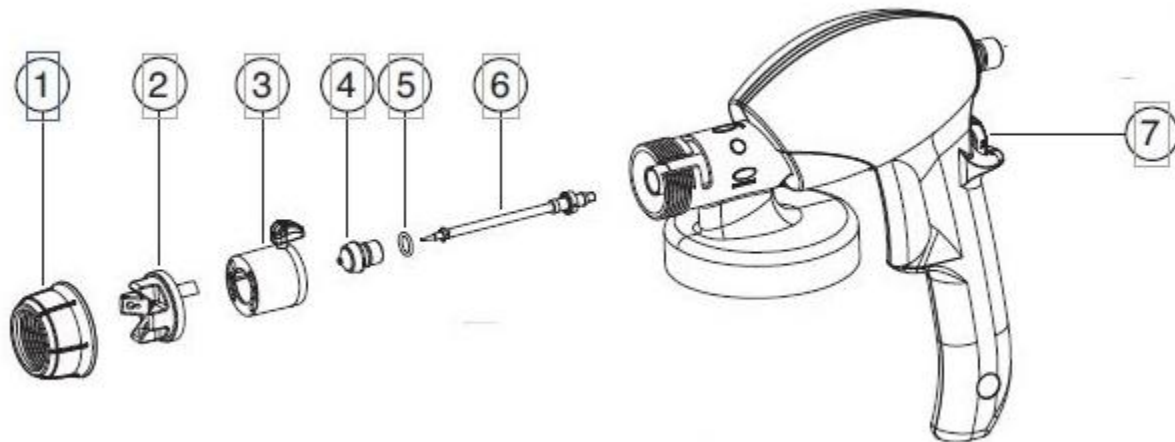


## Helia Gun Reset/Reassembly Steps



1. Remove Part #1 Air cap Ring. Set aside
2. Remove Part #2 Air Cap. Set aside
3. Remove Part#3 Air Direction Plate. Set aside
4. Do not remove Parts # 4, 5 and 6.
5. Adjust Part # 7 Solution Flow Adjustment Dial to the #1 setting by moving the dial down (#1 should be visible at dial top, tic mark should be hidden)
6. Pull the trigger and do not let go until step 11, very important!
7. With slight pressure, confirm that Part # 4 Spray Nozzle is pushed all the way in.
8. Insert Part# 3 Air Direction Plate, move knob to up position or 12:00 o'clock
9. Hold the gun up (do not release trigger) and insert Part # 2 Air Cap
10. Attach Part #1 Air cap Ring, tighten finger tight. **DO NOT OVERTIGHTEN.**
11. Release the trigger, you will notice it does not move
12. The Solution Flow Adjustment Dial should stop when you adjust it completely up or down from 1-8
13. Adjust Part # 7 Solution Flow Adjustment Dial to the #8 setting by moving the dial up.
14. Pull the trigger, you will now notice the trigger moves freely.
15. Fill cup with solution
16. Test Spray Gun
17. Gun is now reset. Readjust Part # 7 Solution Flow Adjustment Dial until you achieve a 4 inch wide spray width holding the Spray Gun 4 inches away from the surface.