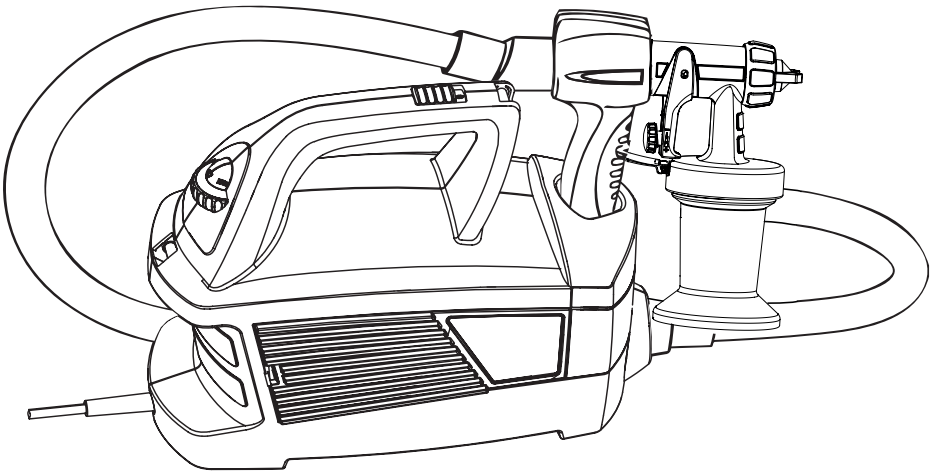


MaxiMist™

**Evolution TNT HVLP ST687
Spray Tanning System
With “Twist N Tan” Spray Gun**



Instruction Manual and Users Guide

US

Contents

1. Explanation of symbols used	1
2. Field of application	1
3. Important Safety Instructions	1
4. Processable materials	4
5. Non-processable materials	4
6. Preparation of the spray area	5
7. General preparations before the application of spray tanning solution	5
8. Preparation of the skin	5
9. Start-up	5
10. Operation	6
11. Tips on using the spray tanning system	7
12. After application of the spray tanning solution	8
13. Cleaning the spray tanning system	8
14. Maintenance	10
15. Storage	10
16. Spare parts	10
17. Correction of Malfunctions	12

Congratulations on purchasing a MaxiMist™ Spray Tanning System. This product has been specially designed to provide an efficient application of tanning solution products.

Take a minute to read and understand how to operate your new MaxiMist™ system and you will be able to provide the perfect tan with every application.



Read all safety information before operating the equipment. Save these instructions.

1. Explanation of symbols used

	<p>Indicates a hazardous situation which, if not avoided, could result in death or serious injury.</p>
	<p>Indicates tips for use and other particularly useful information.</p>

2. Field of application


The MAXIMIST™ Spray Tanning System has been specifically developed for the professional application of liquid spray tanning solution. Any application other than that described in this operating manual is not permitted.

3. Important Safety Instructions



To reduce the risks of fire or explosion, electrical shock and the injury to persons, read and understand all instructions included in this manual. Be familiar with the controls and proper usage of the equipment.

- DO NOT use the spray guns to spray flammable substances.
- DO NOT clean spray guns with flammable solvents.
- There must be no sources of ignition such as open fires, smoke of lit cigarettes, cigars and tobacco pipes, sparks, glowing wires, hot surfaces, etc. in the vicinity during spraying.
- Caution against dangers that can arise from the sprayed substance and observe the text and information on the containers or the specifications given by the substance manufacturer directly or via a SDS (Safety Data Sheet).
- DO NOT spray any liquid of unknown hazard potential.
- **ATTENTION!** Spray tanning solutions do not generally offer any protection against sunburn. Repeated unprotected contact with the sun increases the risk of skin cancer, skin aging and other harmful effects.
- This Spray Tanning System is intended for use by persons 14 years and over.

- DO NOT let children play with the Spray Tanning System.
- NEVER leave spray tanning system unattended.
- Stay alert and watch what you are doing.
- DO NOT operate the unit when fatigued or under the influence of drugs or alcohol.
- Follow all appropriate local, state, and national codes governing ventilation, fire prevention, and operation.
- The United States Government Safety Standards have been adopted under the Occupational Safety and Health Act (OSHA). These standards, particularly part 1910 of the General Standards and part 1926 of the Construction Standards should be consulted.
- NEVER direct the spray gun at animals.
- Ensure that the spray area is well ventilated.
- DO NOT breathe in spray tanning solution. Wearing nasal plugs and operating an extraction fan designed for the purpose is recommended.
- DO NOT spray into the eyes.
- If spray tanning solution is sprayed into the eyes, wash them out with water immediately and consult a doctor.
- DO NOT spray spray tanning solution into open wounds or onto damaged skin.
- Cover your hair when spraying your face. Otherwise bleached hair in particular could be stained by the spray tanning solution.
- NEVER immerse the Spray Tanning System into water.
-  **WARNING!** NEVER use your Spray Tanning System near bath tubs, shower trays or other receptacles that contain water.
- NEVER place the Spray Tanning System near a washbasin or another water source. Water always represents a hazard even when the system is switched off.
- NEVER expose the equipment to rain.
- DO NOT use outdoors or operate where aerosol (spray) products are being used.
- NEVER drop or insert any object into any opening or hose.
- NEVER block air openings of the spray turbine.
- Keep electrical cord plug and spray gun trigger free from liquids. NEVER hold the cord at plug connections to support the cord. Failure to observe may result in an electrical shock.
- Keep cord away from heated surfaces.
- NEVER operate spray tanning system if cord or plug is damaged.
- As additional protection, the installation of a circuit protective device such as ALCI or GFCI is recommended. Ask your installer for advice.
- Connect to a grounded outlet and use grounded extension cords.
- DO NOT use a 3 to 2 adapter.
- Unplug turbine before cleaning any parts.
- Use only manufacturer authorized parts. User assumes all risks and liabilities when using parts that do not meet the minimum specifications and safety devices of the turbine manufacturer.

- NEVER open the Spray Tanning System yourself to carry out electrical repairs!
- DO NOT place the spray gun on its side, as material could leak out.

Grounding Instructions

This product must be grounded. In the event of an electrical short circuit, grounding reduces the risk of electric shock by providing an escape wire for the electric current. This product is equipped with a cord having a grounding wire with an appropriate grounding plug. The plug must be plugged into an outlet that is properly installed and grounded in accordance with all local codes and ordinances.

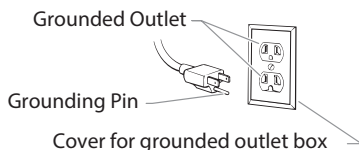


WARNING - Improper installation of the grounding plug can result in a risk of electric shock.

If repair or replacement of the cord or plug is necessary, do not connect the green grounding wire to either flat blade terminal. The wire with insulation having a green outer surface with or without yellow stripes is the grounding wire and must be connected to the grounding pin.

Check with a qualified electrician or serviceman if the grounding instructions are not completely understood, or if you are in doubt as to whether the product is properly grounded. Do not modify the plug provided. If the plug will not fit the outlet, have the proper outlet installed by a qualified electrician.

This product is for use on a nominal 120 volt ac circuit and has a grounding plug that looks like the plug illustrated below. Make sure that the product is connected to an outlet having the same configuration as the plug. No adapter shall be used with this product.



Important Electrical Information

Use only a 3-wire extension cord that has a 3-blade grounding plug and a 3-slot receptacle that will accept the plug on the product. Make sure your extension cord is in good condition. When using an extension cord, be sure to use one heavy enough to carry the current your product will draw. An undersized cord will cause a drop in line voltage resulting in loss of power and overheating. A SJT type cord is required. Cord shall be 14 AWG minimum for general indoor use.

SAVE THESE INSTRUCTIONS

4. Processable materials

Liquid spray tanning solution



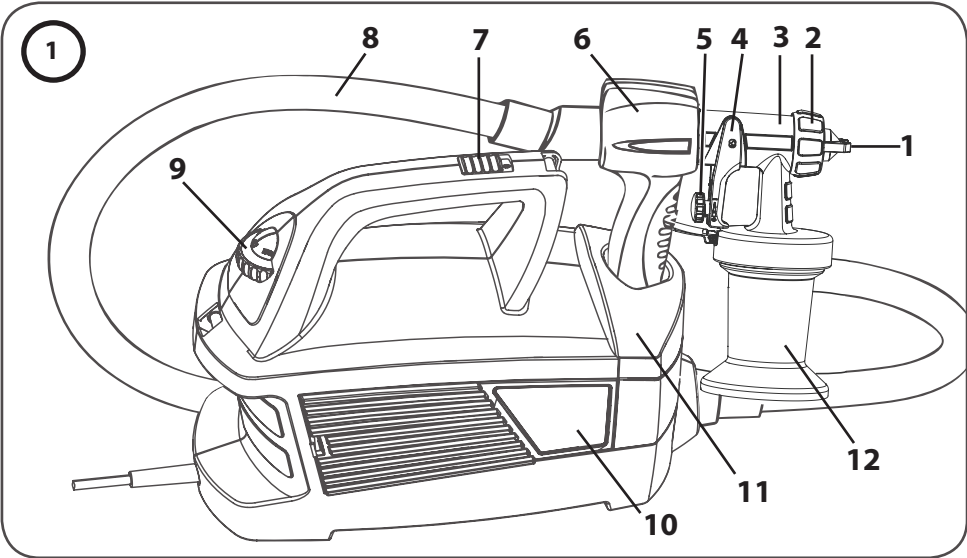
Only use spray tanning solution up to the expiry date specified on the package. means, for example, that the substance can be used for 12 months after opening. Actual date of opening needs to be noted by the user and marked on the container or package.



5. Non-processable materials

All materials not approved for skin treatment

Description (Fig. 1)	
1) Air cap /Nozzle	2) Union nut
3) Spray attachment (3 pc.)	4) Trigger
5) Material volume regulation	6) Gun handle
7) ON/OFF switch	8) Air hose
9) Air volume control	10) Cover of air filter compartment
11) Gun holder	12) Container
13) Service kit (suction tube, container seal, 2 air filters and lubricant)	



6. Preparation of the spray area

- Remove all objects from the spray area if possible, to avoid contamination from overspray.
- Work in a room with a smooth, easy-to-clean surface.
The use of a spray booth/spray tent and tanning extraction fan is recommended.

7. General preparations before the application of spray tanning solution



Test the compatibility of the spray tanning solution on a small patch of skin approx. 24 hours before the actual application.
Stop application if skin irritation occurs.

- Approx. 24-48 hours prior to treatment remove body hair by shaving or waxing.
- Do not apply any perfume, deodorant or make-up. These products can negatively influence the tanning result.
- On the day of the treatment wear dark, loose-fitting clothing, in order to prevent discoloration of clothing by the spray tanning solution.
- Remove all jewelry, in order to avoid discoloration by the spray tanning solution.

8. Preparation of the skin



Correct preparation of the skin is key to an even and long lasting tanning result. Please note the following instructions:

- Remove all dead skin cells by means of exfoliation before applying the spray tanning solution.
- Make sure that the moisture content of the skin is as uniform as possible.
Use barrier cream for dry areas (e.g. elbows and knees). Let the moisturizer dry before commencing the treatment.
- Apply a little balm to lips, nails, palms of the hands, eyebrows and the hairline for protection.

9. Start-up

Before connecting to the power supply, be sure that the supply voltage is identical with the value given on the rating plate.

1. Unscrew the container from the spray attachment.
2. Prepare spray tanning solution according to manufacturer's instructions and pour into the container.
3. Screw the container firmly onto the spray attachment.

4. Connect the front part of the gun and the gun handle to each other. (Fig. 2)
5. Mount the air hose (Fig. 3, a + b).
6. Place the turbine only on a flat and clean surface. Otherwise, the turbine may suck in dust, etc.
7. Slide the ON/OFF switch to "I". (Fig. 4)

10. Operation

How the Spray Tanning system is handled, including preparation of the work place and spray tanning solution as well as the final result, is the sole responsibility of the operator.

Spray Tan Direct excludes any liability for damage which may arise from overspray, application errors, touch-ups, or non-compliance with the instructions provided here.

- Turn the material control (Fig. 5, 1), in order to adjust the desired delivery rate.

lower material volume (-):

→ turn anti-clockwise

higher material volume (+):

→ turn clockwise

Your goal is a 4 inch wide spray pattern spraying 4 inches away.

- Turn the air volume control (Fig. 6), in order to optimize the atomization and reduce overspray.

less air (-): → turn anti-clockwise

more air (+): → turn clockwise

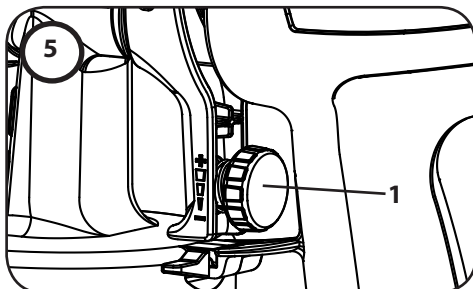
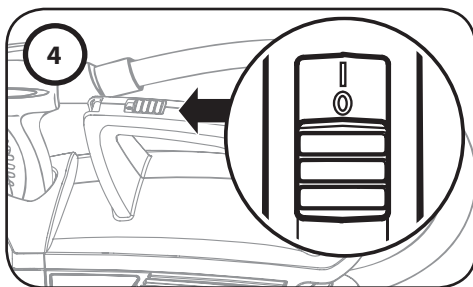
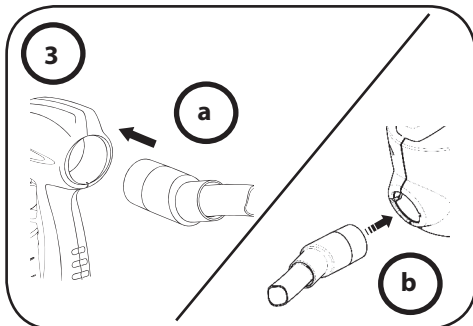
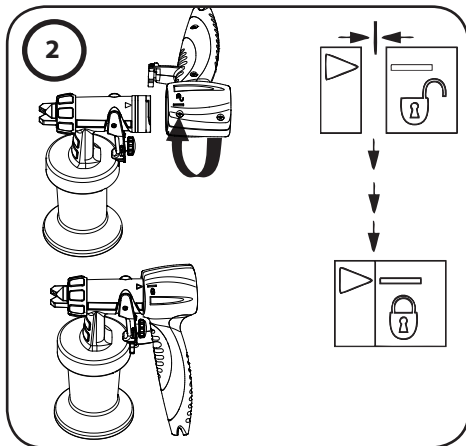
- Turn the air cap (Fig. 7, 1) with the union nut (2) slightly unscrewed, to adjust the shape of the spray jet:

Fig. 8a vertical flat jet:

For spray movements from left to right

Fig. 8b horizontal flat jet:

For spray movements from top to bottom



- Pull the trigger to spray the tanning solution.

11. Tips on using the spray tanning system



Before commencing application, check that all necessary protective measures (nasal plugs, hair covering) have been taken.



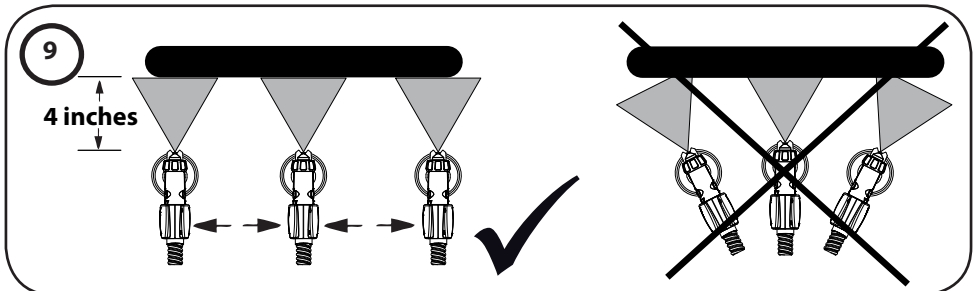
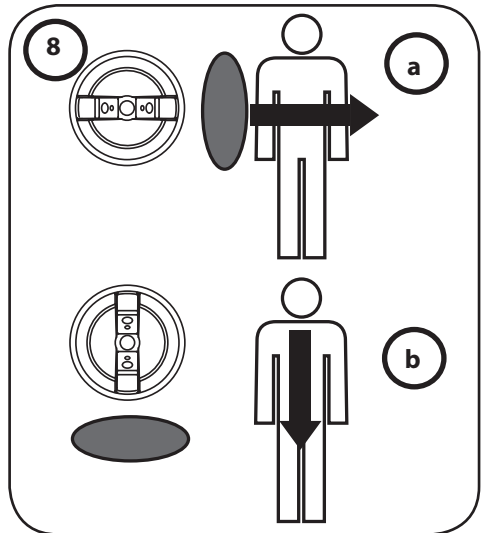
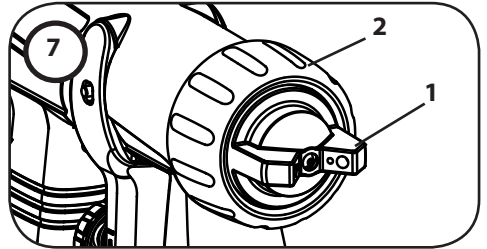
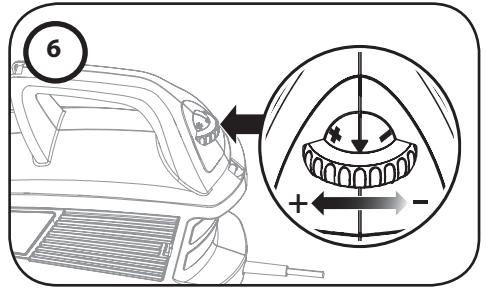
Practice on a large piece of newspaper or cotton towel first in order to find the optimal settings for the spray tanning solution used.

- If a tanning extraction fan is available, place in the near vicinity of spraying and switch on.
- Avoid interruptions during the spray movement. Maintain a constant pace.
- The spray movement should come from the arm, not just from the wrist. This ensures that a uniform distance is maintained between the spray gun and the body during the spray operation.

Fig. 9 a: CORRECT even distance

Fig. 9 b: INCORRECT uneven distance will result in uneven tanning

- **Move the spray gun at an even speed.**
- When tanning is complete, switch off turbine and any tanning extraction fan (if used) after fumes/mist have cleared.



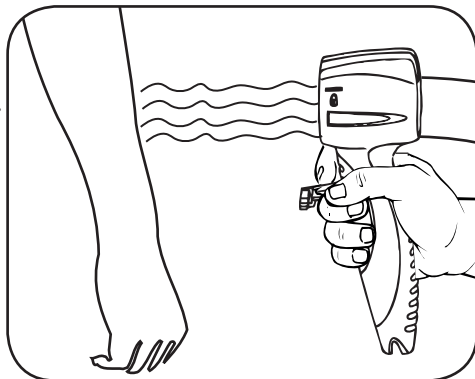
12. After application of the spray tanning solution

i The full tanning effect develops during the first 24 hours after the treatment.

- Allow the spray tanning solution to dry for 5-10 minutes before getting dressed again.

i You can also use the air from the air hose to accelerate the drying process of the spray tanning solution. To do this, simply remove the spray attachment from the handle and switch the system on.

- Do not shower or bathe in the first 6-8 hours after application, as this will affect the tanning result. This will vary depending on the tanning solution used.
- Prolonged hot baths and showers should be avoided, in order to maintain the tanning effect for as long as possible. **Daily moisturizing of the skin is also recommended.**



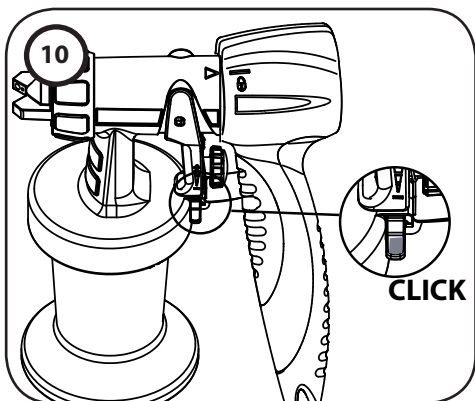
13. Cleaning the spray tanning system

i Clean the Spray Tanning System as required at the end of the working day. Dried spray tanning solution makes cleaning more difficult and can even damage the system.

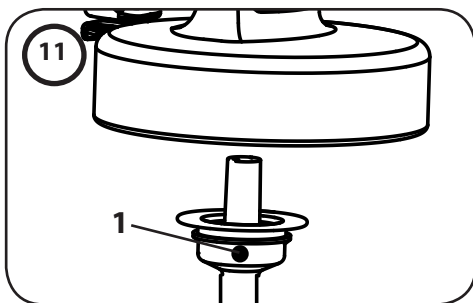
- 1) Turn the system off and unplug.
- 2) Divide the spray gun. Press the hook (Fig. 10 "click") slightly downwards. Turn the gun front part and gun rear part against each other.
- 3) Unscrew the container.
- 4) Pour any remaining spray tanning solution back into the original packaging.
- 5) Clean the container and feed tube with a brush.
- 6) Clean the ventilating bore (Fig. 11, 1).
- 7) Pour 2 fl. oz of MaxiClean Spray Gun Cleaner into the container. Screw the container back on.

Do not use flammable materials for cleaning purposes.

- 8) Assemble the gun again.

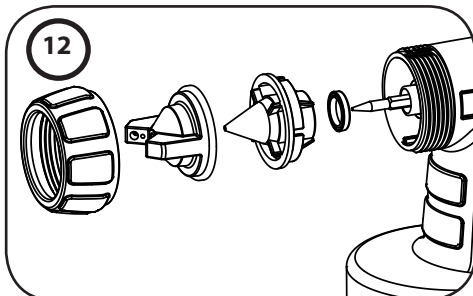


- 9) Turn on the system and spray the cleaner into a sink or a cloth.
- 10) Fill container with 2 fl. oz of water, spray until empty.
- 11) Repeat the above procedure until the water emerging from the nozzle is clear.
- 12) Turn off the system and divide the spray gun.
- 13) Unscrew the container and empty it. Pull out the feed tub with container seal.



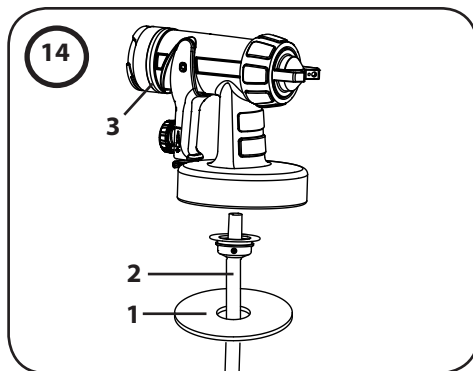
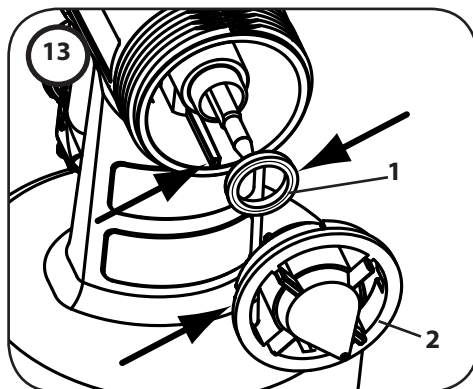
CAUTION! NEVER clean seals, nozzles or air holes of the spray gun with metal objects.

- 14) Unscrew the union nut and remove the air cap and nozzle (Fig. 12). Clean the air cap, nozzle seal and nozzle with a brush and water.
- 15) Clean the outside of the spray gun and container with a cloth soaked in water.
- 16) Assemble the parts again (see "Assembly").



Assembly

- 1) Slide the nozzle seal (Fig. 13, 1) with the groove (slot) facing forwards into the nozzle (2).
- 2) Put the nozzle onto the gun body and find the correct position by turning it.
- 3) Put the air cap onto the nozzle and tighten it using the union nut.
- 4) Place the container seal (Fig. 14, 1) from below on the feed tube (2) and slide it over the collar, while turning the container seal slightly.
- 5) Insert the feed tube with container seal in the gun body.

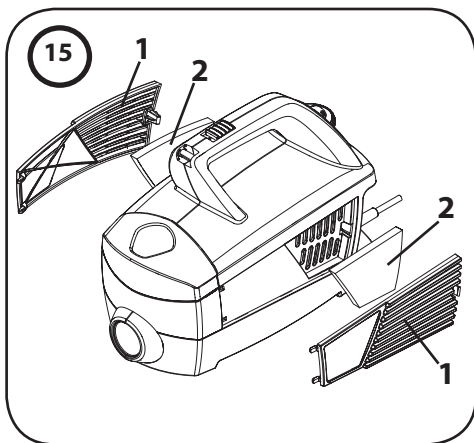


14. Maintenance

Important! NEVER operate the system without the air filter; dirt could be sucked in and interfere with the function of the system.

- 1) Change the air filter if it is soiled (check daily).
- 2) Open the cover of the air filter compartment (Fig. 15, 1).
- 3) Replace both air filters (Fig. 15, 2).
- 4) Close the cover of the air filter compartment.

In order to mount the gun more easily apply lubricating grease (enclosed) liberally to the O-ring at the spray attachment (Fig. 14, 3).



15. Storage

Store unit away in a safe place with cord wrapped around unit without any twisting.

16. Spare parts



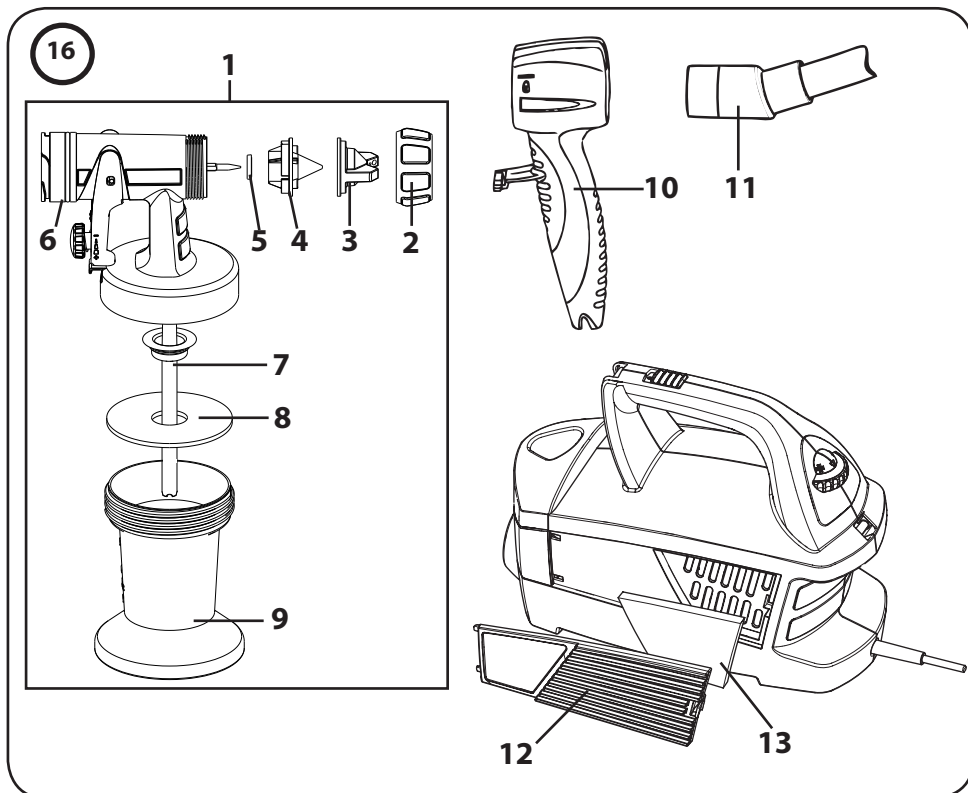
**This unit contains no user servicable electrical parts.
DO NOT attempt to service unit yourself.**

Spare Parts List (Fig. 16)

Pos.	Designation	Order No.
1	Spray attachment complete with 6.75 fl. oz container	2334 403
2	Union nut	2334 405
3	Air cap	2334 407
4	Nozzle	2334 409
5	Nozzle seal	0417 706
6	O-ring of spray attachment	2334 411
7	Feed tube	2334 413
8	Container seal	2323 039
9	Container with cover 6.75 fl. oz	2334 417
10	Gun handle	2334 880
11	Air hose	230 3410

Spare Parts List (Fig. 16)

12	Cover of air filter compartment (right and left)	2347 844
13	Air filter (2 pcs.)	2318 585
	Lubricant	2315 539



17. Correction of Malfunctions

Malfunction	Cause	Remedy
No spray tanning solution comes out of the nozzle	<ul style="list-style-type: none"> • Nozzle clogged • Material volume setting turned too far anticlockwise • No pressure build-up in container • Container empty • Feed tube loose • Feed tube clogged 	<ul style="list-style-type: none"> → Clean → Turn material volume setting to clockwise → Tighten container → Refill → Insert → Clean
Spray tanning solution drips out of the nozzle	<ul style="list-style-type: none"> • Spray tanning lotion has accumulated on the air cap, nozzle or needle • Nozzle loose • Nozzle seal worn • Nozzle worn 	<ul style="list-style-type: none"> → Clean → Union nut tighten → Change → Change
Atomisation too coarse	<ul style="list-style-type: none"> • Material volume setting turned too far clockwise • Nozzle contaminated • Too little pressure build-up in container • Air filter heavily soiled • Amount of air too low 	<ul style="list-style-type: none"> → Turn material volume setting anticlockwise → Clean → Tighten container → Change → Increase air volume
Uneven spray pattern	<ul style="list-style-type: none"> • Spray tanning solution in the container is running out • Nozzle seal worn • Air filter heavily soiled 	<ul style="list-style-type: none"> → Refill → Replace → Replace
Excessive overspray	<ul style="list-style-type: none"> • Distance too large • Material volume setting turned too far clockwise • Amount of air too high 	<ul style="list-style-type: none"> → Reduce distance → Turn material volume setting anticlockwise → Reduce air volume
Spray tanning solution runs down body	<ul style="list-style-type: none"> • Too much spray tanning solution applied • Spray paths overlap too much • Spraying distance too small or spray movement too slow 	<ul style="list-style-type: none"> → Carefully dab affected points with a towel, reduce flow setting if required and lightly overspray again

Malfunction	Cause	Remedy
System no longer functions during use	<ul style="list-style-type: none"> • System overheated 	→ Unplug the power plug, let the system cool down approx. 30 minutes, do not bend the hose, check the air filter, do not cover the intake slots

Technical Data

Power source:	120 V ~, 60 Hz
Current:	4.5 A
Protection class:	I
Sound pressure level:	79 dB (A); Uncertainty K = 4 dB
Sound pressure output:	92 dB (A); Uncertainty K = 4 dB
Oscillation level:	< 8.2 ft/s ² ; Uncertainty K = 4.9 ft/s ²
Air hose length:	11.5 ft
Container capacity:	6.75 fl. oz
Weight:	approx. 7.2 lbs

Environmental protection



The appliance and accessories should be recycled in an environmentally friendly way. Do not dispose of the appliance with household waste. Support environmental protection by taking the appliance to a local collection point or obtain information from a specialist retailer.

MaxiMist™**12 Month Limited warranty****2 Year Turbine Motor warranty**

This machine and equipment is guaranteed by Spray Tan Direct for a total period of TWELVE MONTHS from the ORIGINAL date of purchase by the ORIGINAL PURCHASER. Proof of purchase to be included and all SHIPPING CHARGES on returns are to be pre-paid. Client is responsible for shipping both the return and the replacement unit.

Spray Tan Direct upon examination of the machine/equipment will replace or repair at their discretion any defects in material or workmanship.

This WARRANTY does NOT include: misuse, damage, neglect, alterations, disassembled equipment or modifications, lack of maintenance, cleaning, water damage to electrical parts and INCORRECT VOLTAGE CONNECTION. This WARRANTY is in lieu of all other express warranties, any WARRANTY implied by law, including but not limited to implied warranties of merchantability or fitness, is excluded to the maximum extent permitted by law and, if not excludable, it is limited to the duration of the express warranty. No representative or person is authorized to extend this warranty or to create for Spray Tan Direct any other liability in connection with the sale of any Spray Tan Direct product. Spray Tan Direct shall not be liable for any consequential, incidental, or special damages of any kind directly or indirectly resulting from breach of any express or implied warranty.

Some States do allow the exclusion of limitation of incidental or consequential damages or limitations on the length of any warranty so that the above limitations and exclusions may not apply to you; however, to the maximum extent permitted under applicable law, the only rights and remedies shall be to obtain a replacement for any defective product. This warranty gives you specific legal rights and you may also have other rights.

What's covered?

1. The turbine motor for 24 months.
2. The power switch on the turbine unit.
3. Leaking container and spray guns.

PLEASE CONTACT YOUR DEALER FOR ALL WARRANTY AND SUPPORT ISSUES

For a great application technique visit www.hvlptanning.com

Spray Tan Direct 11920 31st Ct N St.Petersburg,
Fla 33716 727-834-9435