

PRINT & APPLY

# FLEX PRINT E SERIES

## PRINT AND APPLY LABELER

Designed to print labels both on the fly and stationary to maximize productivity.



### TECHNICAL FEATURES

- 4.5 inch Onboard Display
- Max print Width: 4 in (104mm) - 6 in (168mm)
- Inner Core Diameter: 1.7 in (45mm) - 2.99 in (76mm)
- Max Outer Spool Diameter: 11.8 in (300mm)
- Network Connectivity: Ethernet Connect, RS232, USB
- Universal 4" and 6" Label Pad
- Direct or Thermal Transfer Printing
- Plant Air Required
- Air Regulator and Product Sensor Included

PRINT & APPLY

# FLEX PRINT E SERIES

"PRINT AND APPLY" MACHINES FOR  
STOPPING AND MOVING PRODUCTS

### OPTIONS:

FULLY ADJUSTABLE SYSTEM STAND 54" & 72"

CLEAR LABEL SENSOR UPGRADE

SHAFT ENCODER

ALERT LIGHT

NICELABEL SOFTWARE

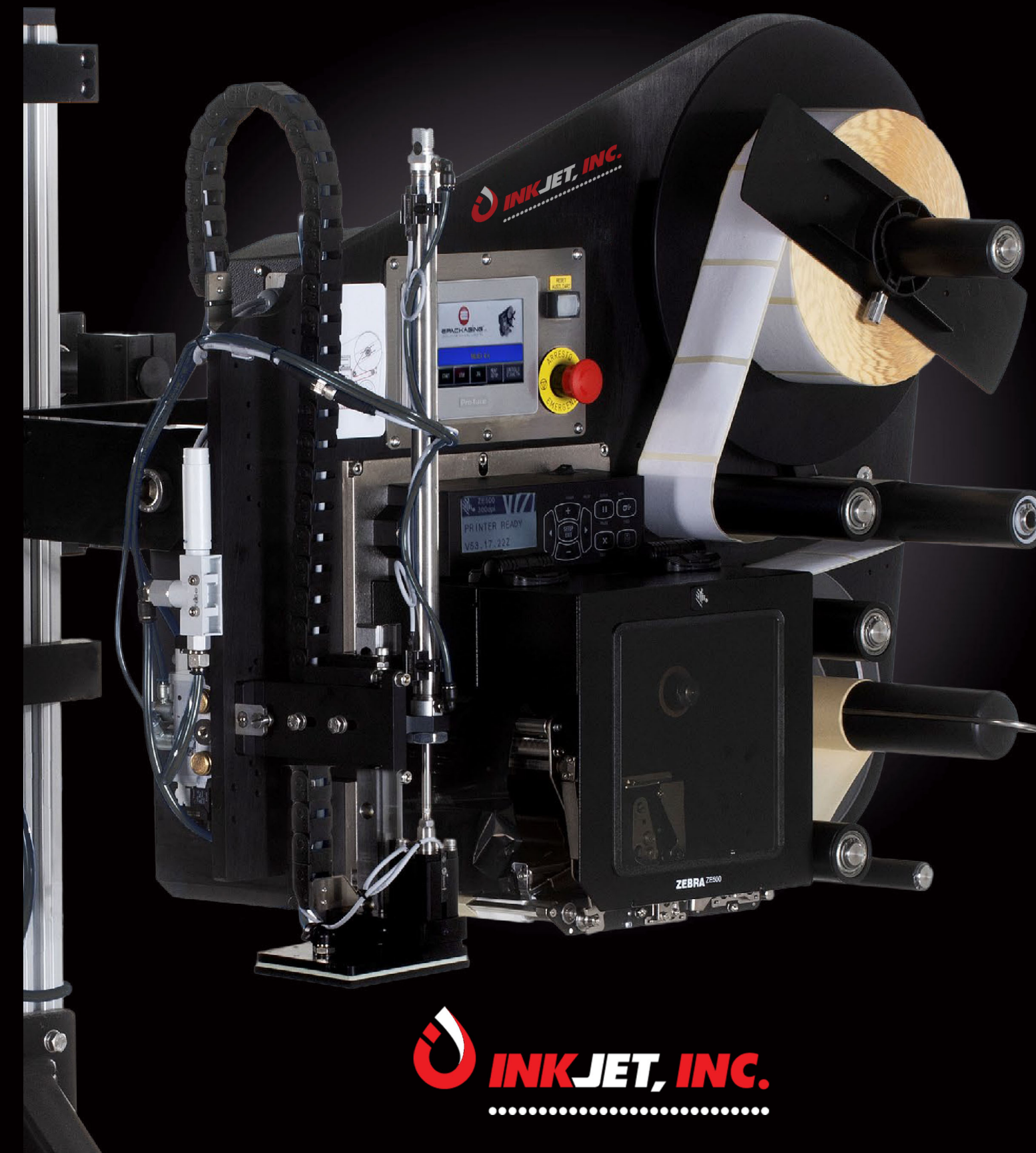
BOX HEIGHT DETECTION SENSOR

BLUETOOTH

WIFI



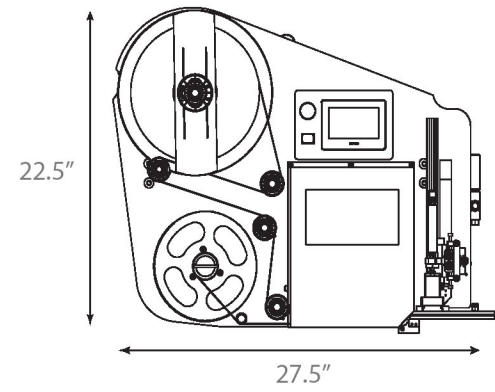
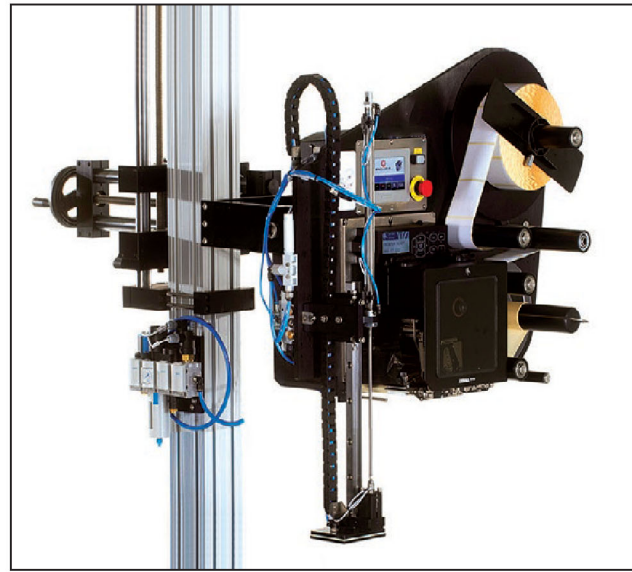
11111 InkJet Way, Willis, Texas 77378  
Tel. +(936) 228-4599 | (800) 280-3245  
salesadmin@inkjetinc.com | www.inkjetinc.com



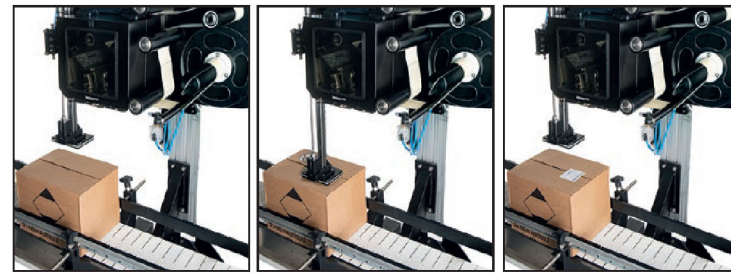


# FLEX PRINT E N

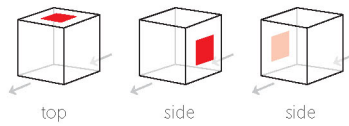
SIDE OR TOP APPLICATION



FLEX PRINT E N IN ACTION

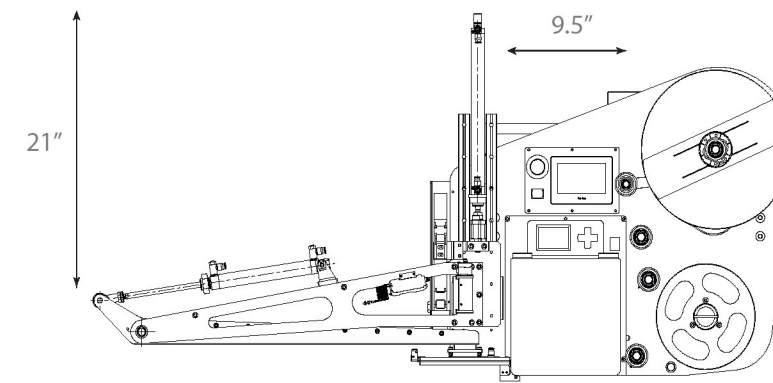
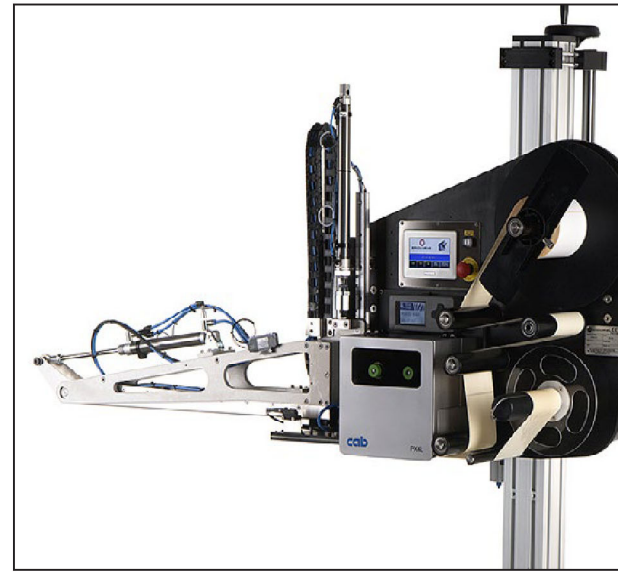


LABELS APPLICATION

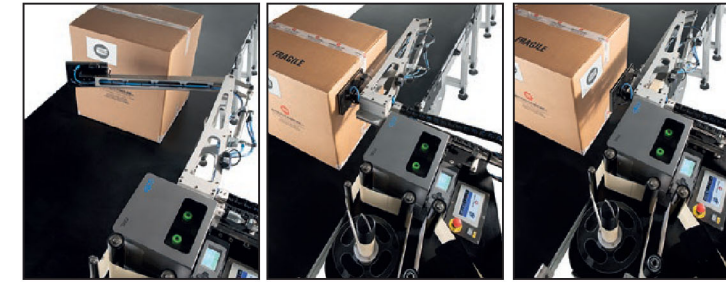


# FLEX PRINT E F/L

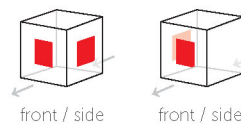
PRINT & APPLY FOR FRONT OR SIDE APPLICATION ON MOVING PRODUCT



FLEX PRINT E F/L IN ACTION

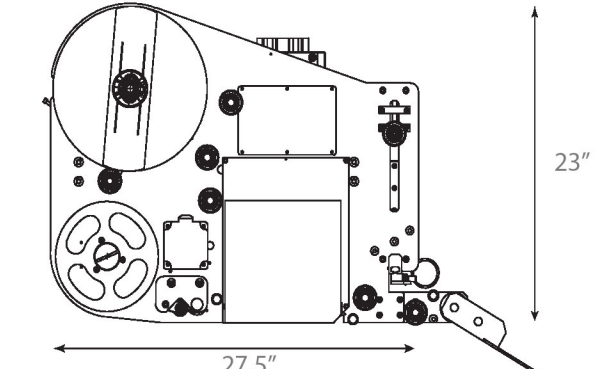
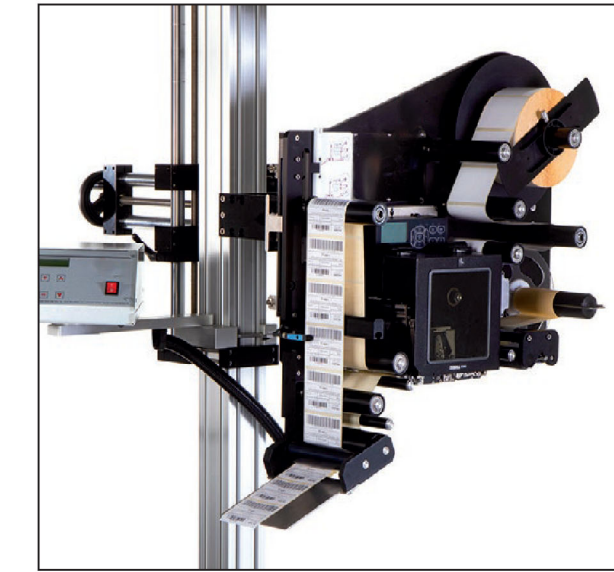


LABELS APPLICATION

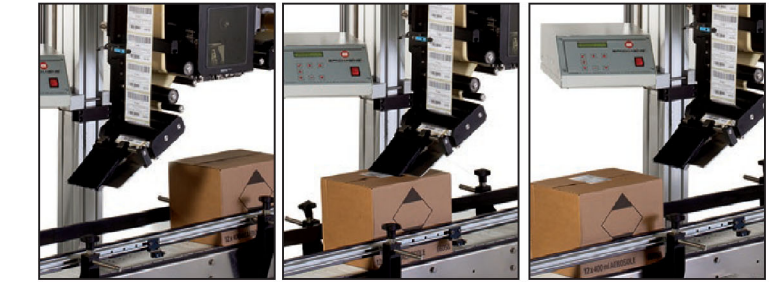


# FLEX PRINT E POWER

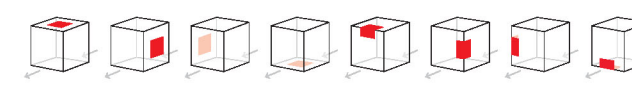
FOR MOVING PRODUCT; WIPE ON APPLICATION FOR HIGH SPEED



FLEX PRINT E POWER IN ACTION

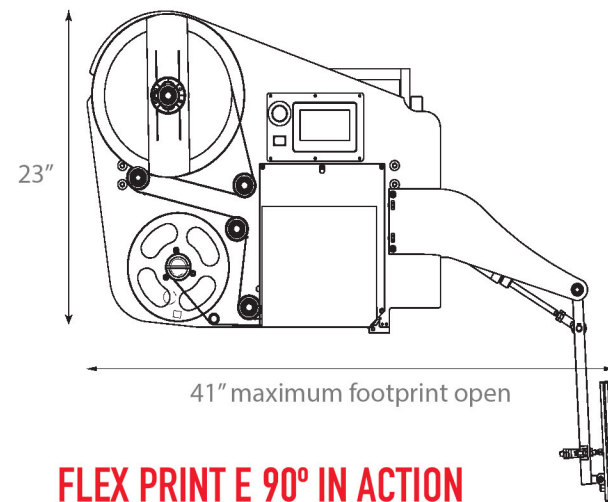
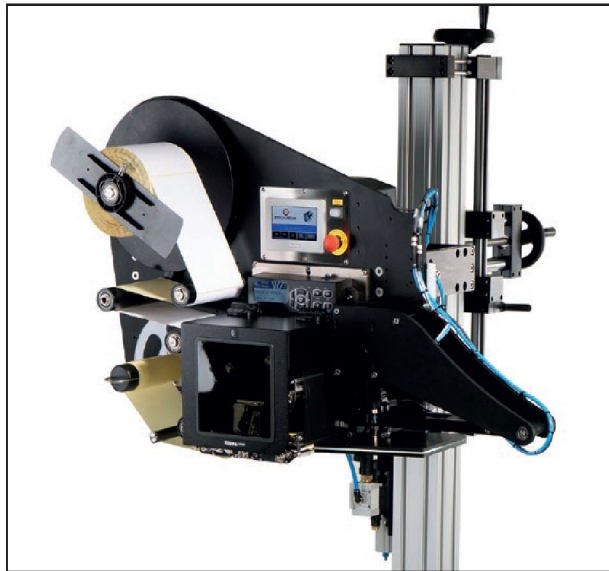


LABELS APPLICATION

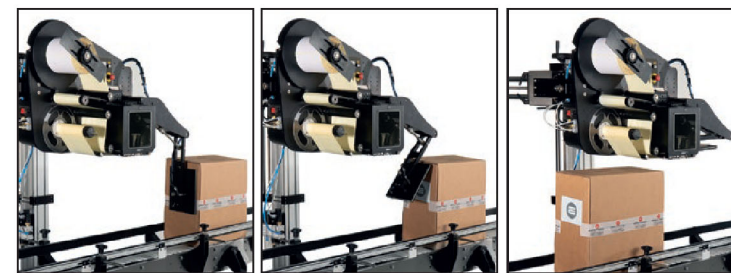


# FLEX PRINT E 90°

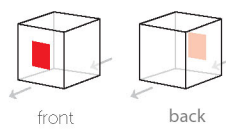
FRONT OR BACK APPLICATION



FLEX PRINT E 90° IN ACTION

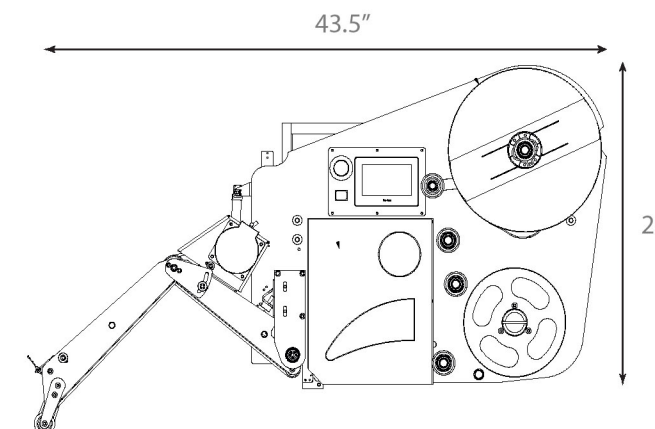
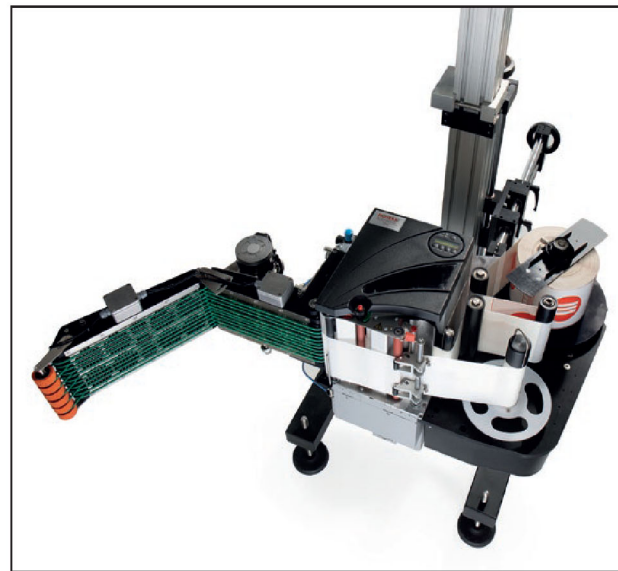


LABELS APPLICATION

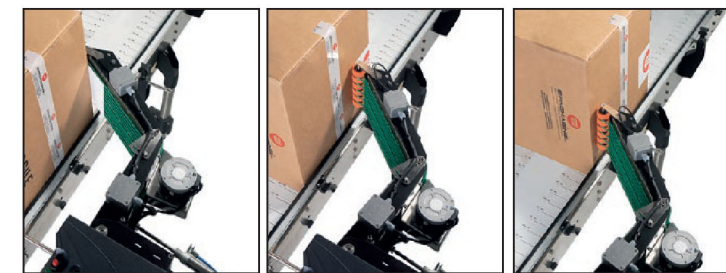


# FLEX PRINT E CORNER

PRINT & APPLY FOR CORNER APPLICATION ON STOPPING OR MOVING PRODUCT



FLEX PRINT E CORNER IN ACTION



LABELS APPLICATION

