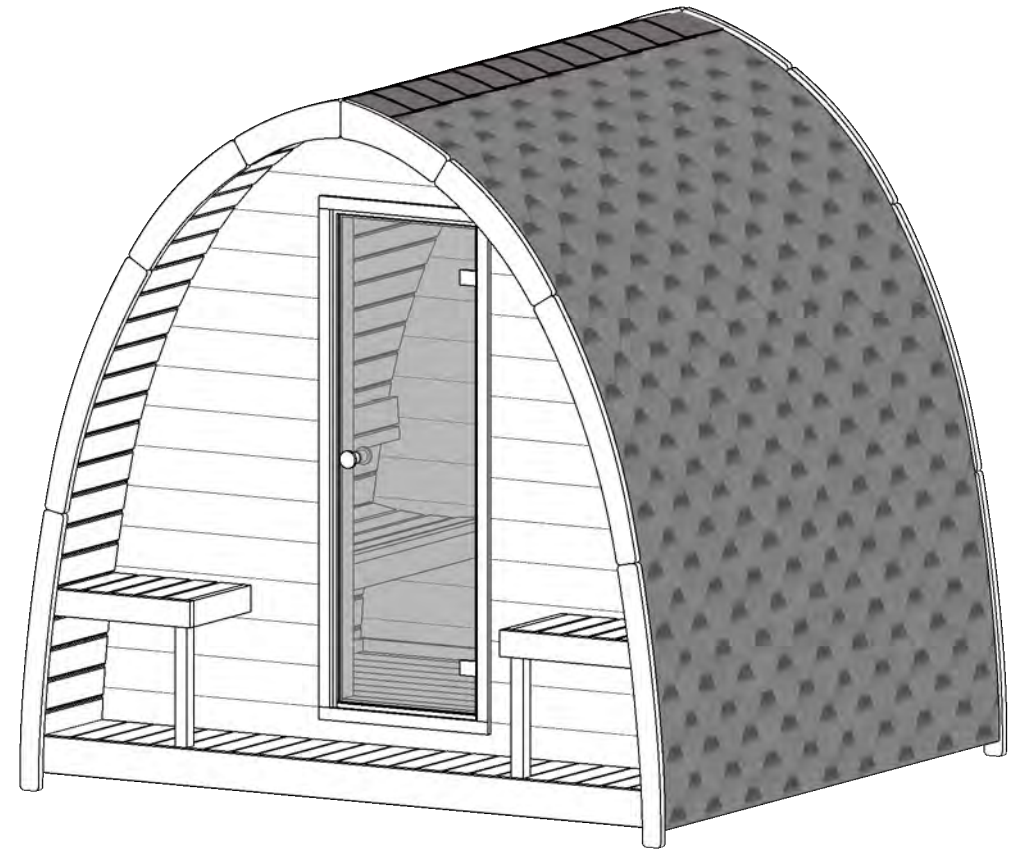
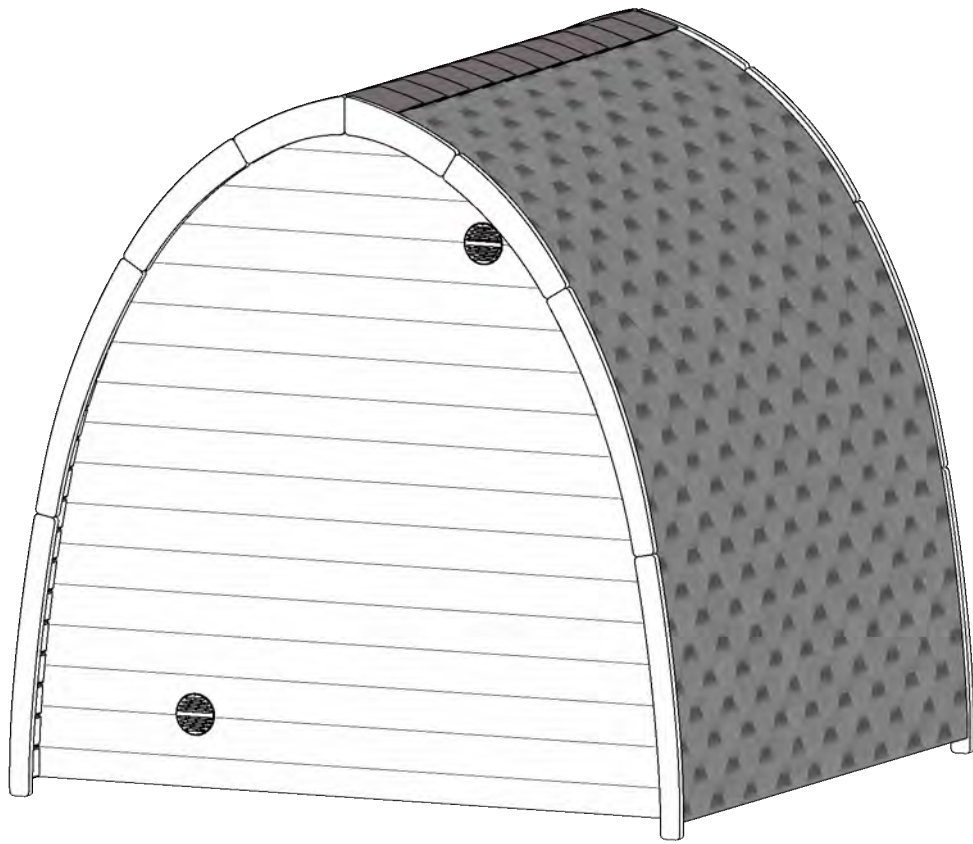


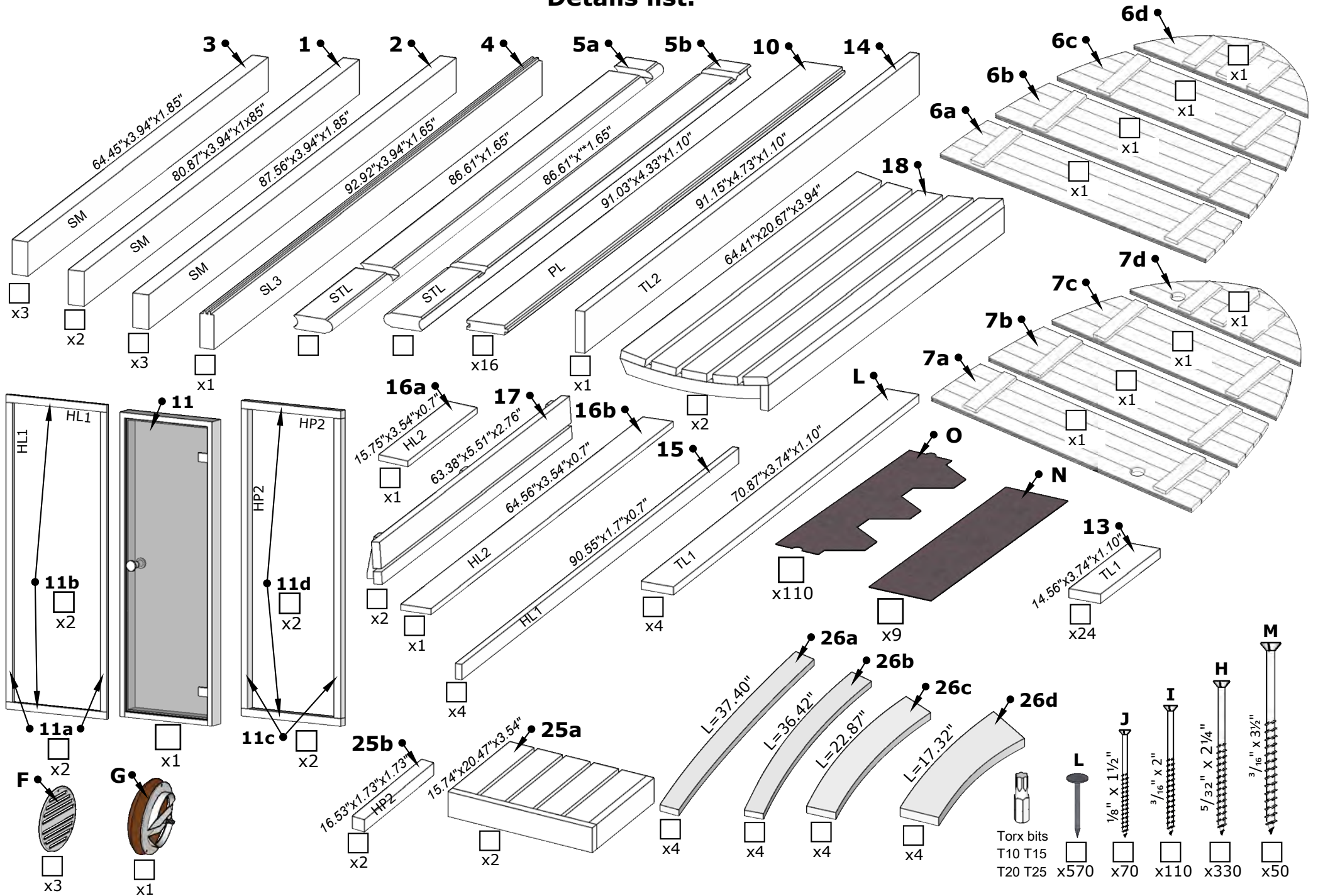


## Garden-Series G3 Outdoor Sauna

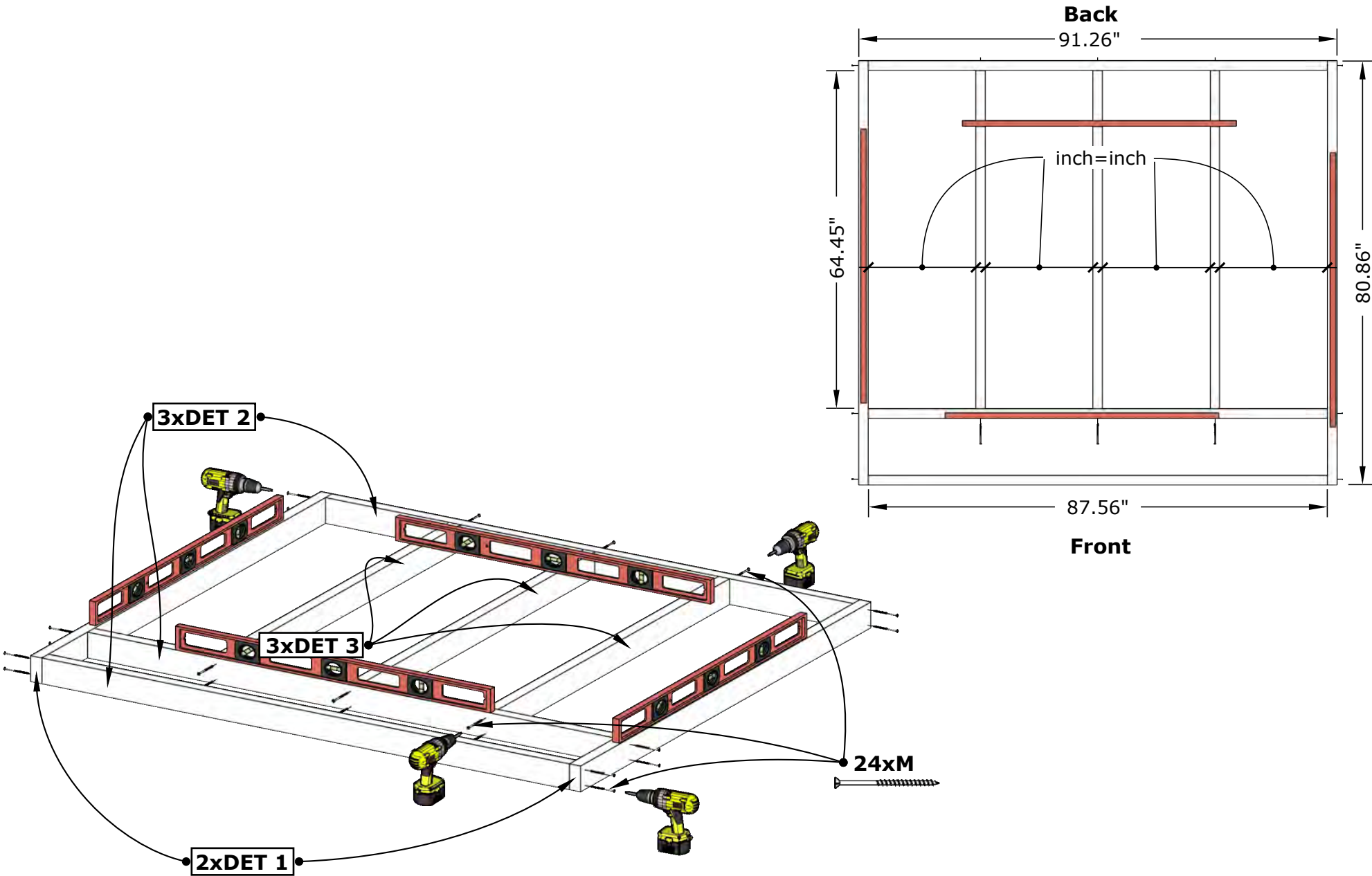


# G3 Outdoor Sauna

## Details list.

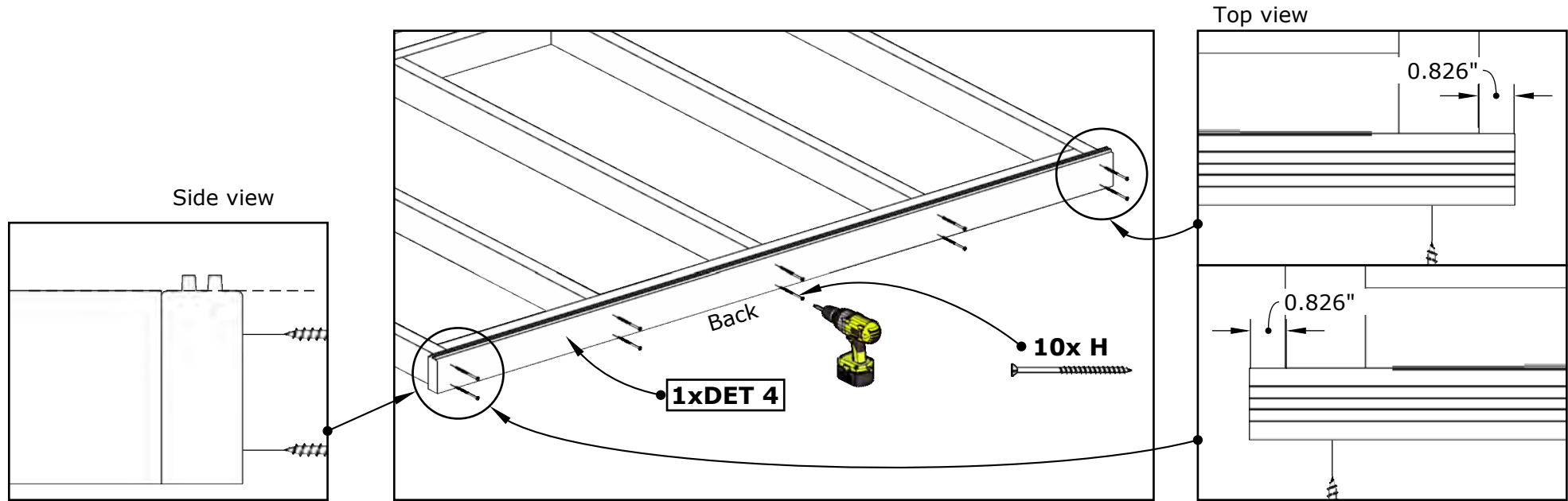


# G3 Outdoor Sauna

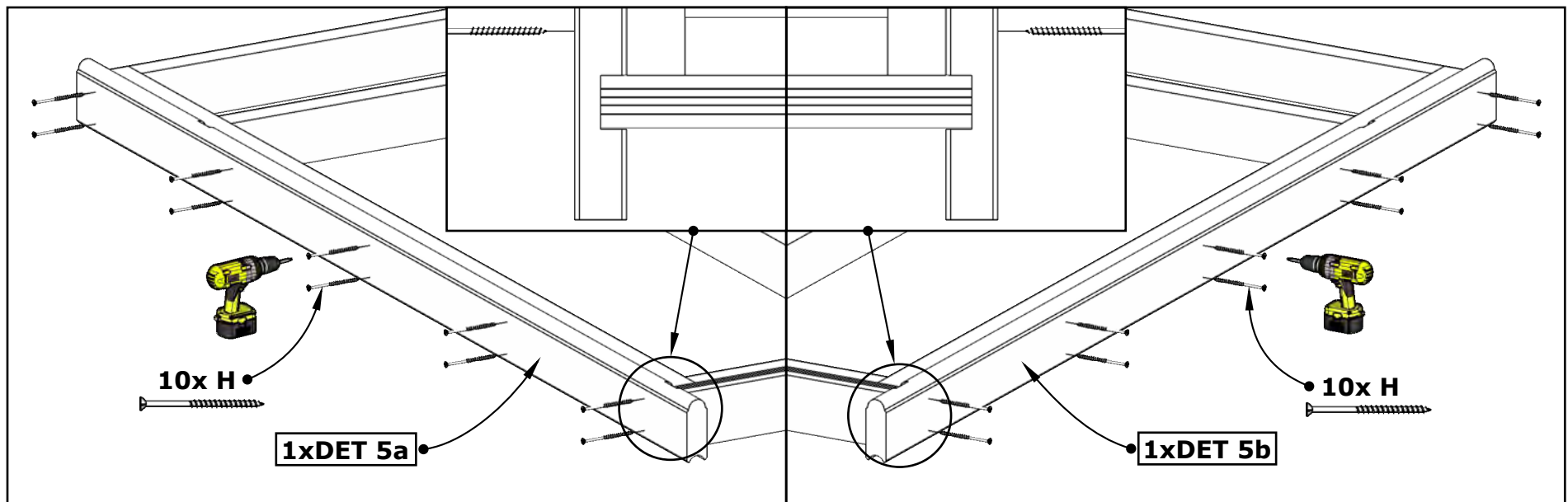


1. I

# G3 Outdoor Sauna



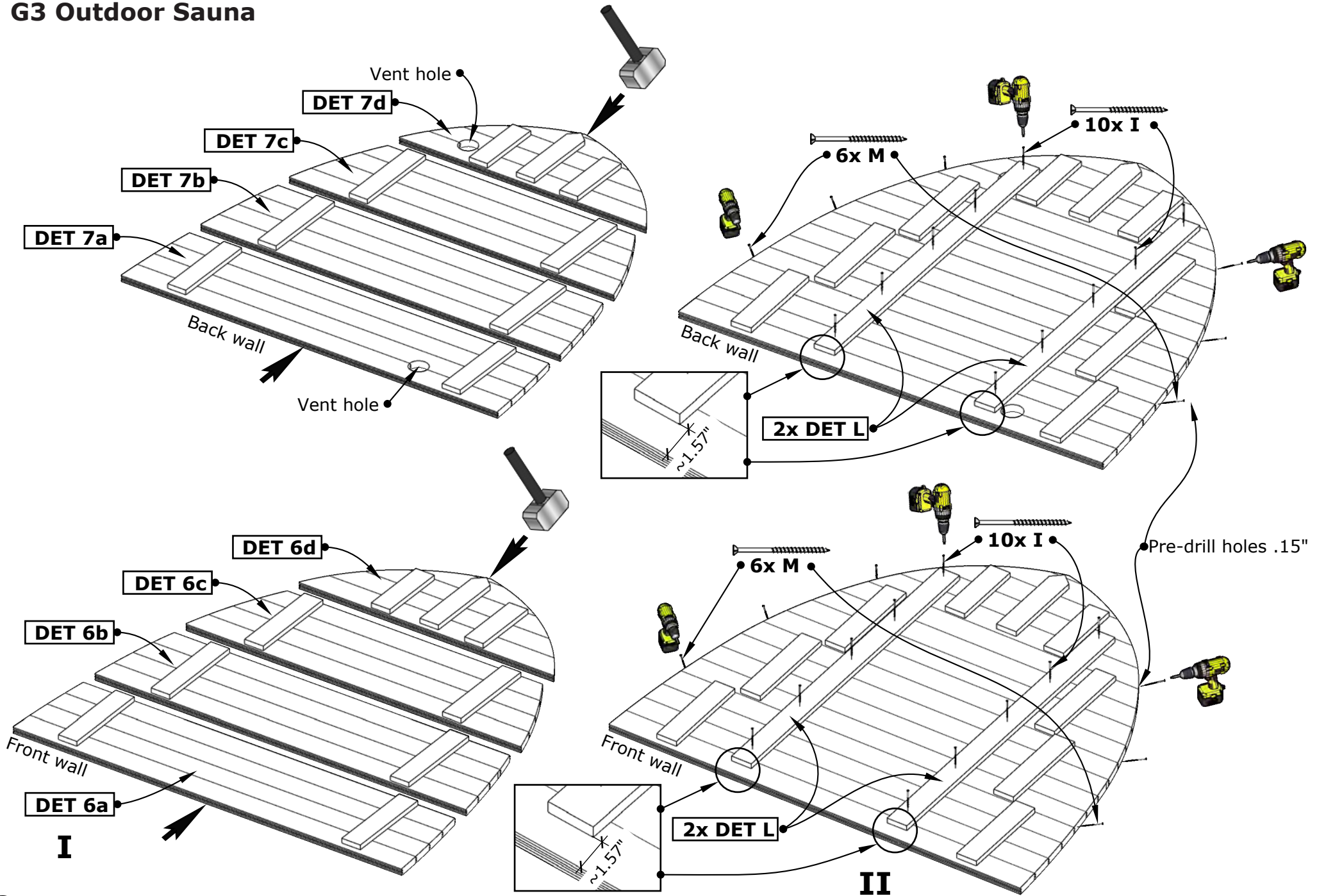
**I**



**II**

**2.**

# G3 Outdoor Sauna



3.

# G3 Outdoor Sauna



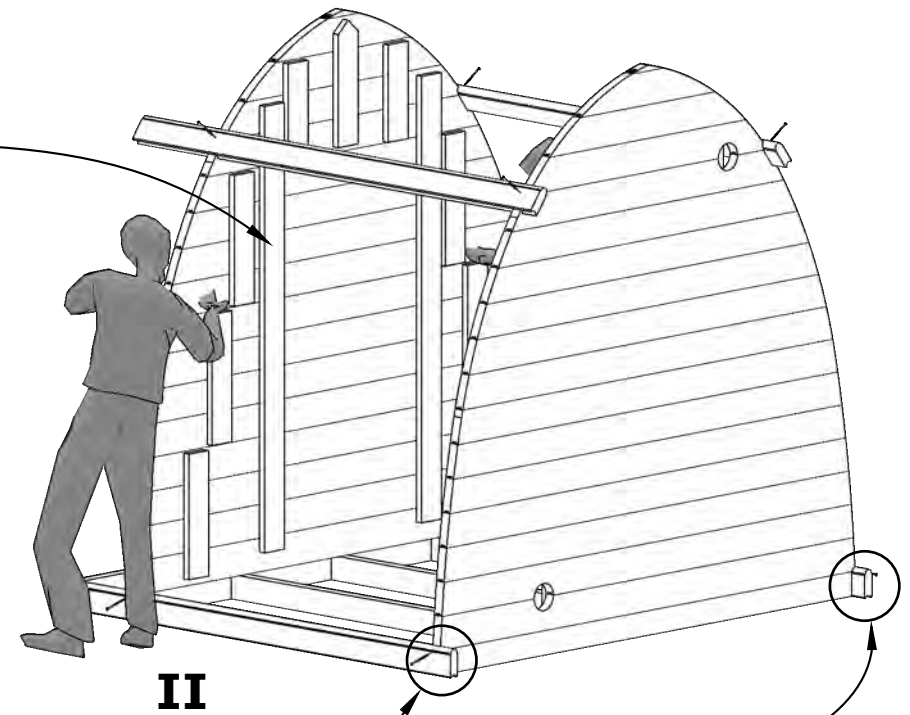
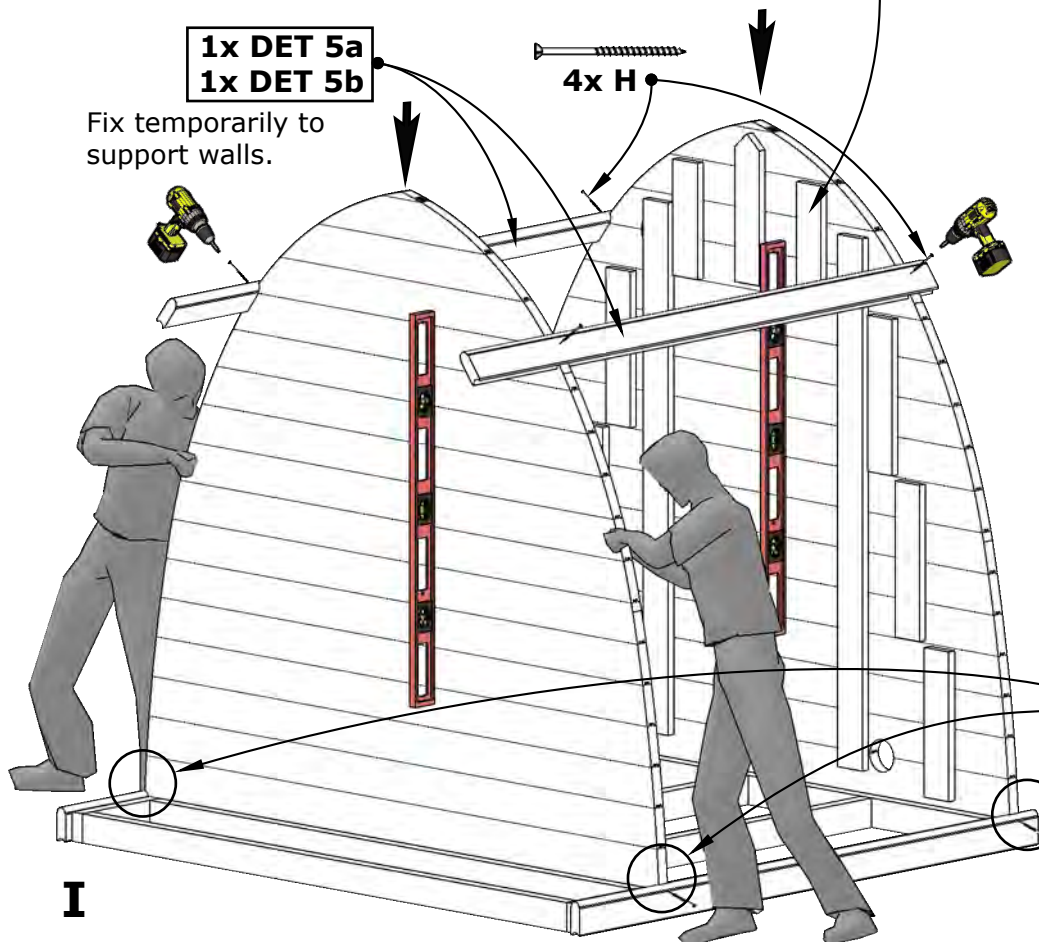
Use water level!

1x DET 5a  
1x DET 5b

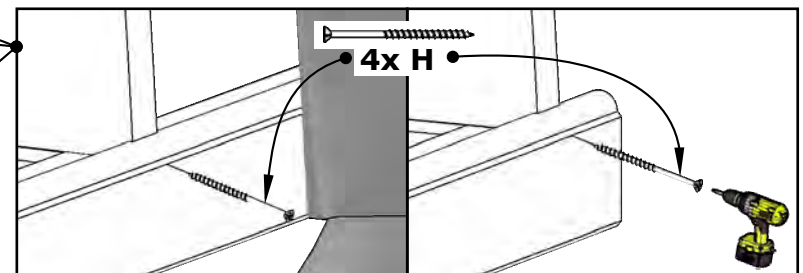
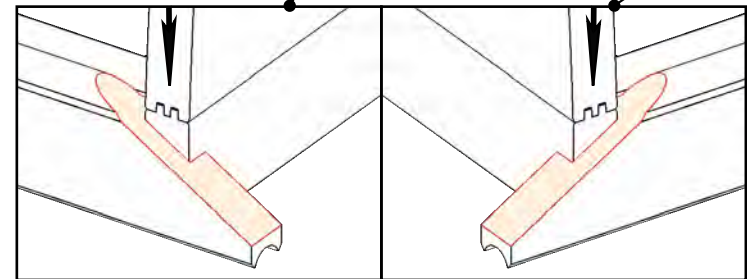
Fix temporarily to support walls.

4x H

Brackets inside

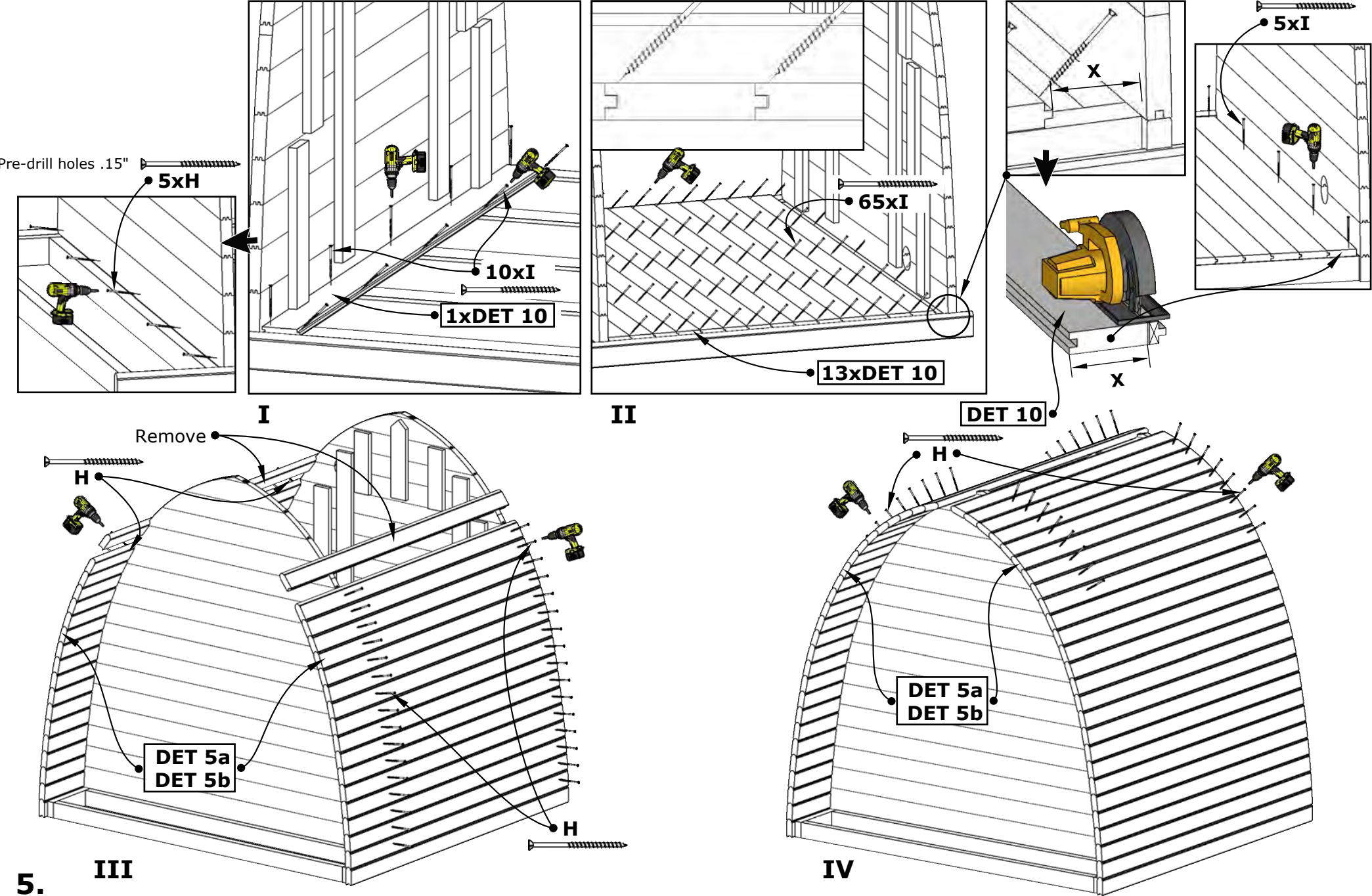


Pre-drill holes .15"

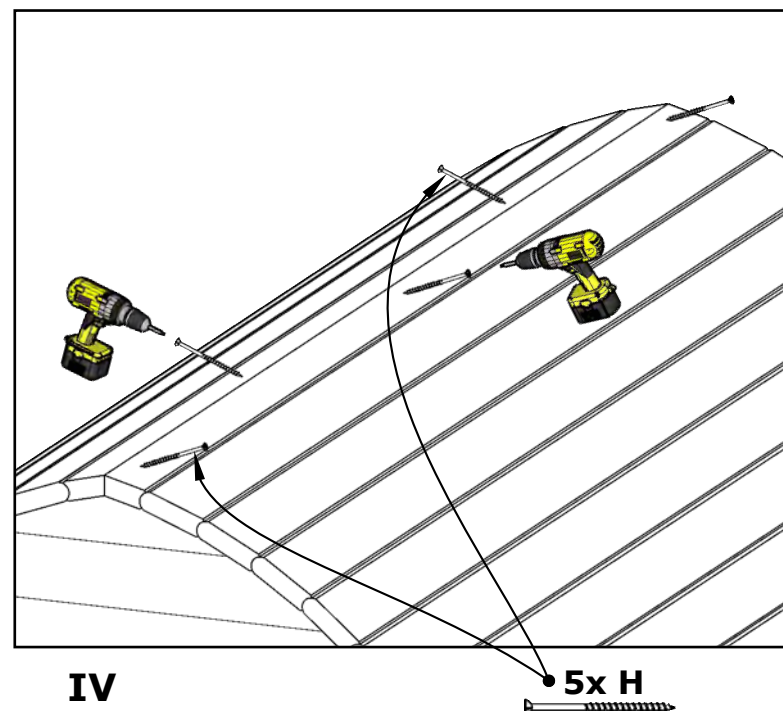
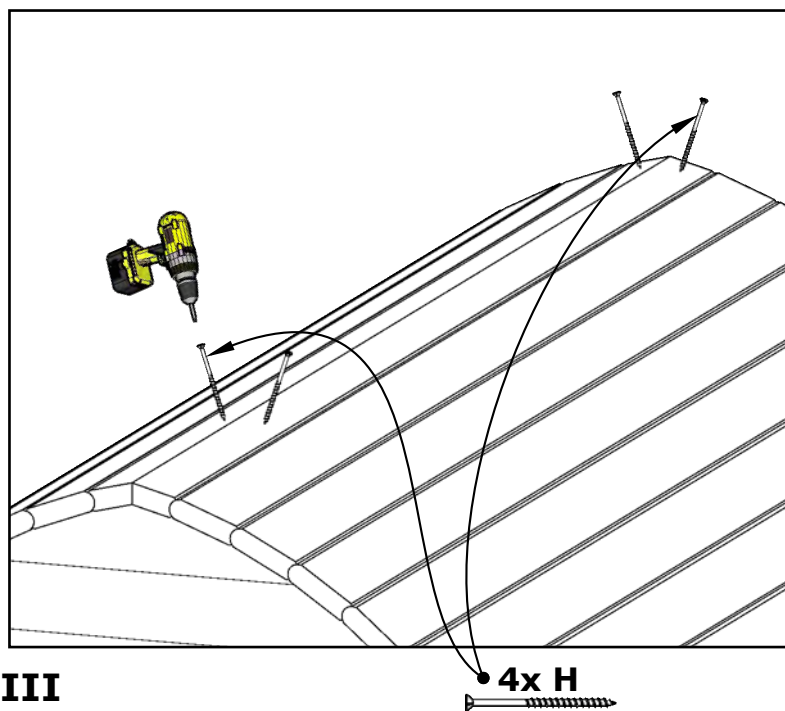
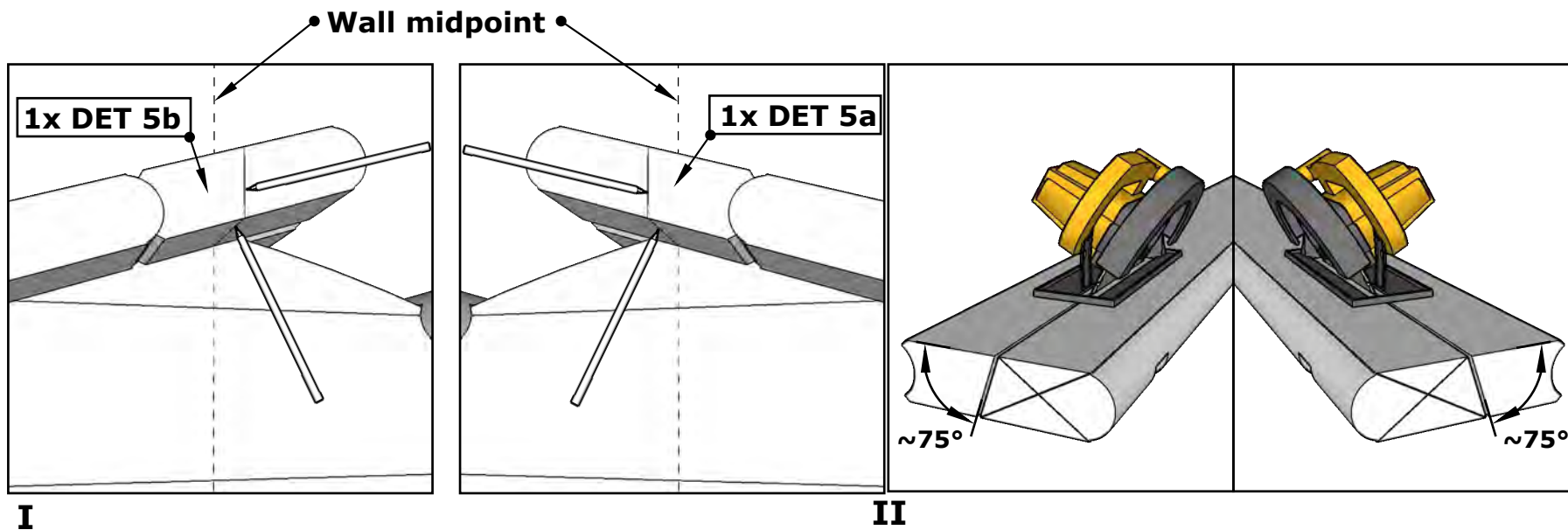


4.

# G3 Outdoor Sauna



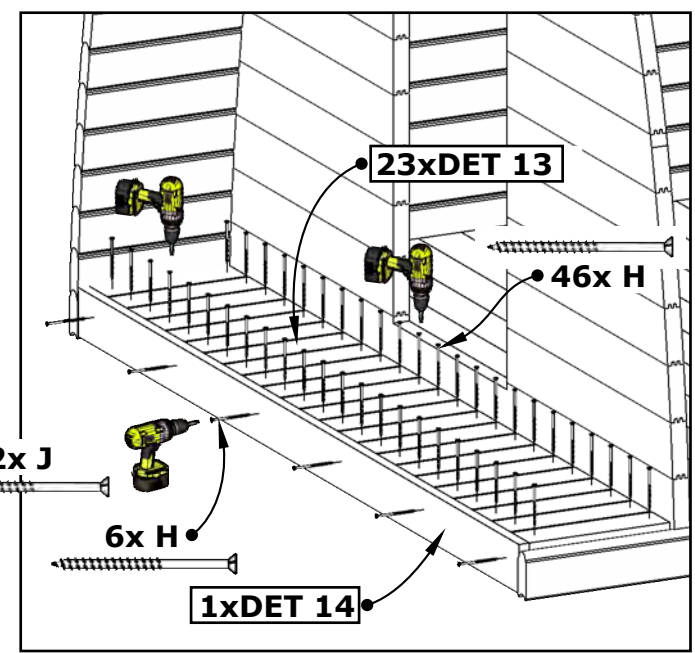
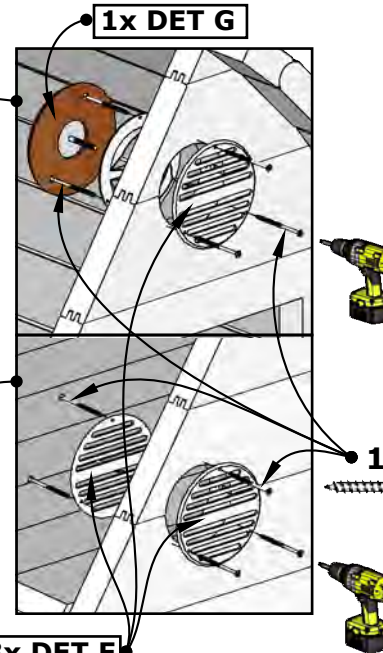
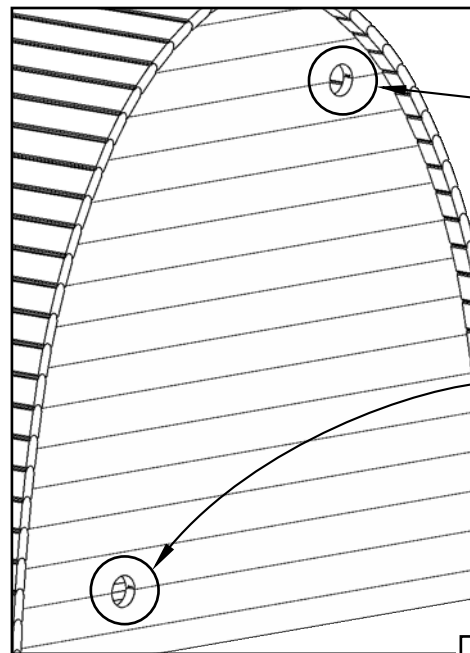
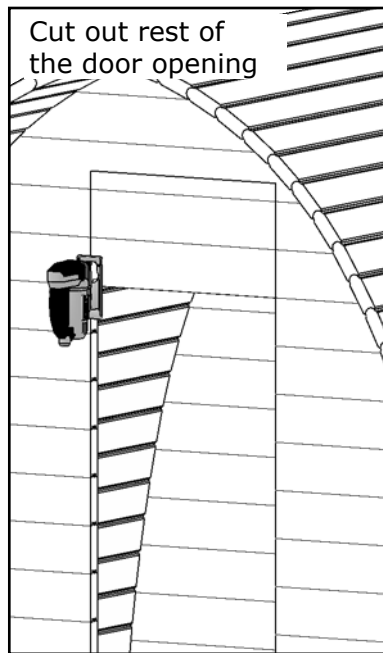
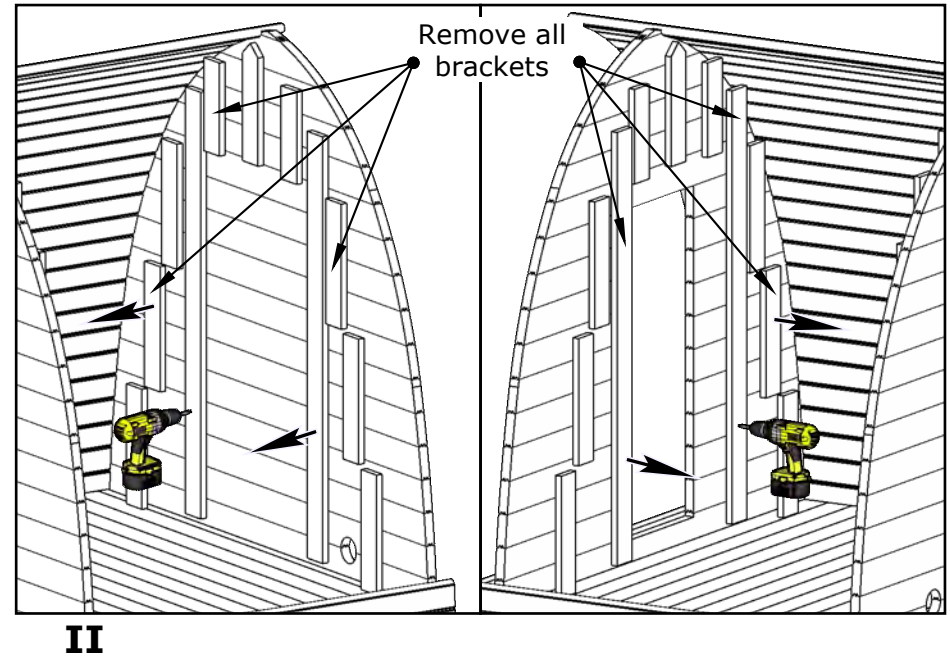
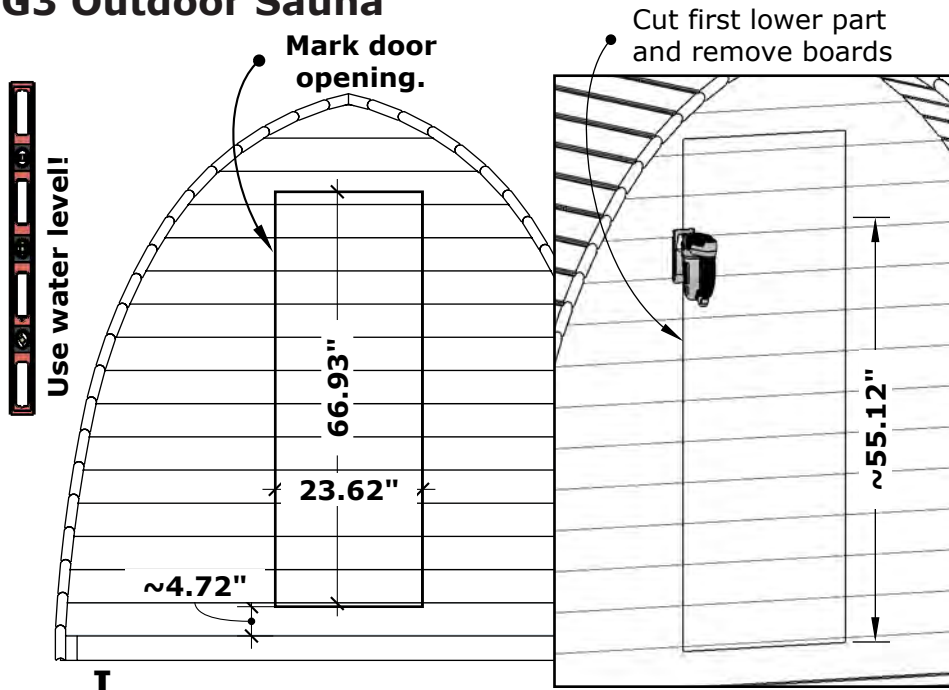
# G3 Outdoor Sauna



6.



# G3 Outdoor Sauna



7.

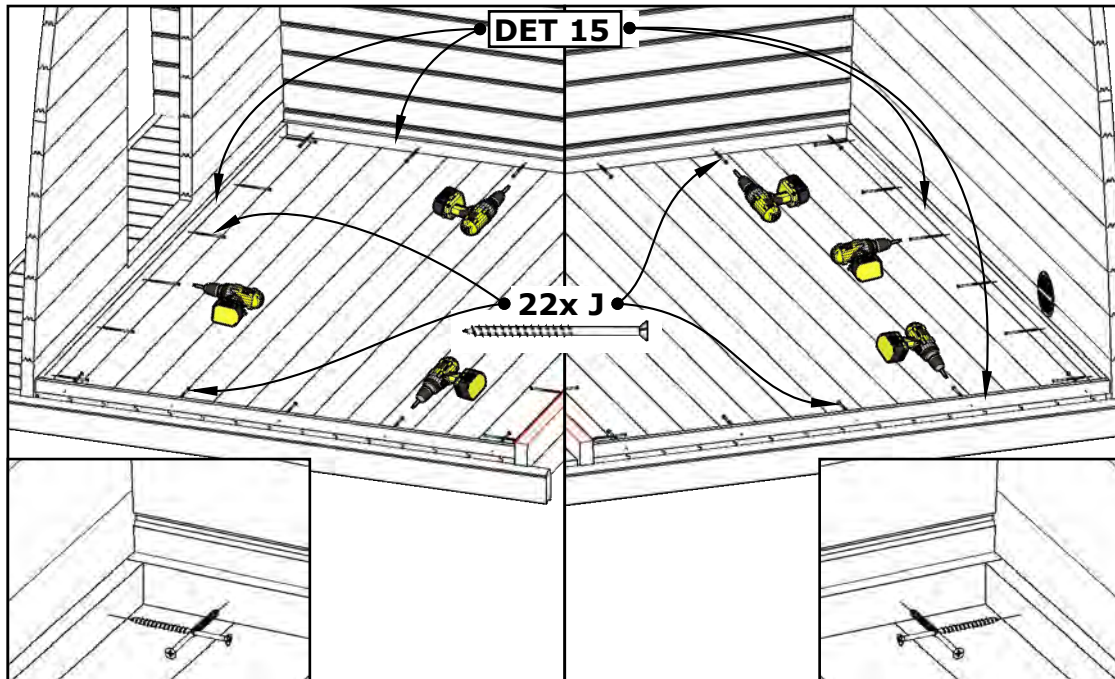
**III**

**IV**

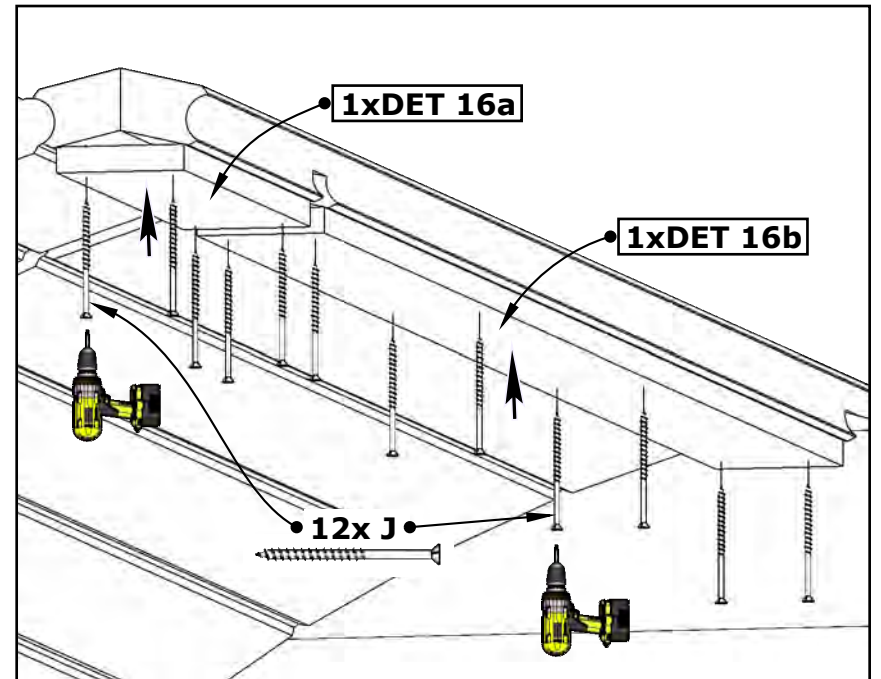
**V**

# G3 Outdoor Sauna

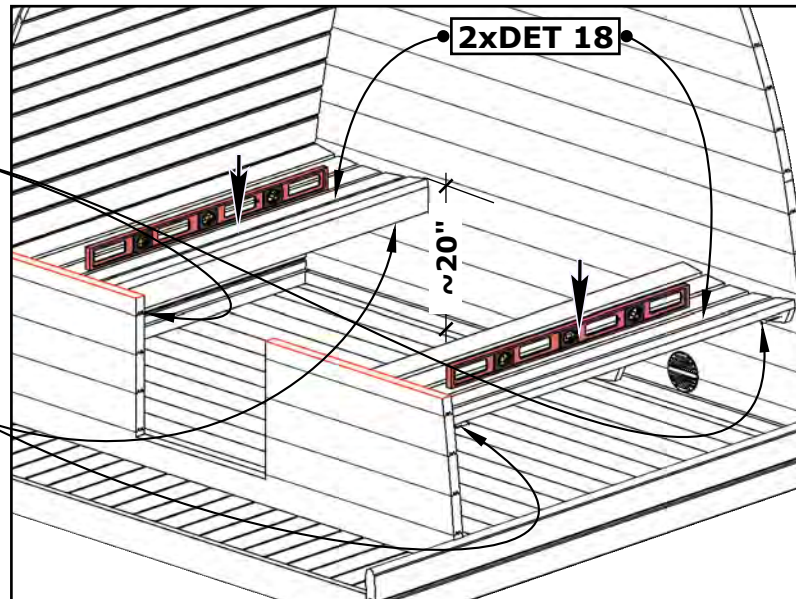
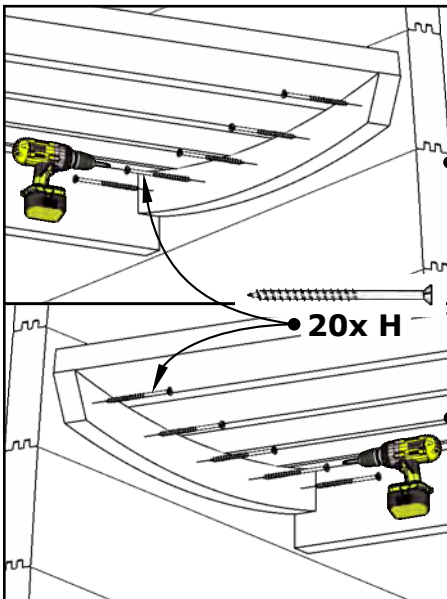
Cut floor slats from DET 15



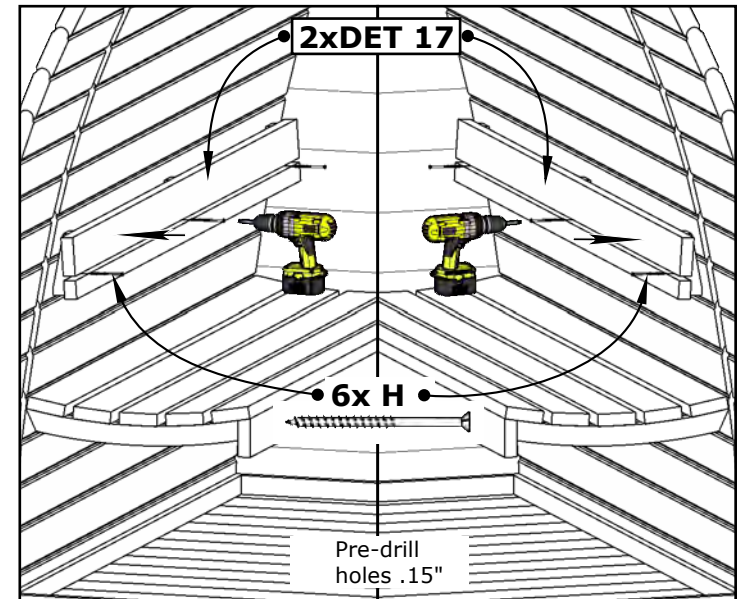
I



II



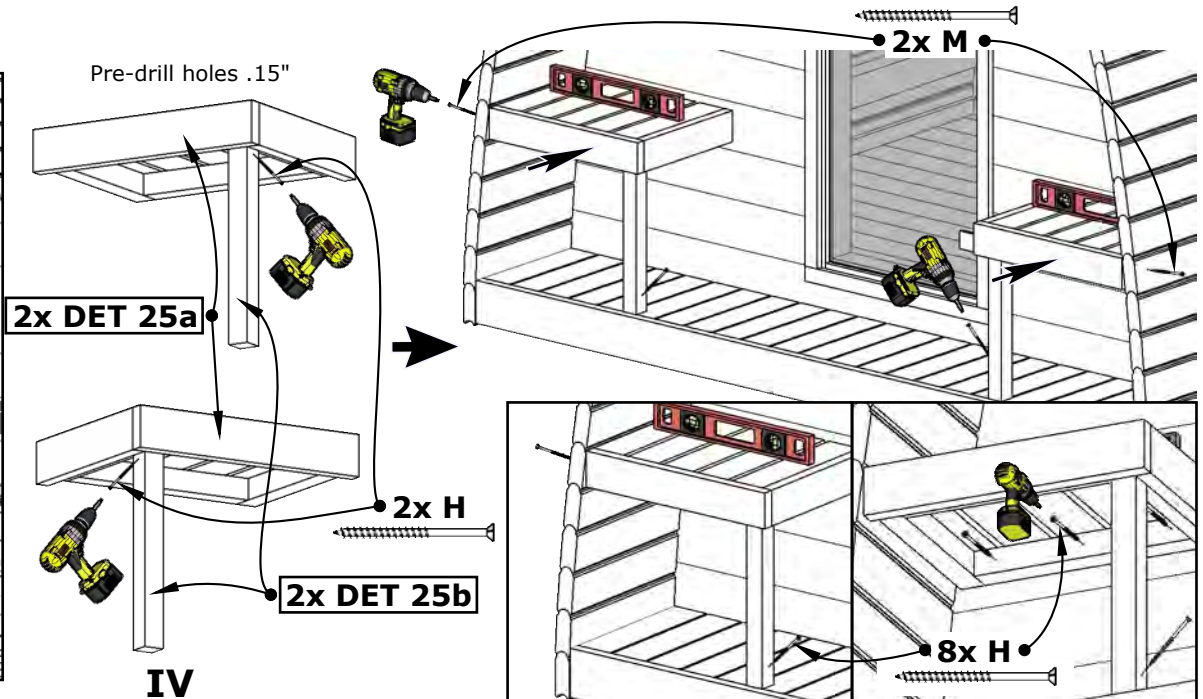
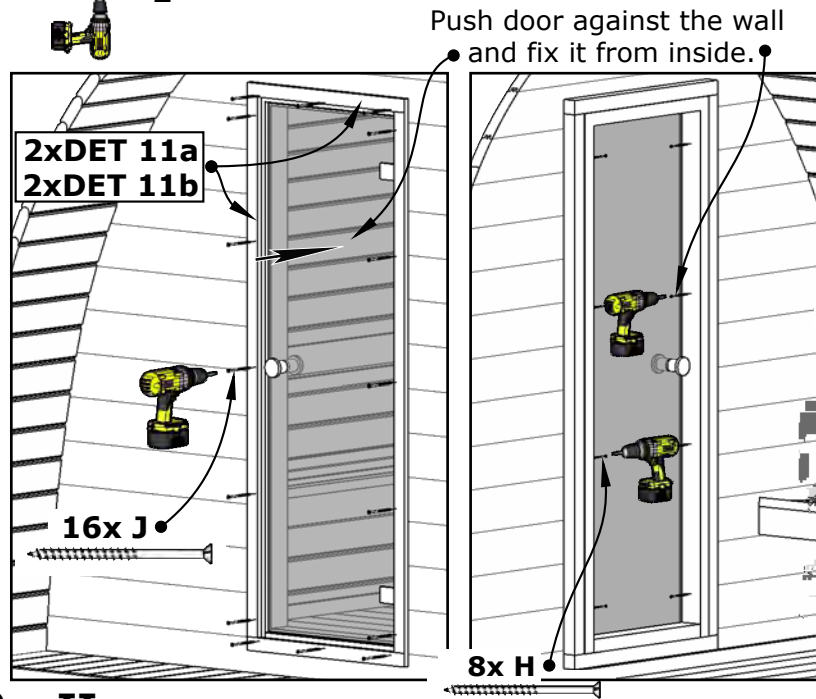
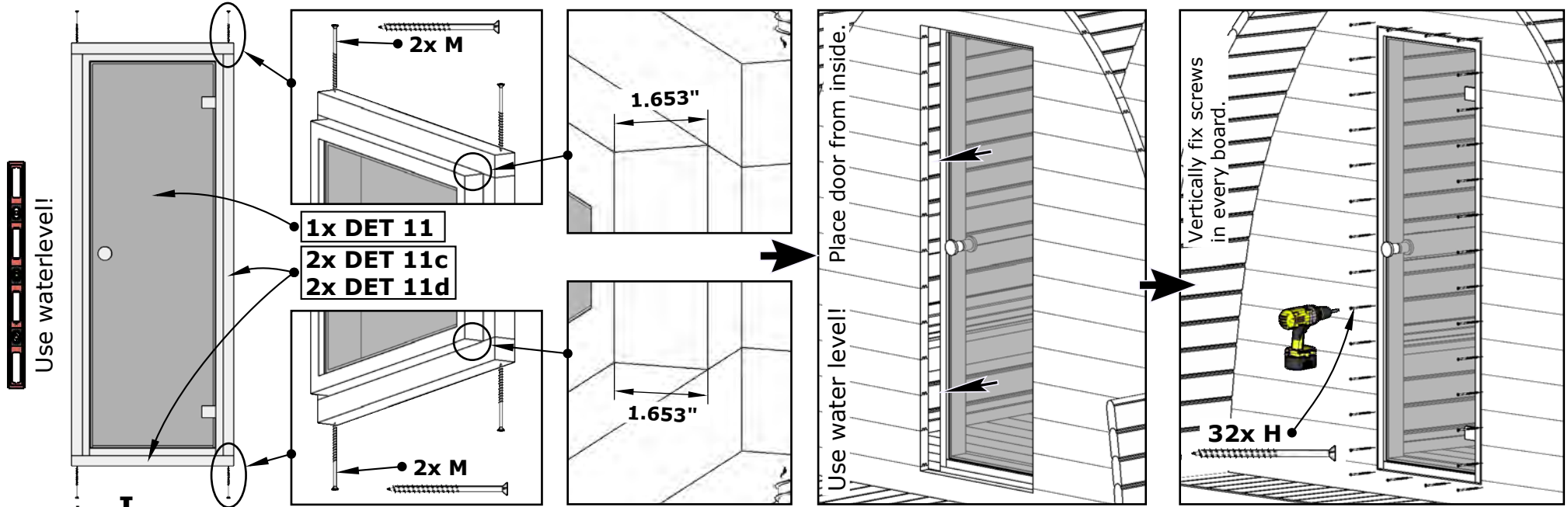
III



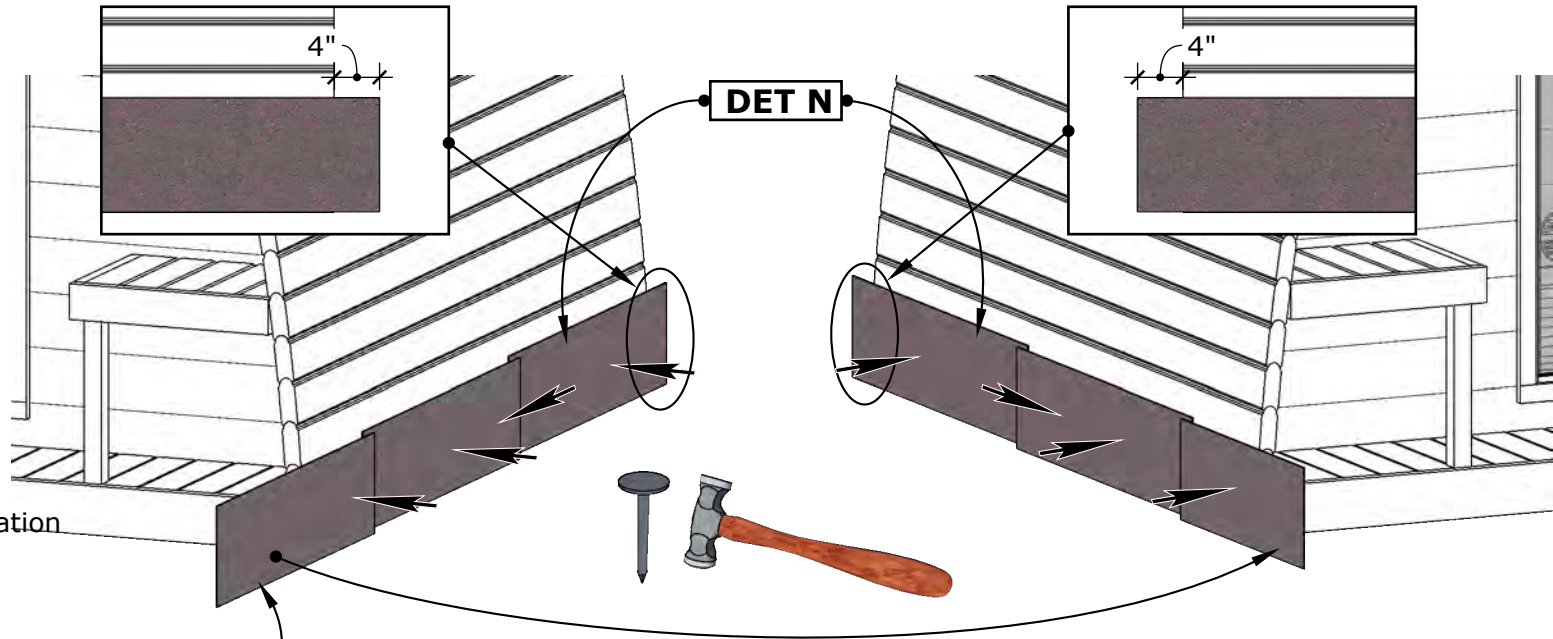
IV

8.

# G3 Outdoor Sauna



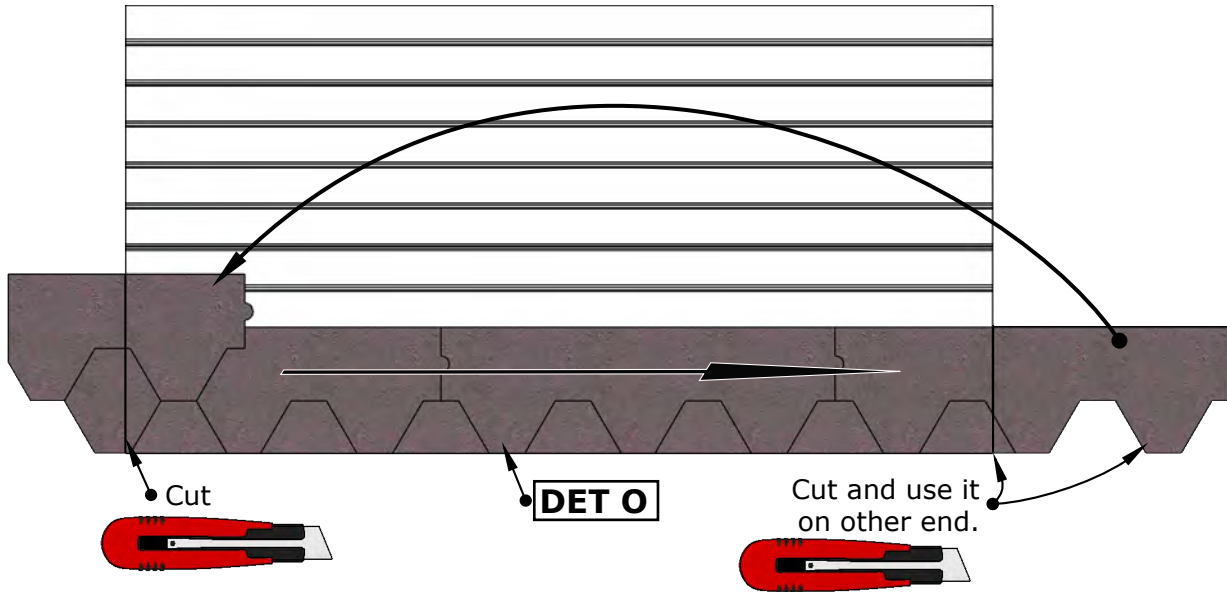
# G3 Outdoor Sauna



Check roof shingles installation manual inside package.

Cut and use it on other side

I

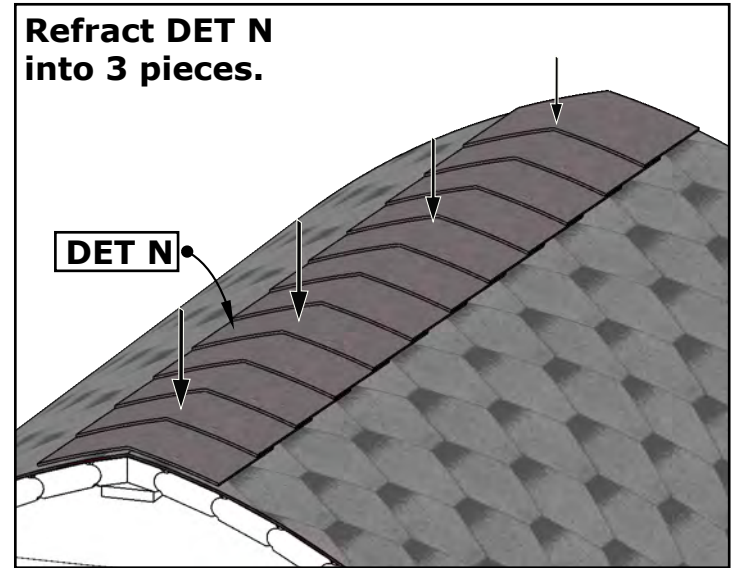


Cut

DET O

Cut and use it on other end.

Refract DET N into 3 pieces.



DET N

III

# G3 Outdoor Sauna

