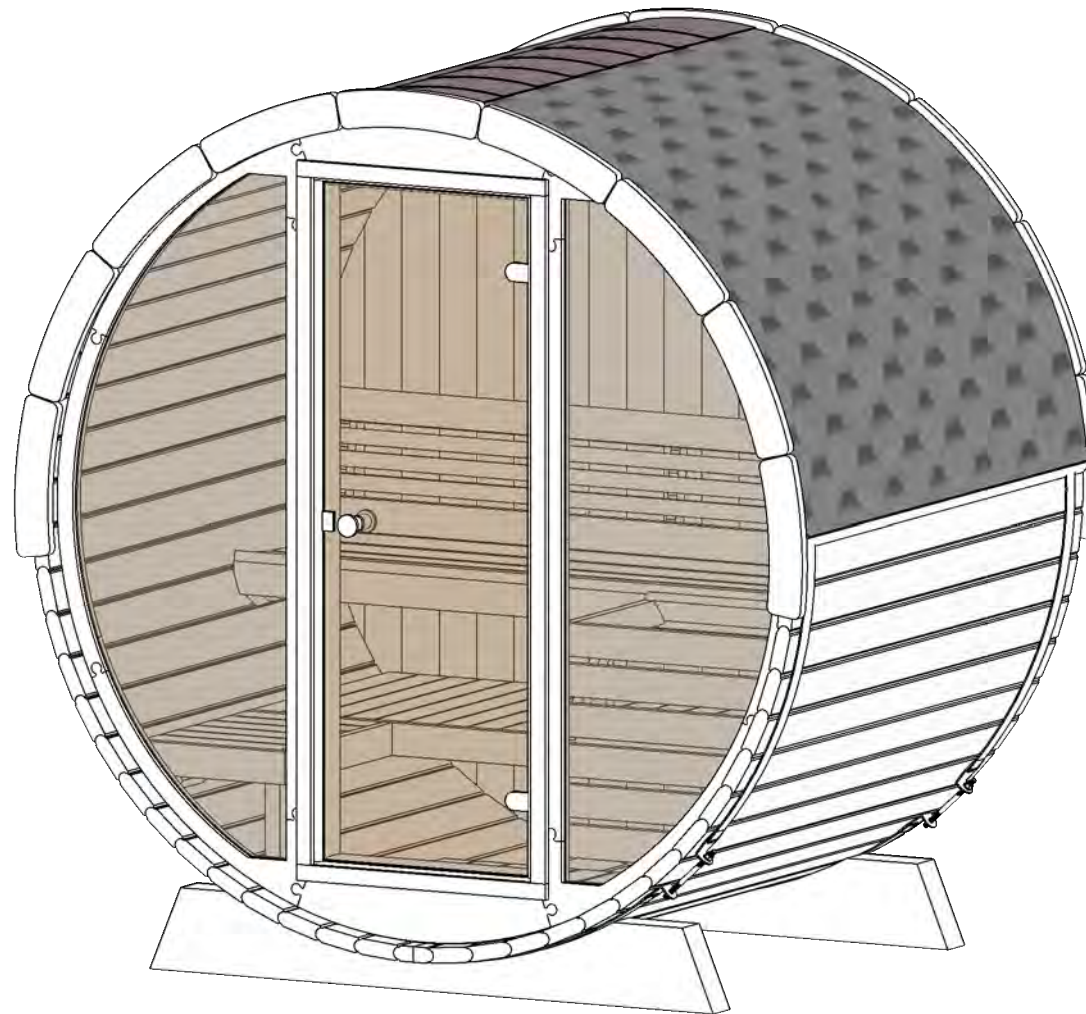




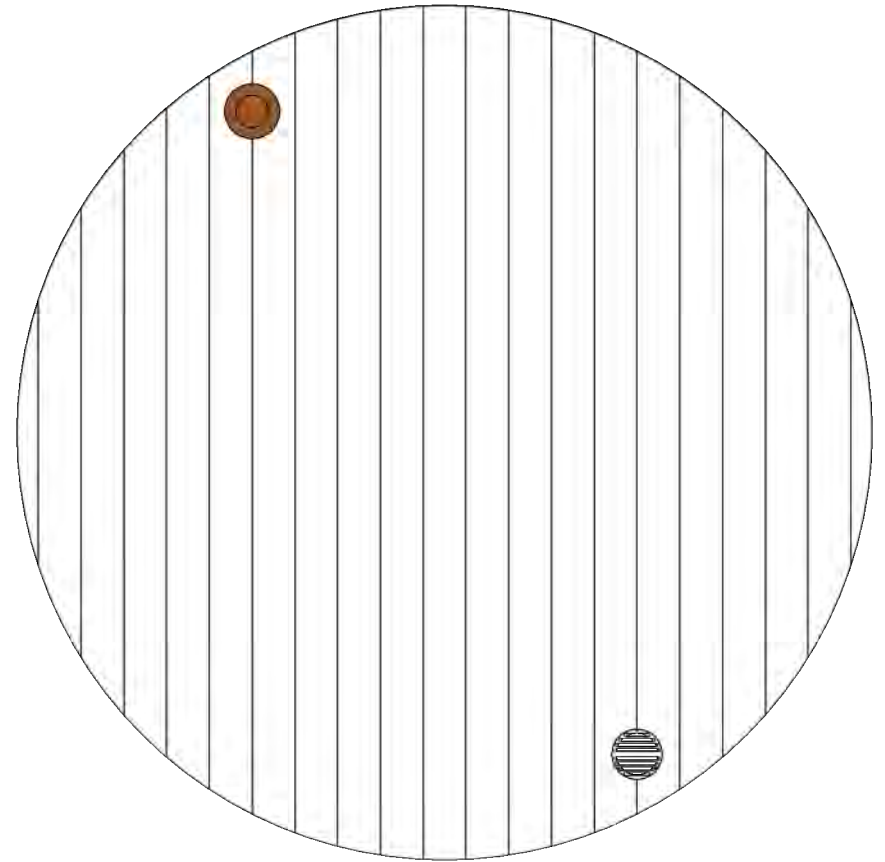
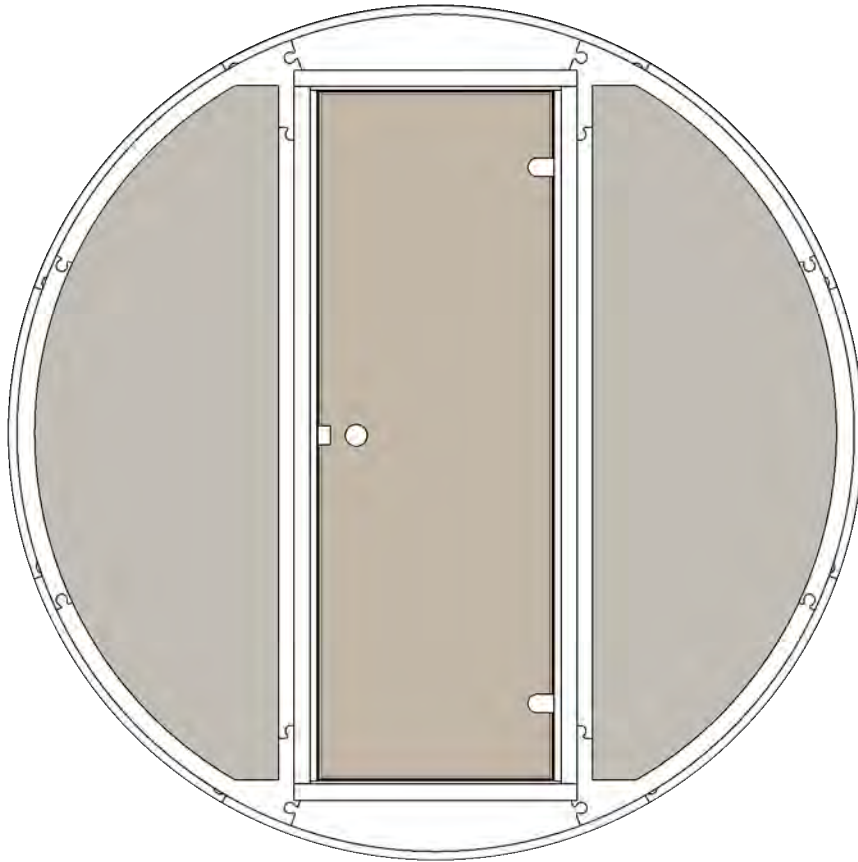
Ergo-Series EE6G Barrel Sauna  
Full Glass Front 63D" x 90H"



**Note: Please read manual before construction**

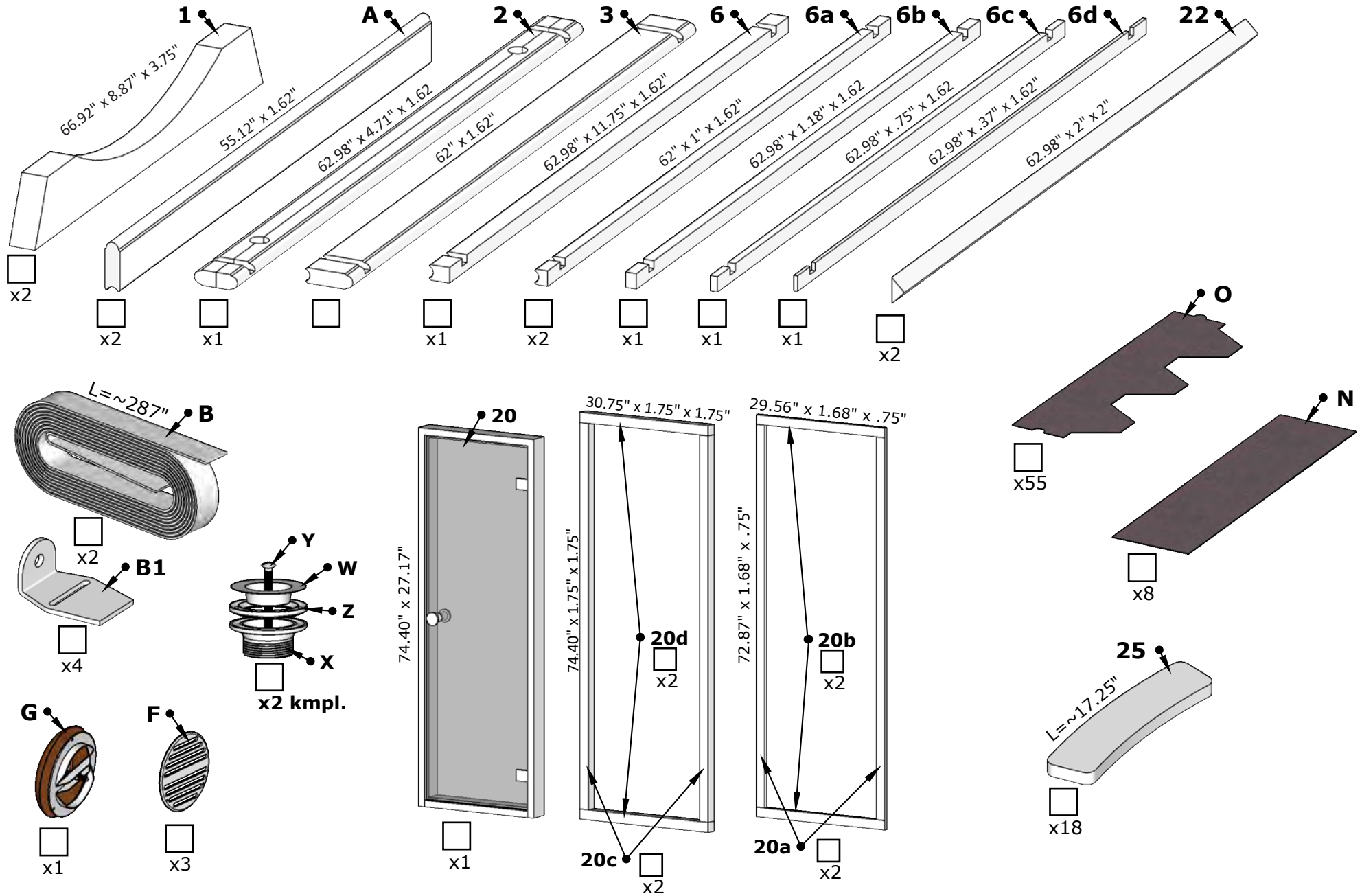
Rev: 1.0\_9/2023

# Front & Back Walls



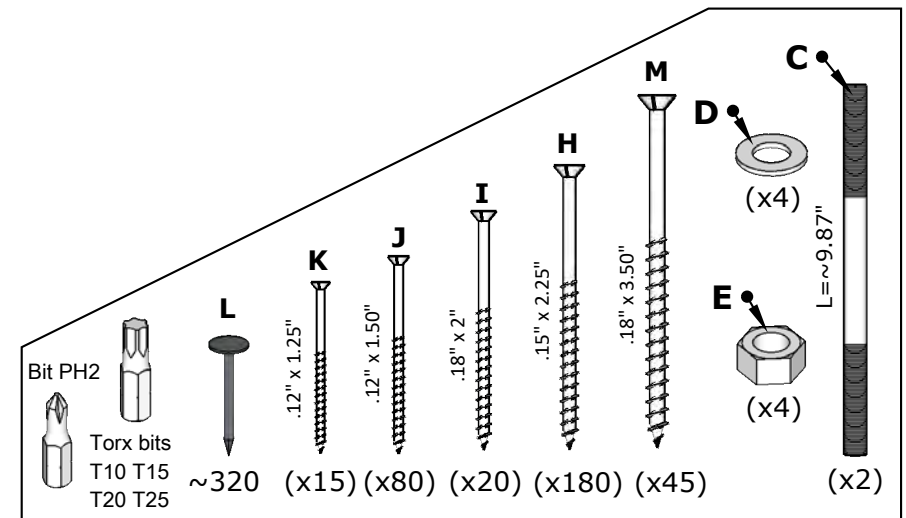
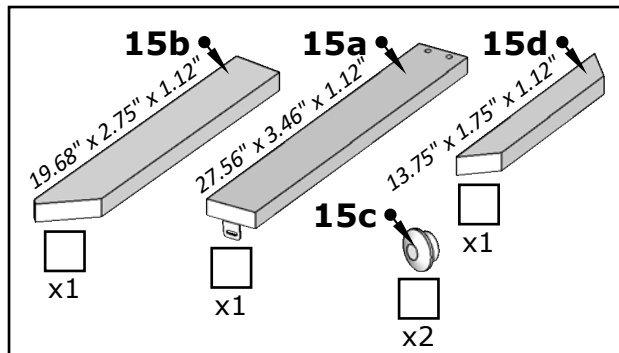
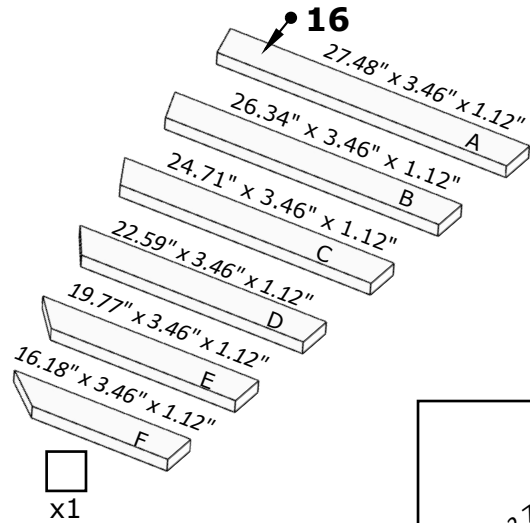
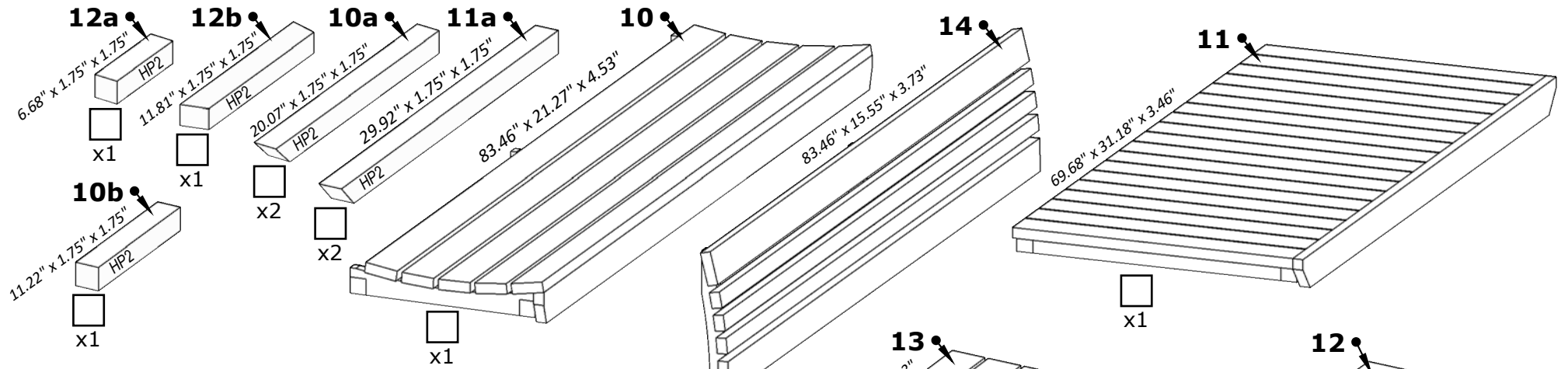
# EE6G Barrel Sauna 63D" x 90H"

## Details list 1.

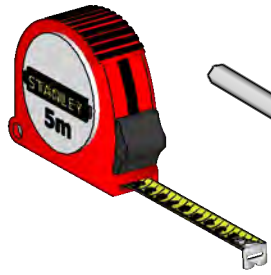


# EE6G Barrel Sauna 63D" x 90H"

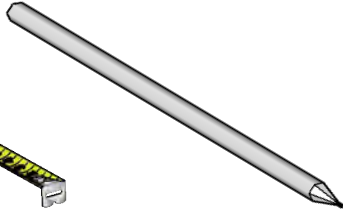
## Details list 2.



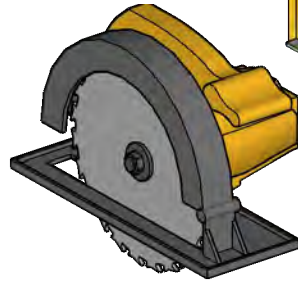
# Tools needed



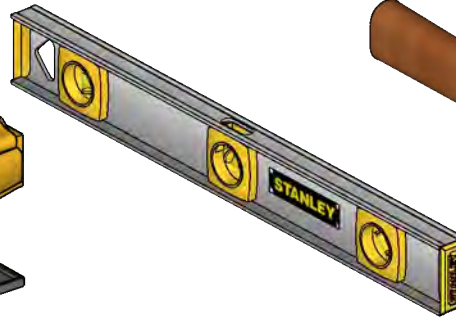
Measuring tape



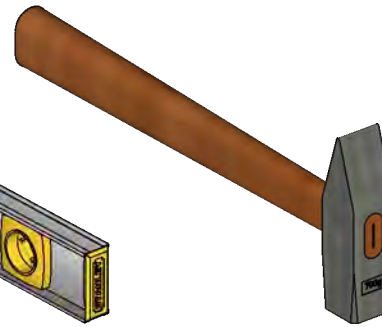
Marker pen



Circular saw



Water level



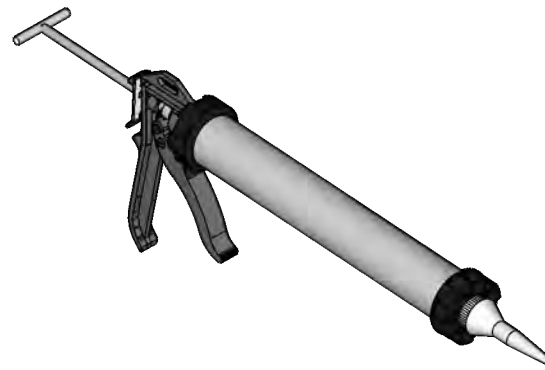
Hammer



Extra hands



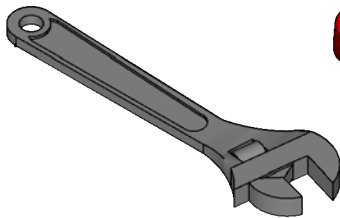
Ratchet strap



Silicone gun  
(Only glass-wall models)



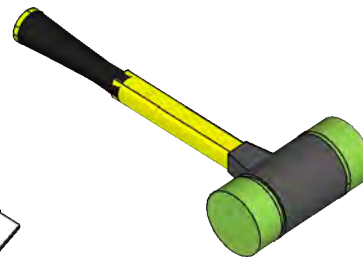
Drill



Crescent wrench

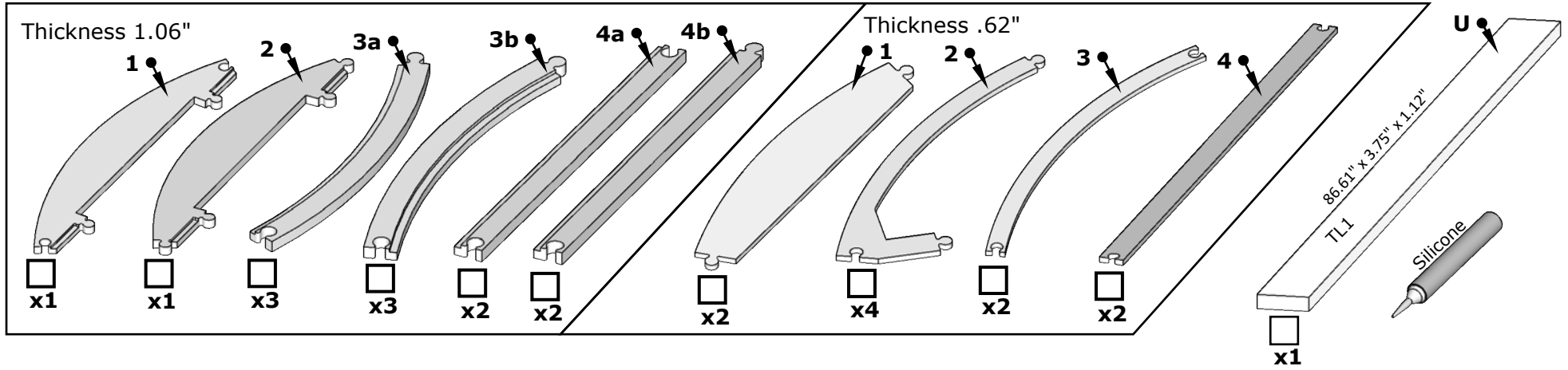


Utility knife

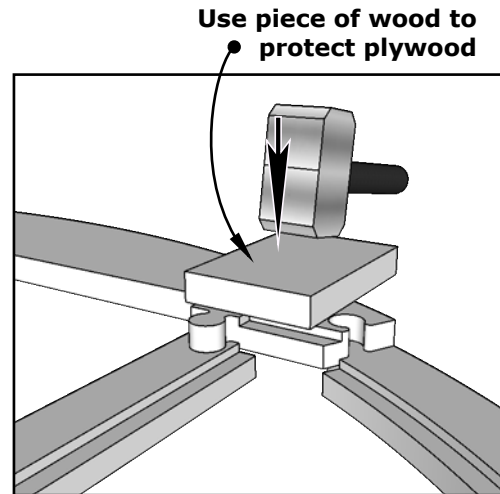
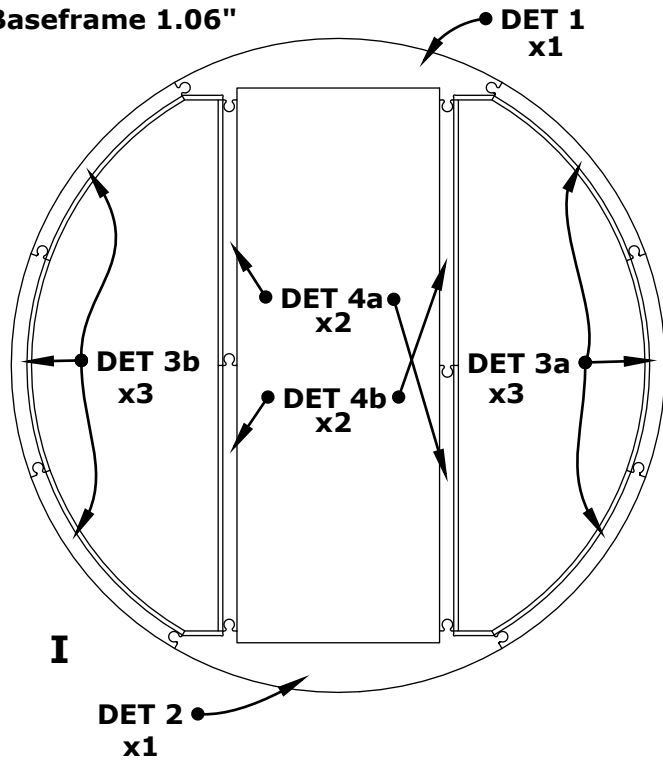


Rubber mallet

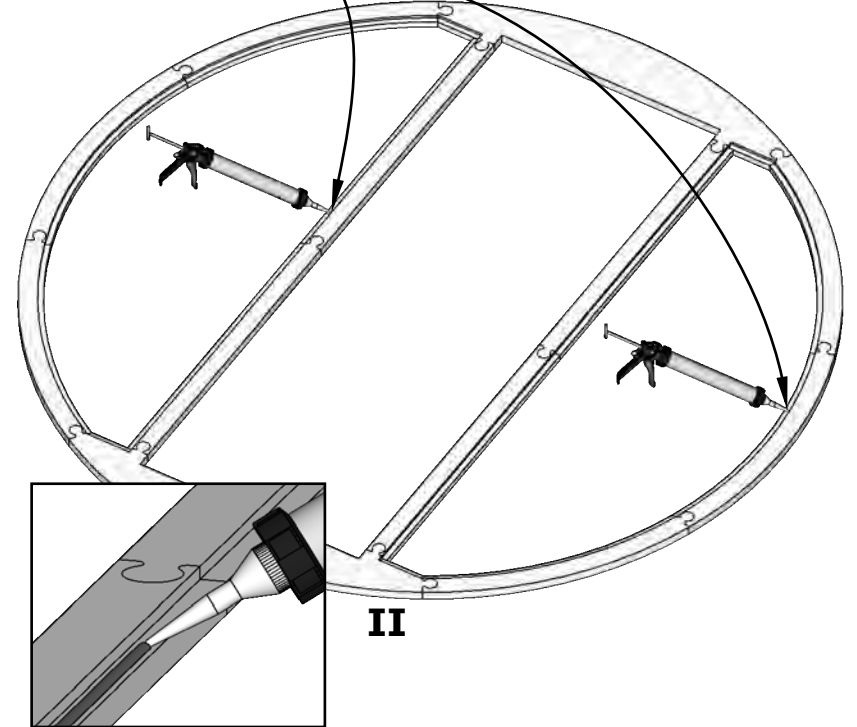
### Front glass wall installation



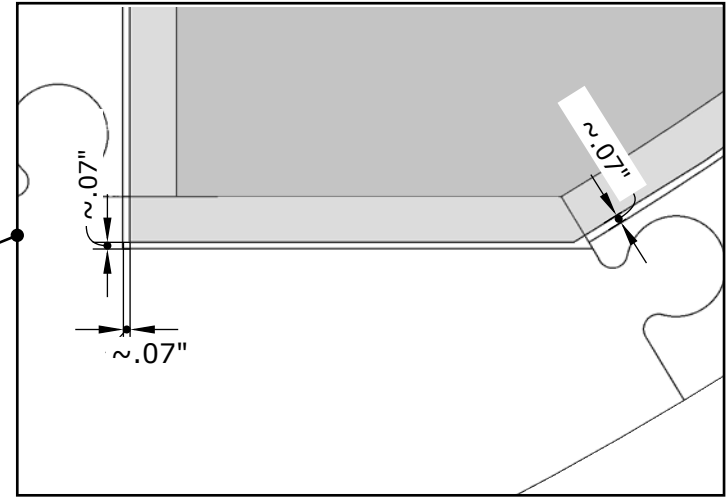
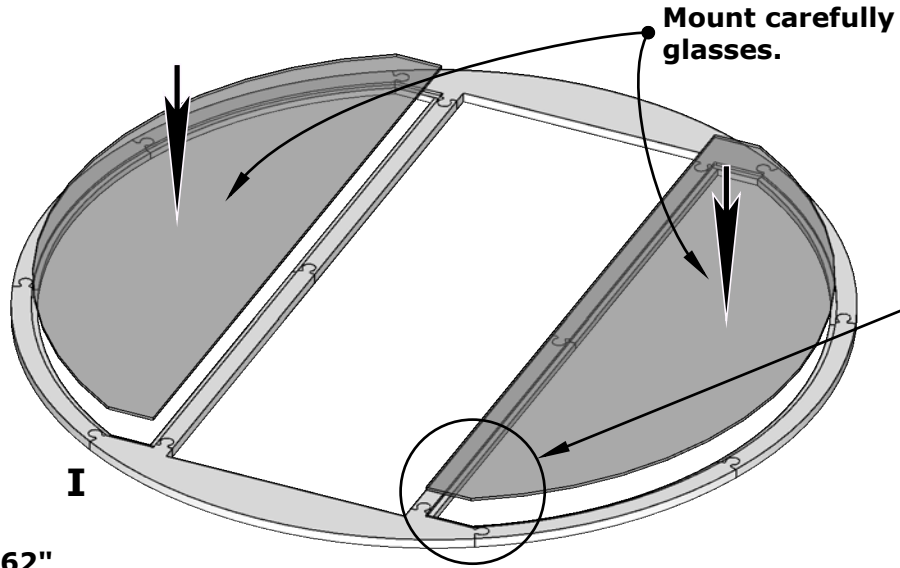
### Baseframe 1.06"



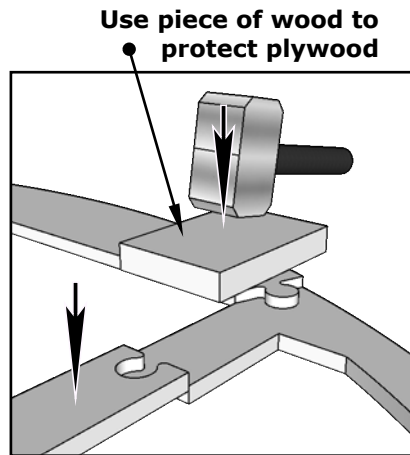
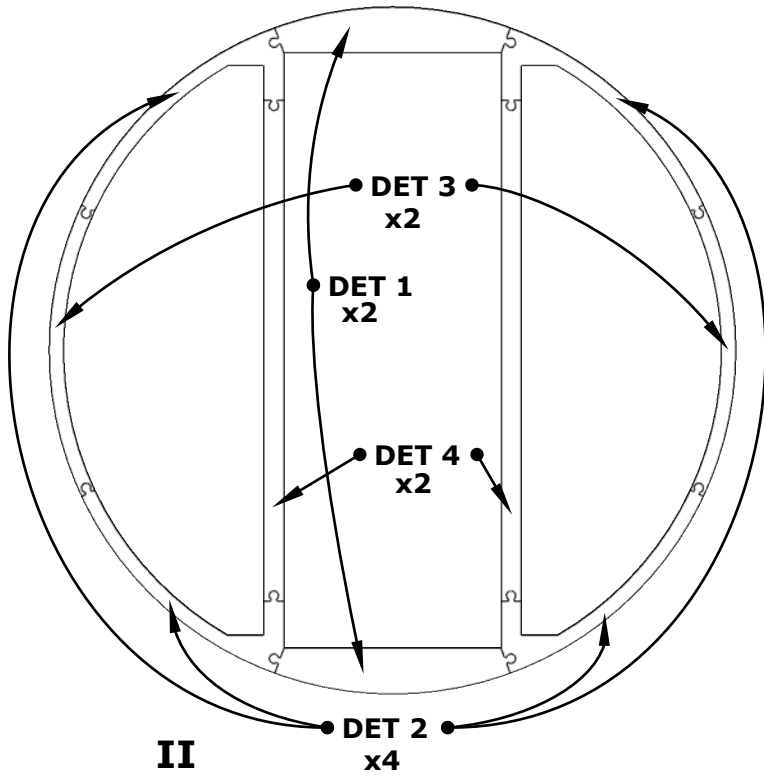
Apply waterproof silicone to the groove



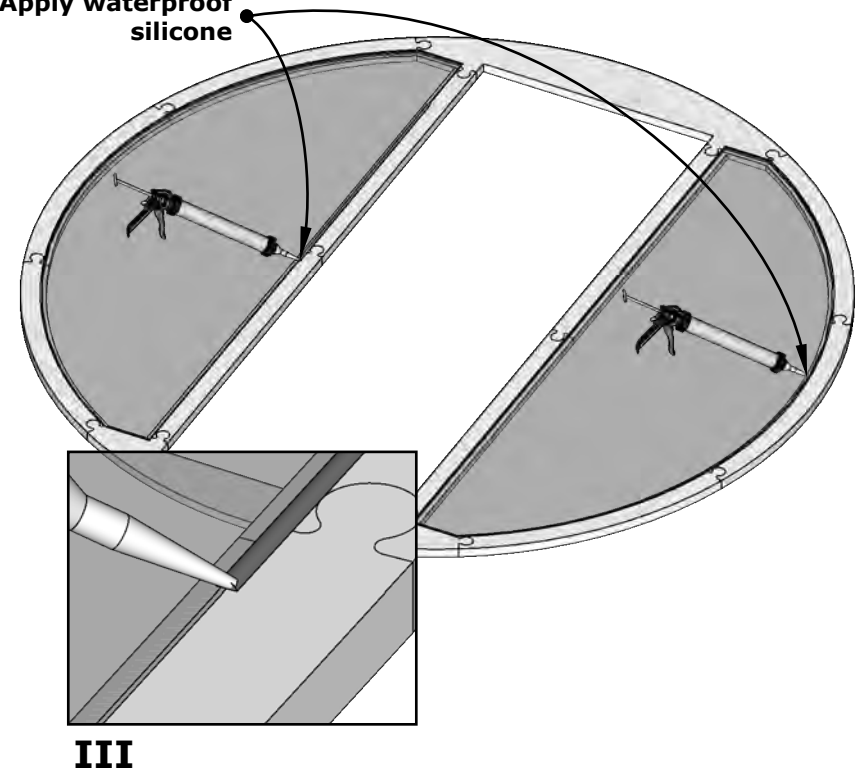
# Front glass wall installation



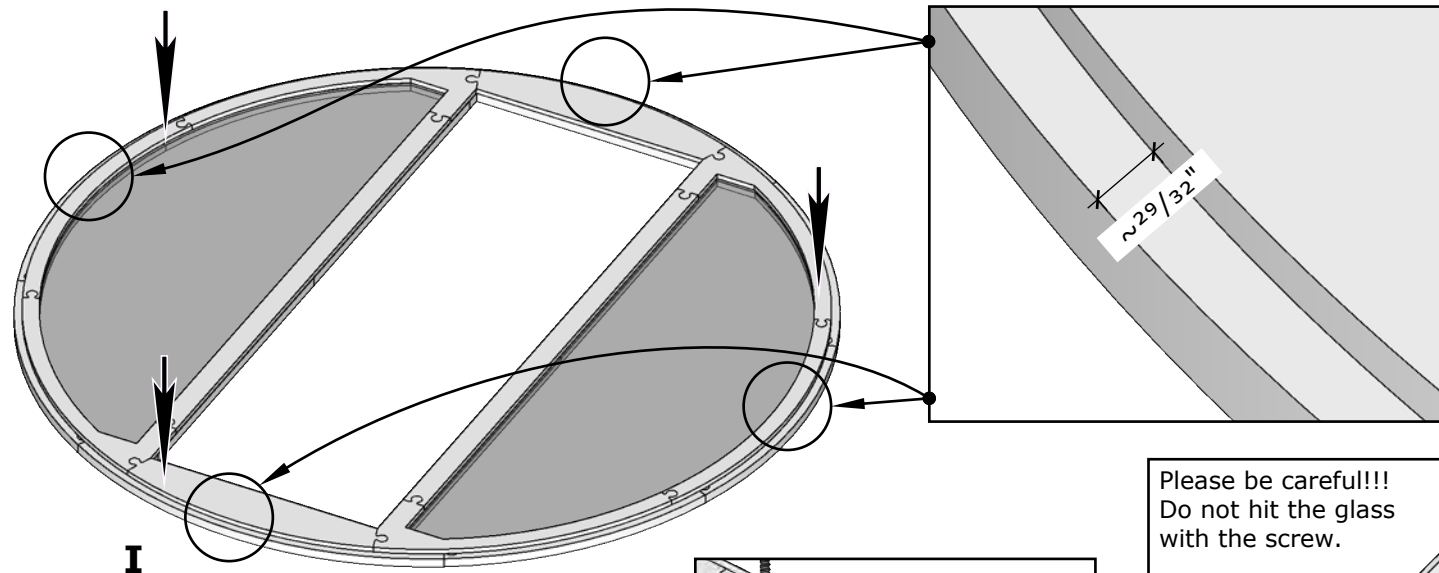
Coverframe .62"



Apply waterproof silicone

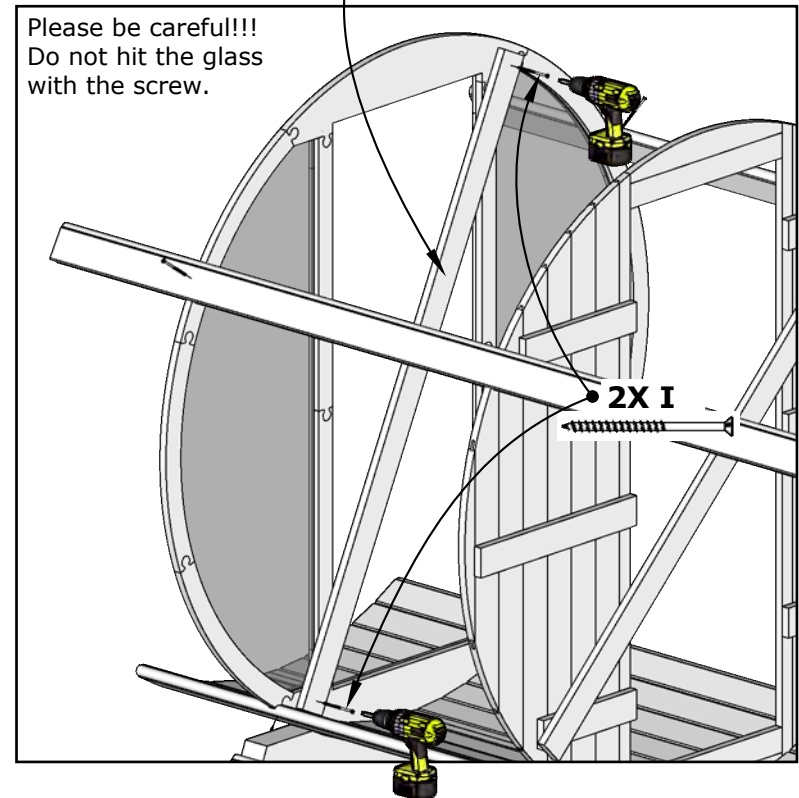


# Front glass wall installation

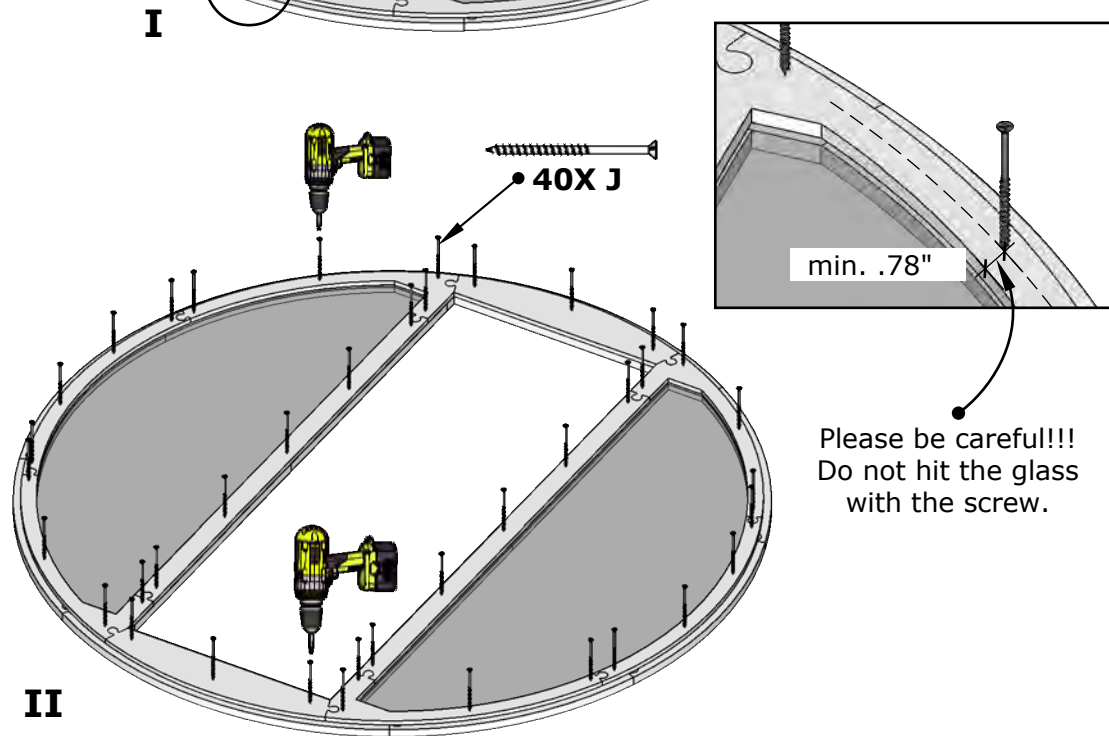


### DET U

- Fix it diagonally to make wall more rigid during the installation.



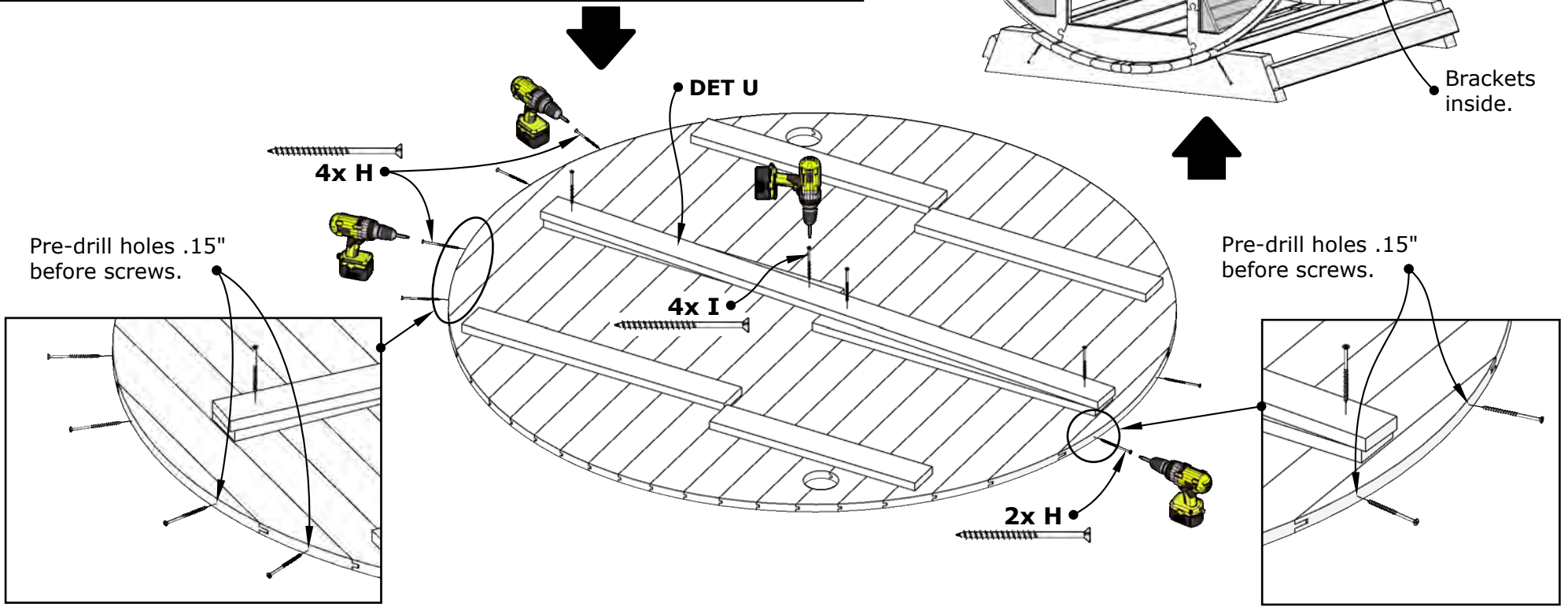
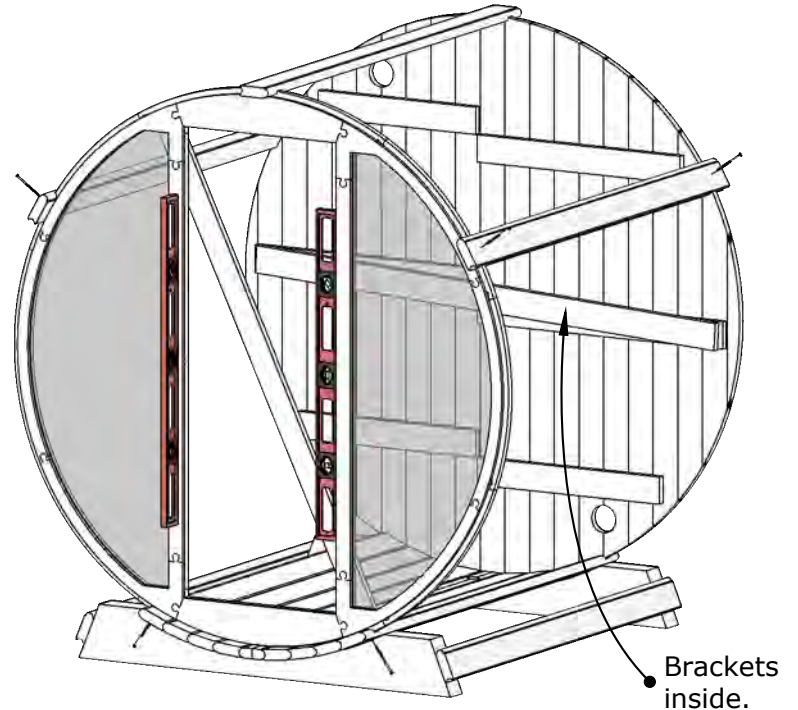
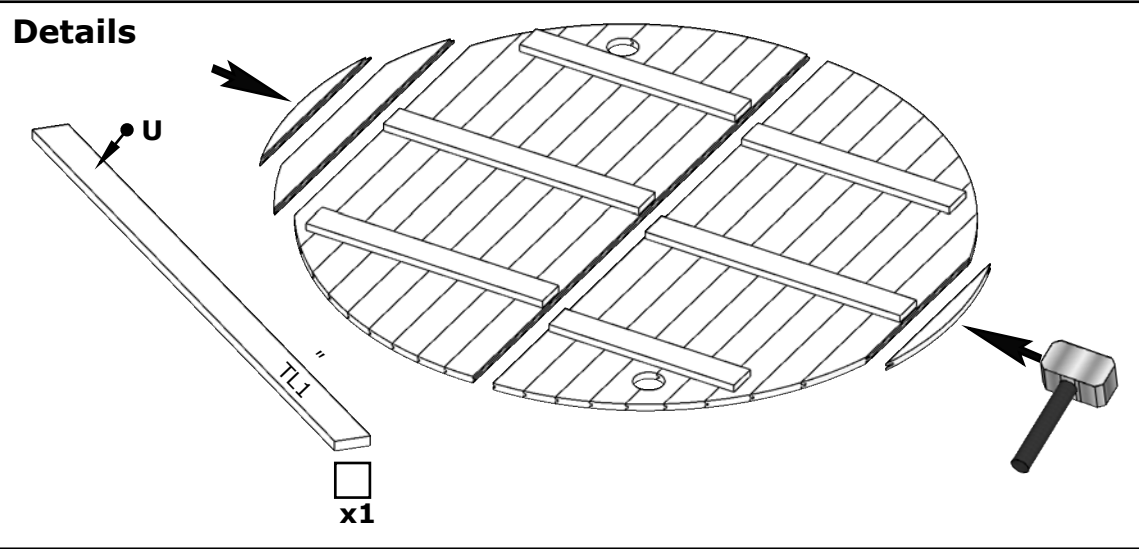
### III

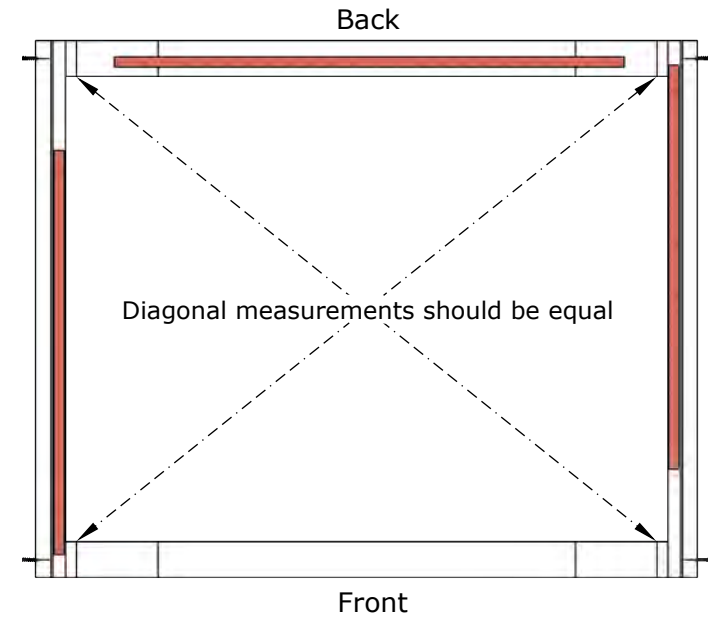
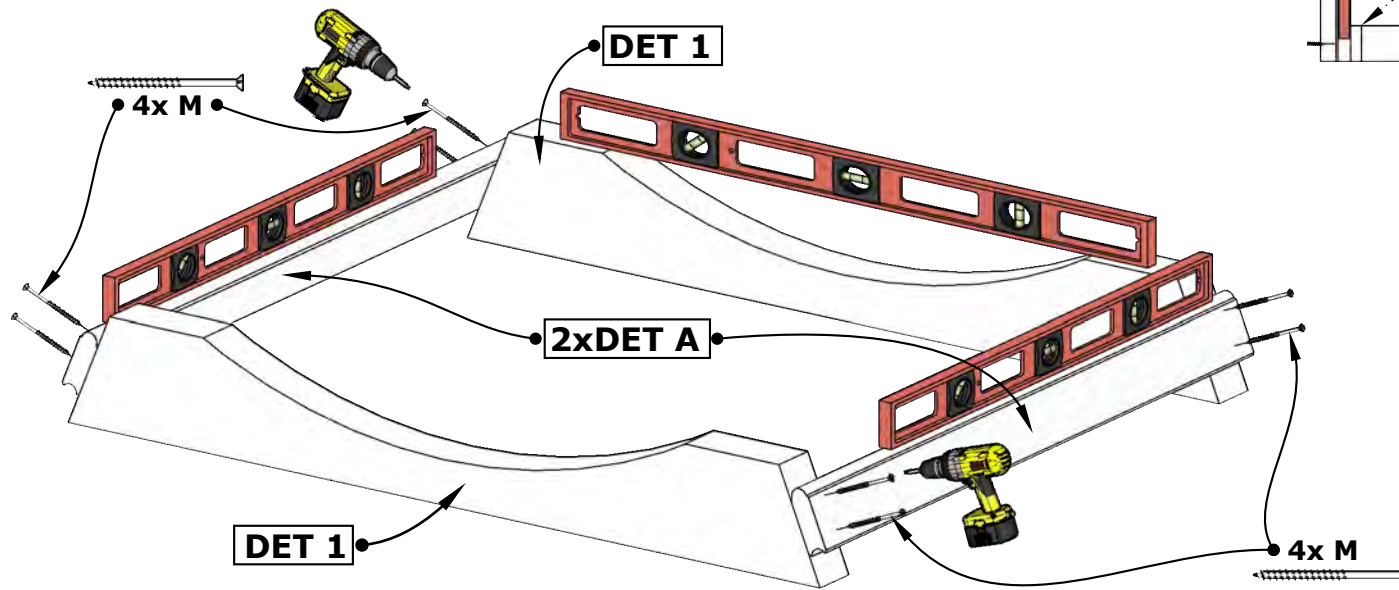


### II

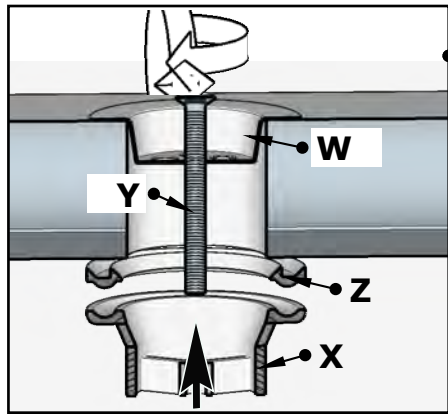


# Wooden back wall assembly

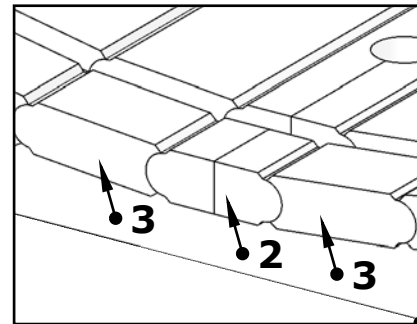
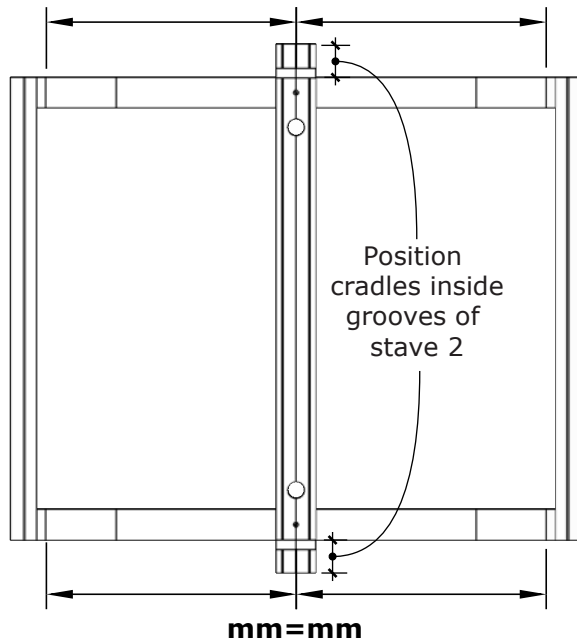
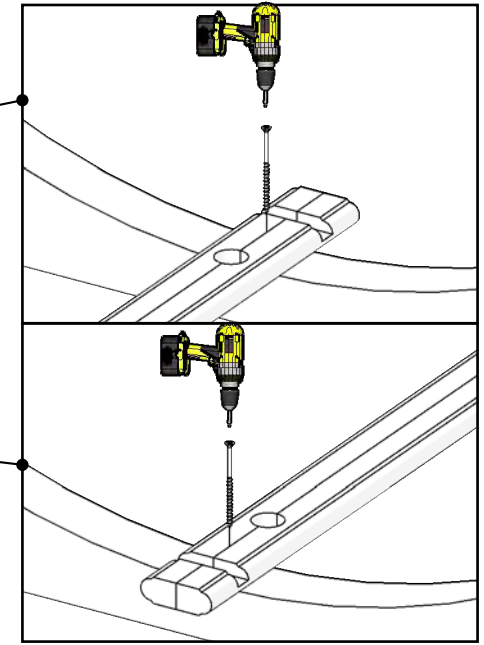
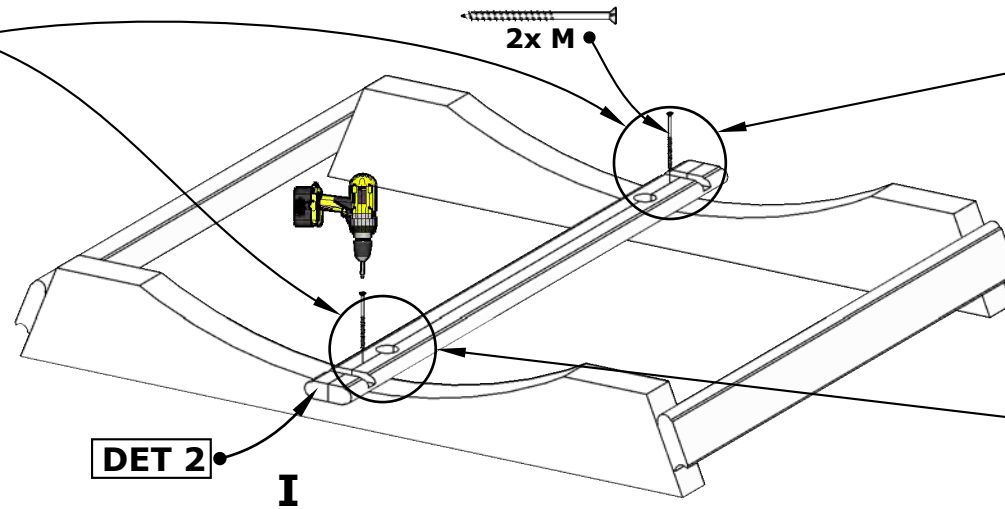




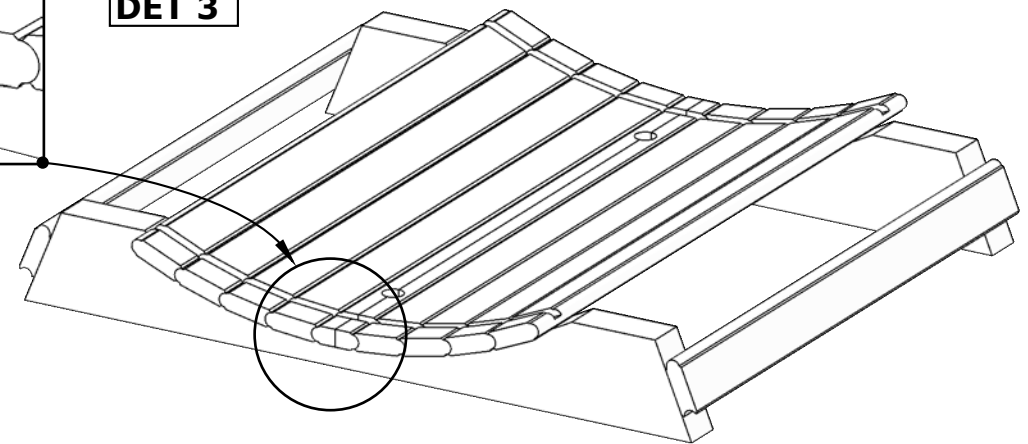
# EE6G Barrel Sauna 63D" x 90H"



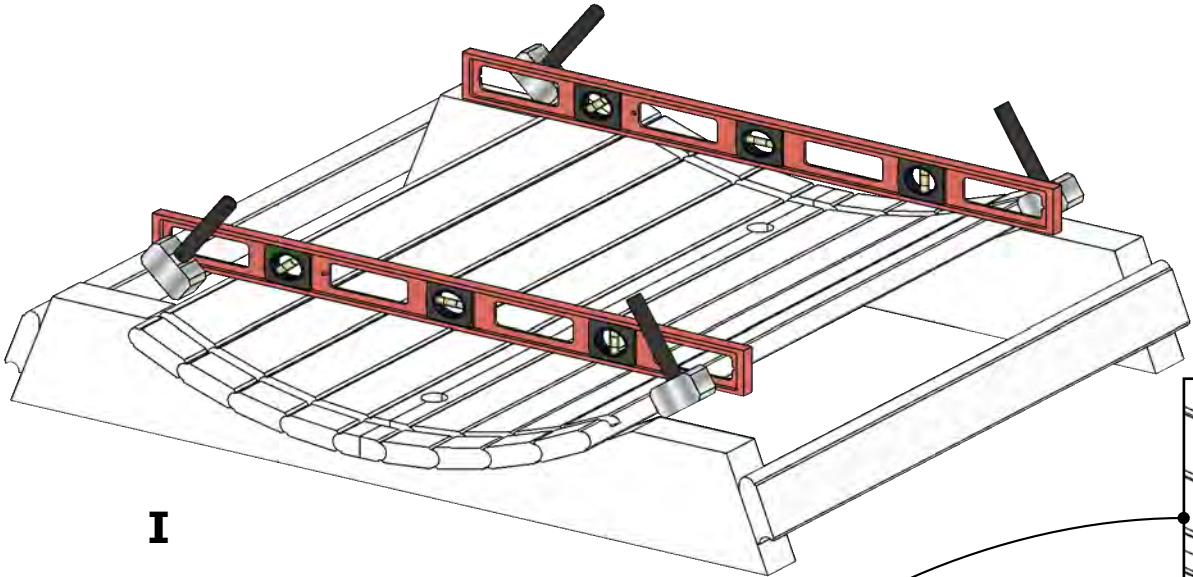
Center stave 2 on cradle 1



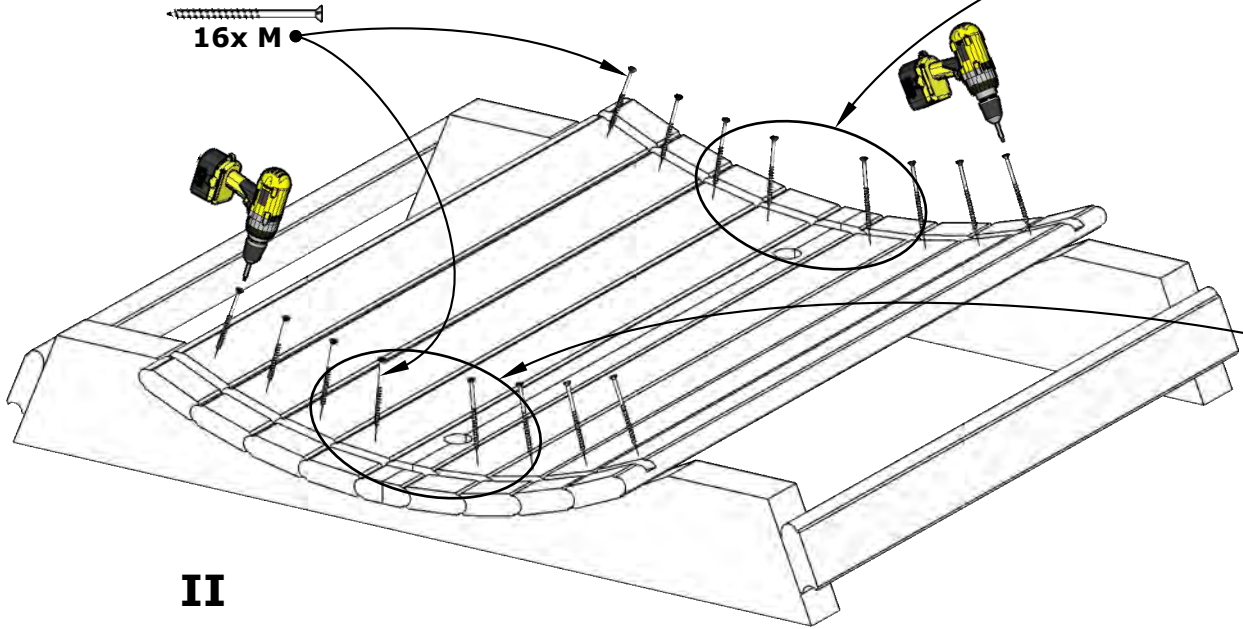
DET 3



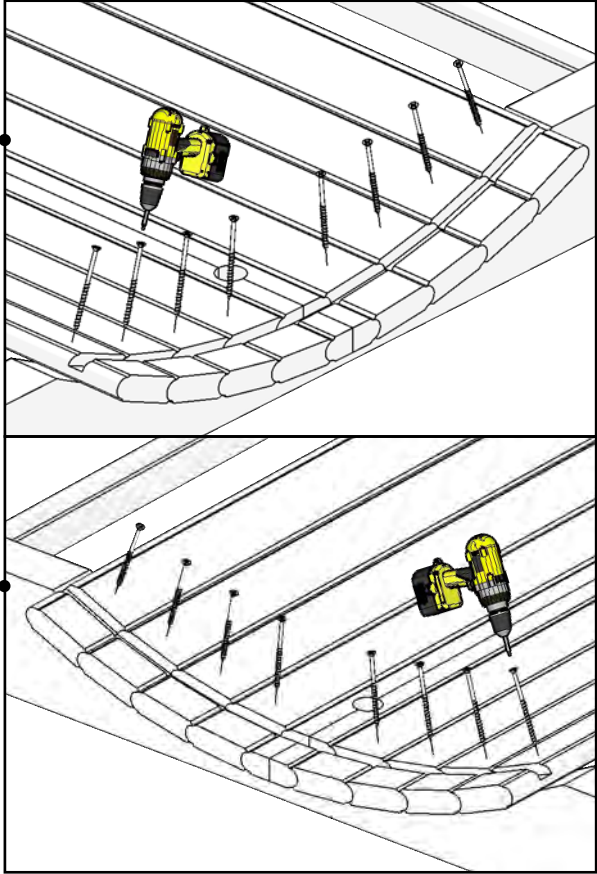
II



I

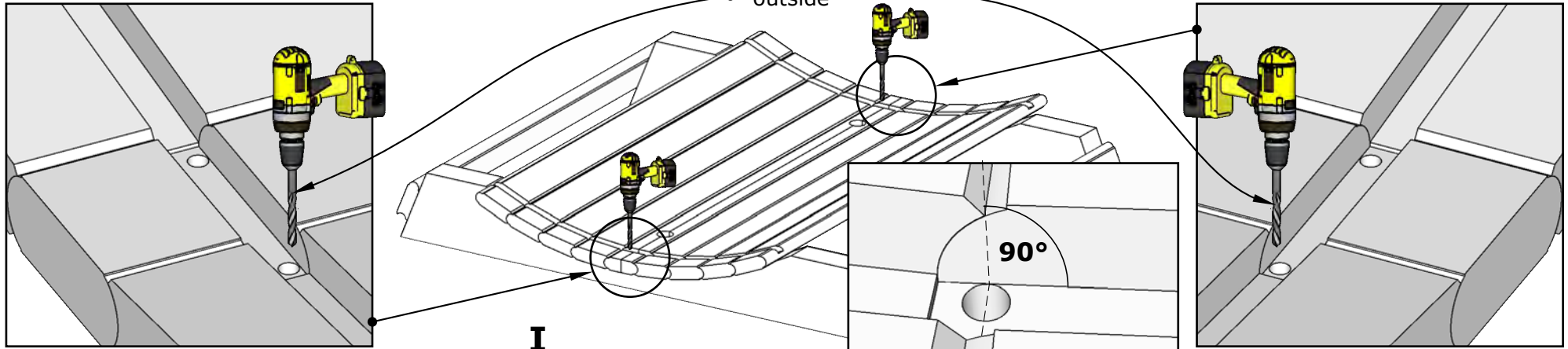


II

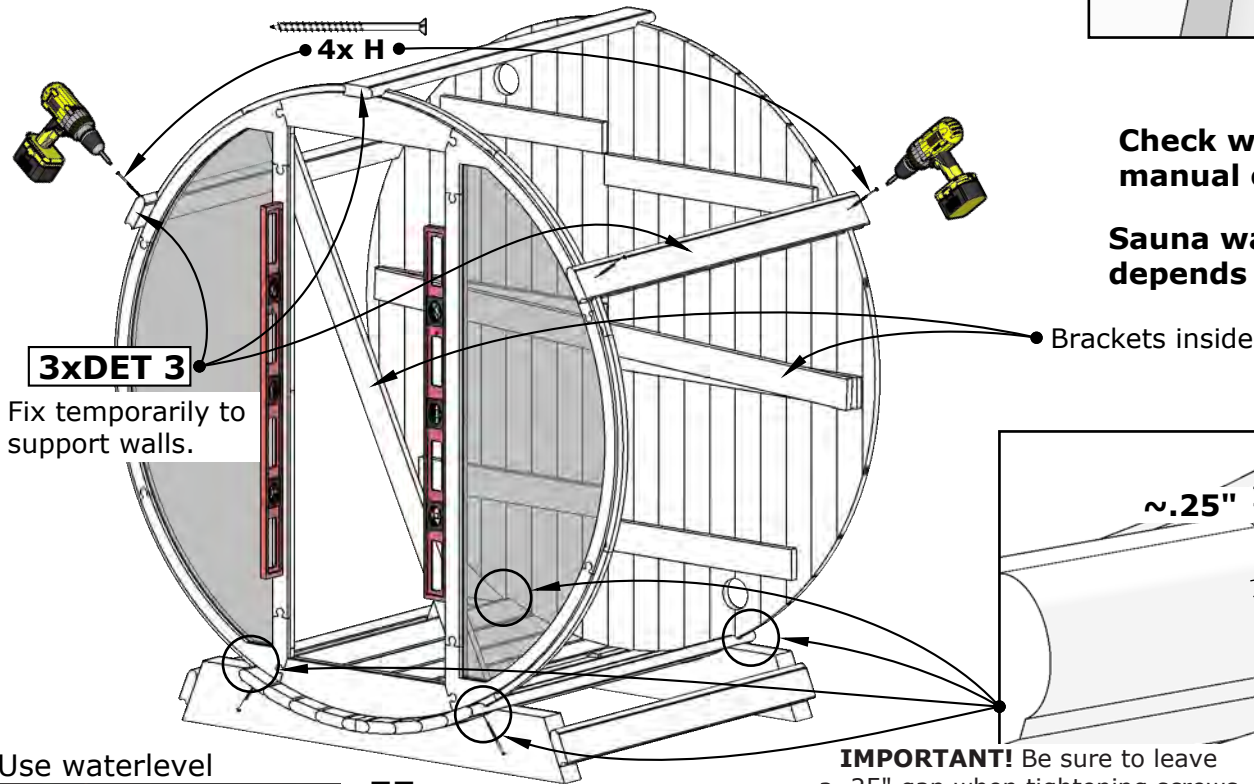


# EE6G Barrel Sauna 63D" x 90H"

Drill 4 holes .50" through DET 2 outside



I



**3xDET 3**  
Fix temporarily to support walls.

**Check walls installation manual on extra pages!**

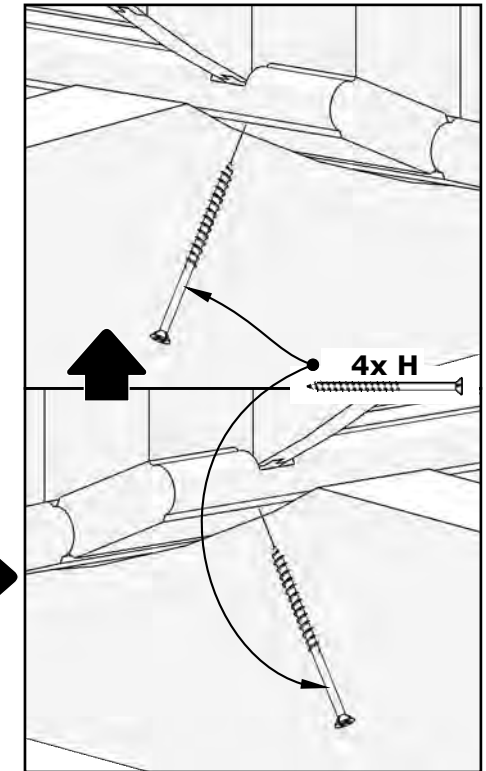
**Sauna wall configuration depends on Your model!**

Brackets inside

Use waterlevel  
II

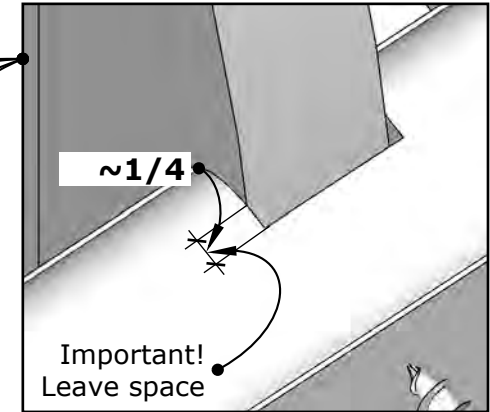
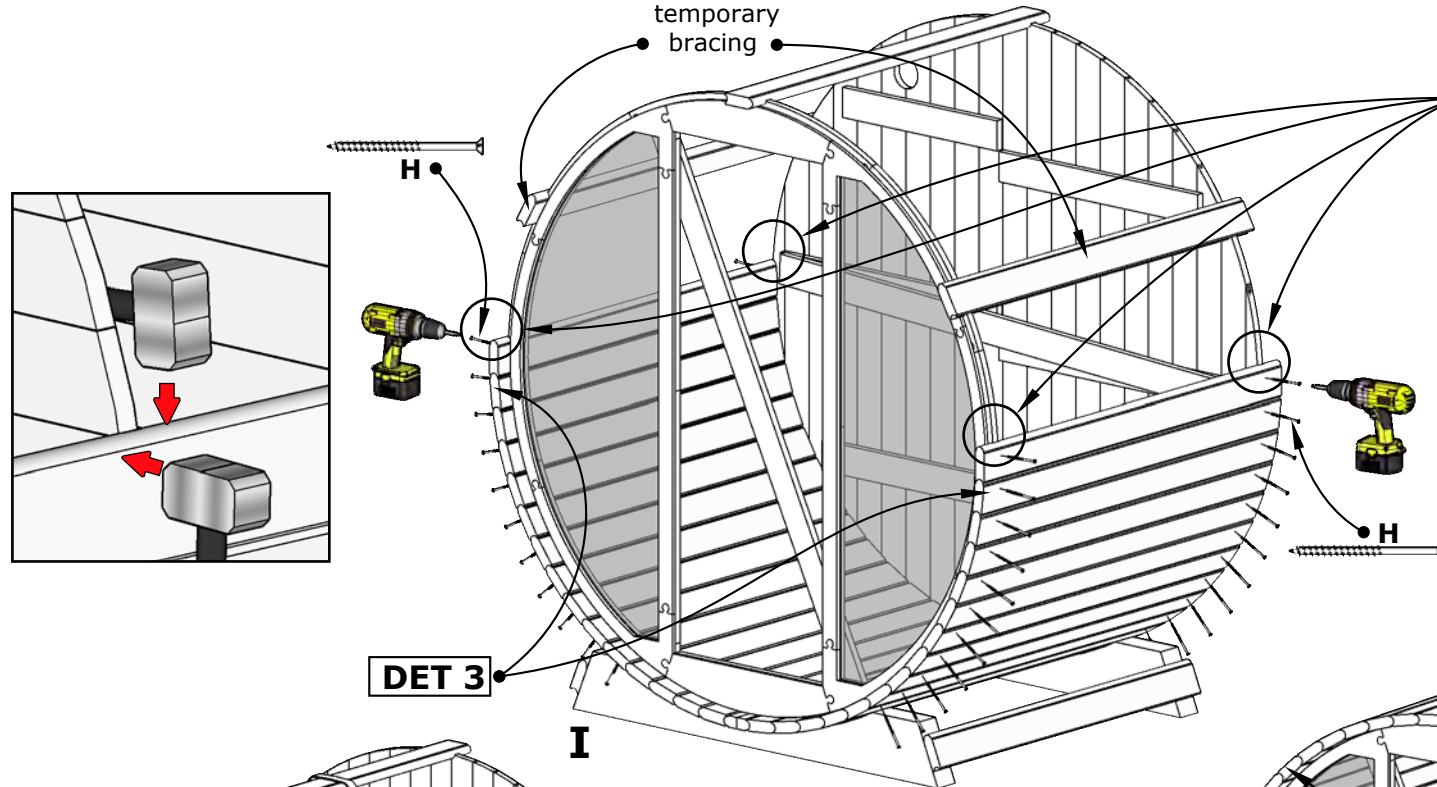
**IMPORTANT!** Be sure to leave a .25" gap when tightening screws to leave room for adjustment when the outer bands (B) are installed.

~.25"

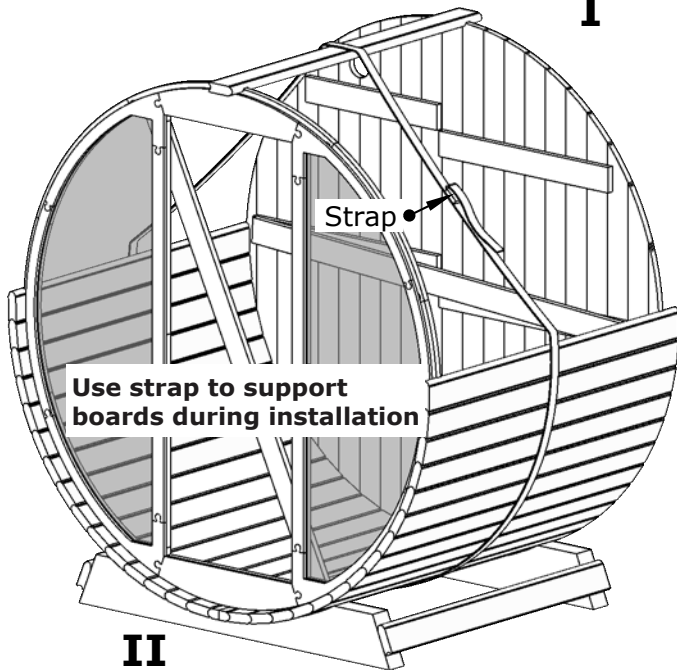


4x H

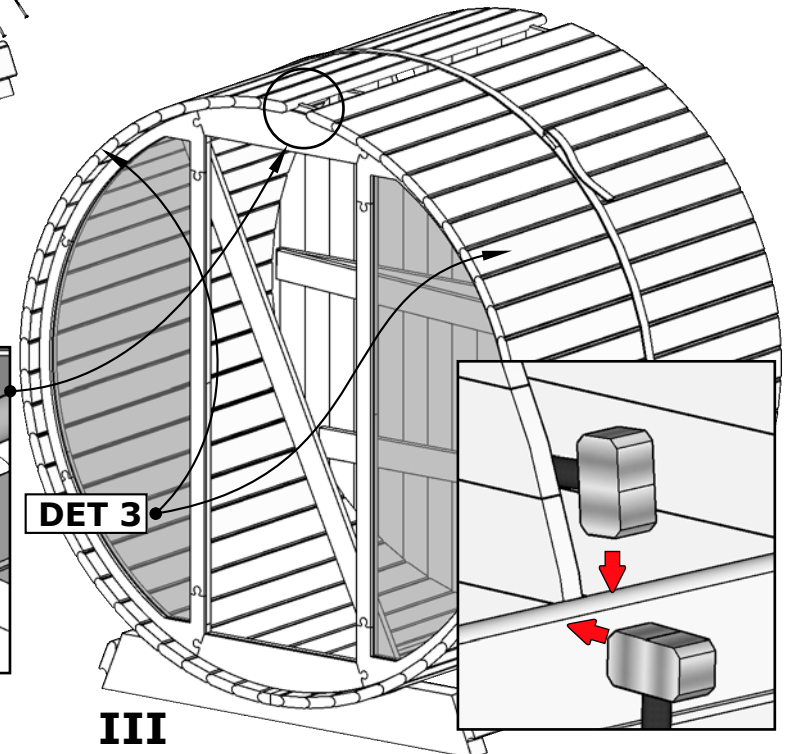
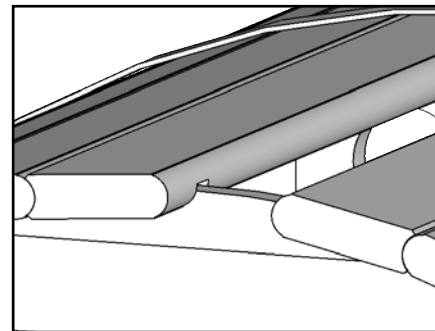
# EE6G Barrel Sauna 63D" x 90H"

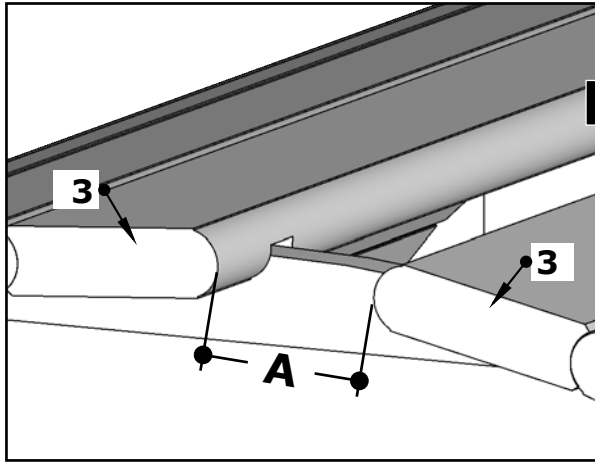


**IMPORTANT!** Be sure to leave a .25" gap when tightening screws to leave room for adjustment when the outer bands (B) are installed.

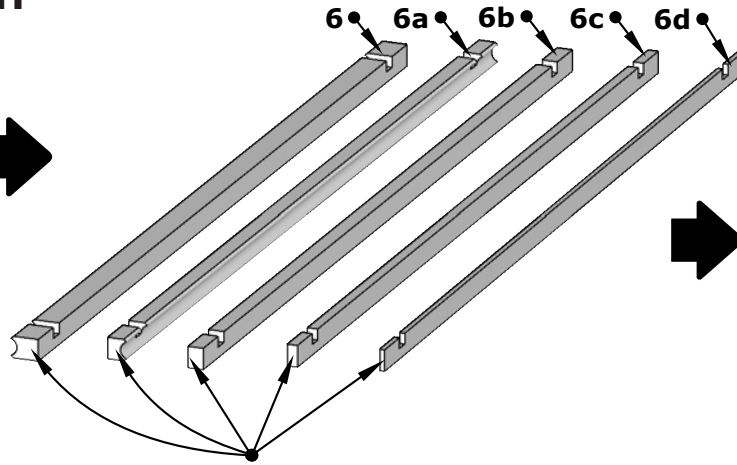


See the next page.

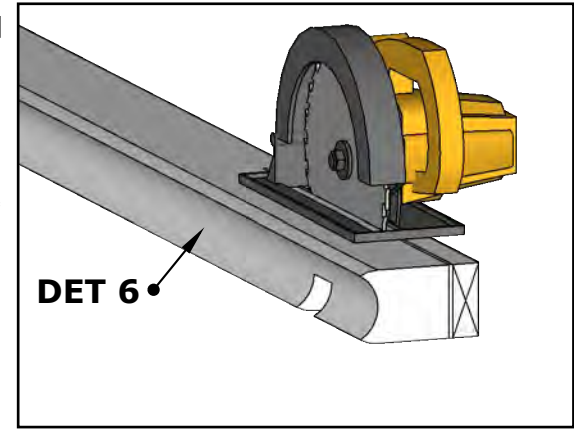




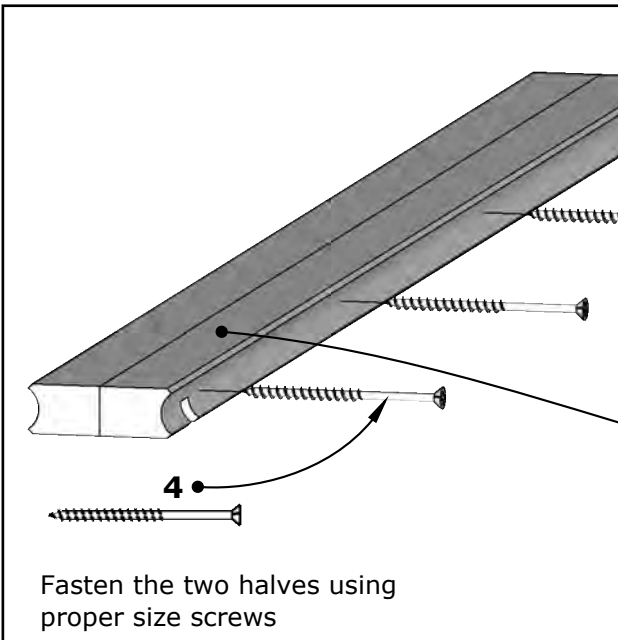
I



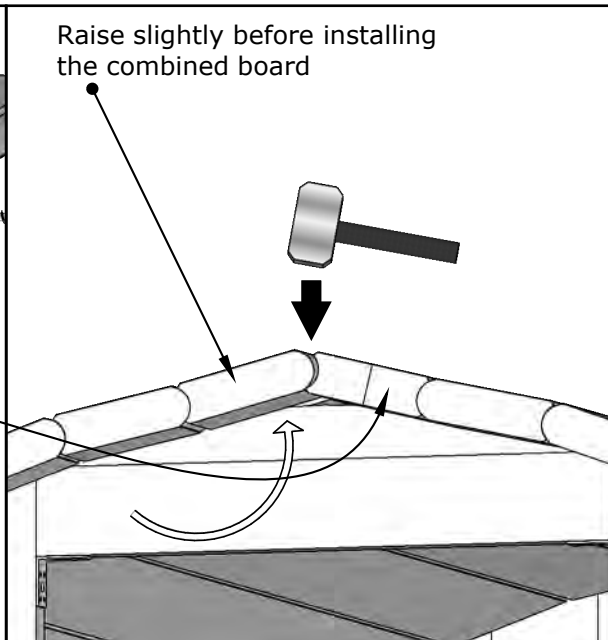
Join two boards together (as shown in diagram II) that will bridge the width of the "A" gap. It is recommended that the combined boards are approximately .25" wider than the gap.



If needed, trim the flat edge of the board to create the desired width.

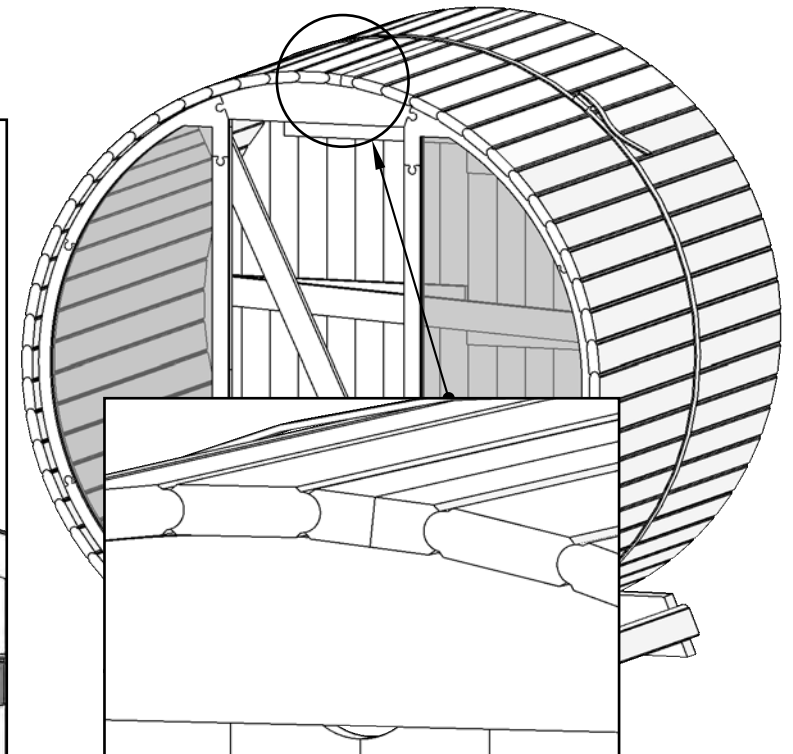


II



Raise slightly before installing the combined board

Fasten the two halves using proper size screws

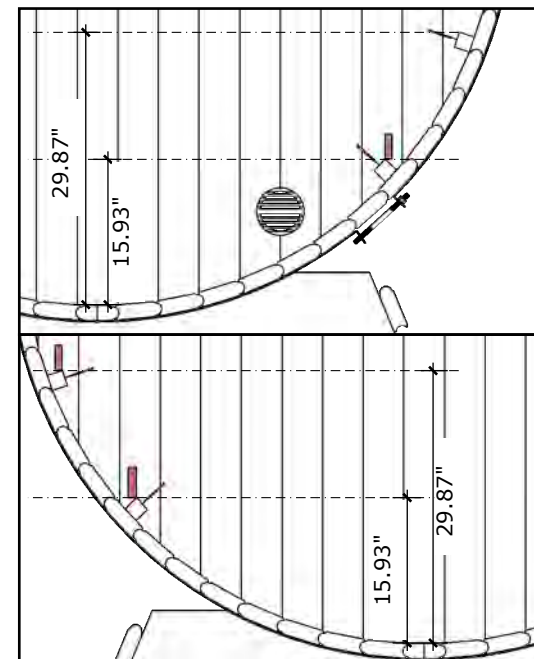
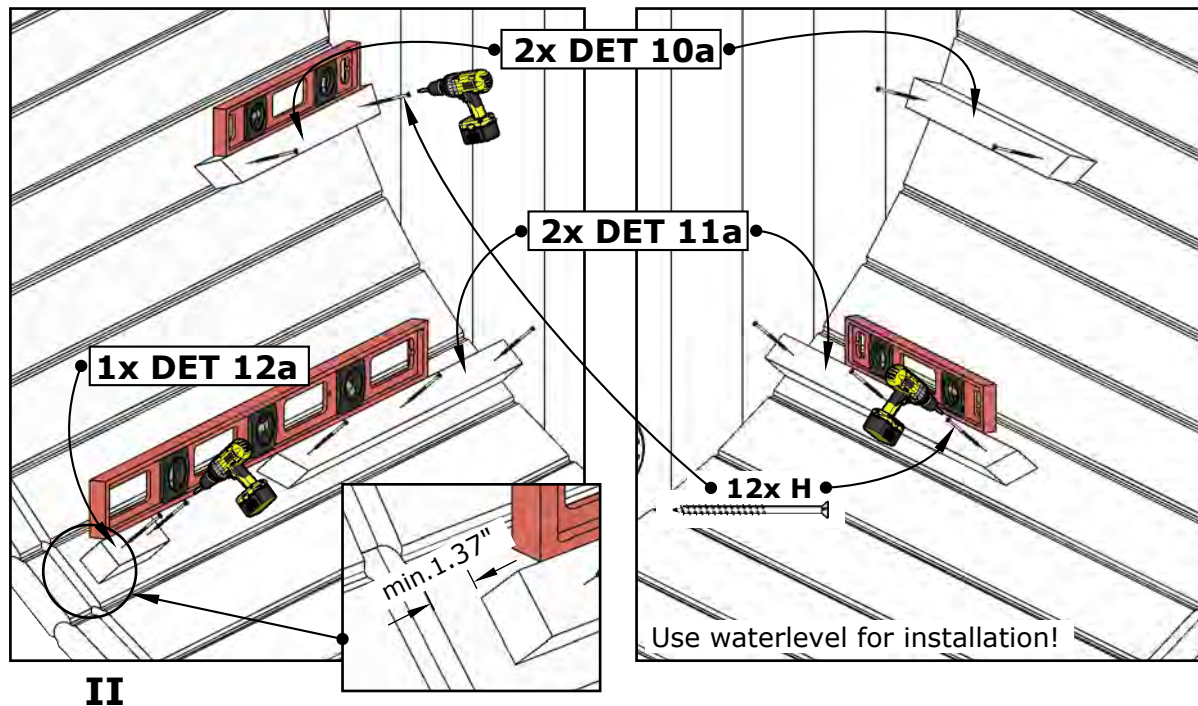
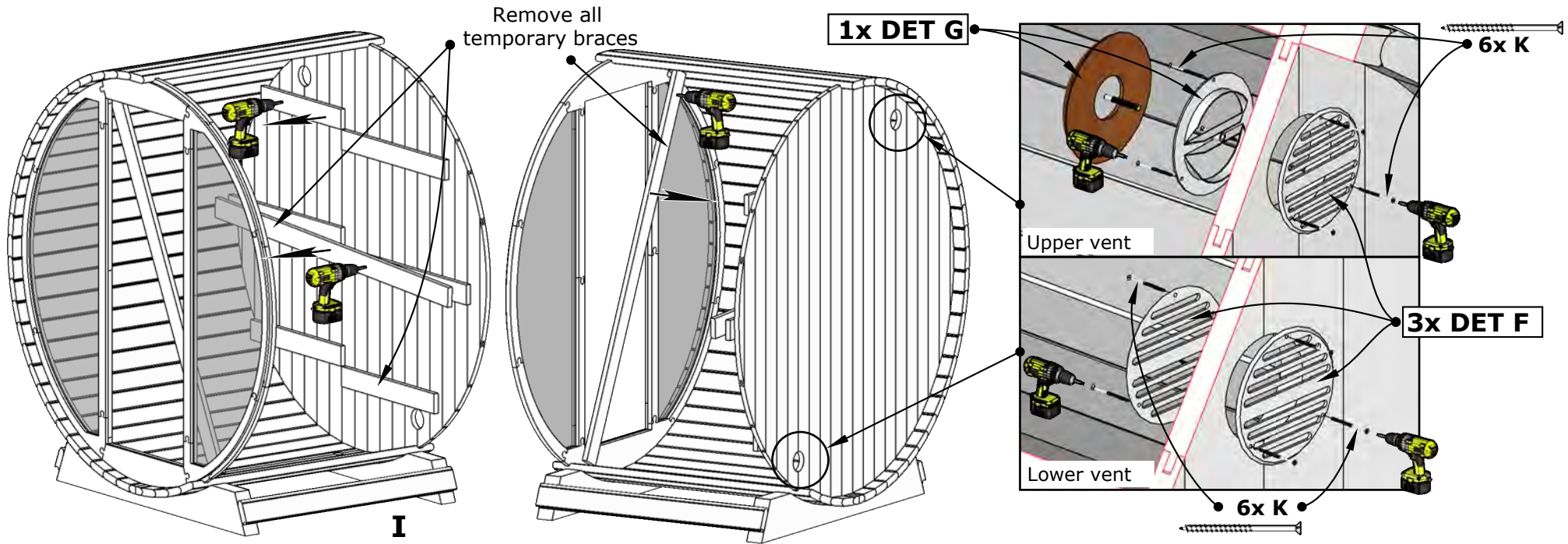


III

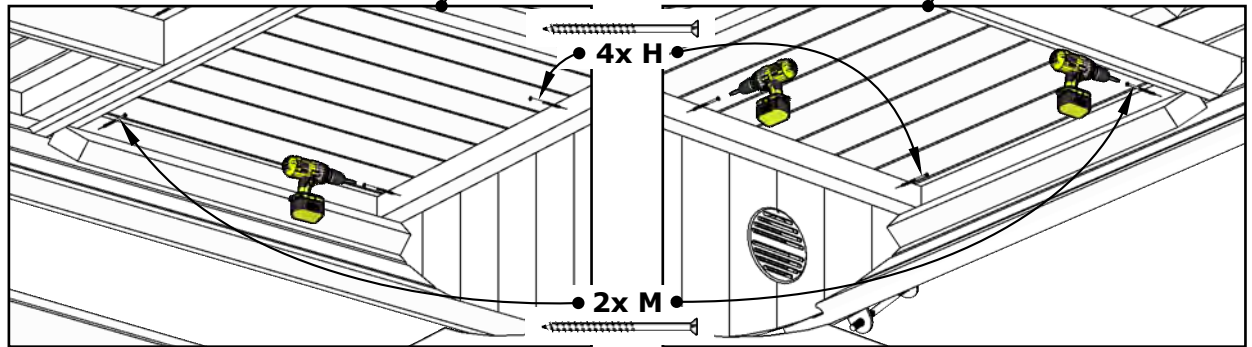
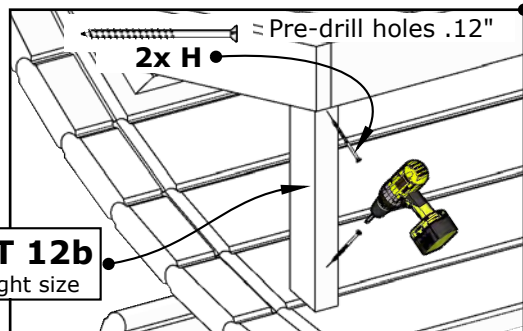
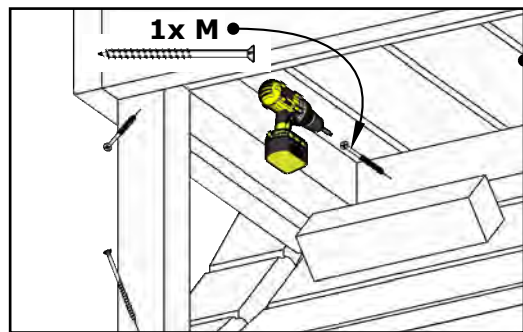
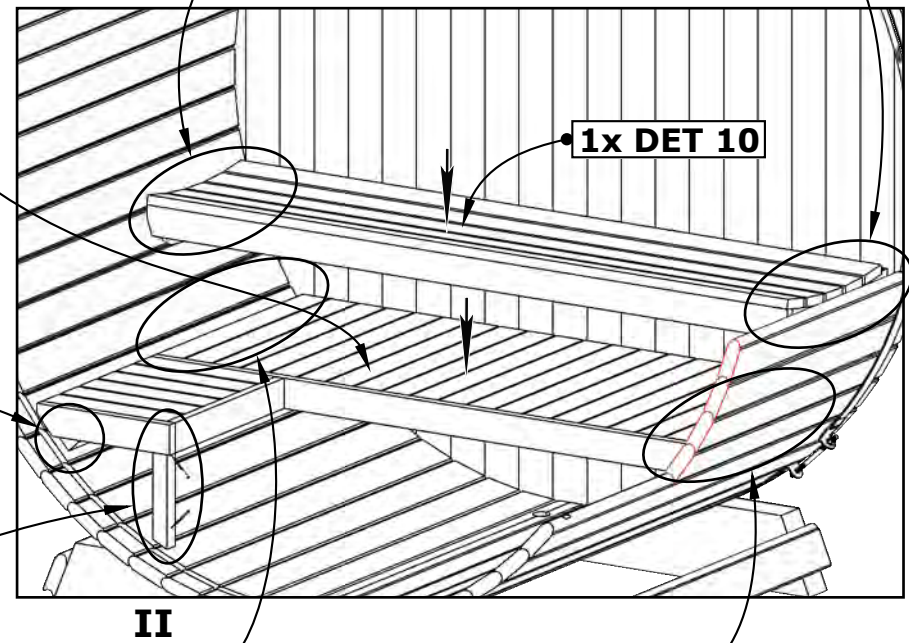
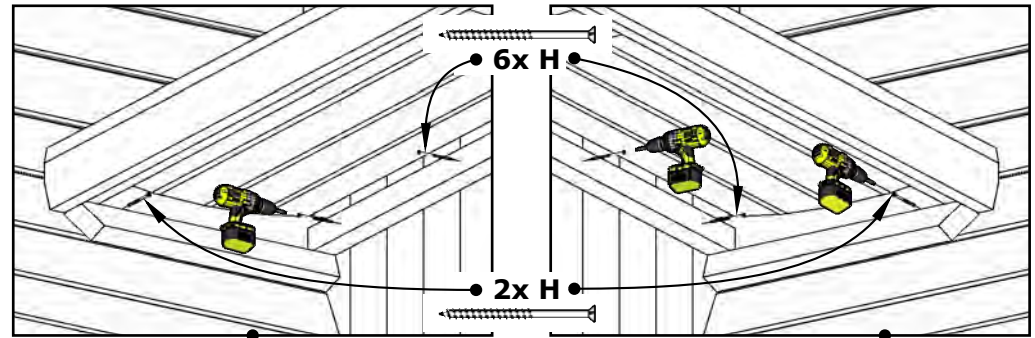
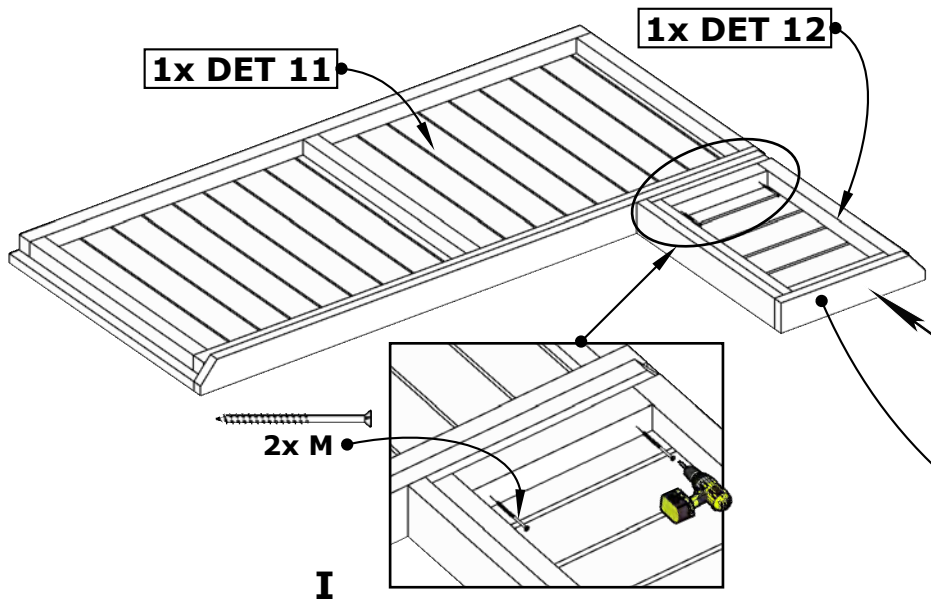


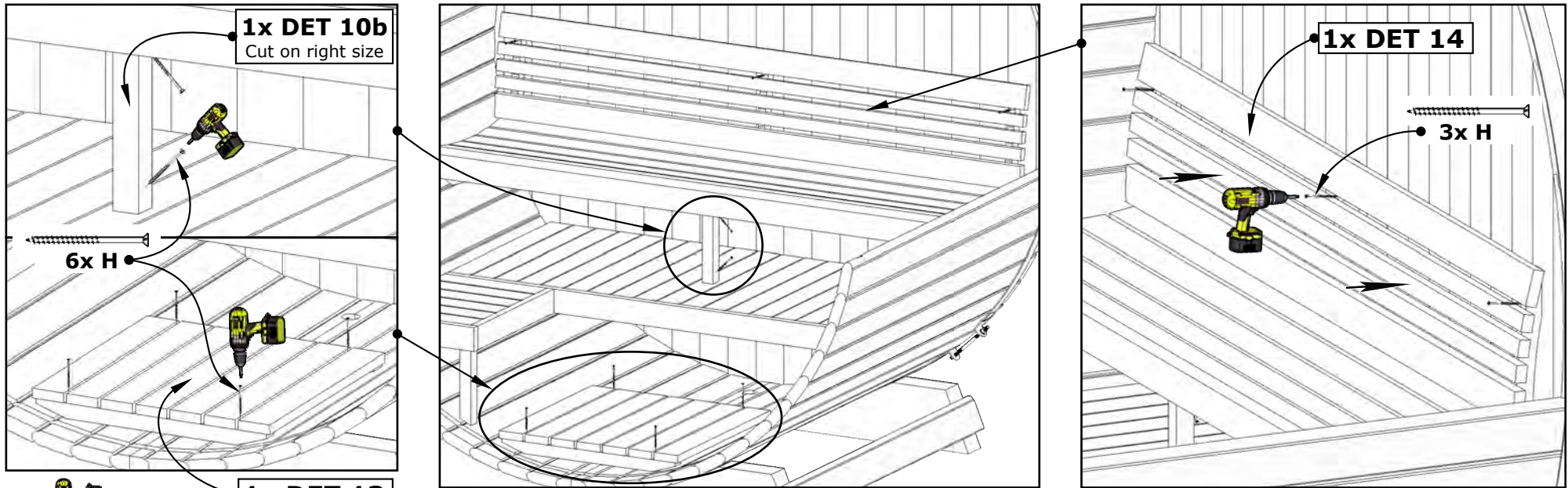


# EE6G Barrel Sauna 63D" x 90H"



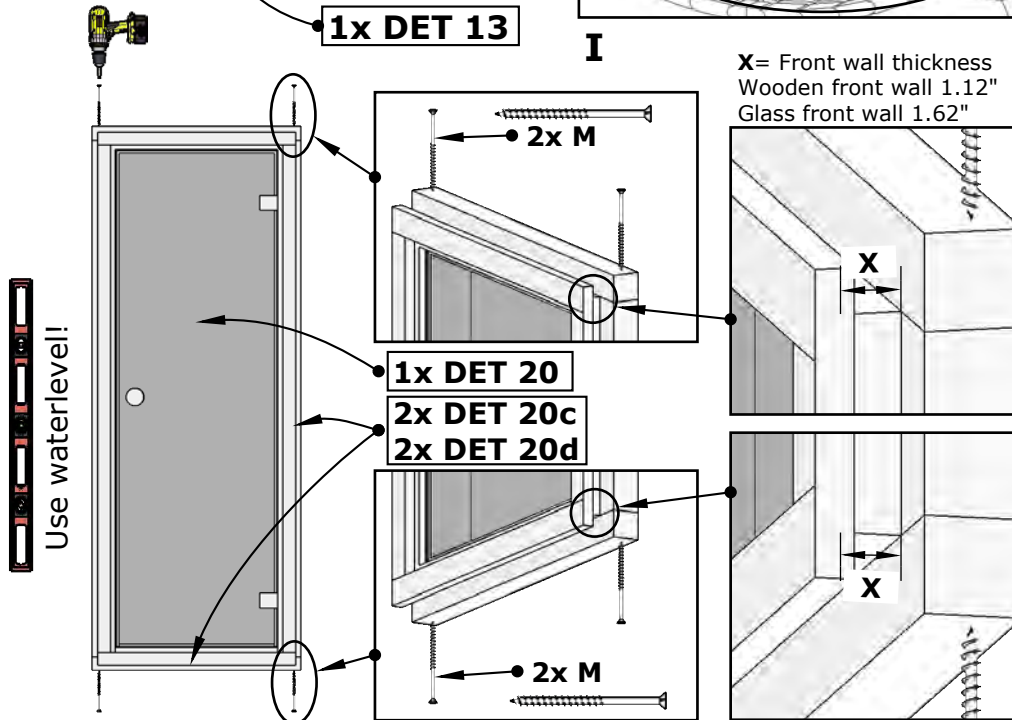
Use waterlevel for installation!



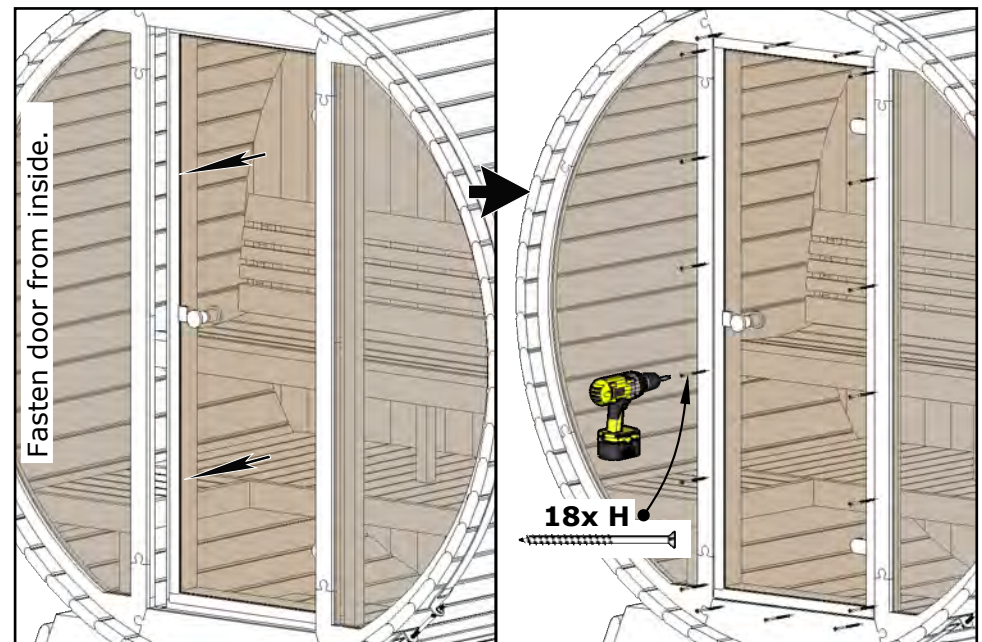


I

X= Front wall thickness  
 Wooden front wall 1.12"  
 Glass front wall 1.62"



II

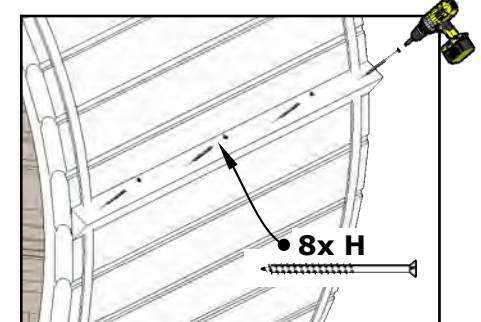
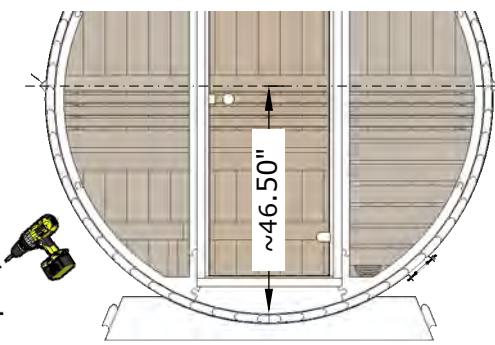
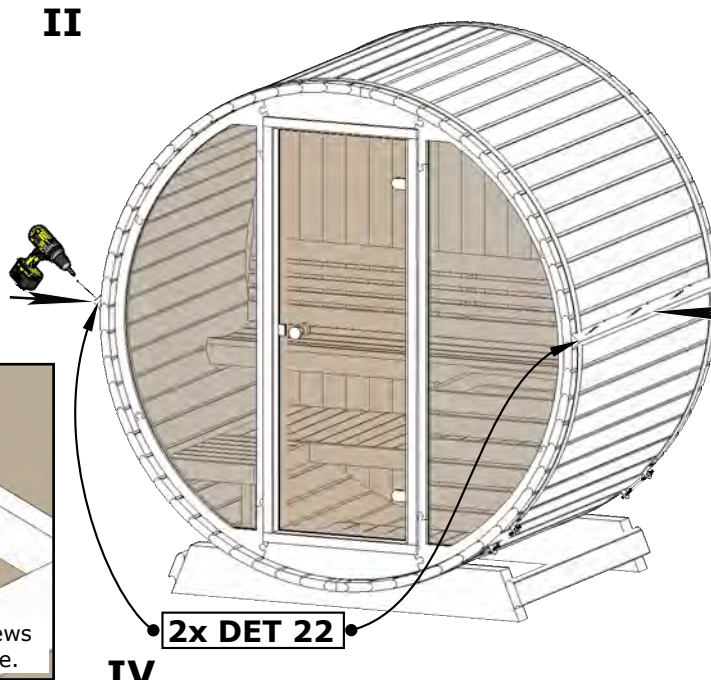
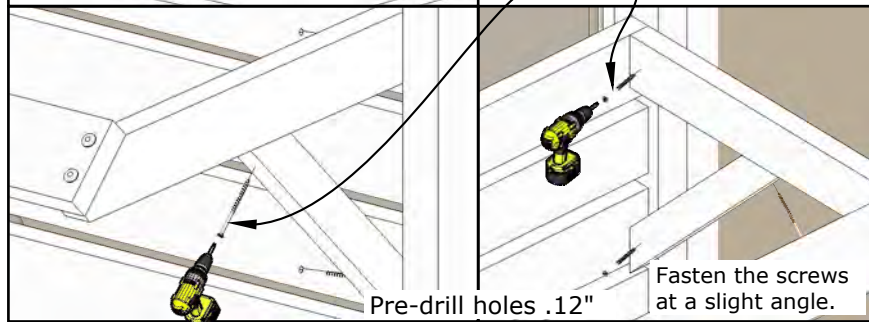
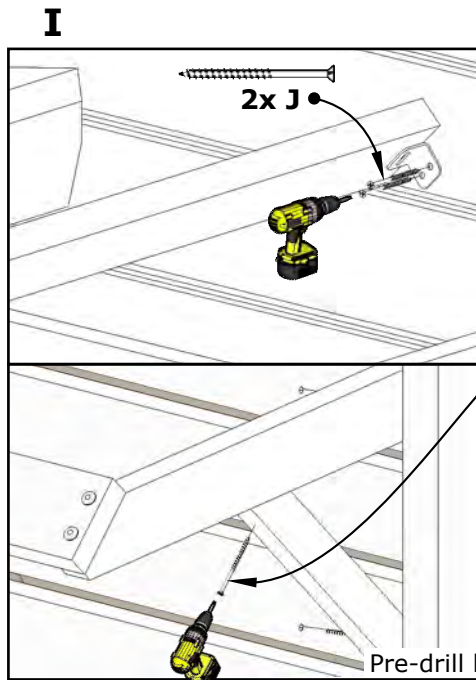
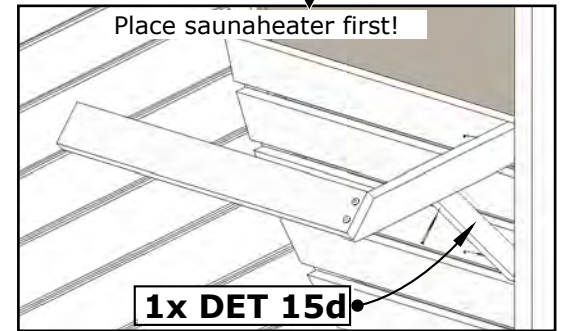
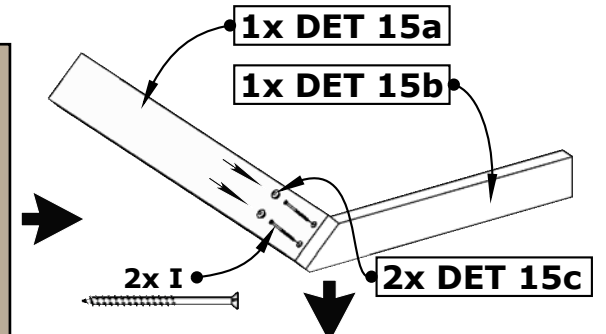
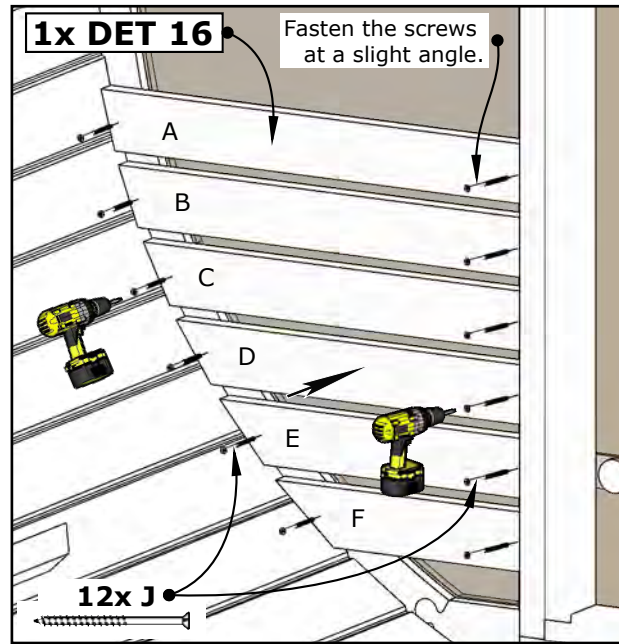
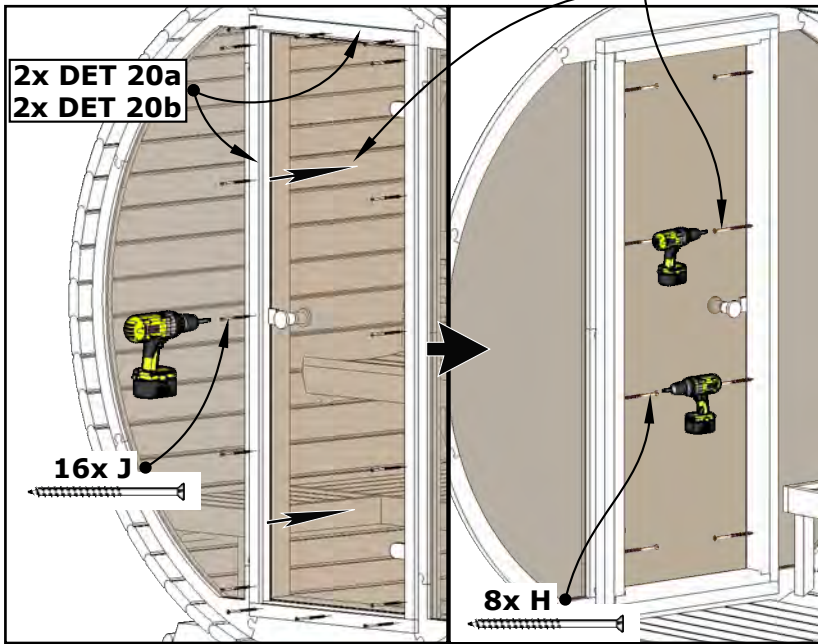


Fasten door from inside.

# EE6G Barrel Sauna 63D" x 90H"

Ensure door frame is pressed tightly against the wall and fasten from inside

Please be careful!!! Do not hit the glass with the screw.



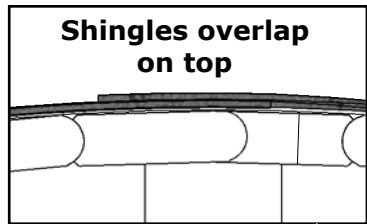
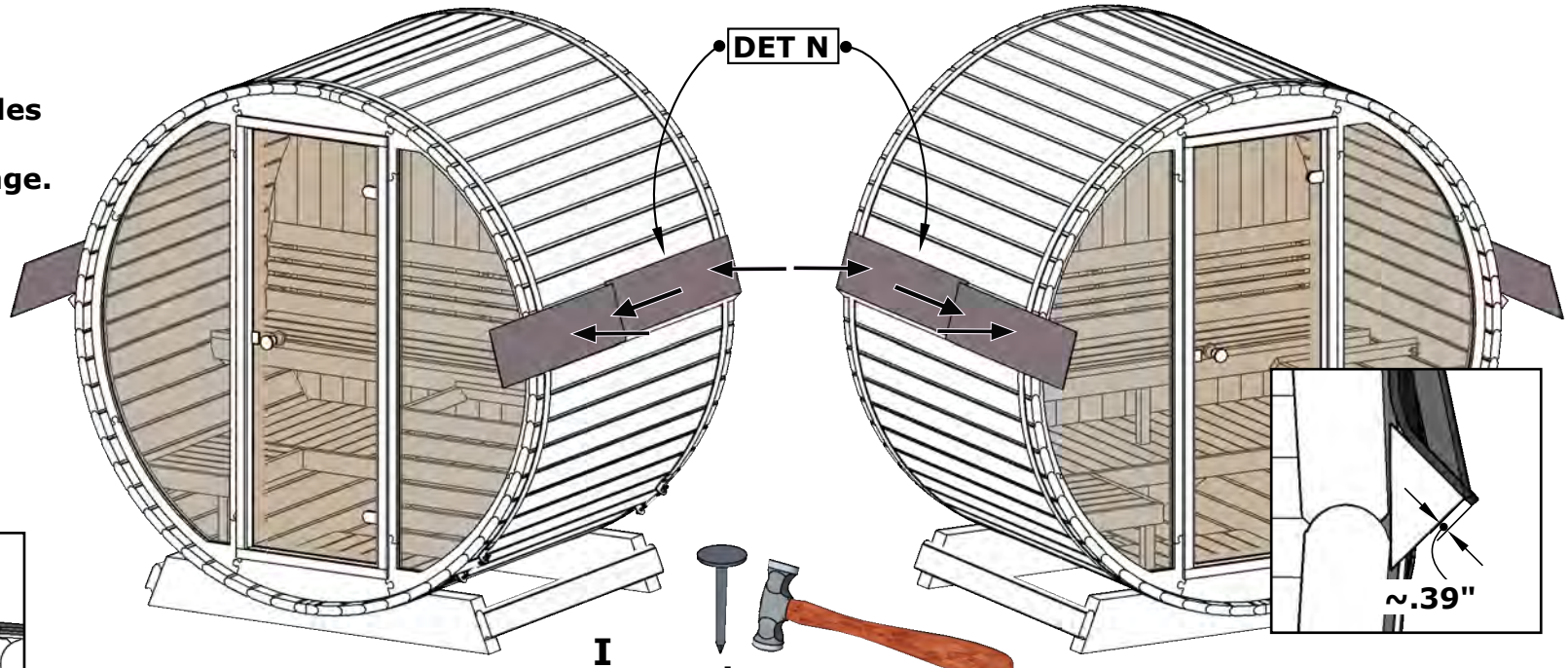
I

II

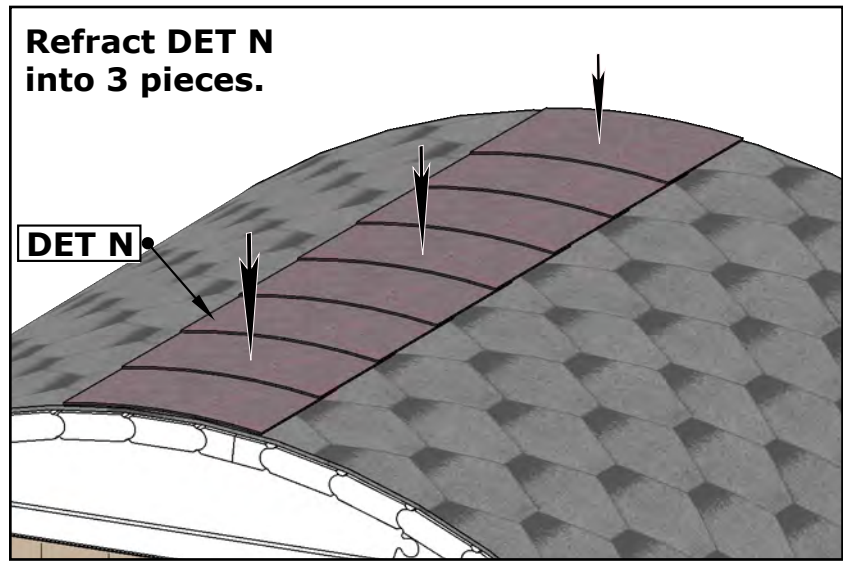
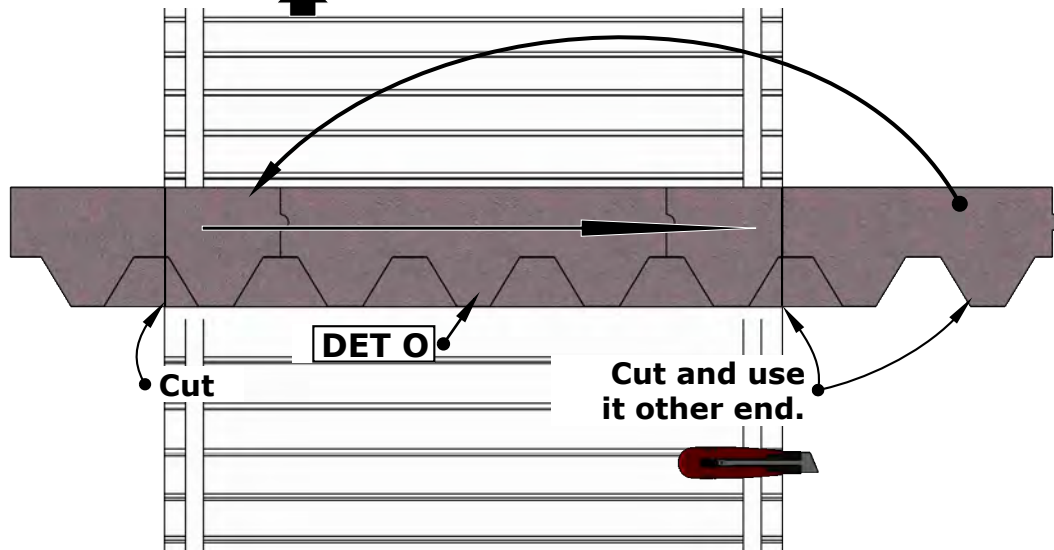
III

IV

**NB! Check also shingles installation manual inside shingles package.**

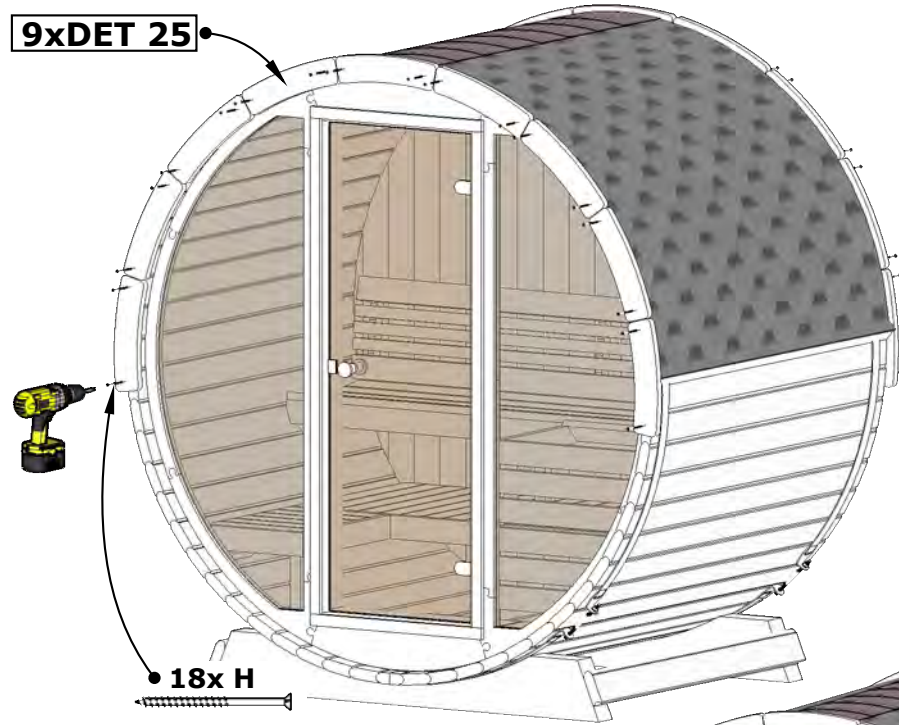


**Check also roof shingles installation manual inside package.**

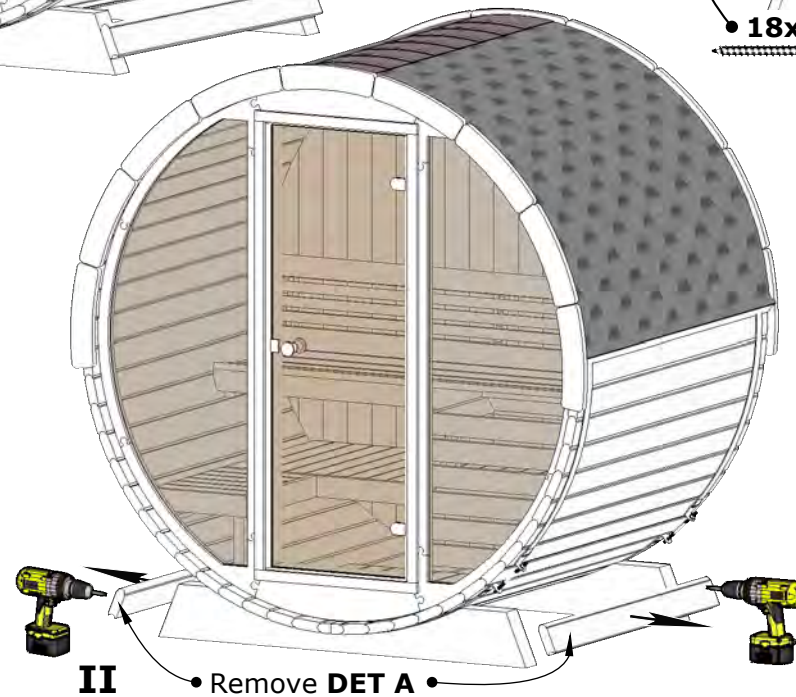
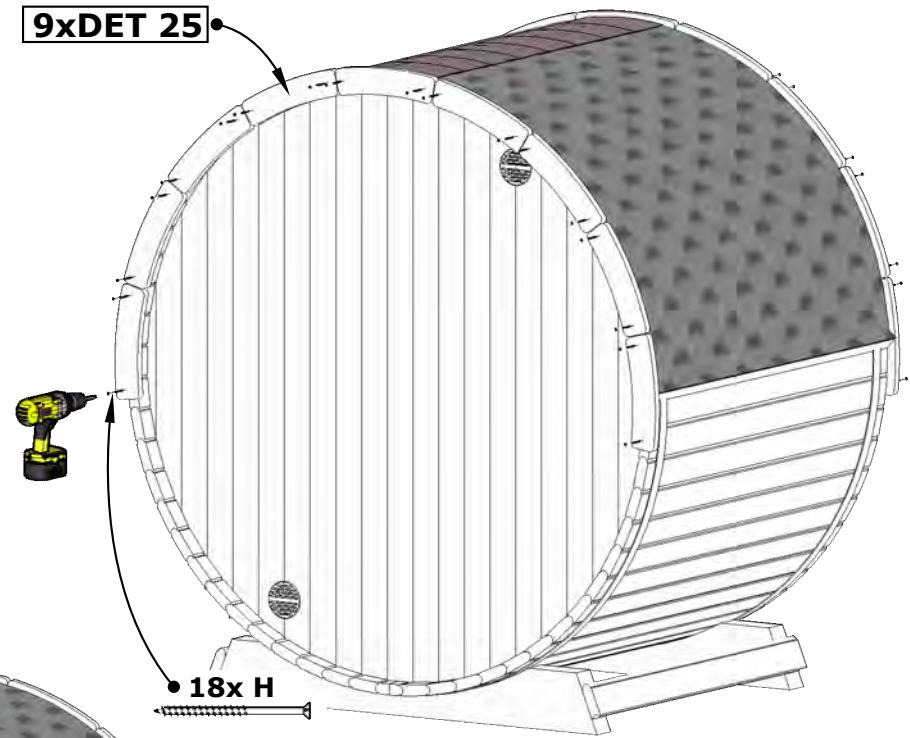


**II**

**III**



**I**



**II**