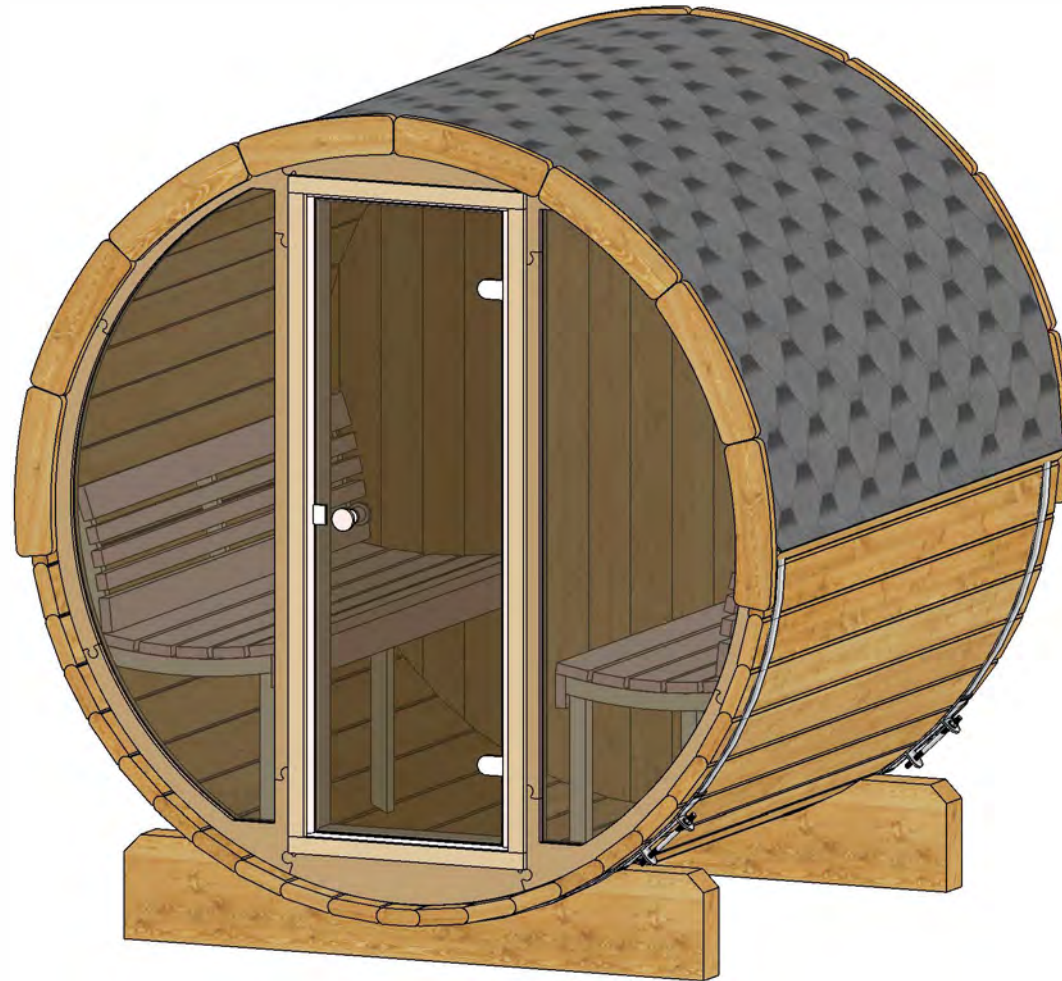




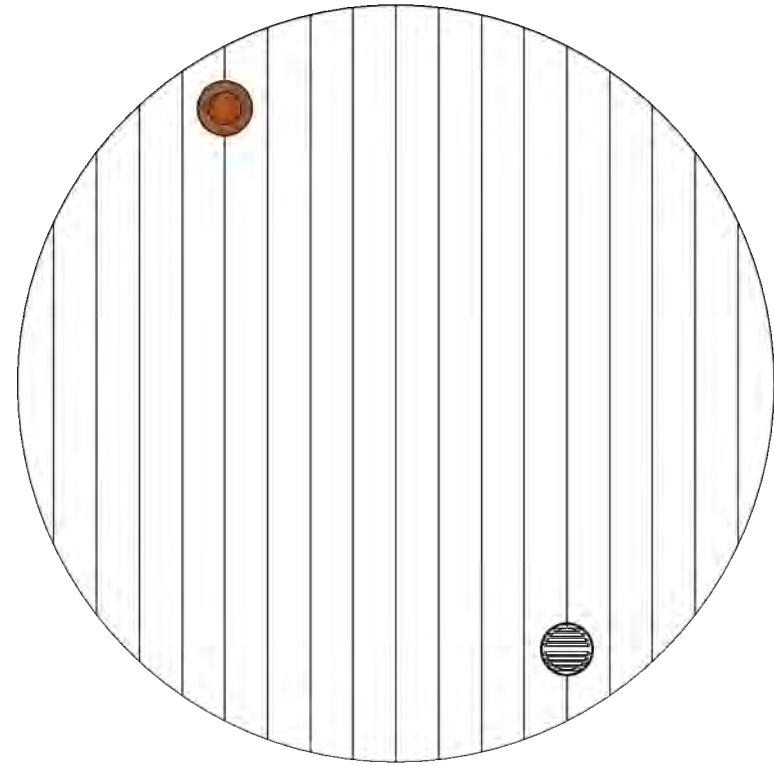
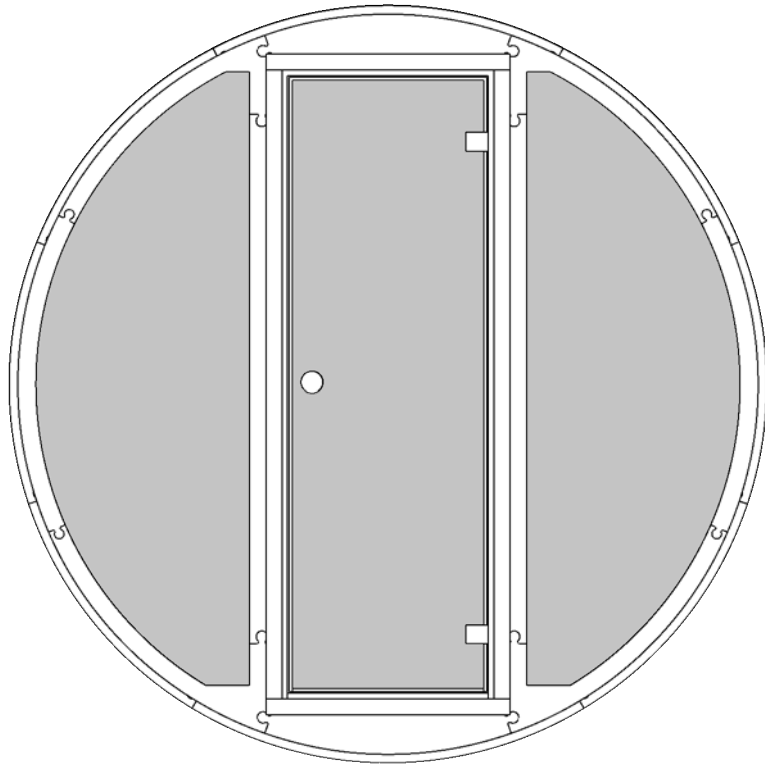
Ergo-Series E8G Barrel Sauna
Full Glass Front 87D" x 81H"



Note: Please read manual before construction

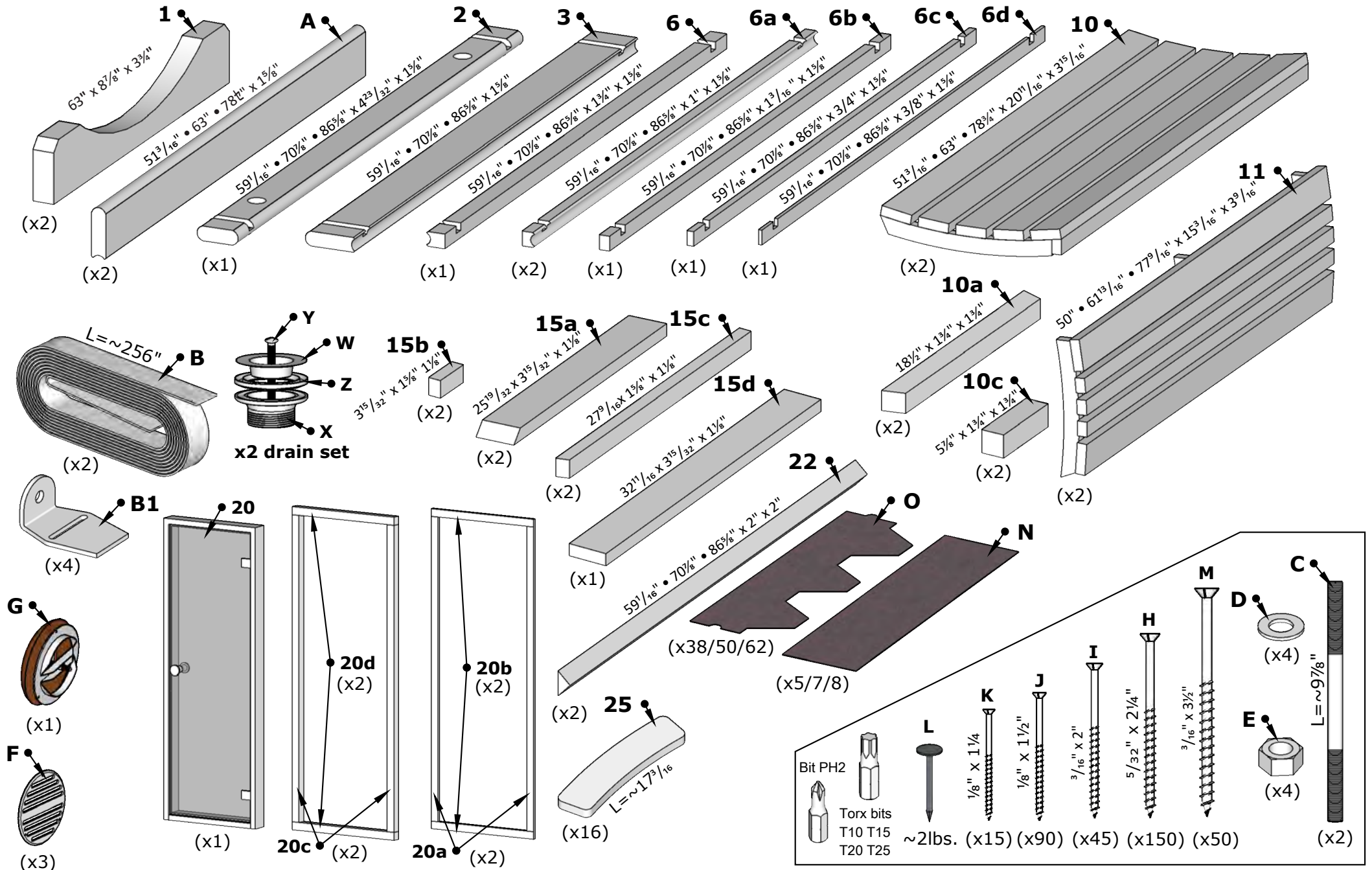
Rev 4/2023

Front & Back Walls

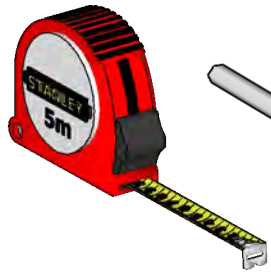


E8G Barrel Sauna 87D" x 81H"

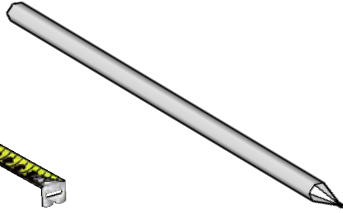
Details list.



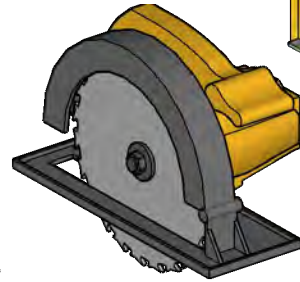
Tools needed



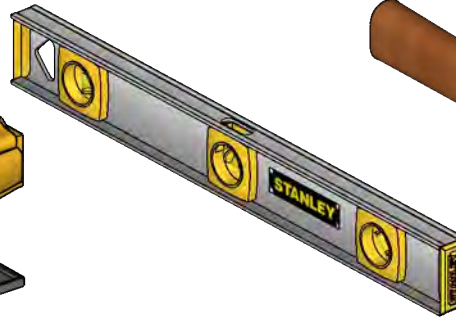
Measuring tape



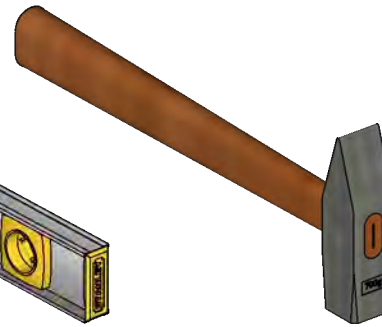
Marker pen



Circular saw



Water level



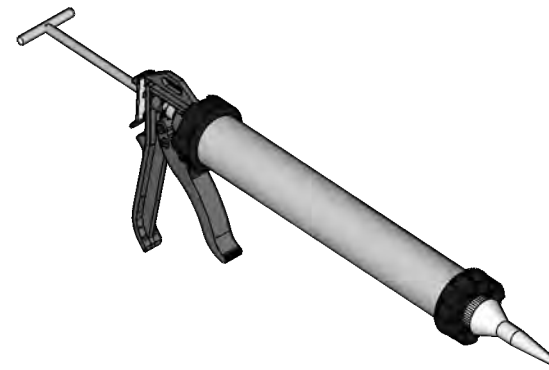
Hammer



Extra hands



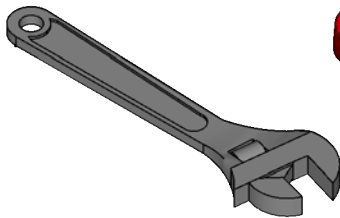
Ratchet strap



Silicone gun
(Only glass-wall models)



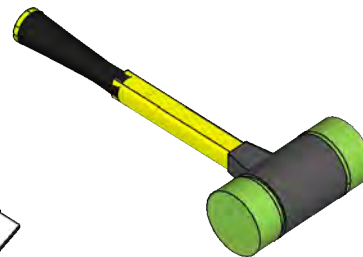
Drill



Crescent wrench

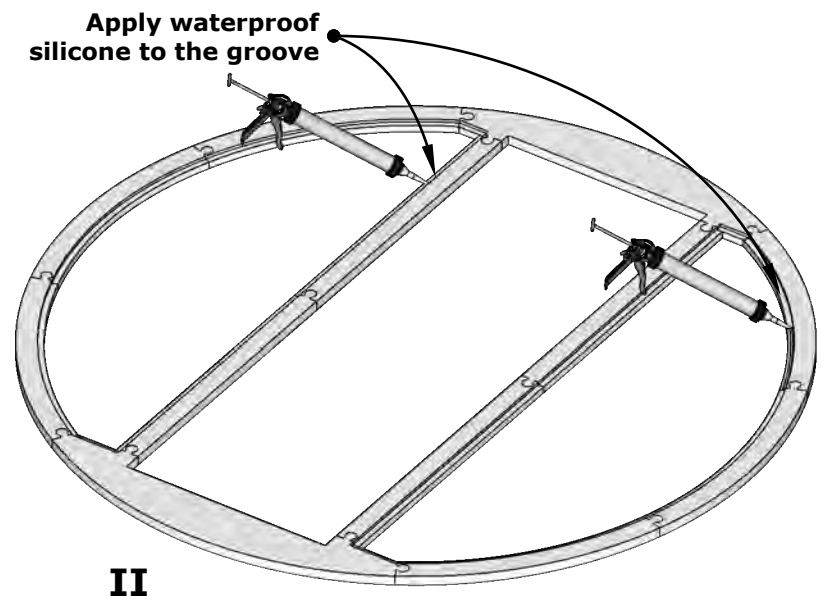
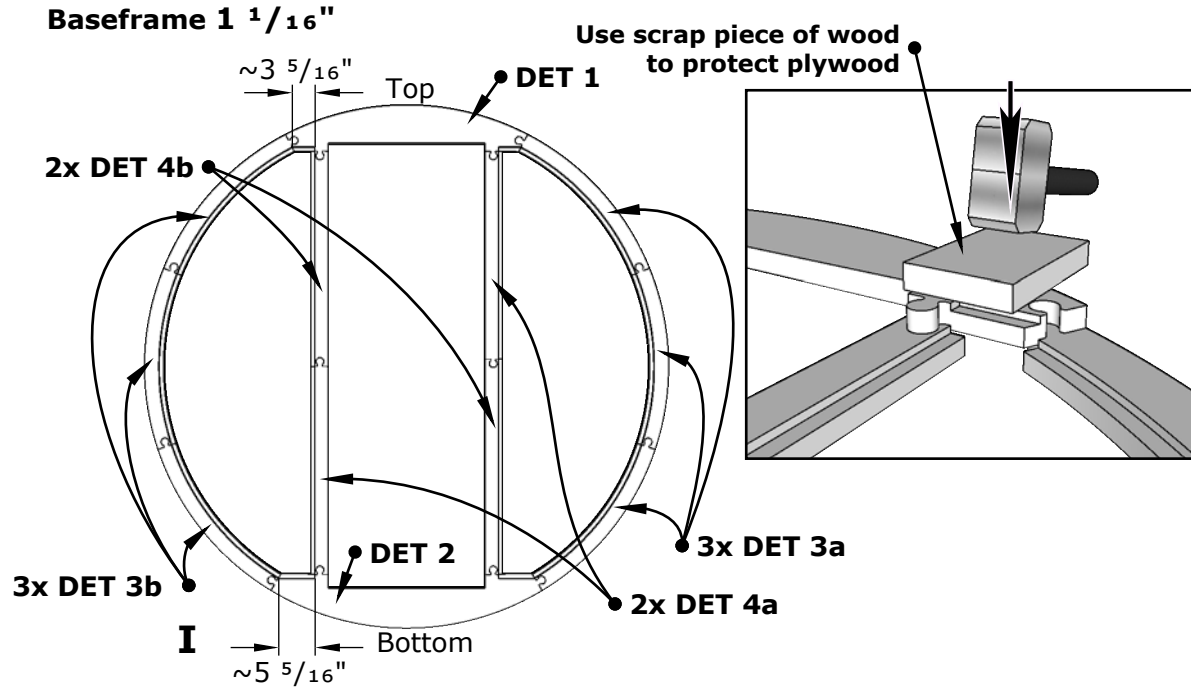
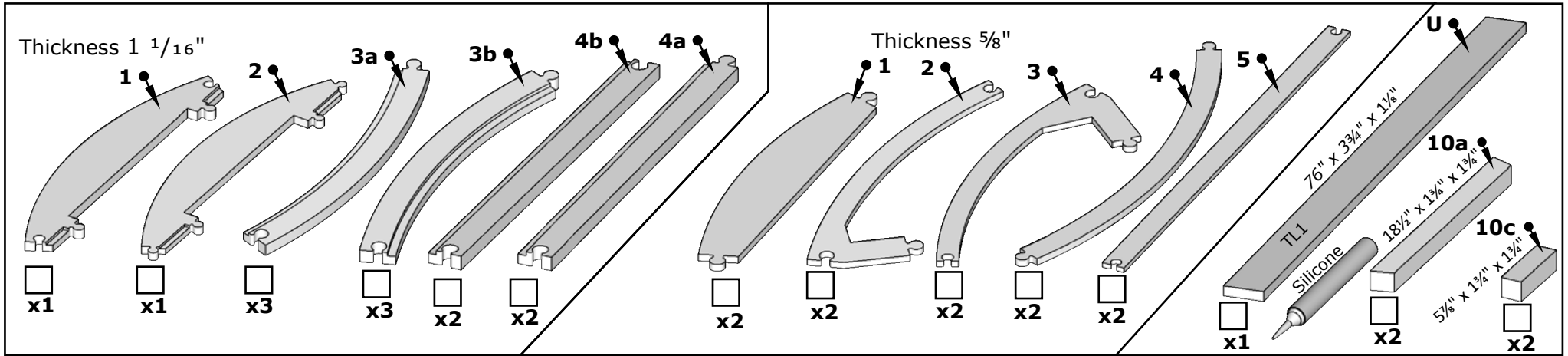


Utility knife



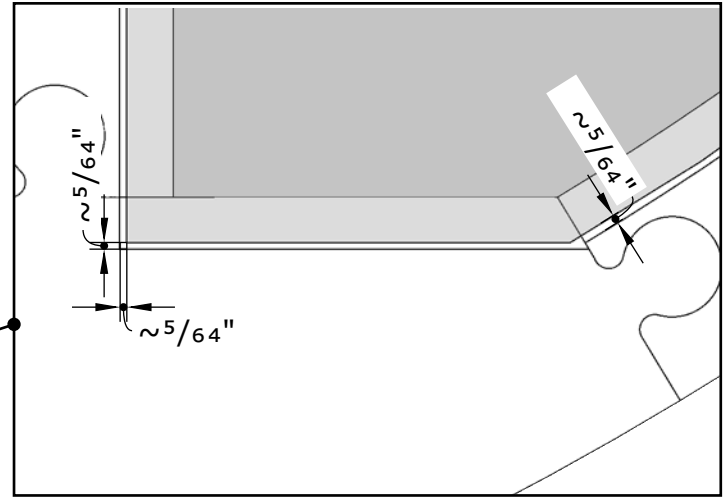
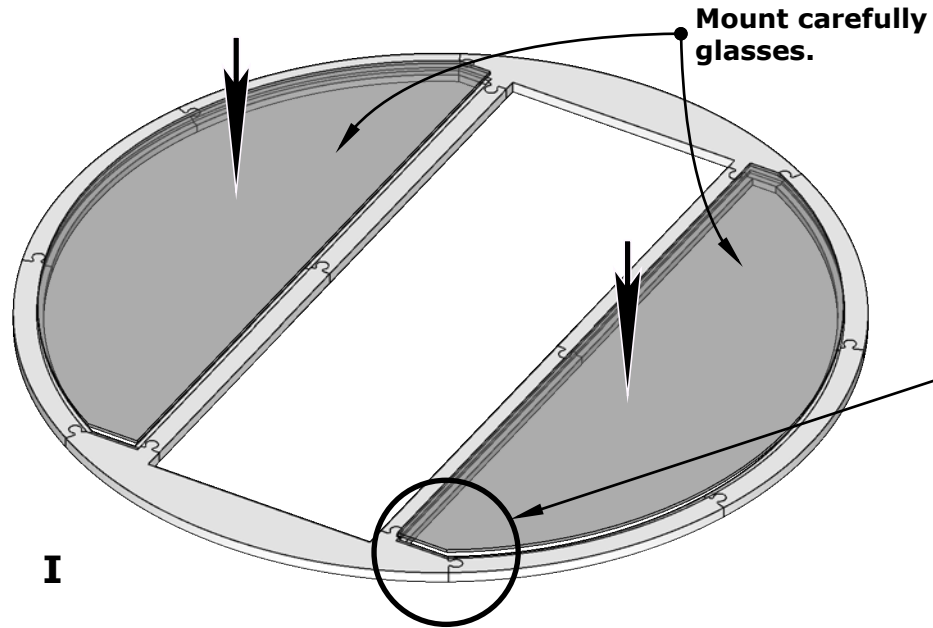
Rubber mallet

Front glass wall installation

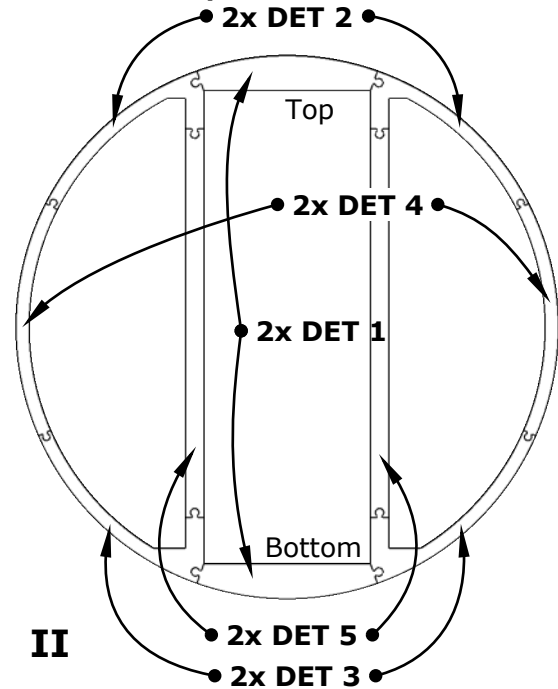


1.

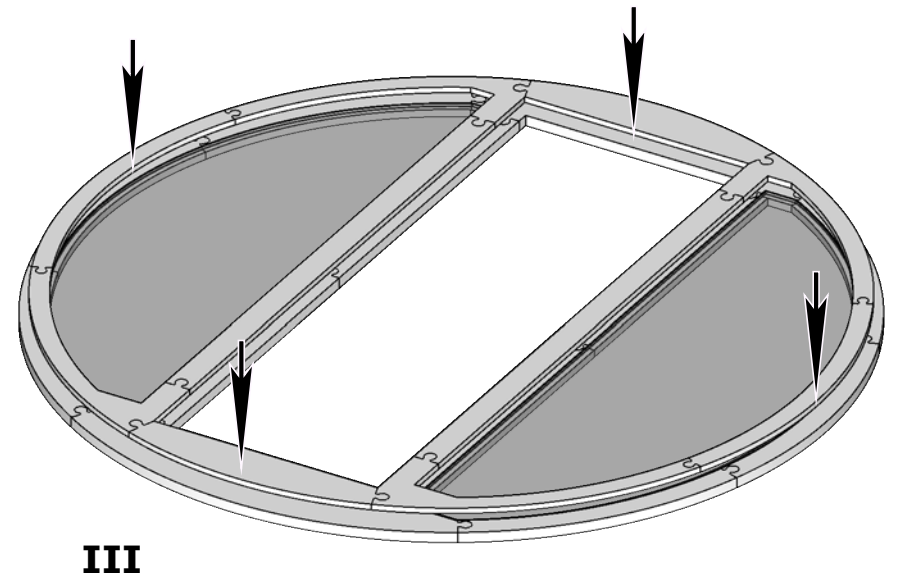
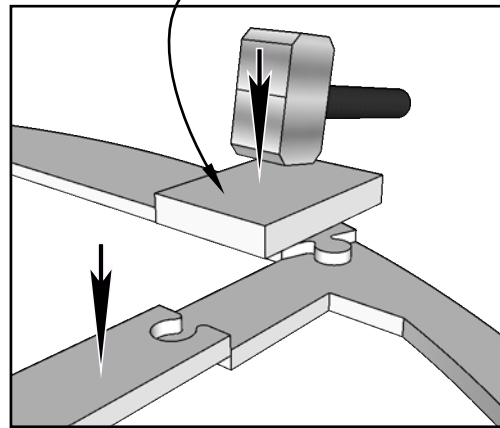
Front glass wall installation



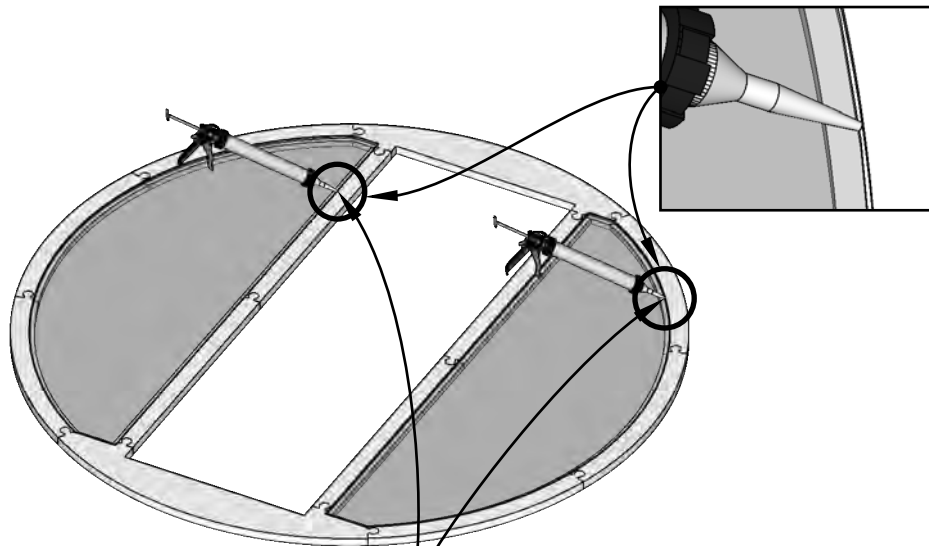
Coverframe $19/32''$



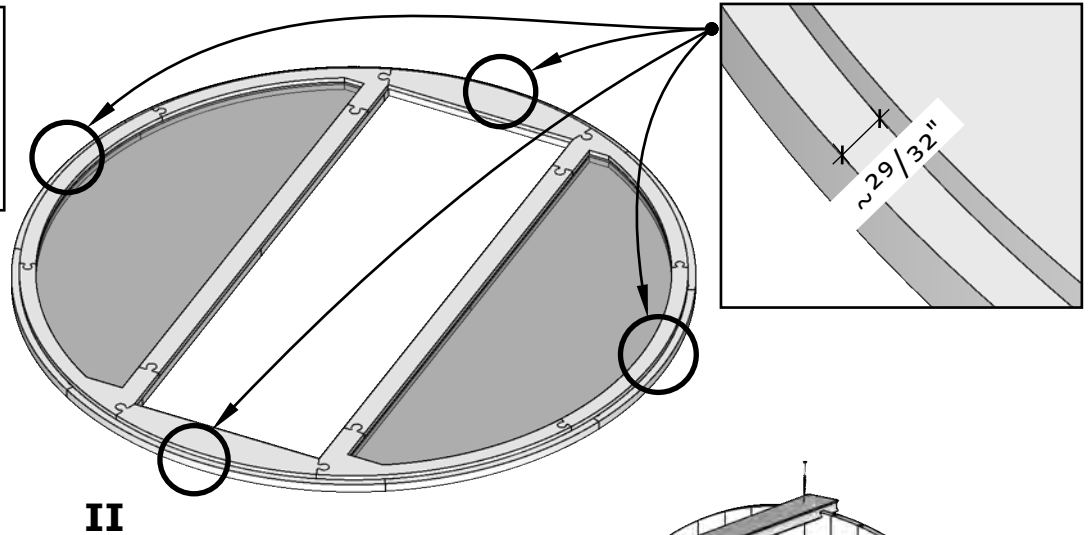
Use scrap piece of wood to protect plywood



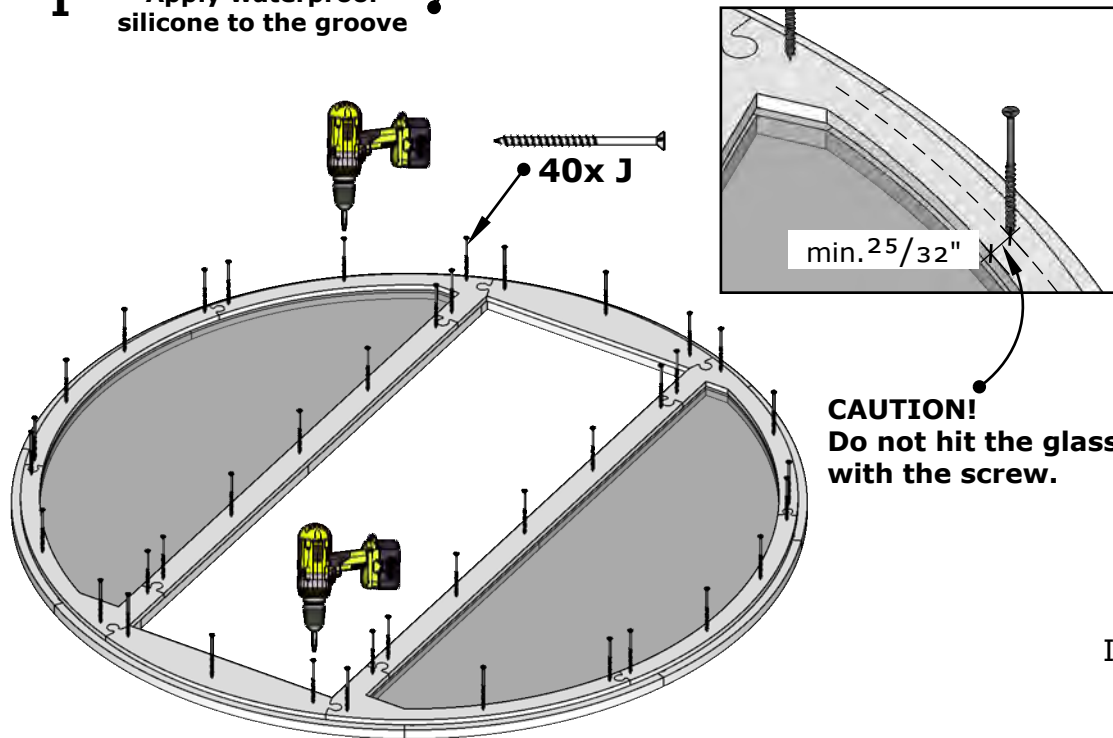
Front glass wall installation



I Apply waterproof silicone to the groove

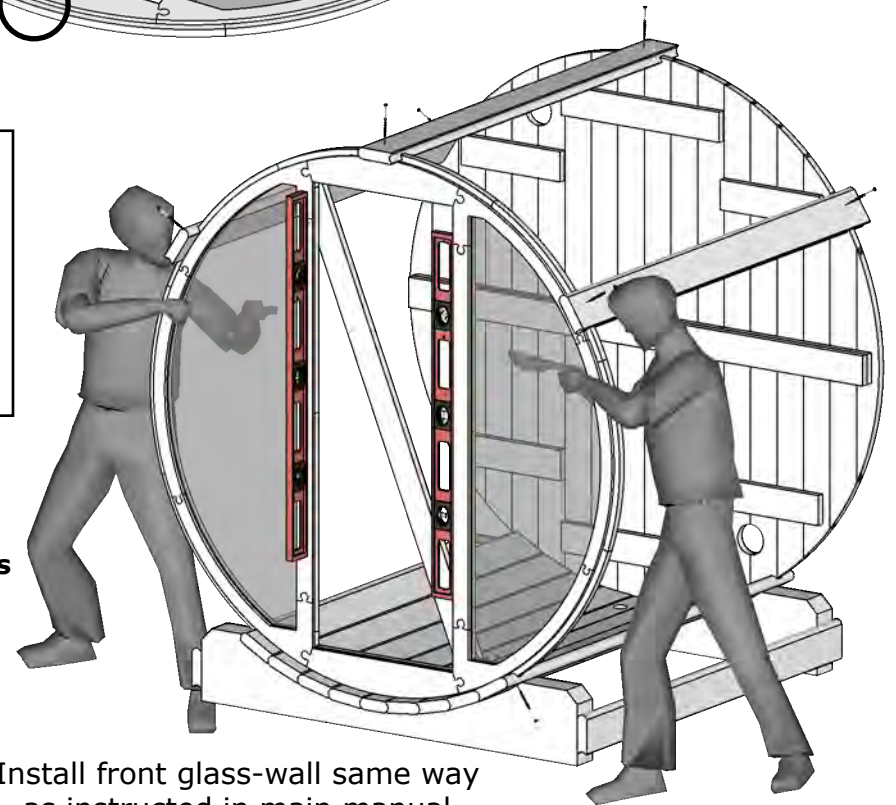


II



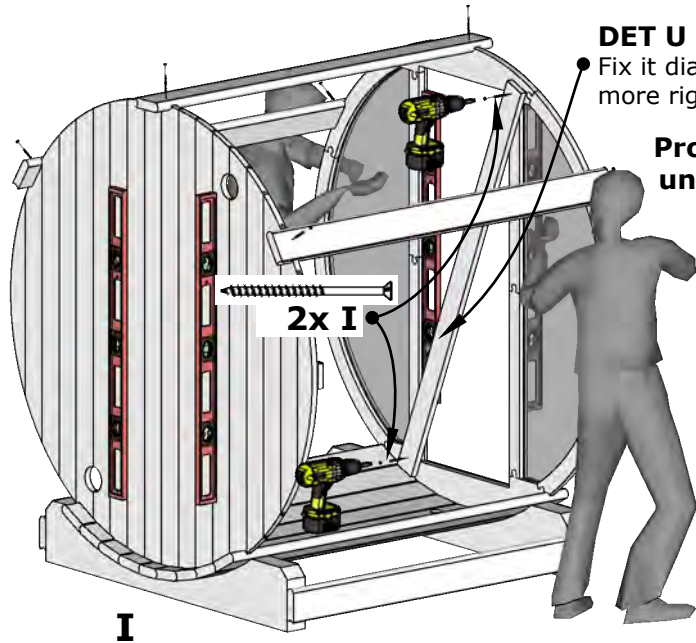
CAUTION!
Do not hit the glass with the screw.

III



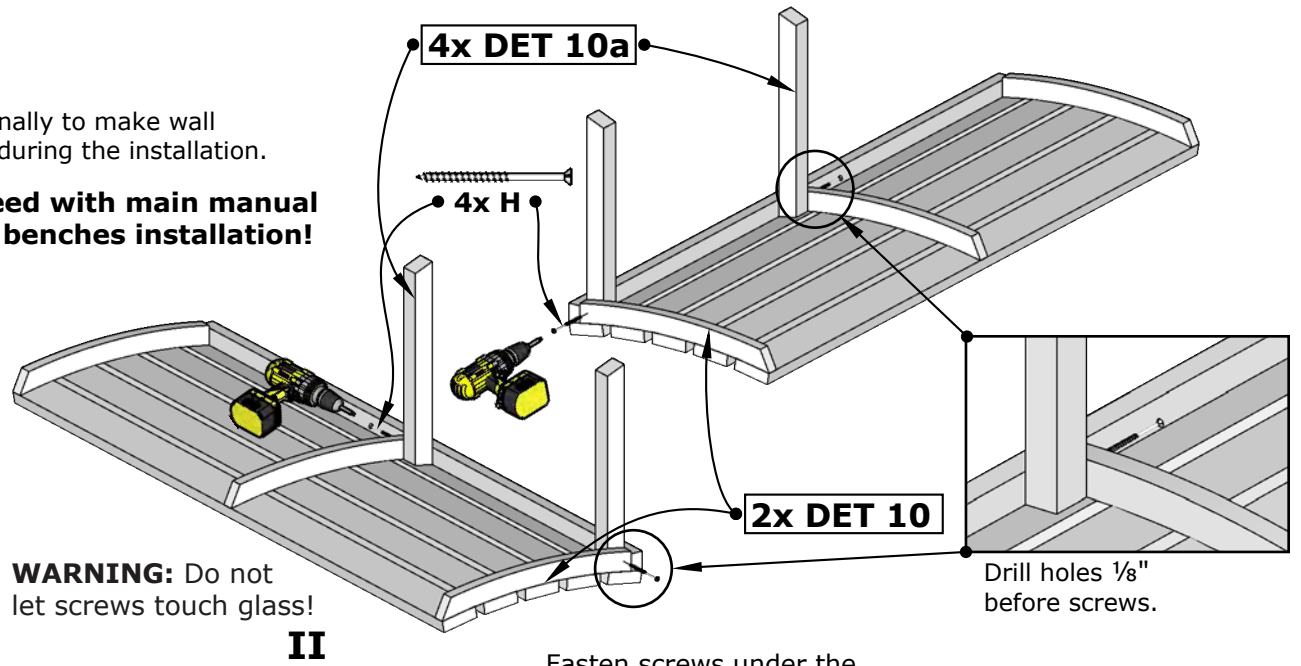
IV

Front glass wall installation

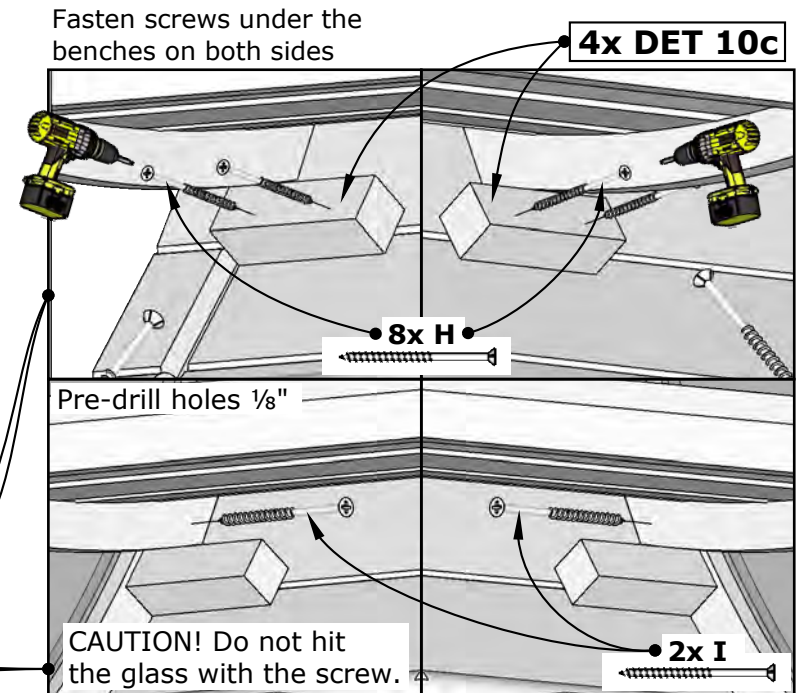
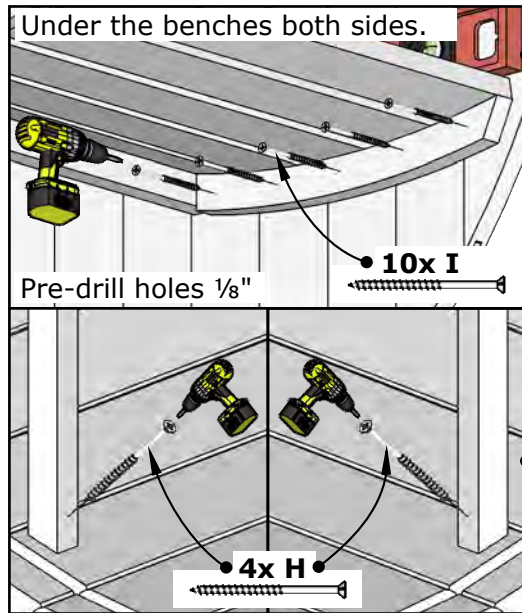


DET U
 Fix it diagonally to make wall more rigid during the installation.

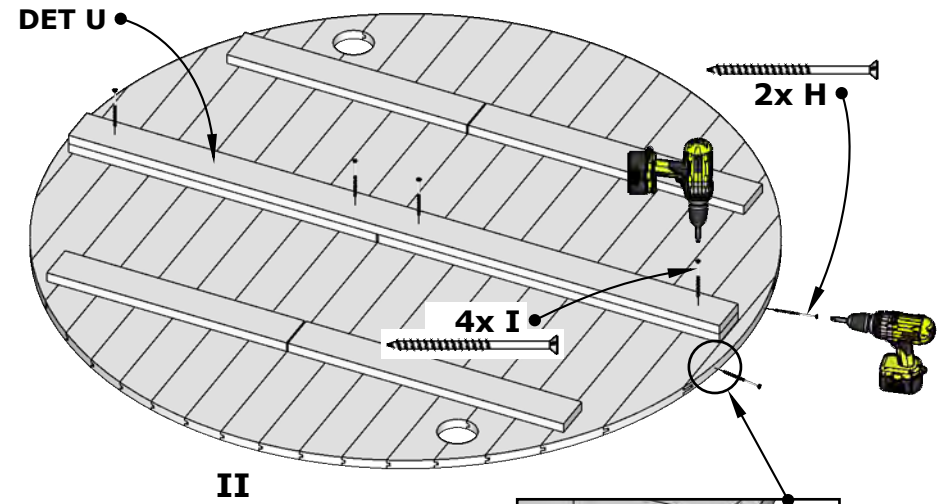
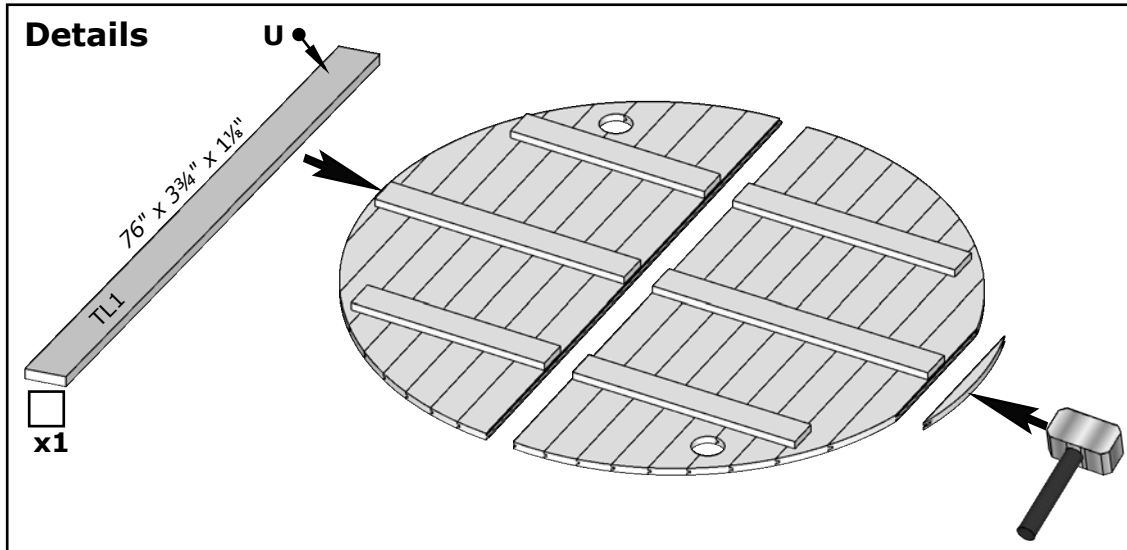
Proceed with main manual until benches installation!



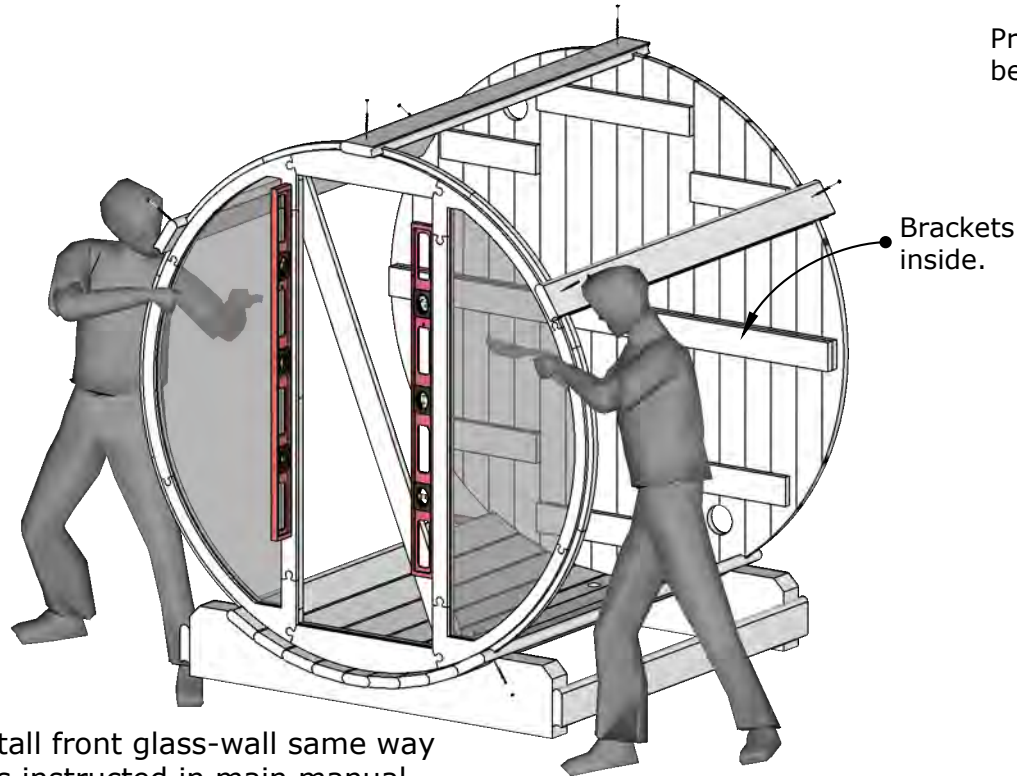
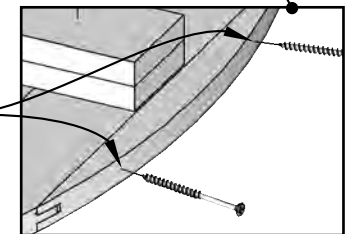
Drill holes 1/8" before screws.



Wooden back wall assembly



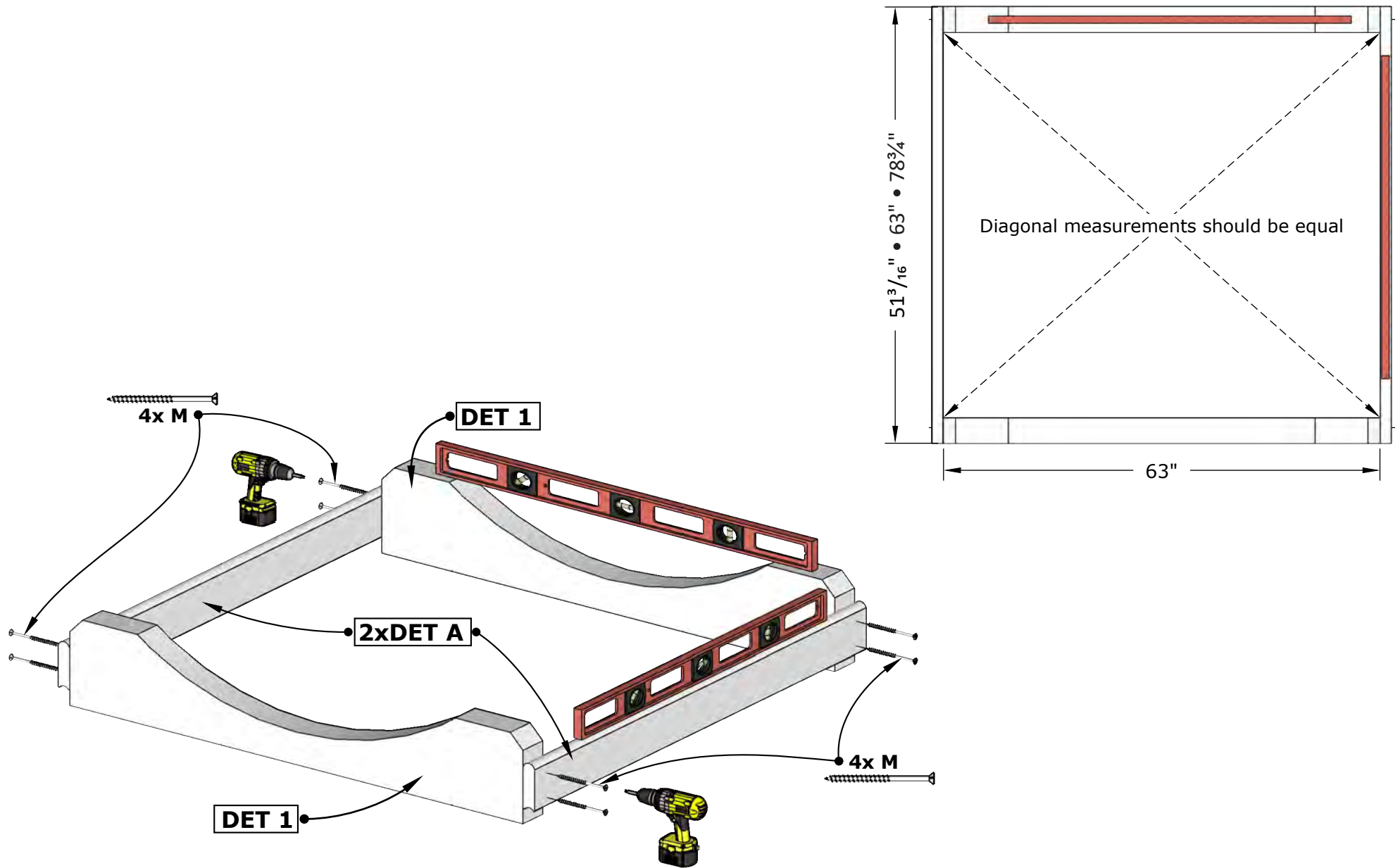
Pre-drill holes 5/32" before screws.



Install front glass-wall same way as instructed in main manual.

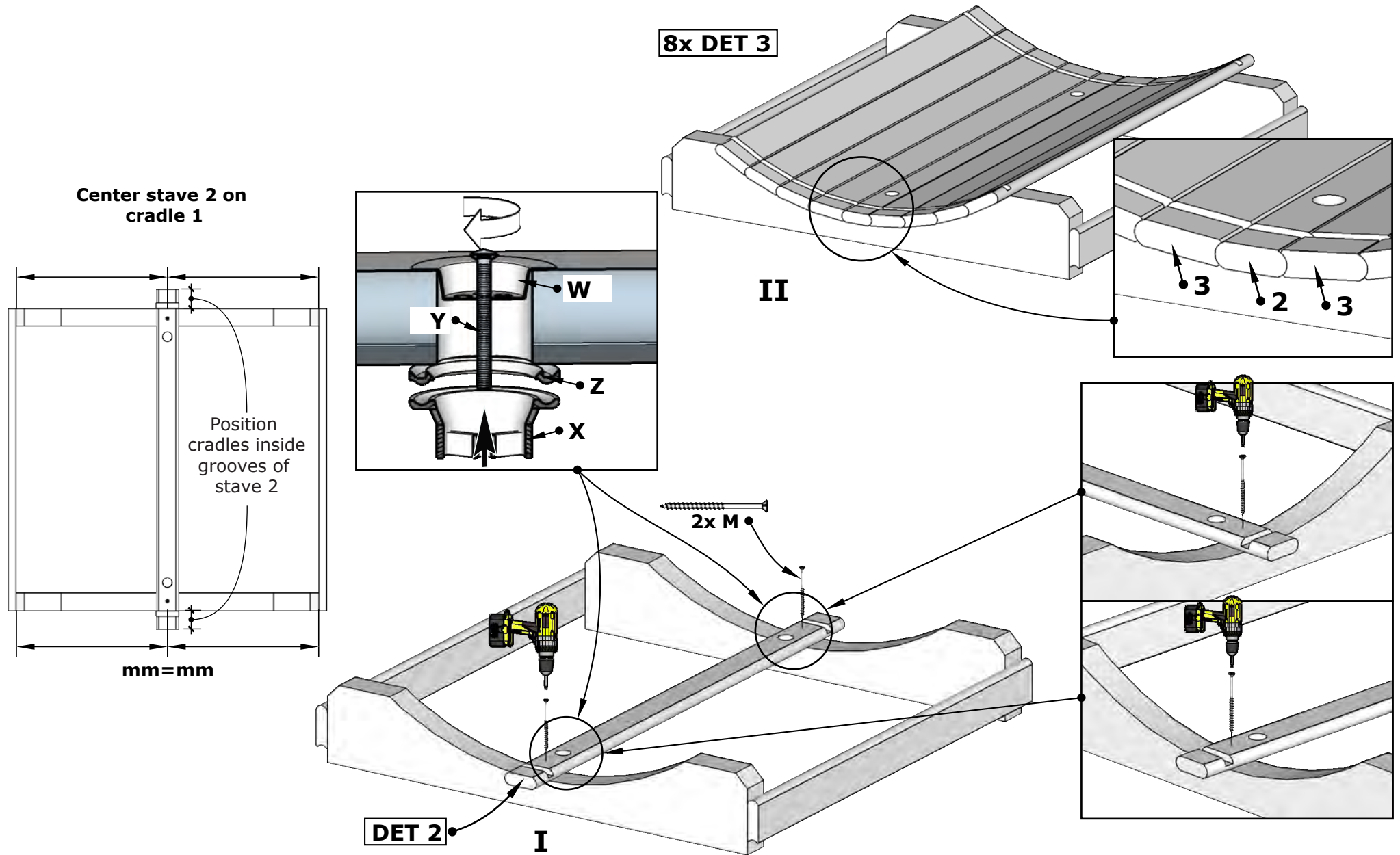
III

E8G Barrel Sauna 87D" x 81H"

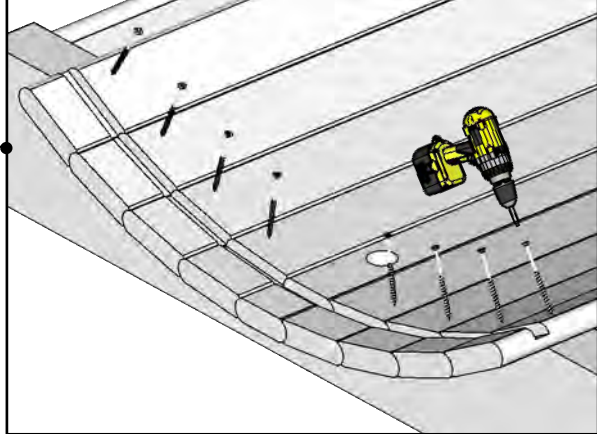
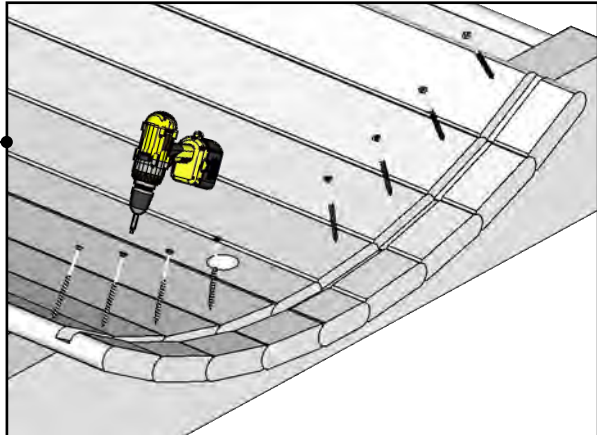
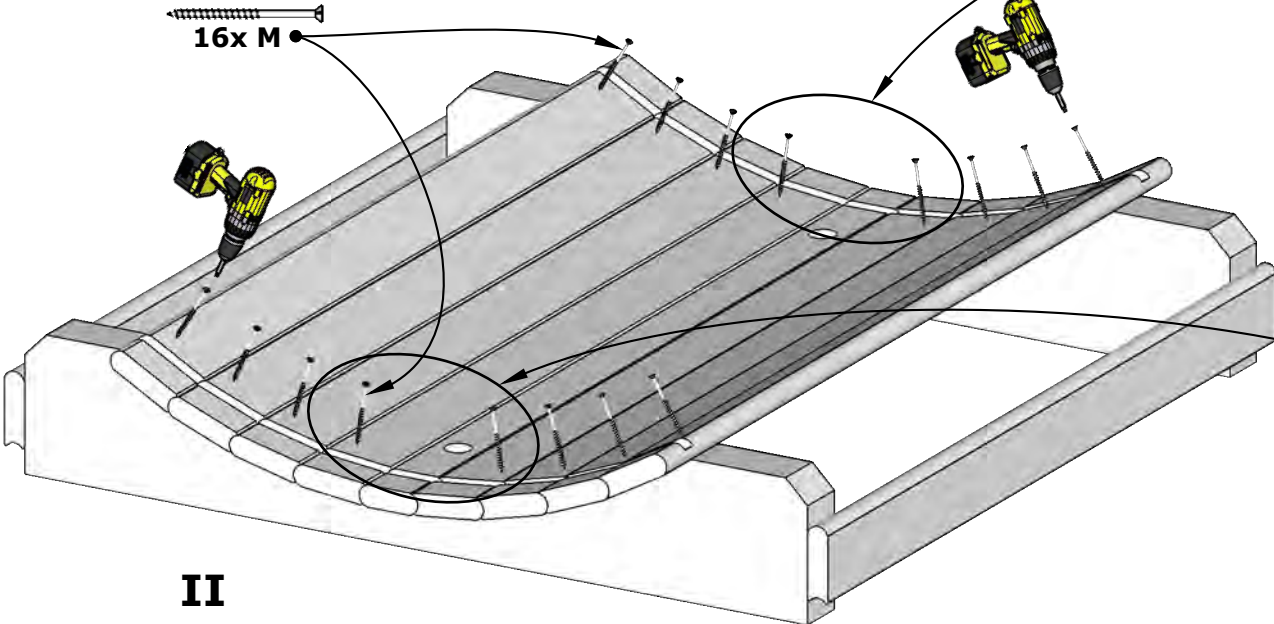
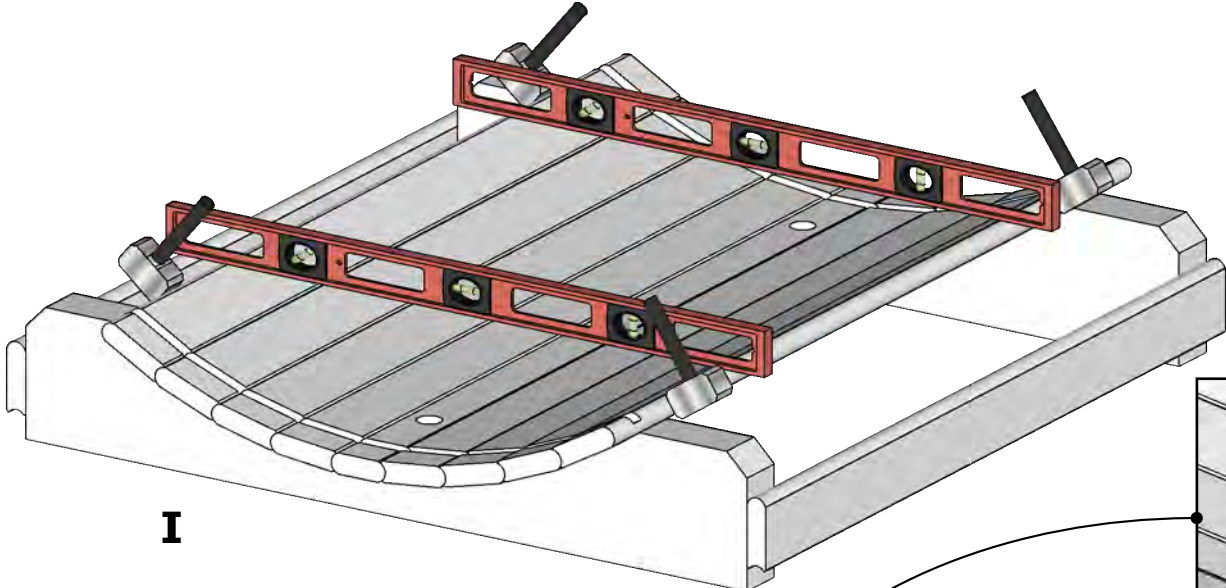


1.

E8G Barrel Sauna 87D" x 81H"

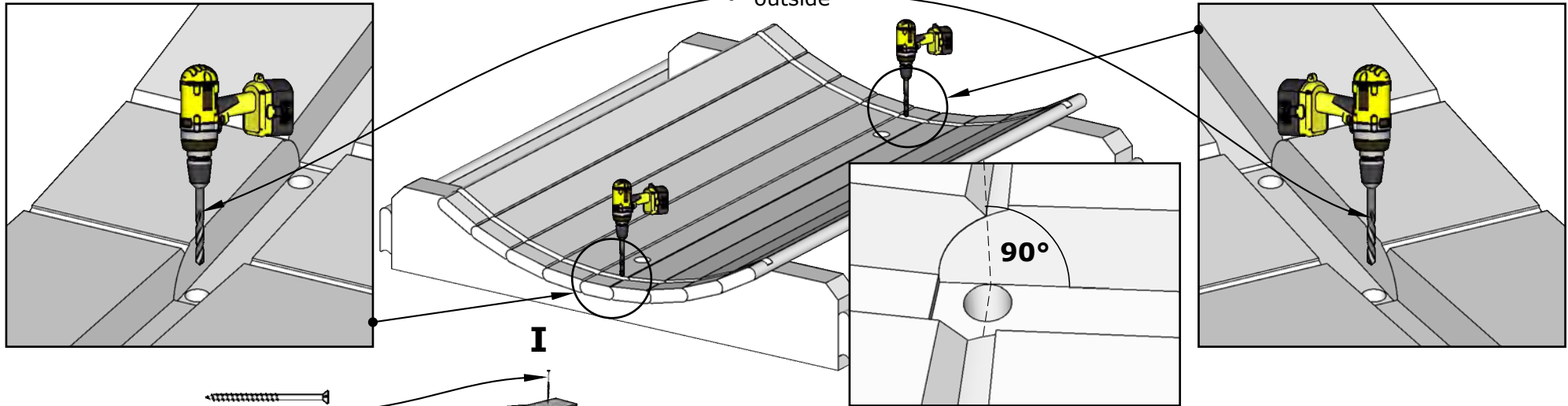


E8G Barrel Sauna 87D" x 81H"



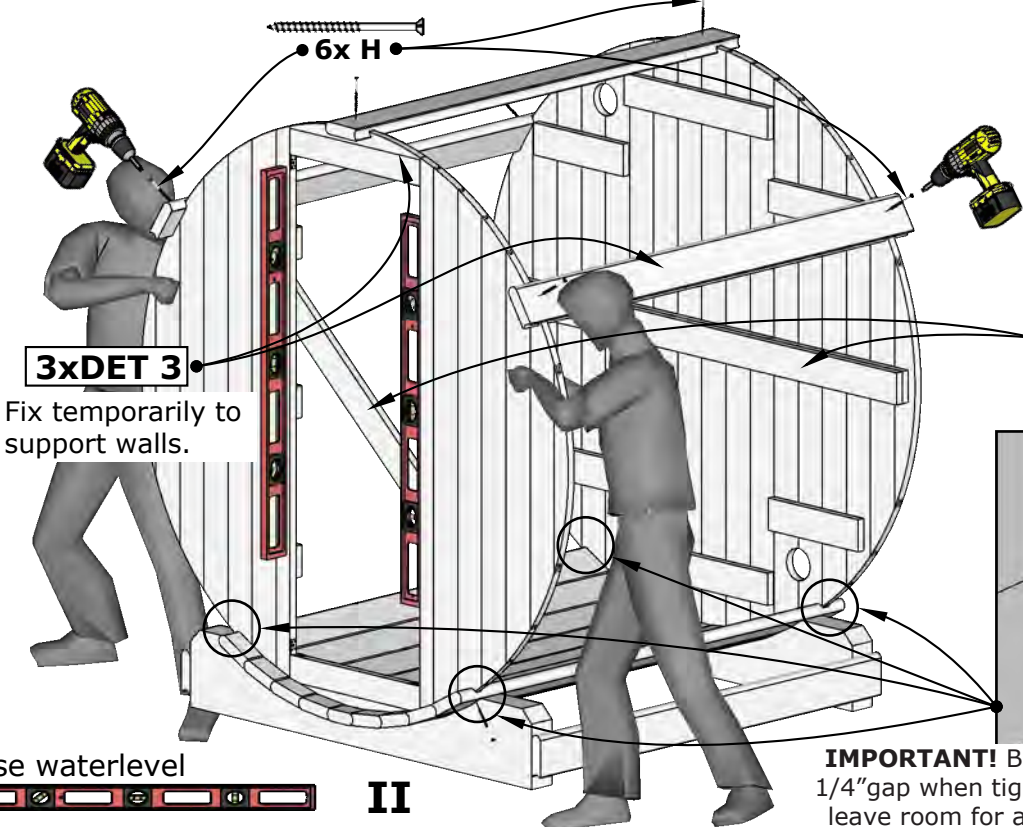
E8G Barrel Sauna 87D" x 81H"

Drill 4 holes $\varnothing 1/2"$
through DET 2
outside



**Check walls installation
manual on extra pages!**

**Sauna wall configuration
depends on Your model!**



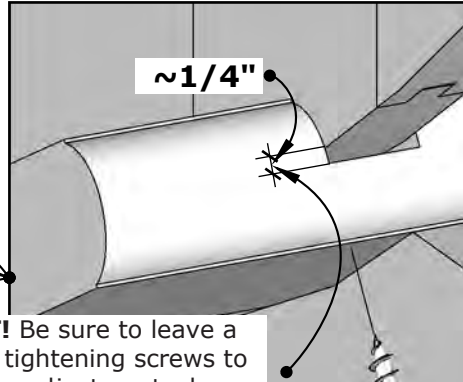
3xDET 3
Fix temporarily to
support walls.

Brackets inside

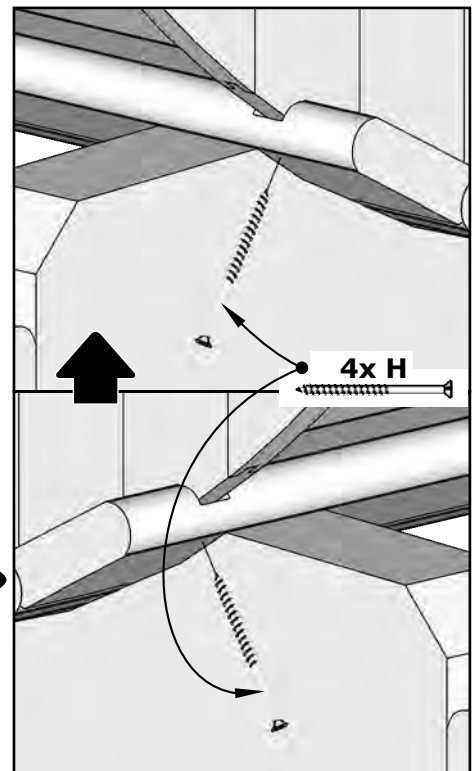
Use waterlevel



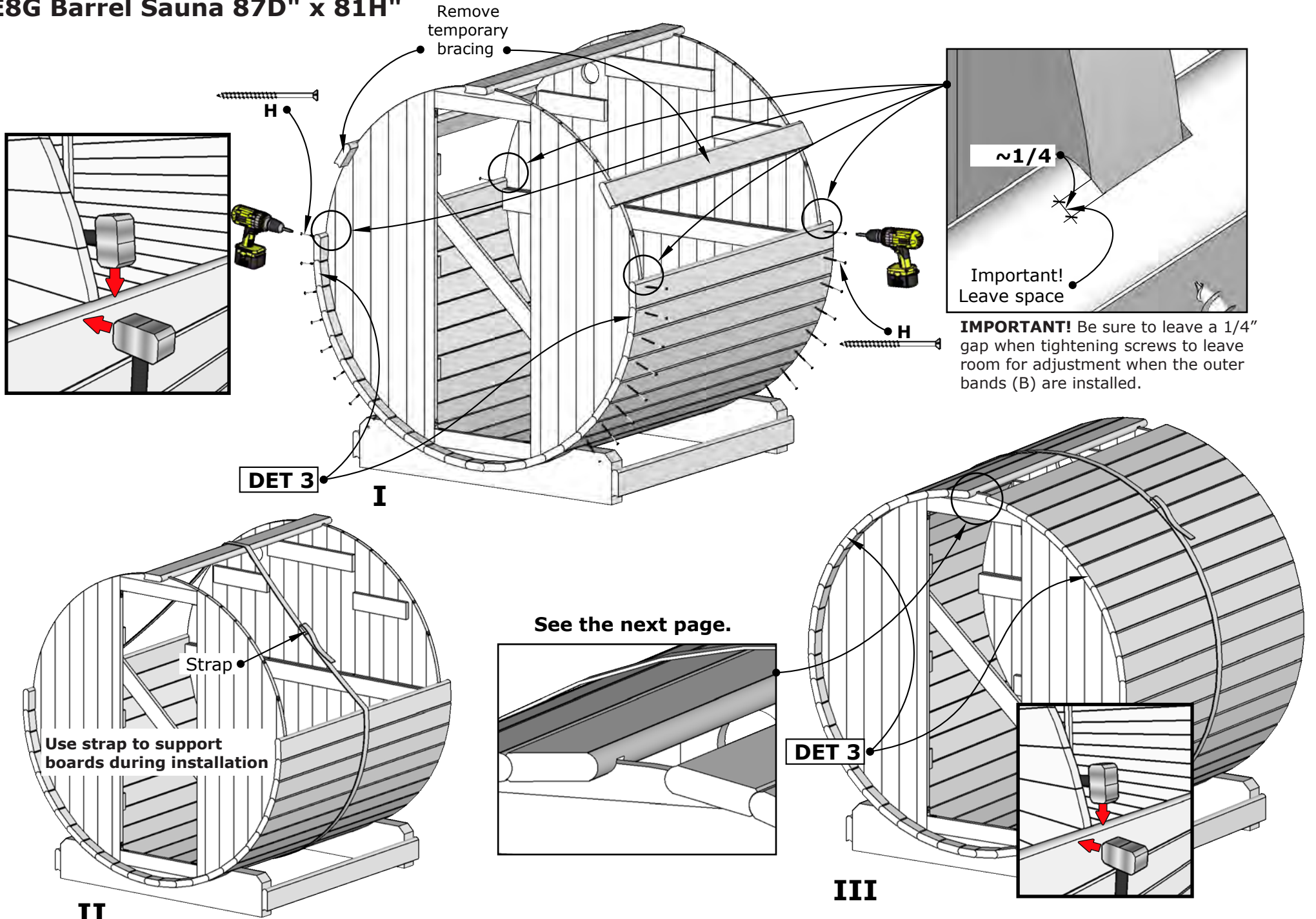
II



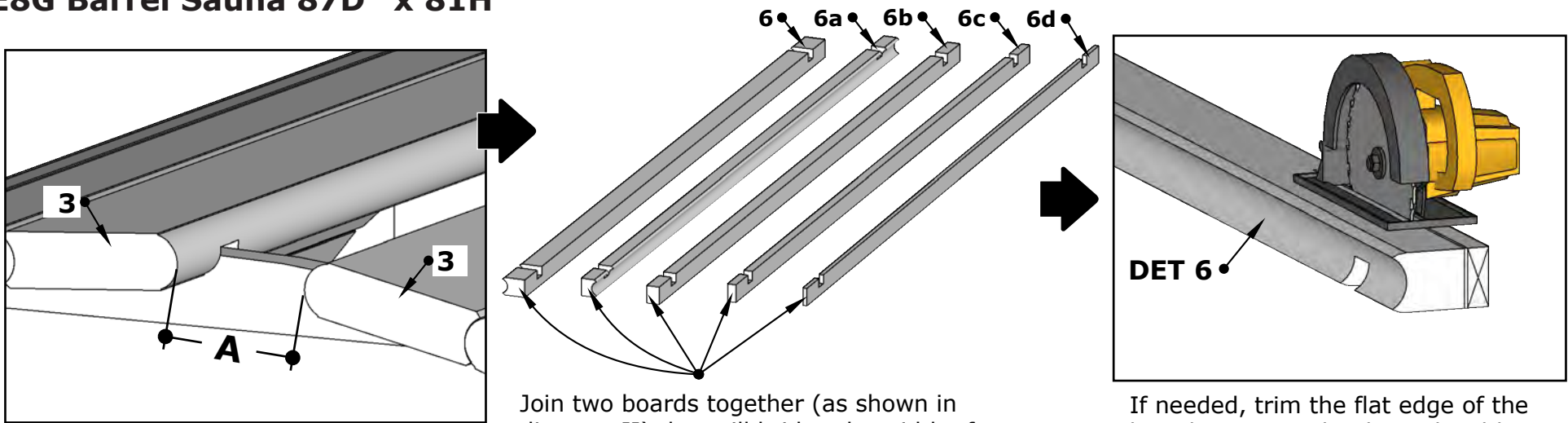
IMPORTANT! Be sure to leave a
 $1/4"$ gap when tightening screws to
leave room for adjustment when
the outer bands (B) are installed.



E8G Barrel Sauna 87D" x 81H"



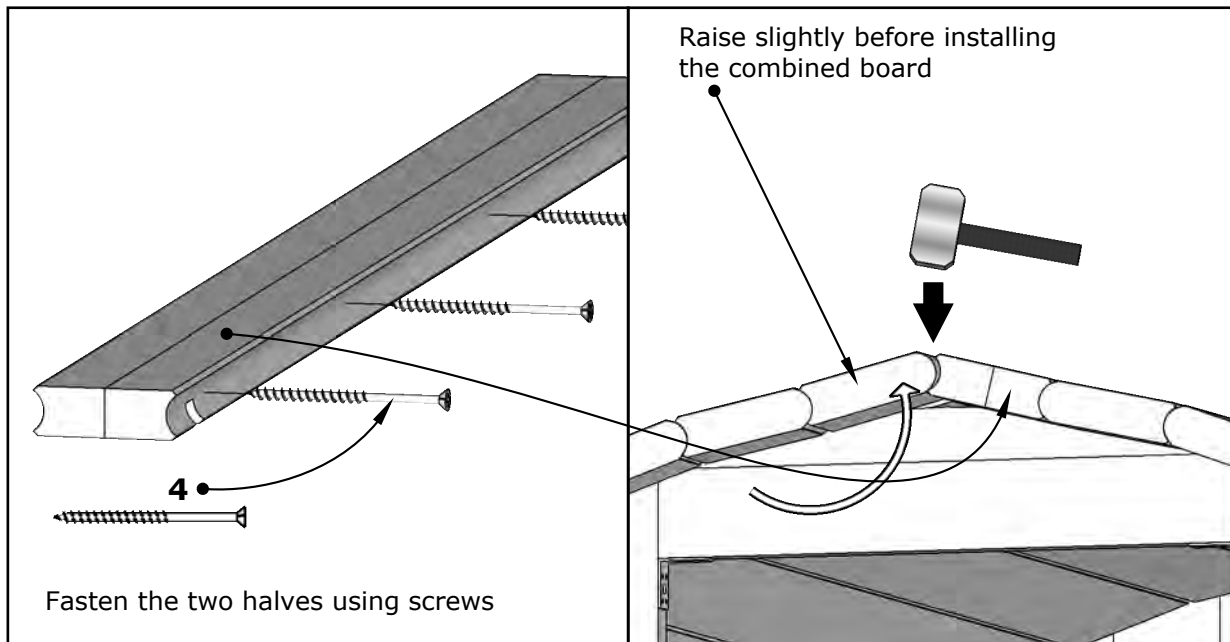
E8G Barrel Sauna 87D" x 81H"



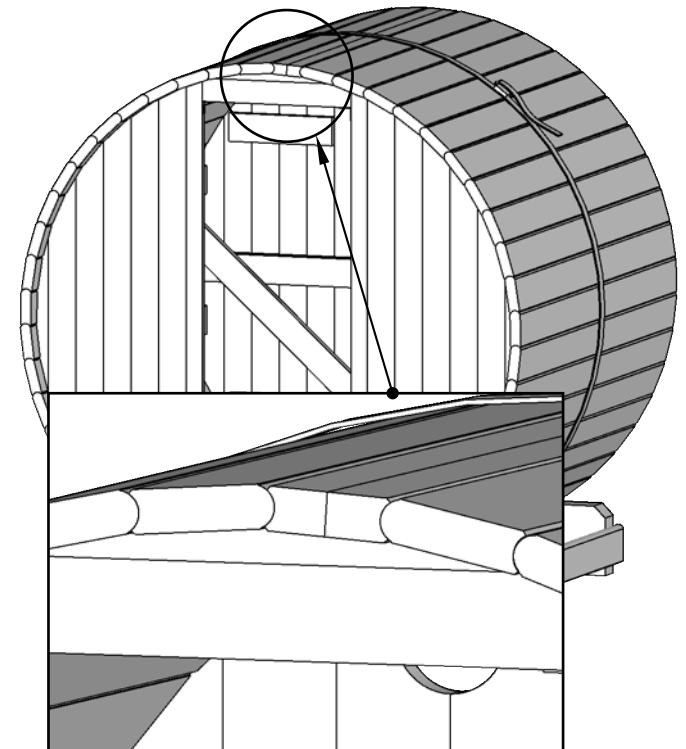
I

Join two boards together (as shown in diagram II) that will bridge the width of the "A" gap. It is recommended that the combined boards are approximately 1/4" wider than the gap.

If needed, trim the flat edge of the board to create the desired width.

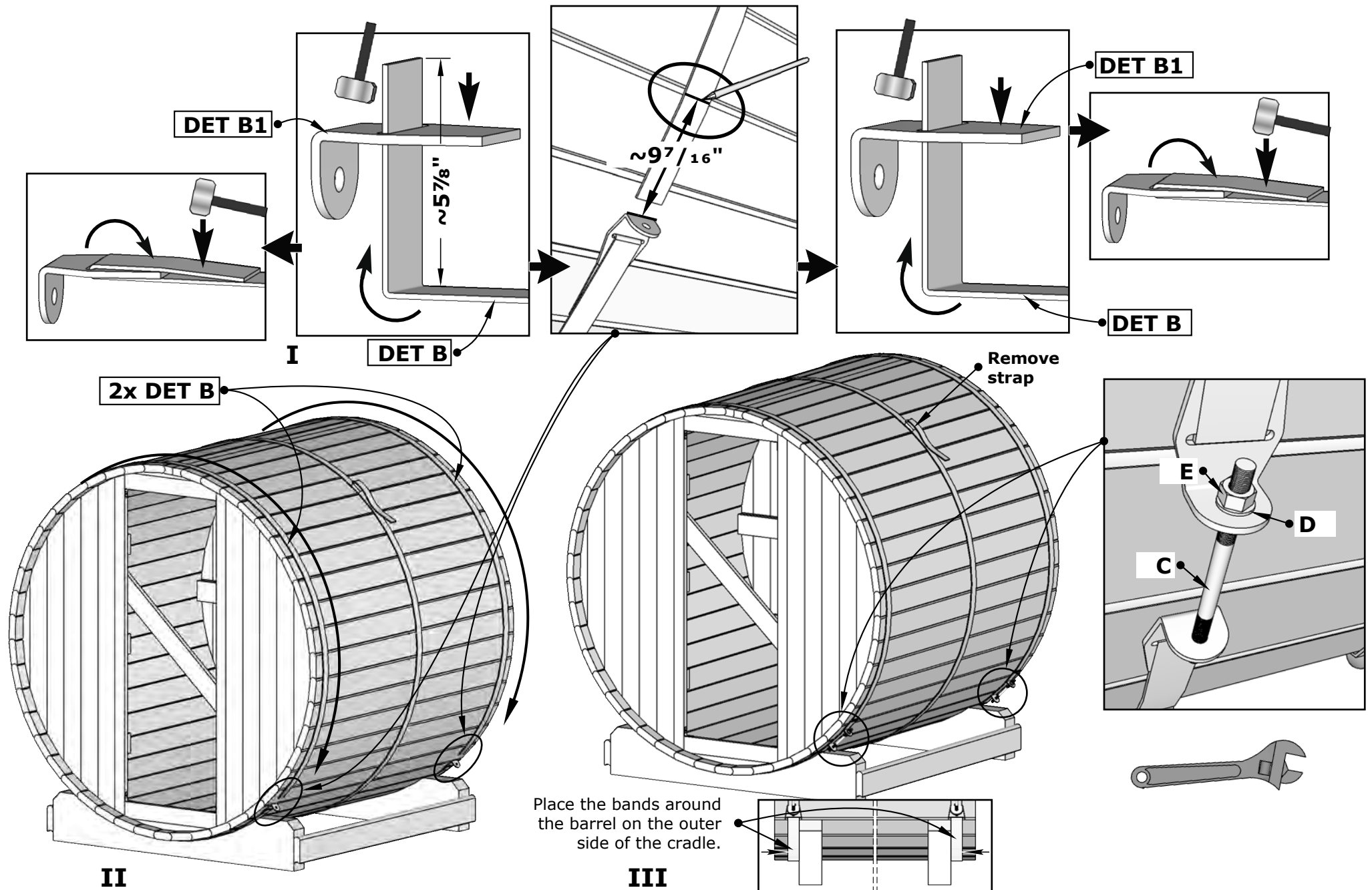


II



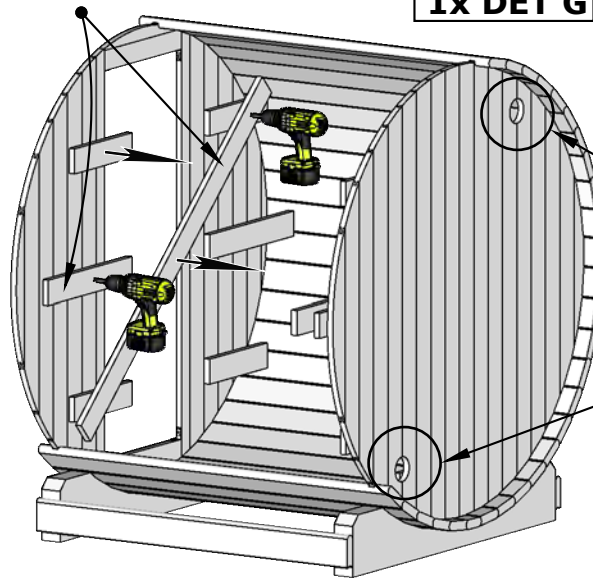
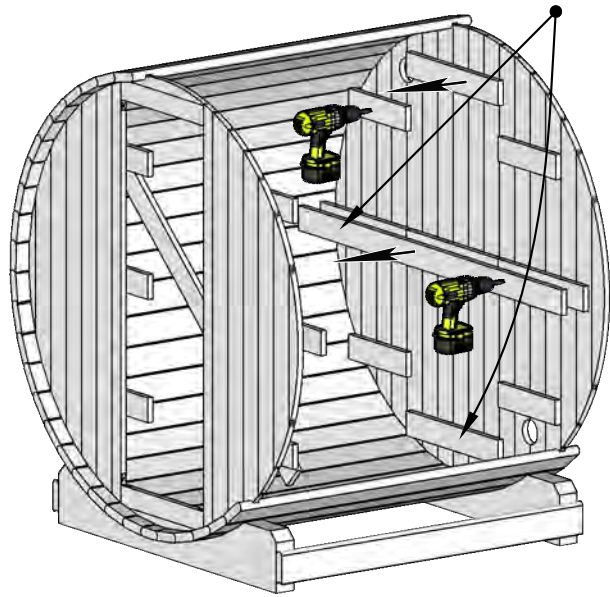
III

E8G Barrel Sauna 87D" x 81H"

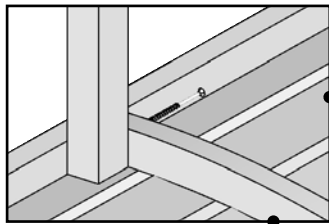
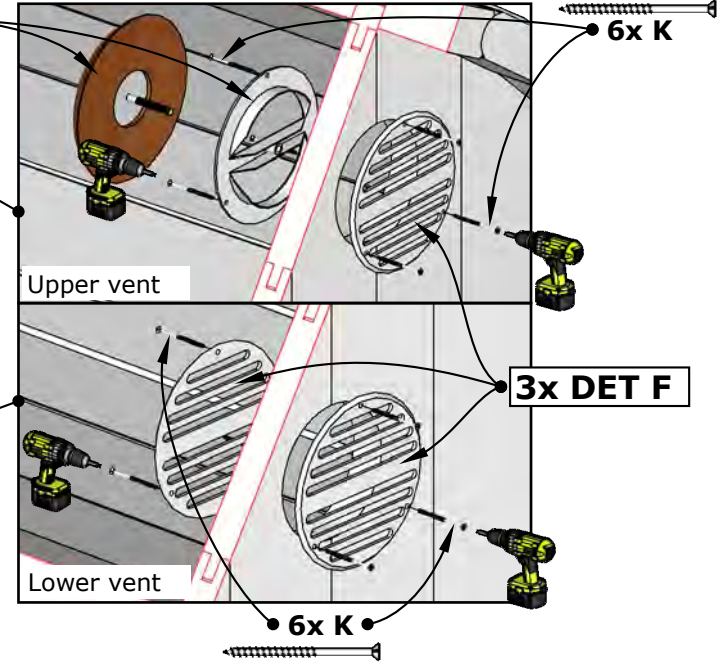


E8G Barrel Sauna 87D" x 81H"

Remove all temporary braces



1x DET G



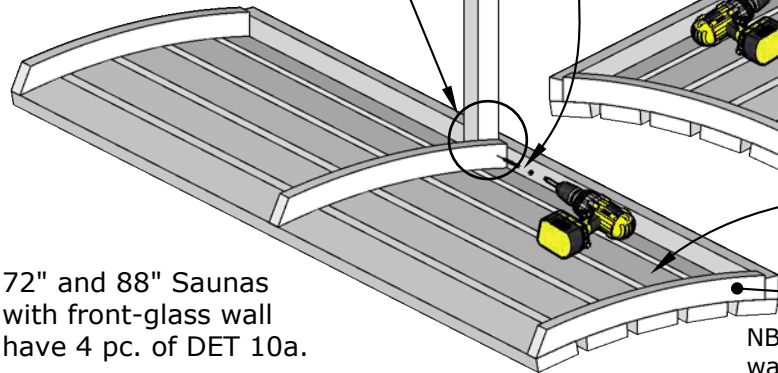
Pre-drill holes $\varnothing 5/32"$ before screws.

I

2x DET 10a

2x H

2x DET 10

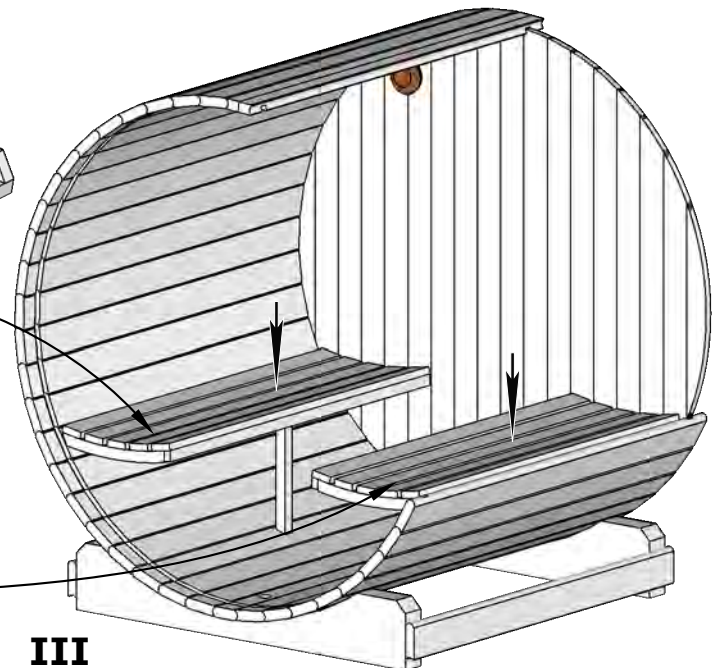


72" and 88" Saunas with front-glass wall have 4 pc. of DET 10a.

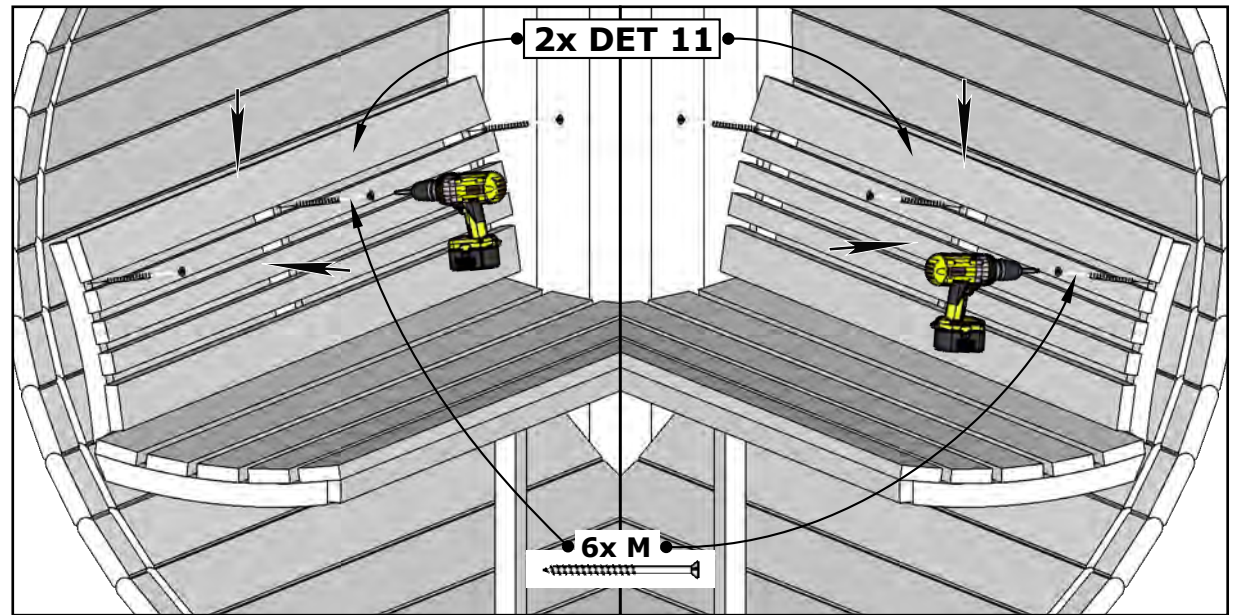
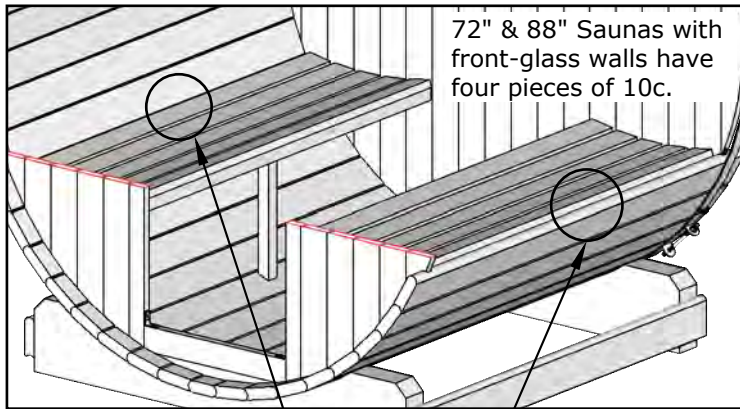
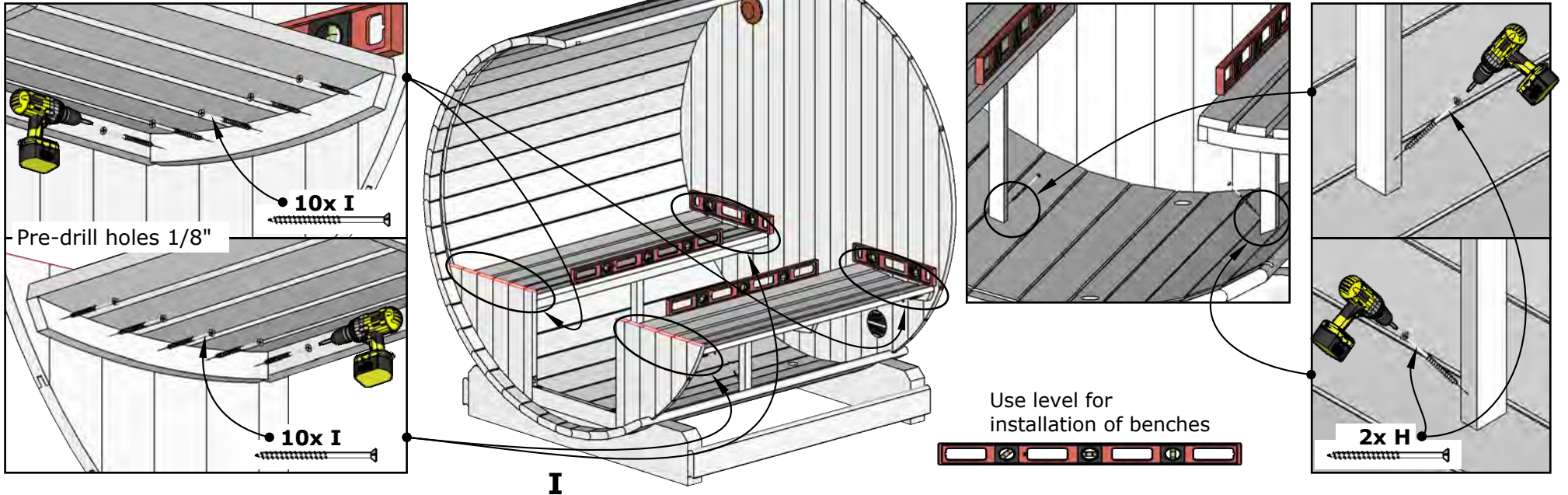
II

NB! If Your sauna equipped with front-glass wall, see front-glass wall installation manual for proper benches installation.

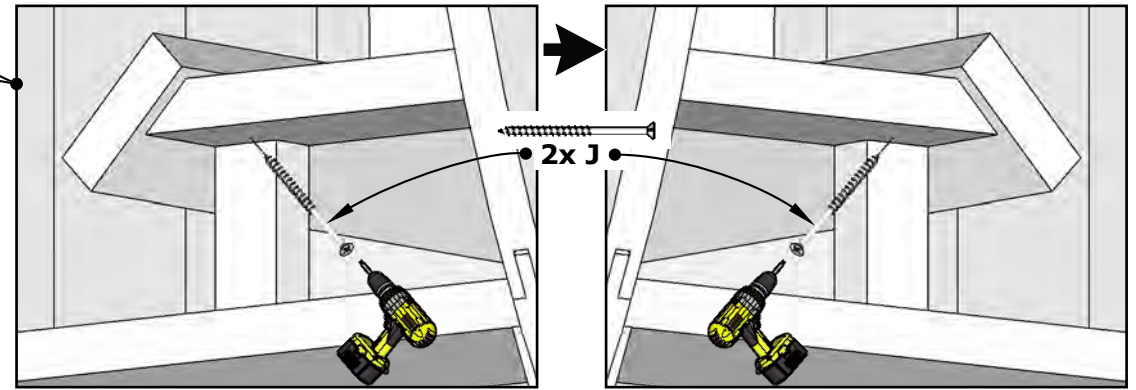
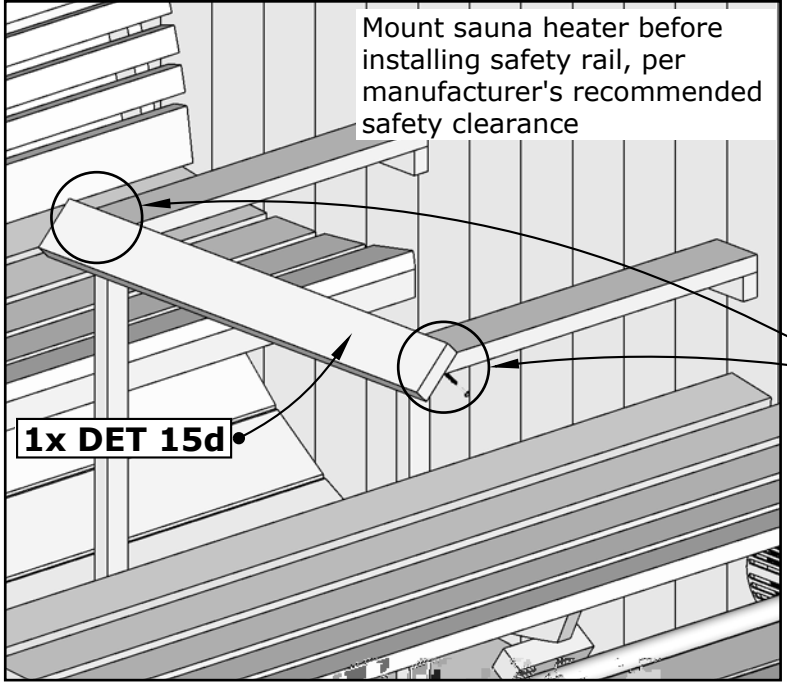
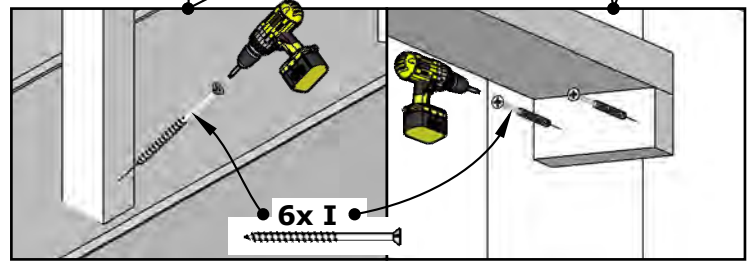
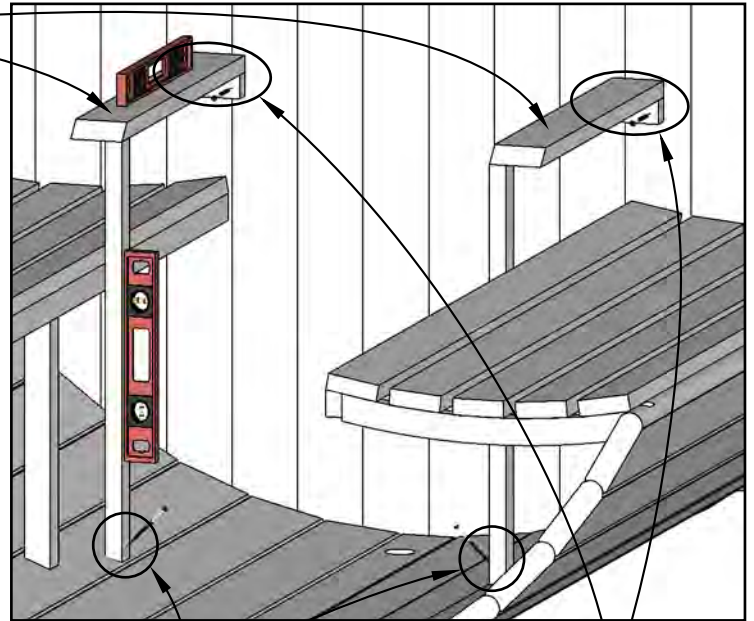
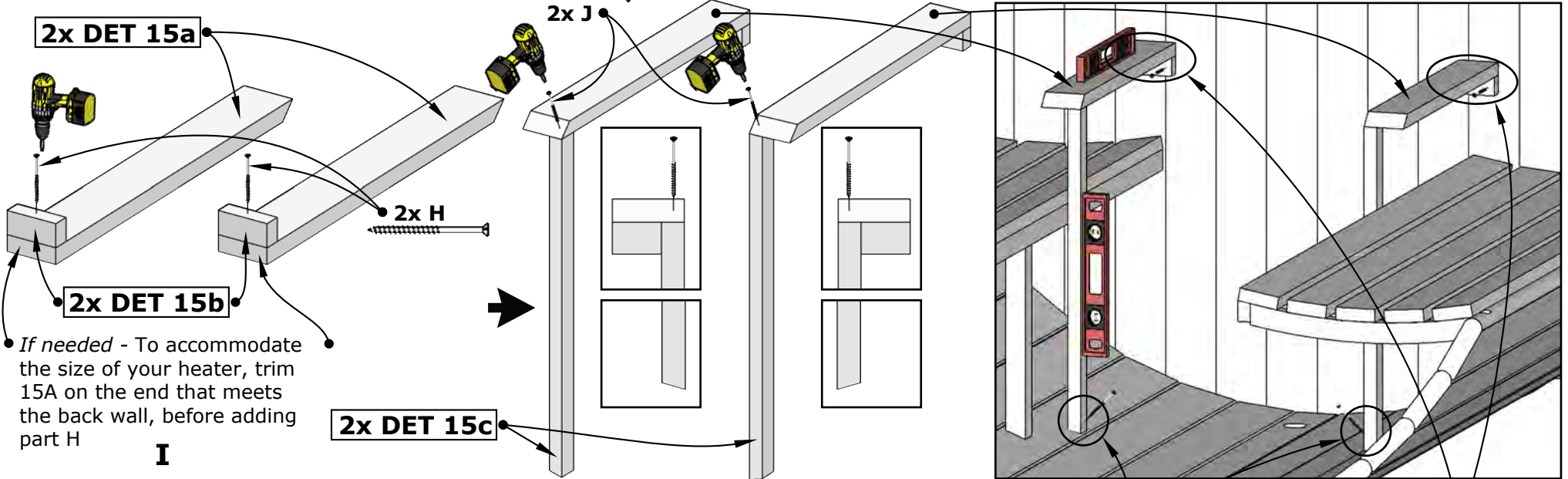
III



E8G Barrel Sauna 87D" x 81H"

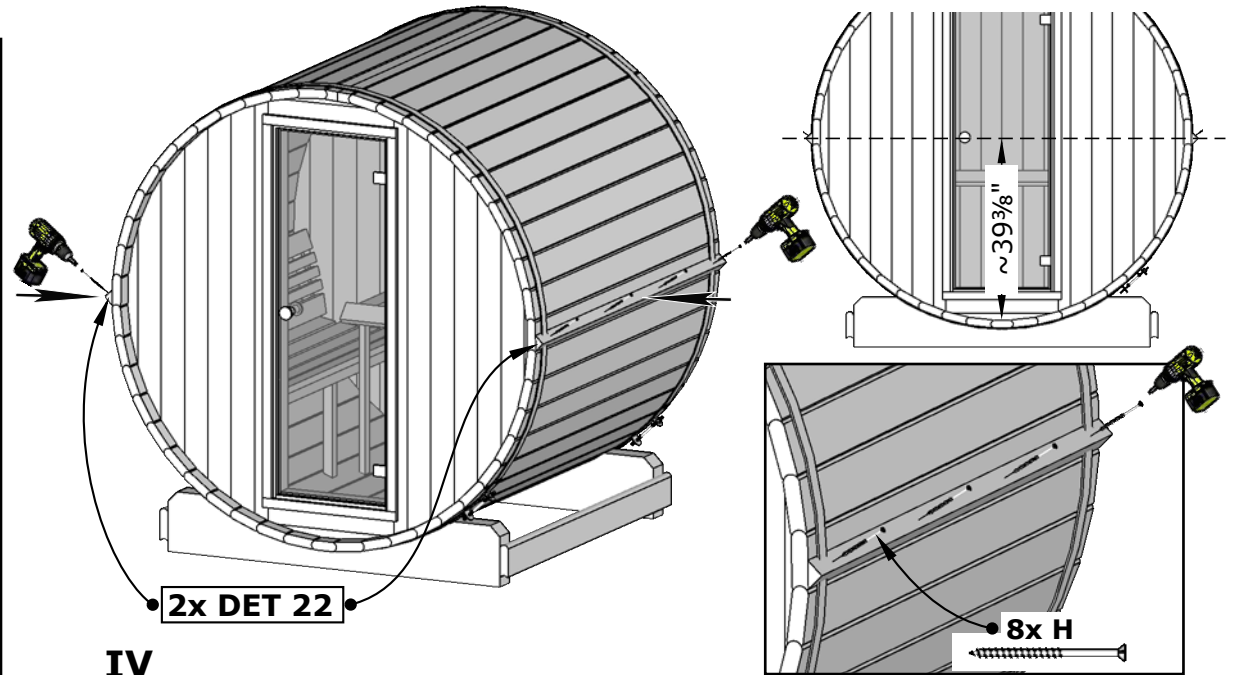
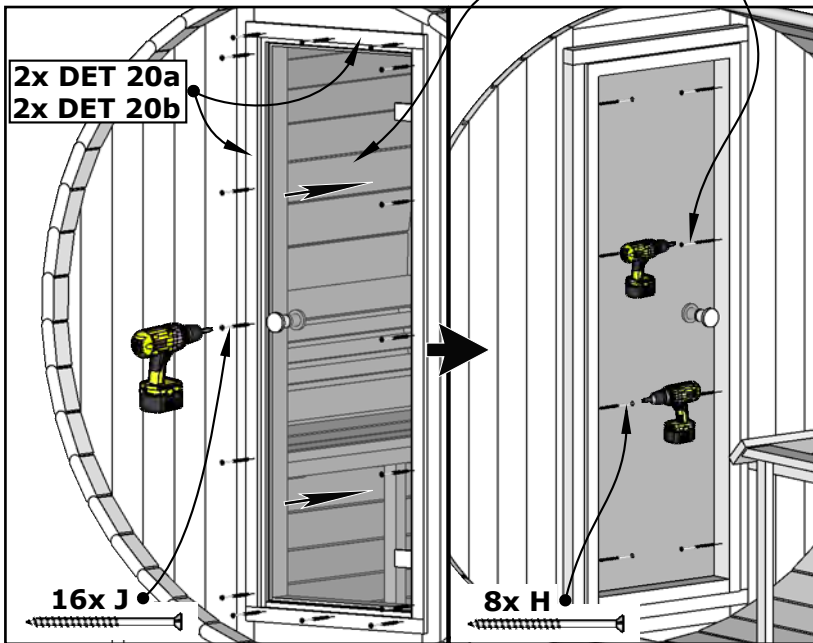
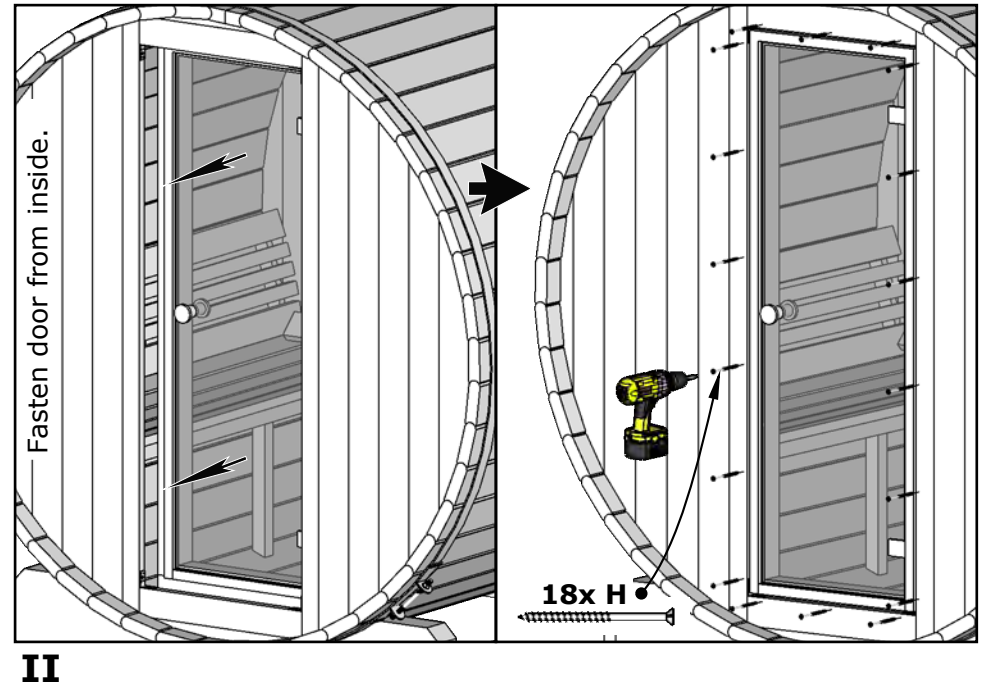
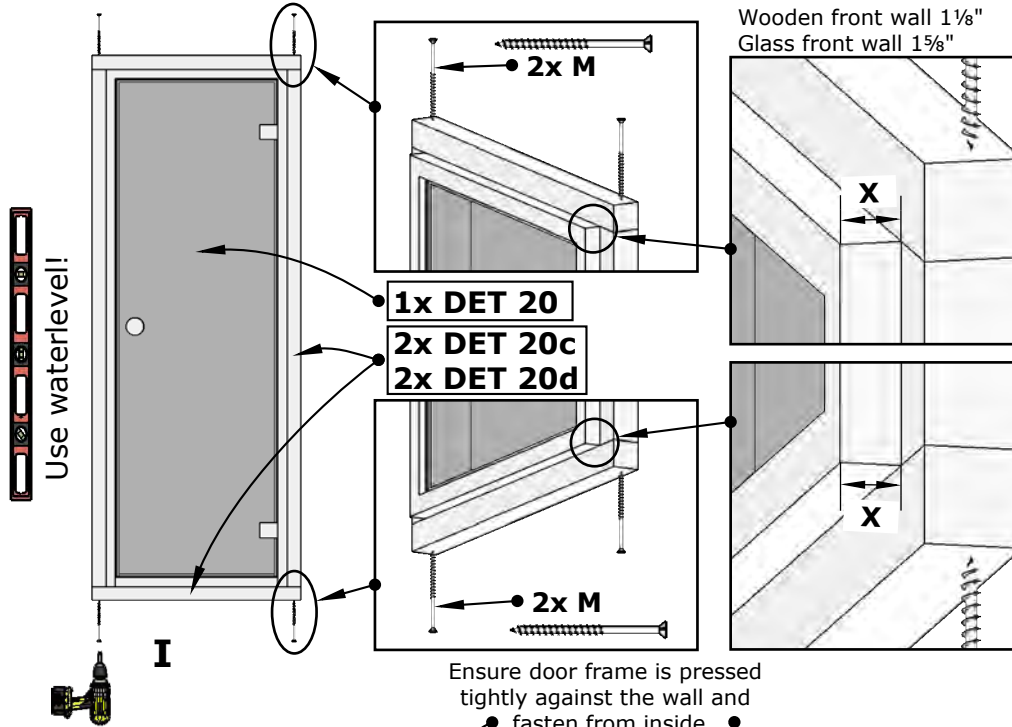


E7G Barrel Sauna 71D" x 81H"



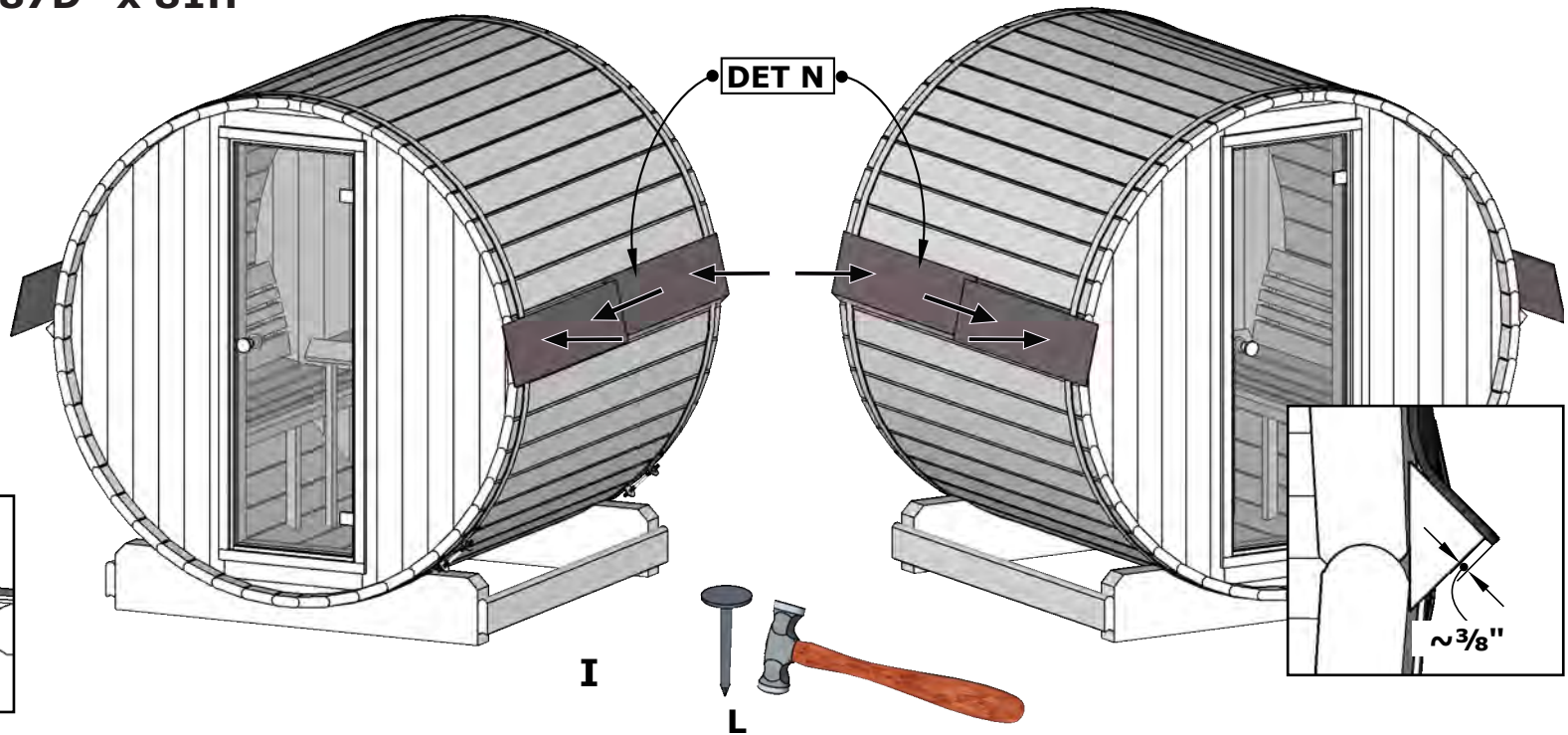
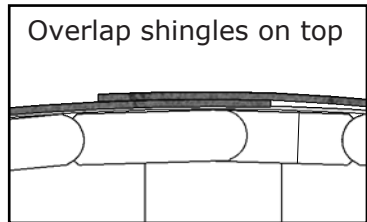
E8G Barrel Sauna 87D" x 81H"

X= Front wall thickness
 Wooden front wall 1 1/8"
 Glass front wall 1 5/8"

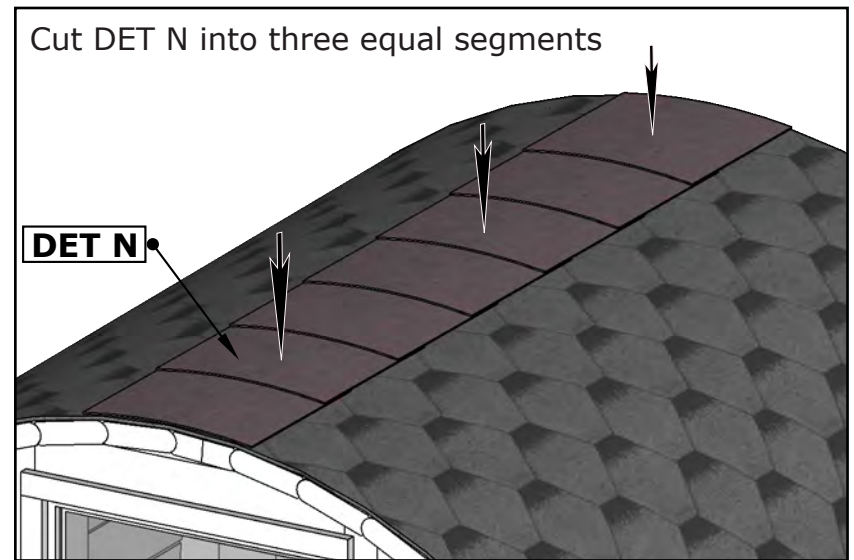
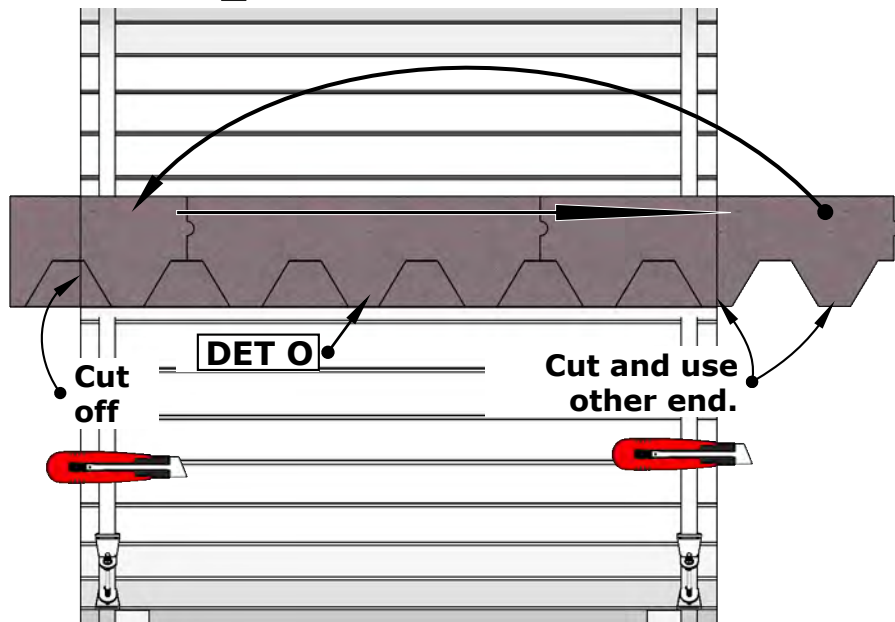


E8G Barrel Sauna 87D" x 81H"

See the installation manual inside the shingles package



Check also roof shingles installation manual inside package.



E8G Barrel Sauna 87D" x 81H"

