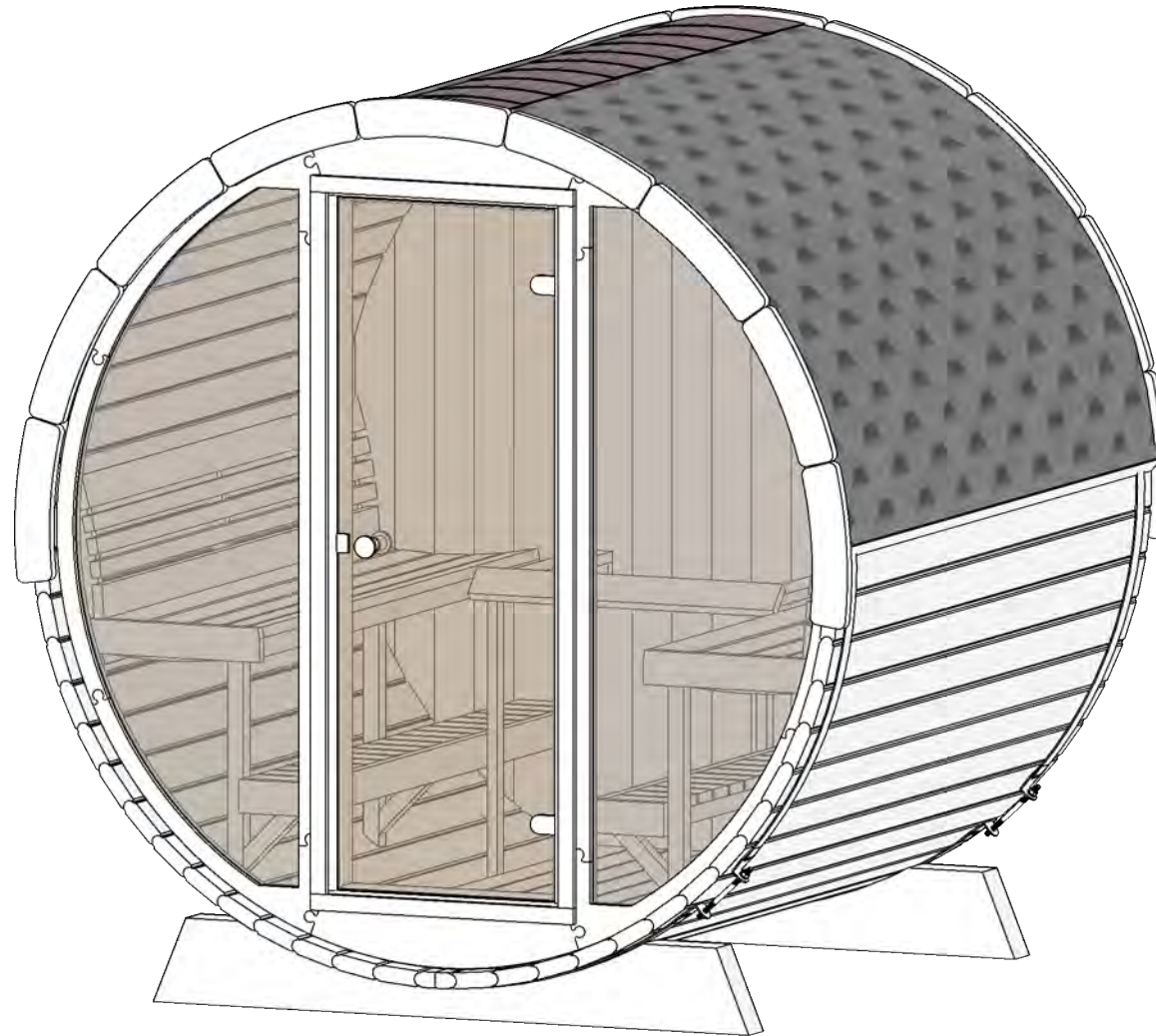




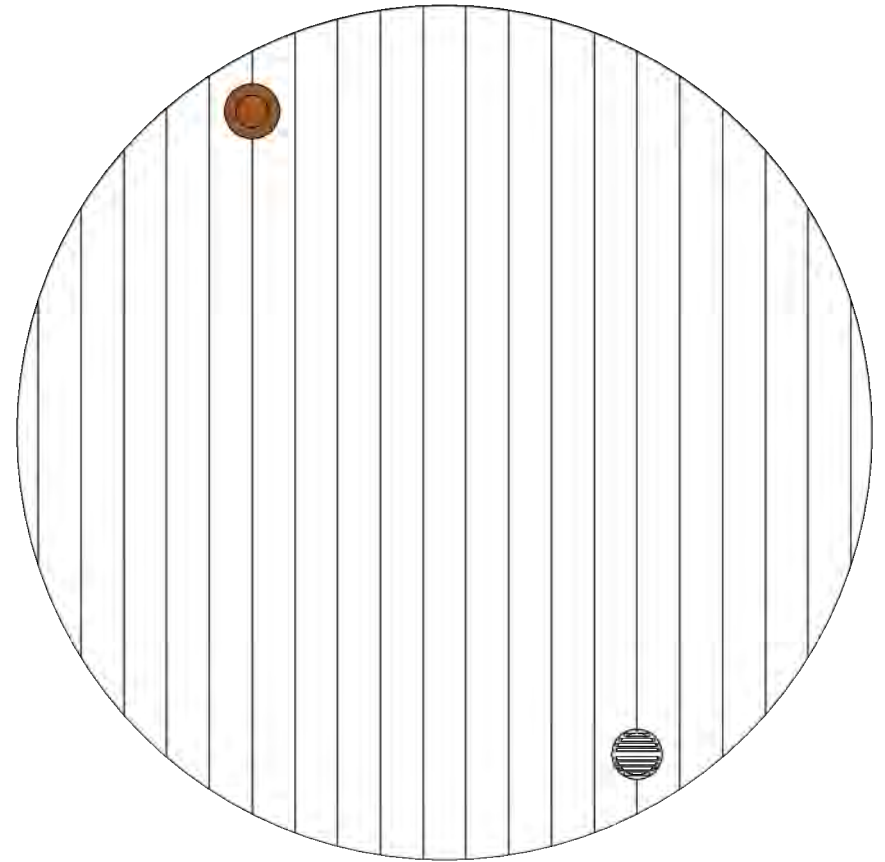
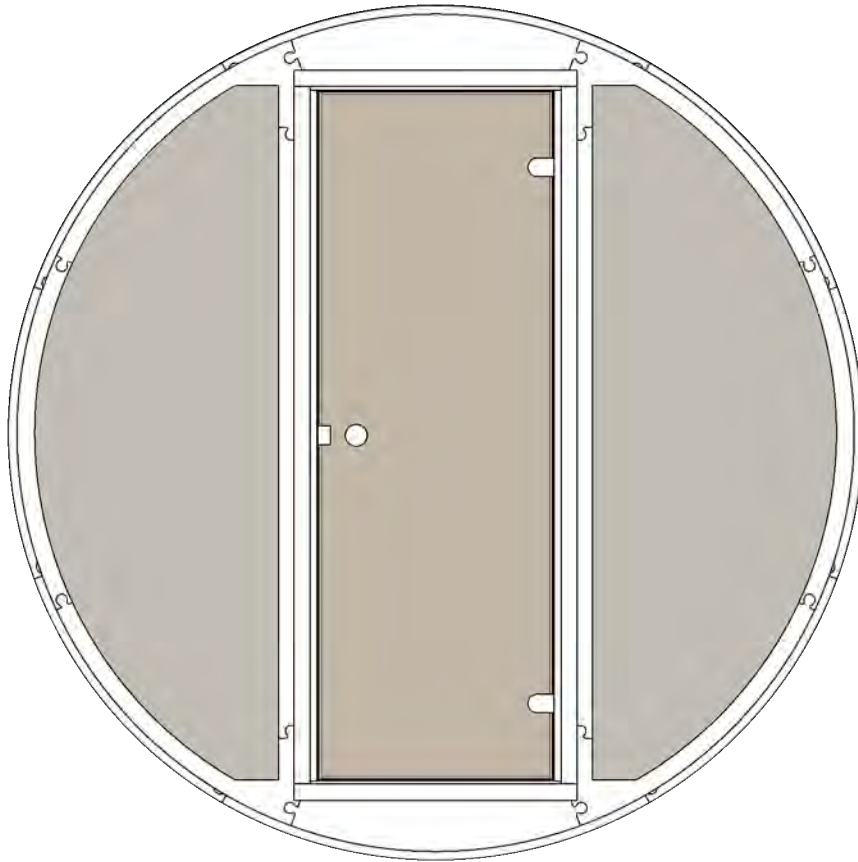
Ergo-Series EE8G Barrel Sauna
Full Glass Front 79D" x 90H"



Note: Please read manual before construction

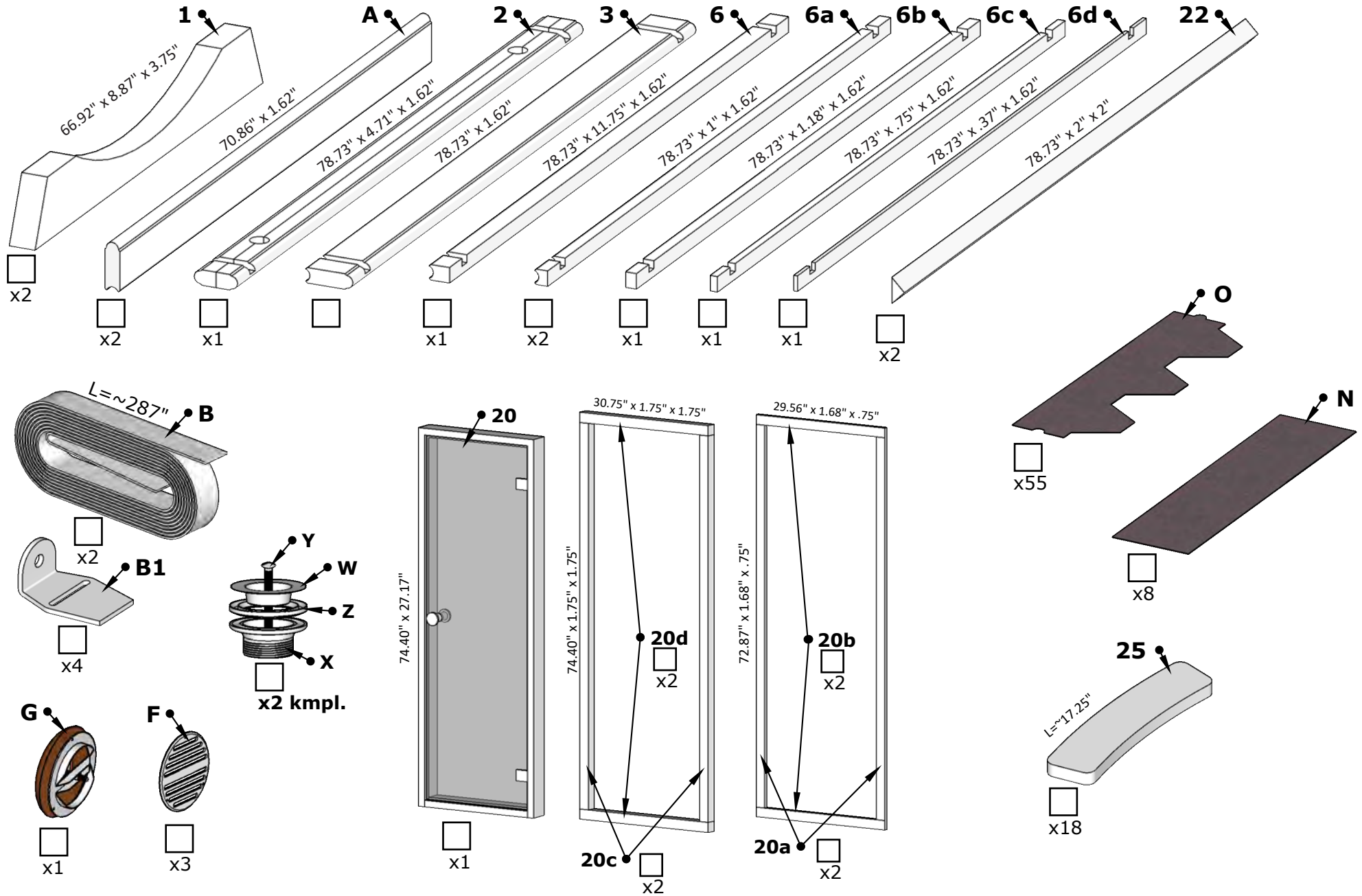
Rev: (1.0)7/2023

Front & Back Walls



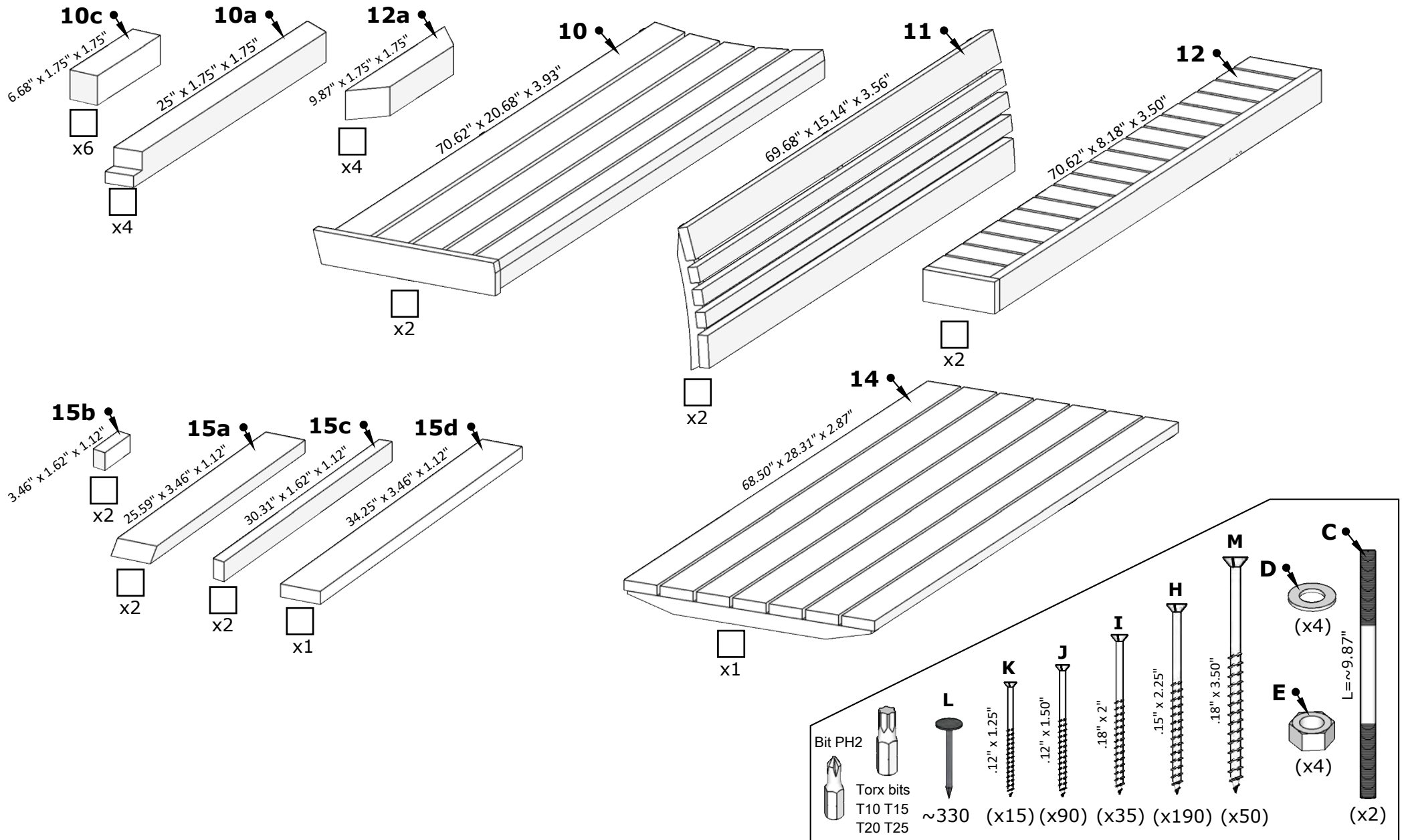
EE8G Barrel Sauna 79D" x 90H"

Details list. 1

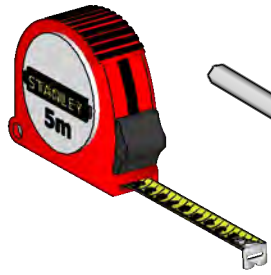


EE8G Barrel Sauna 79D" x 90H"

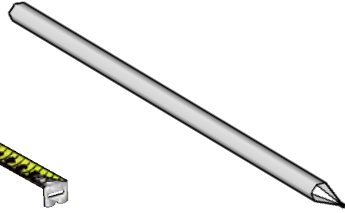
Details list. 2



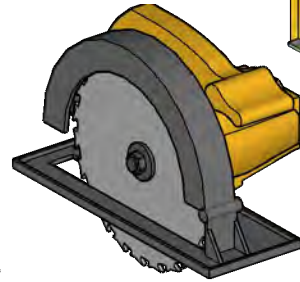
Tools needed



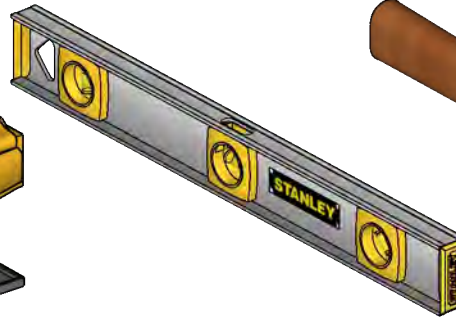
Measuring tape



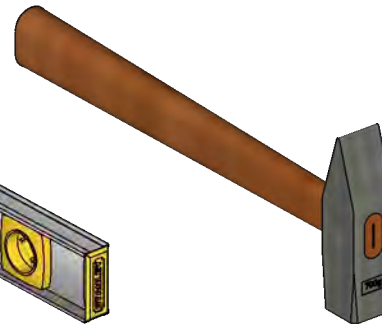
Marker pen



Circular saw



Water level



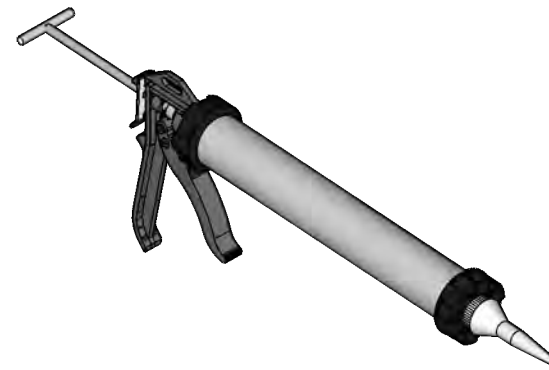
Hammer



Extra hands



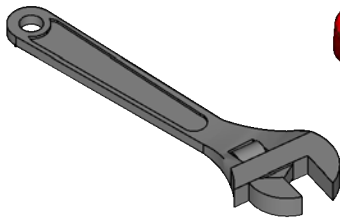
Ratchet strap



Silicone gun
(Only glass-wall models)



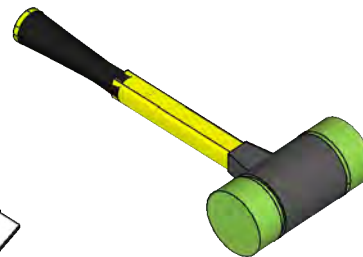
Drill



Crescent wrench

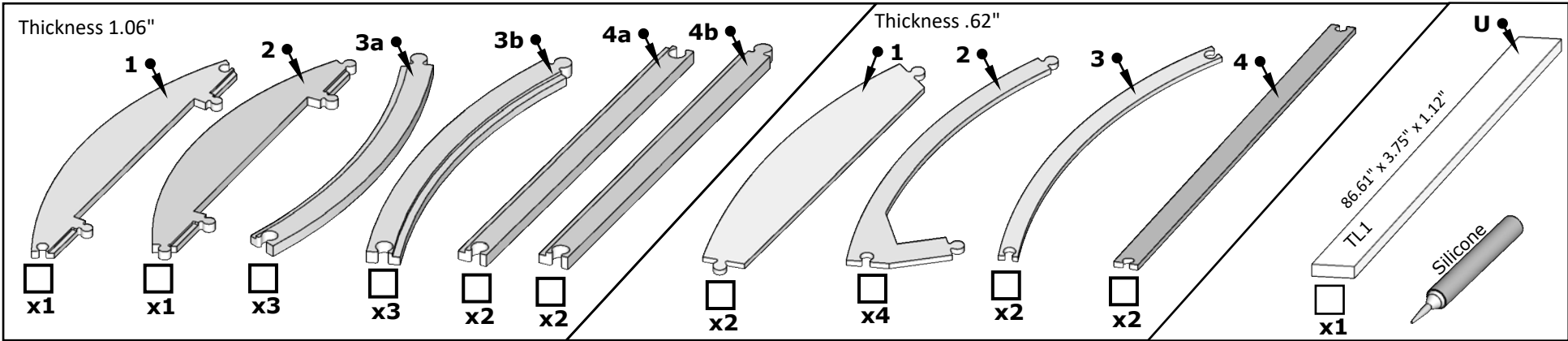


Utility knife

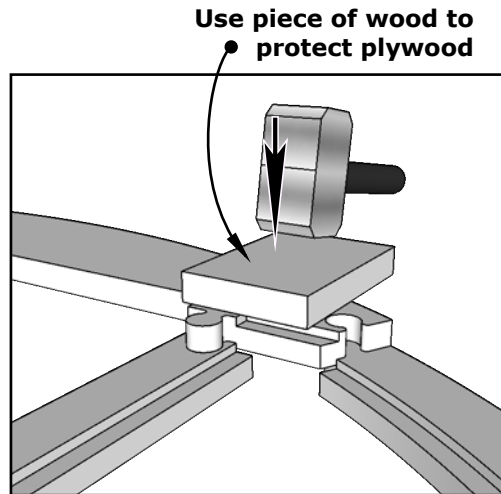
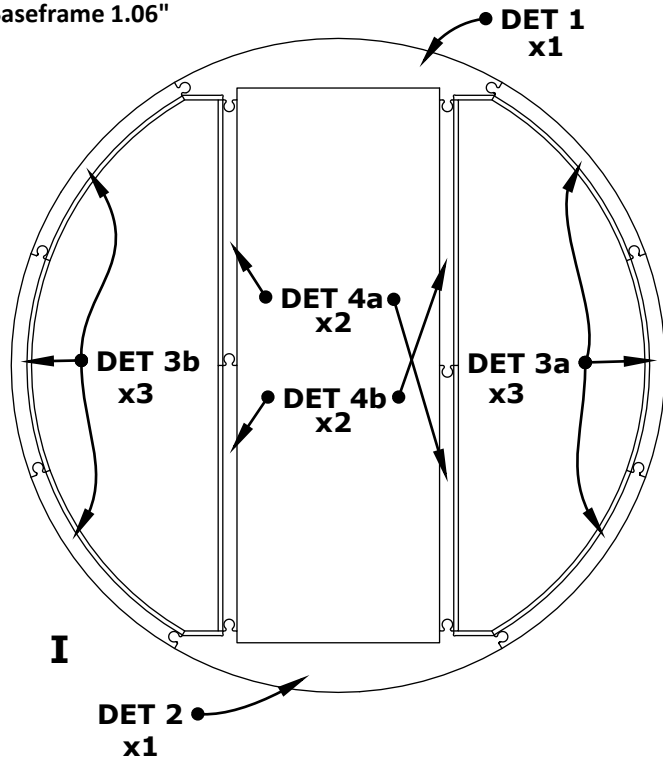


Rubber mallet

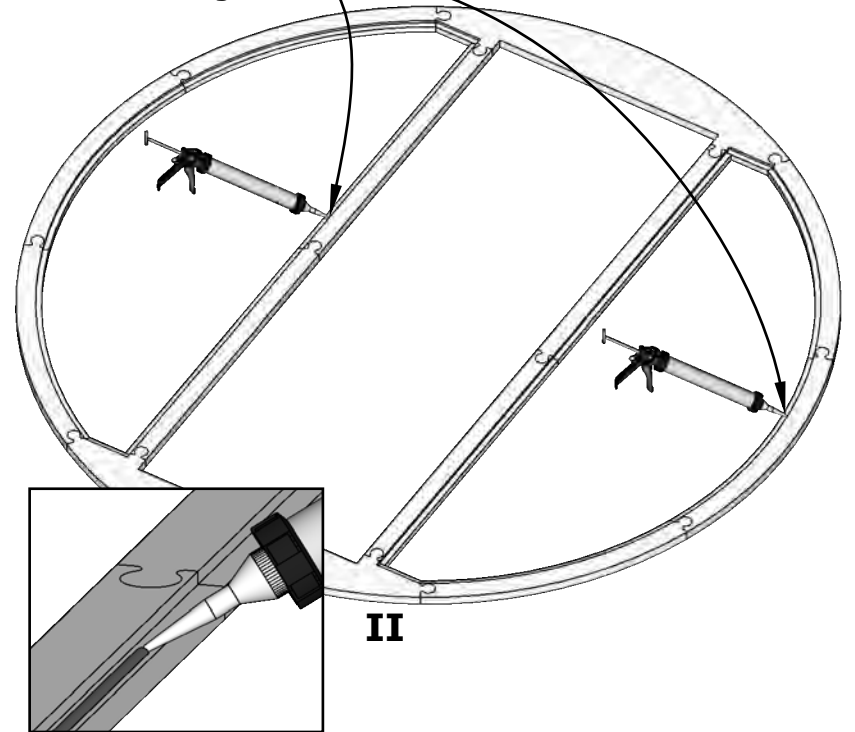
Front glass wall installation



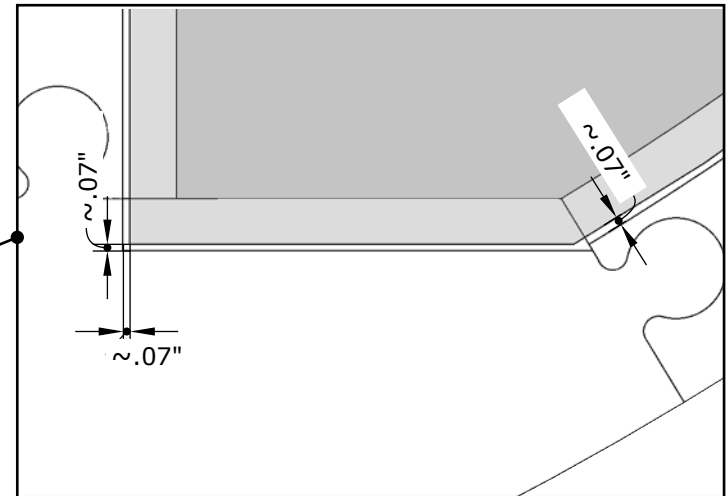
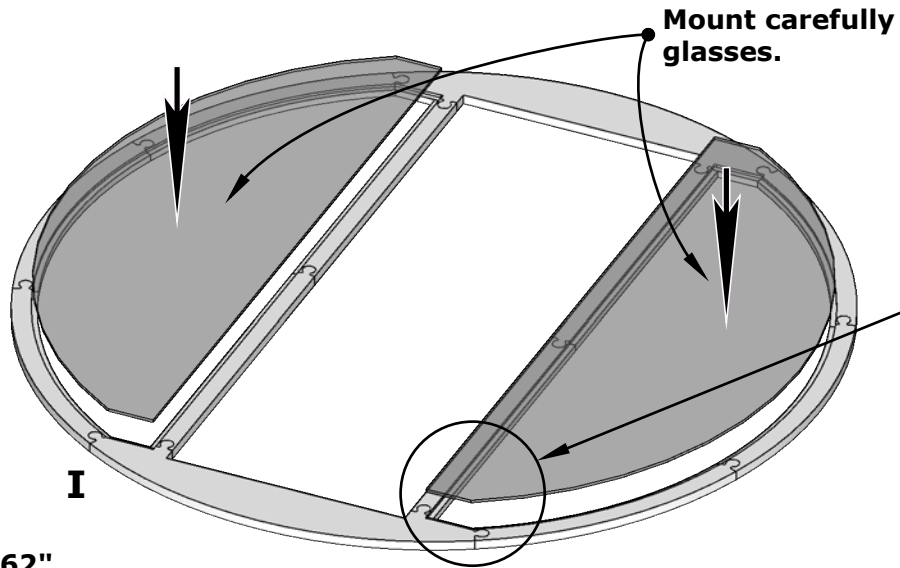
Baseframe 1.06"



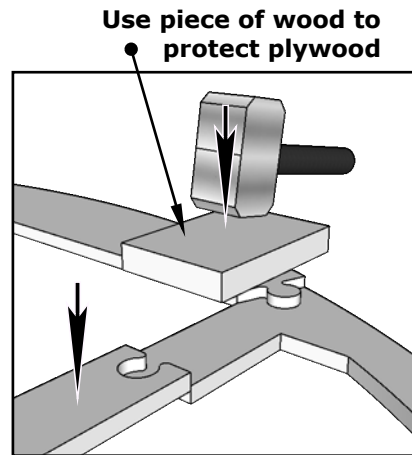
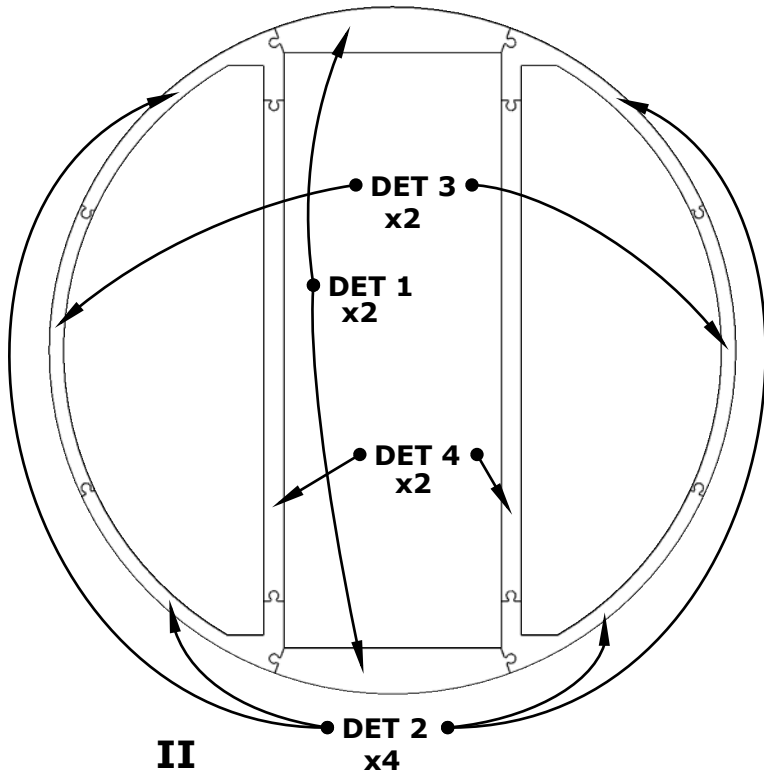
Apply waterproof silicone to the groove



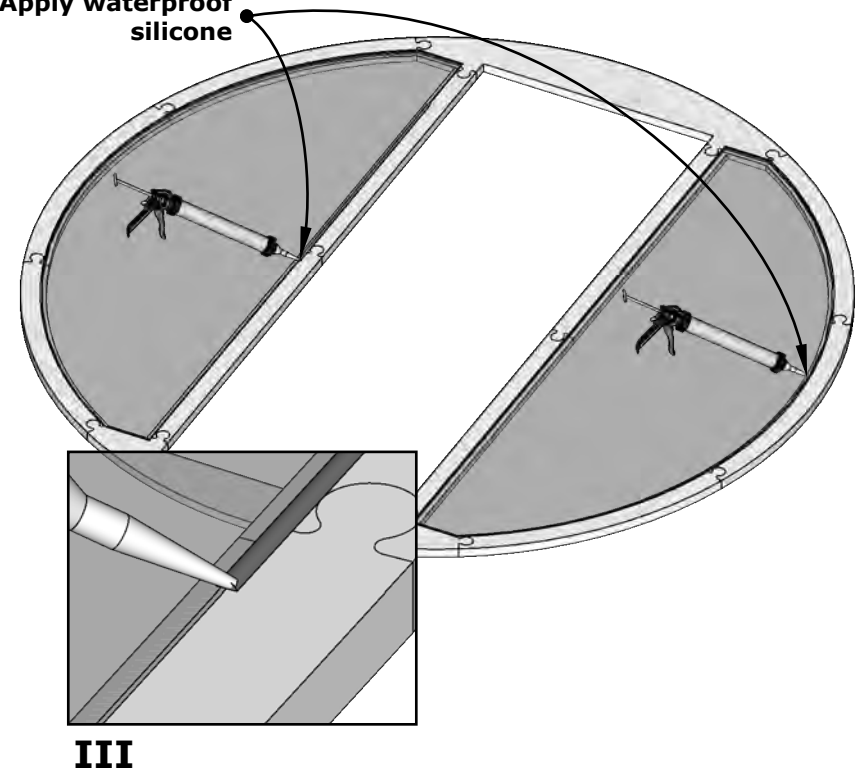
Front glass wall installation

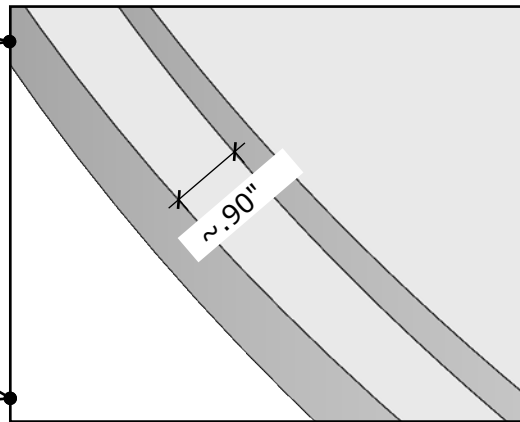
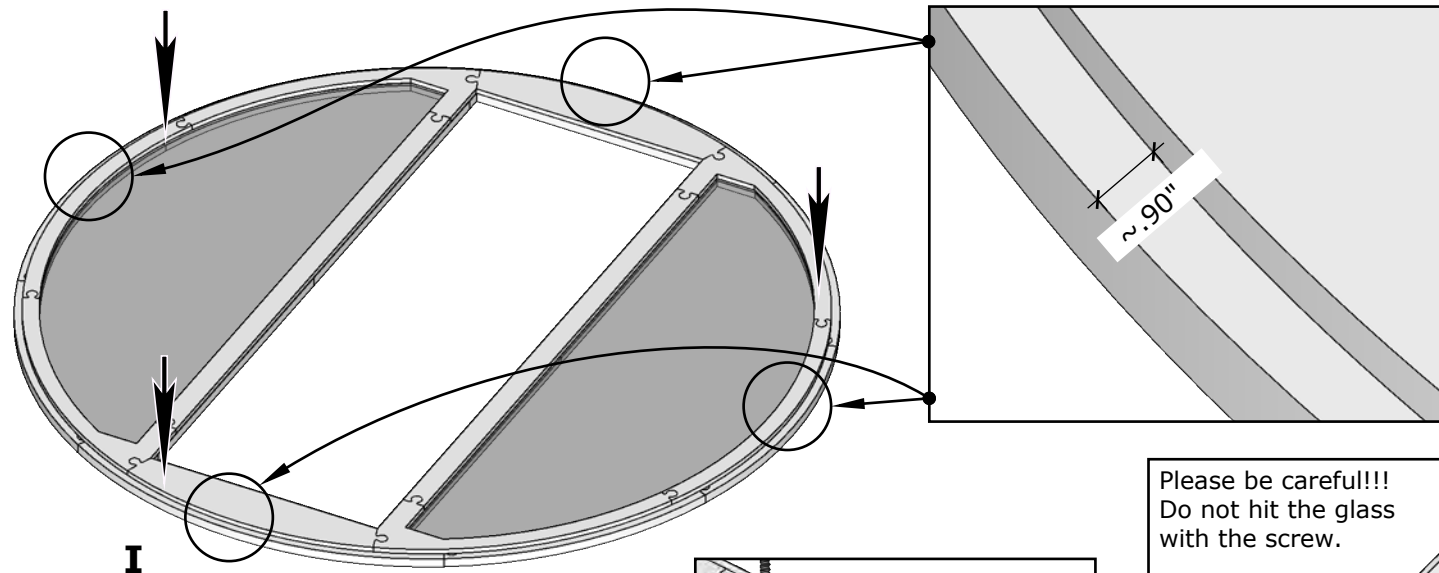


Coverframe .62"

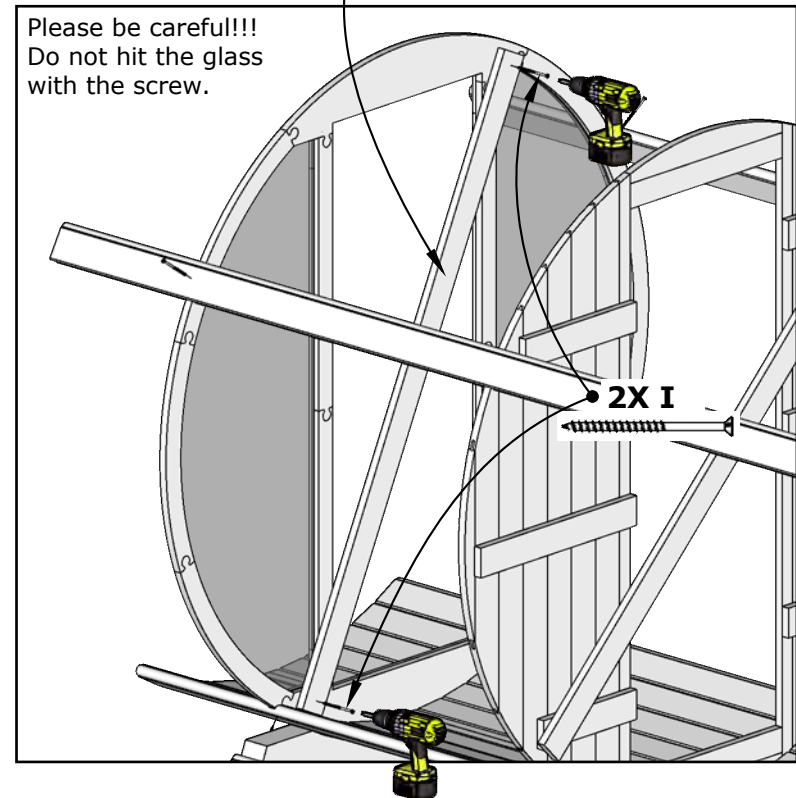


Apply waterproof silicone

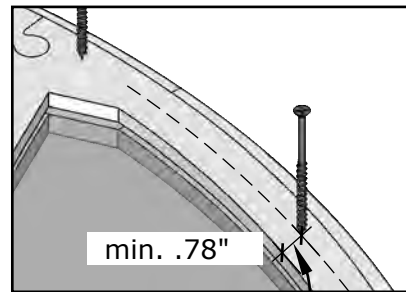




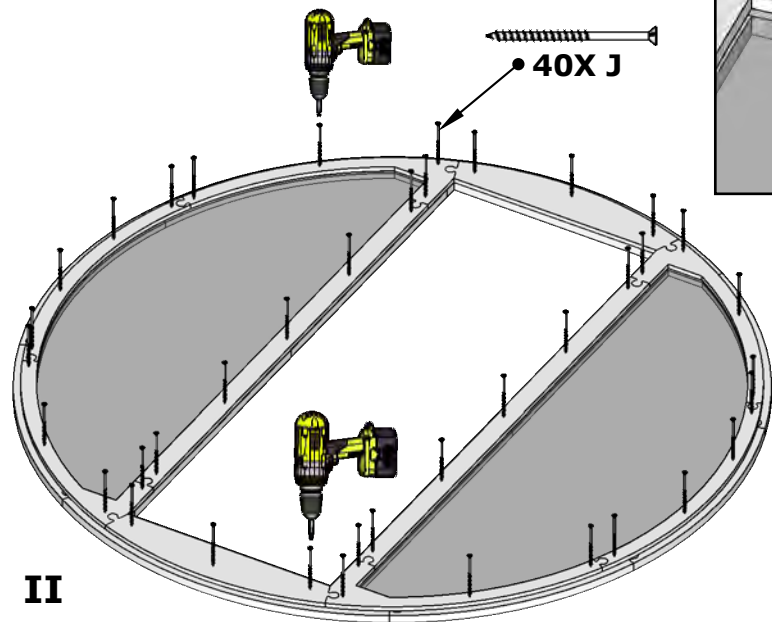
DET U
• Fix it diagonally to make wall more rigid during the installation.



III

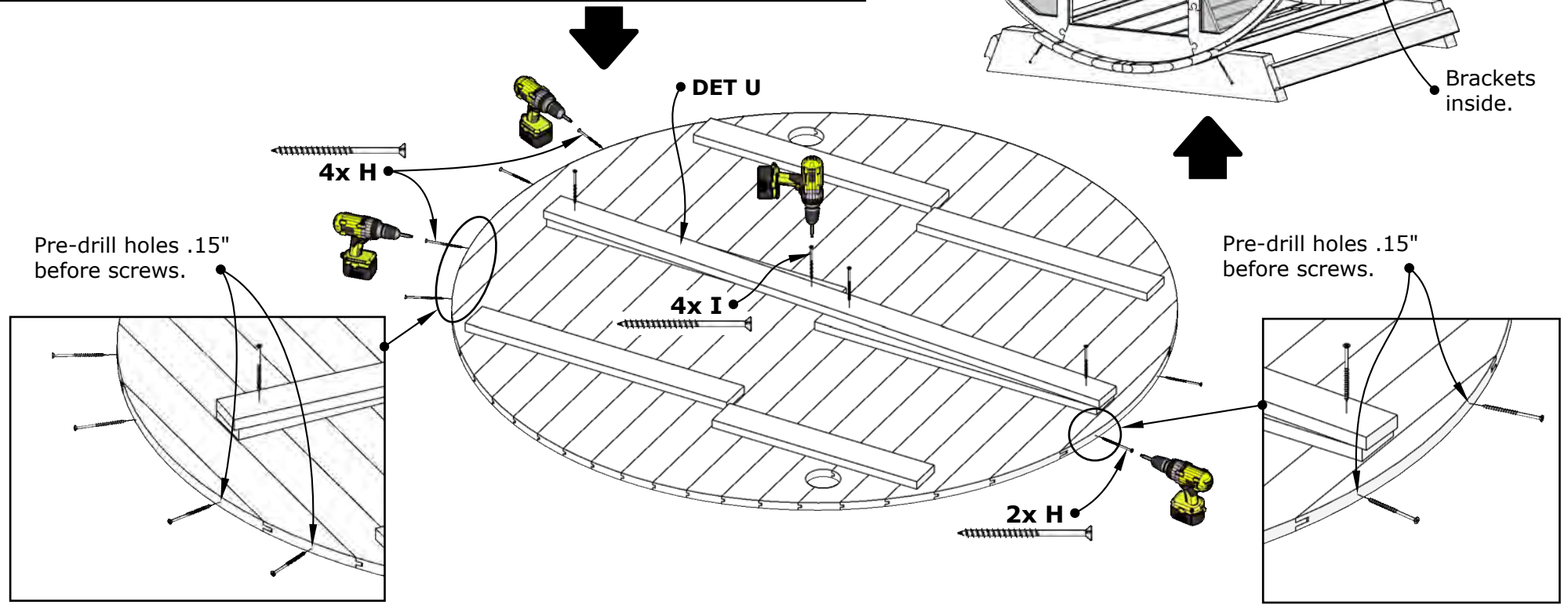
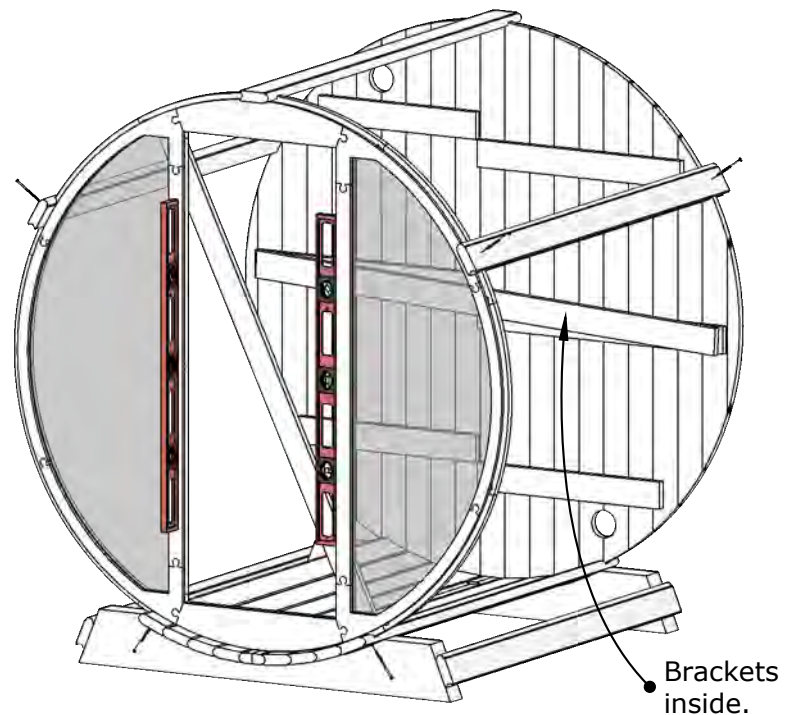
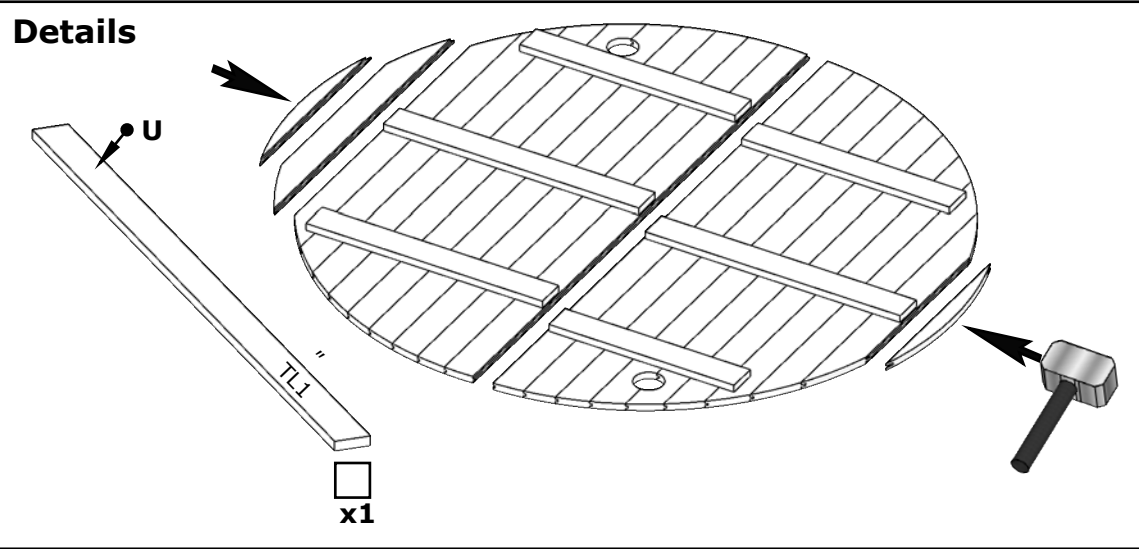


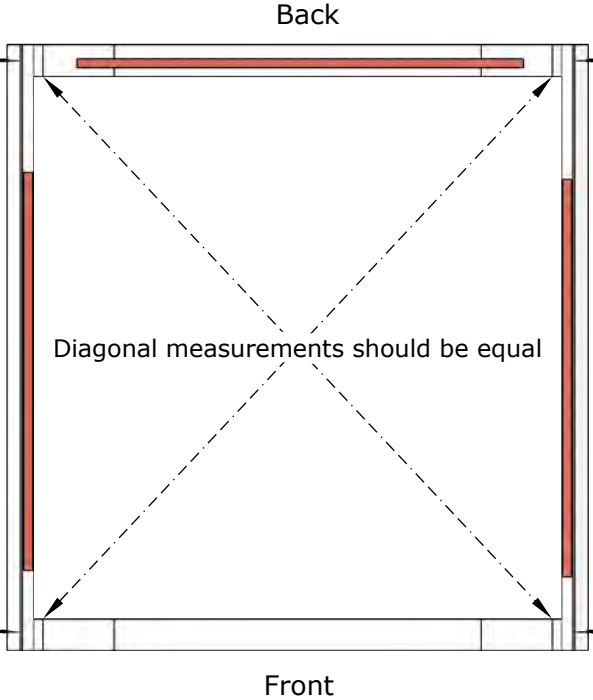
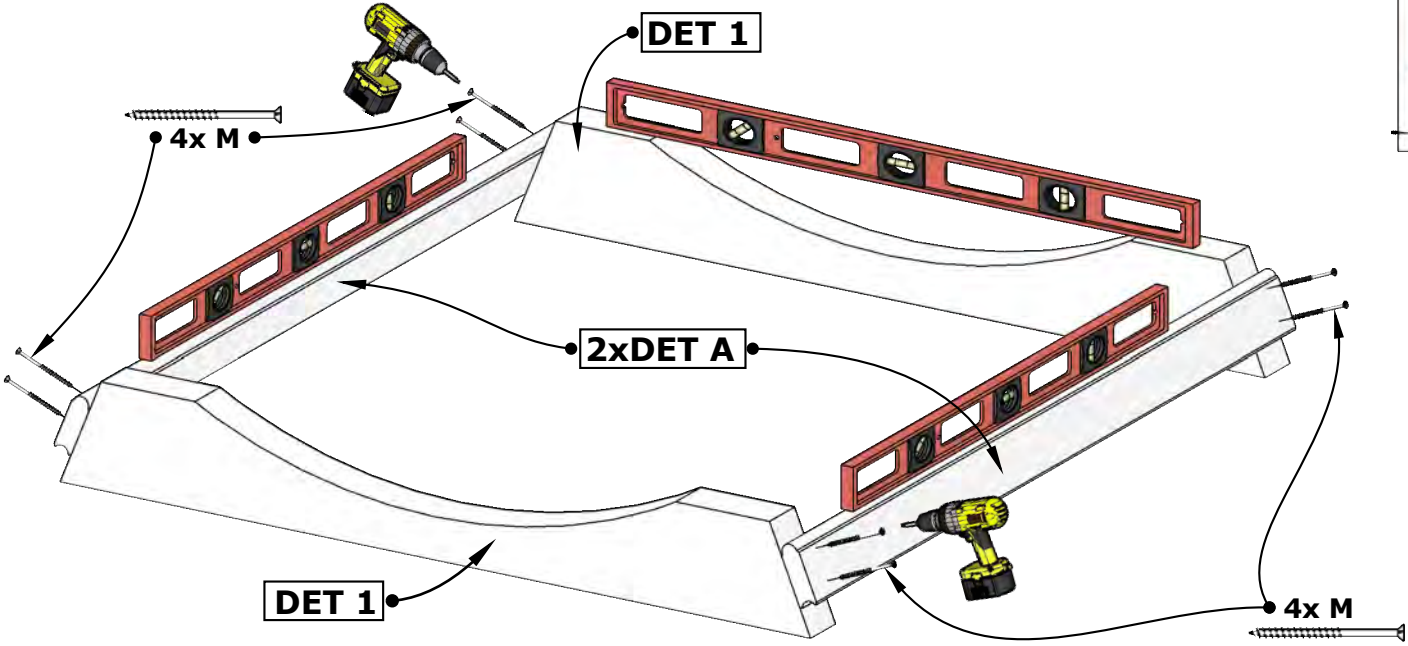
Please be careful!!!
Do not hit the glass
with the screw.



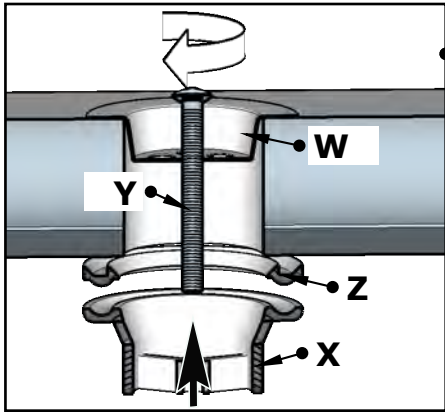
II

Wooden back wall assembly

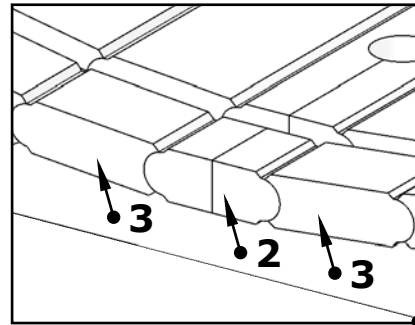
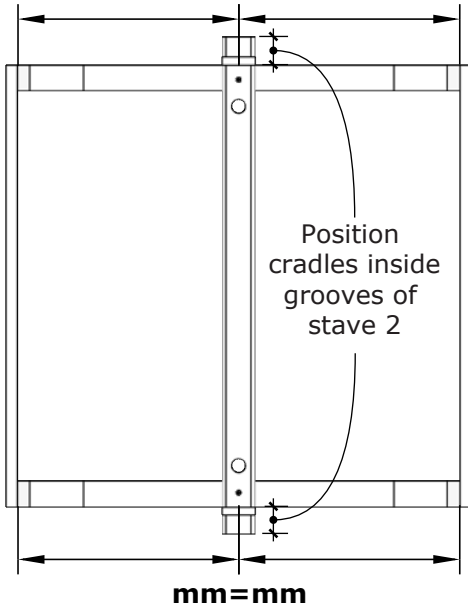
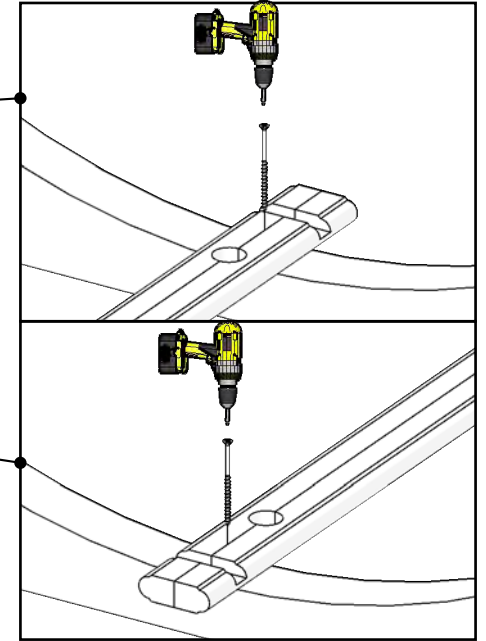
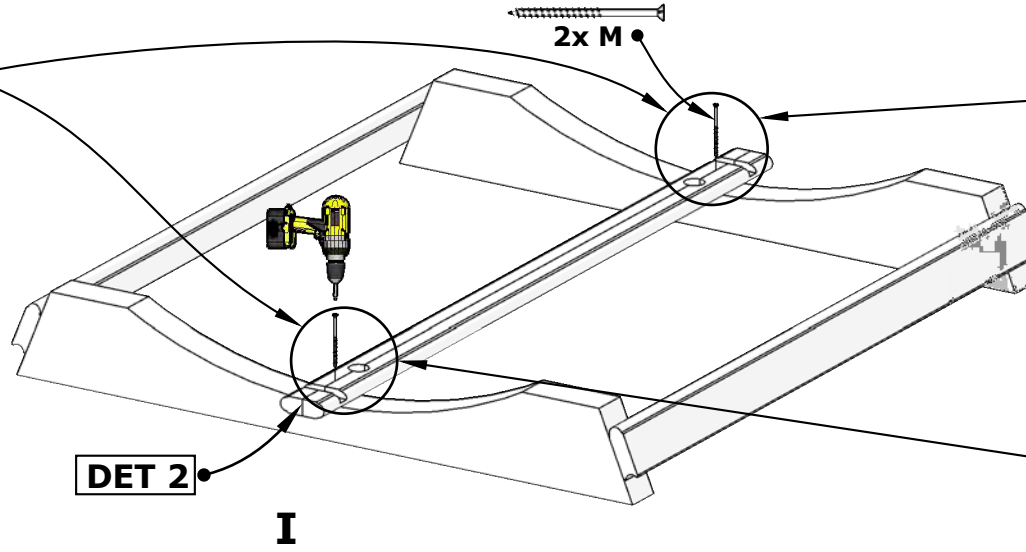




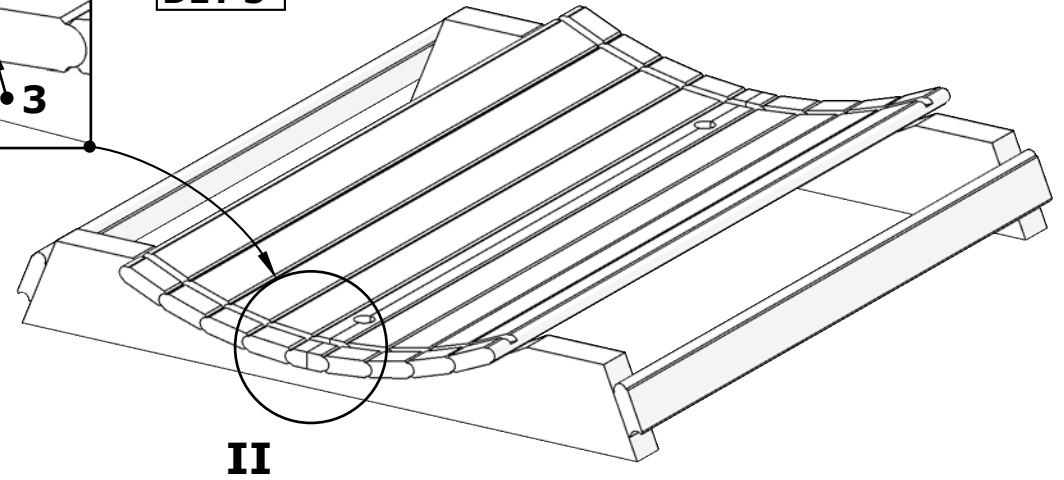
EE8G Barrel Sauna 79D" x 90H"

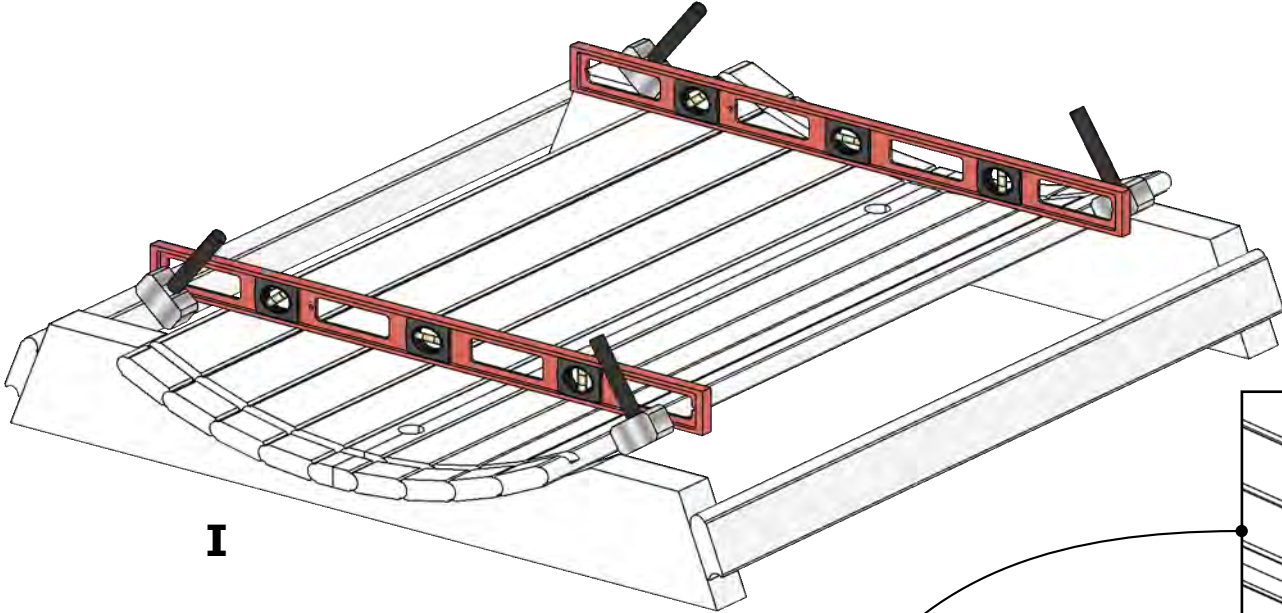


Center stave 2 on cradle 1

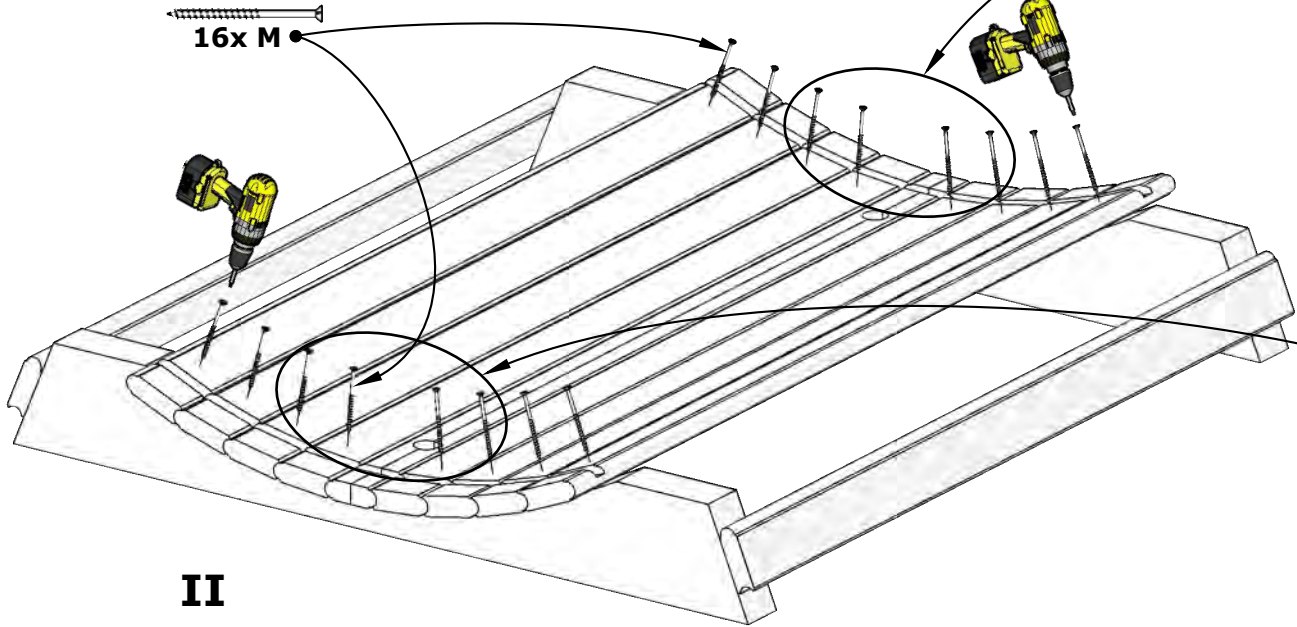


DET 3

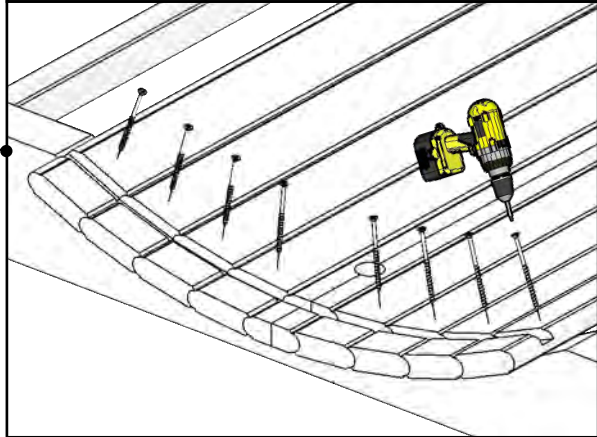
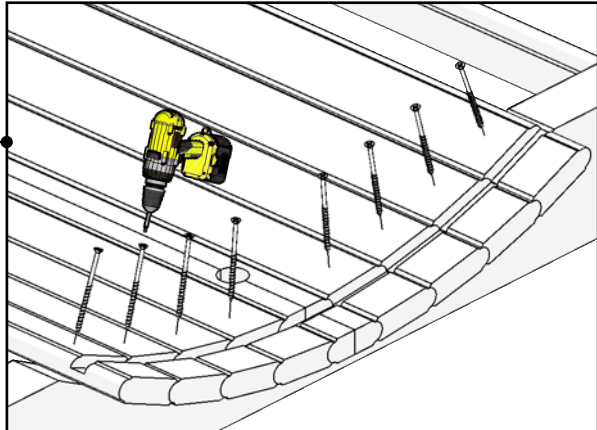




I

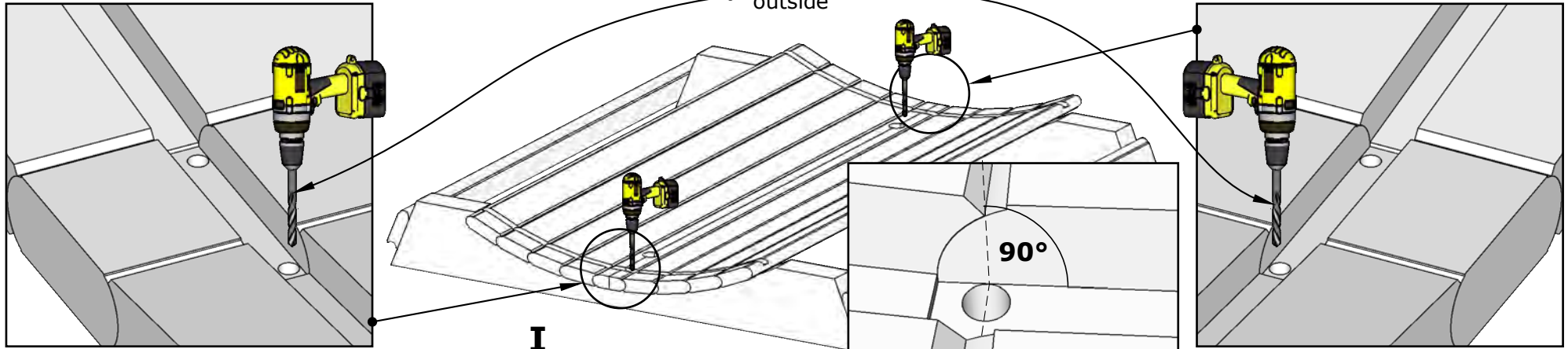


II



EE8G Barrel Sauna 79D" x 90H"

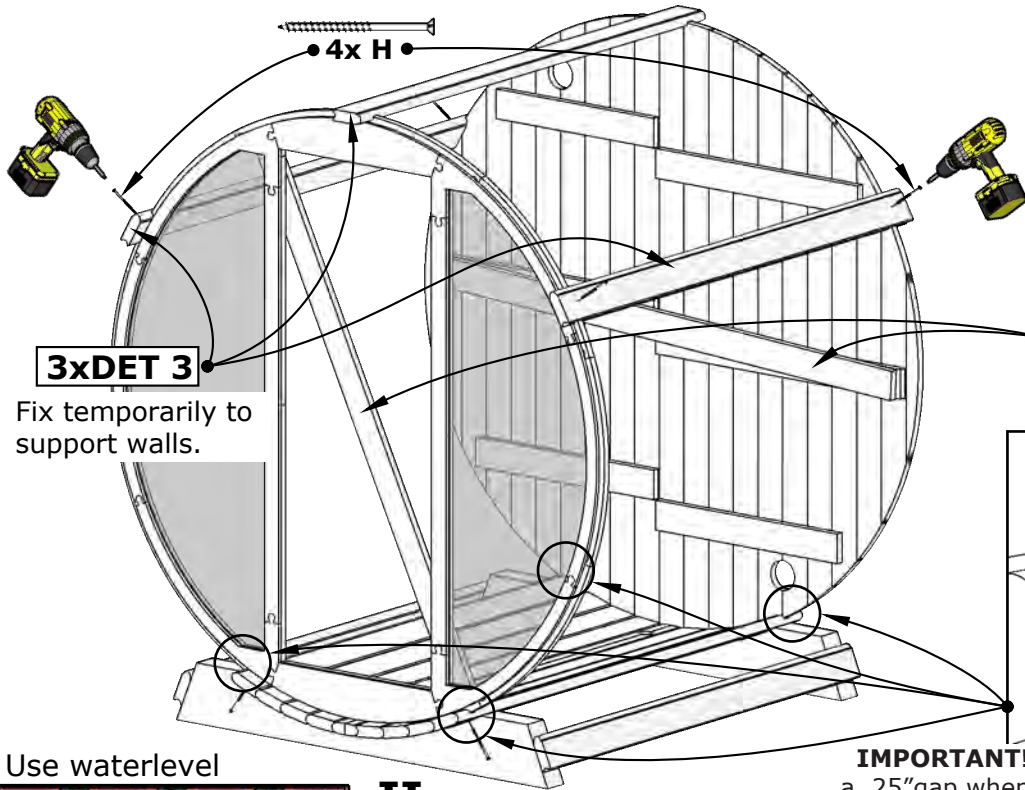
Drill 4 holes .50" through DET 2 outside



I

Check walls installation manual on extra pages!

Sauna wall configuration depends on Your model!



3xDET 3

Fix temporarily to support walls.

4x H

Brackets inside

Use waterlevel

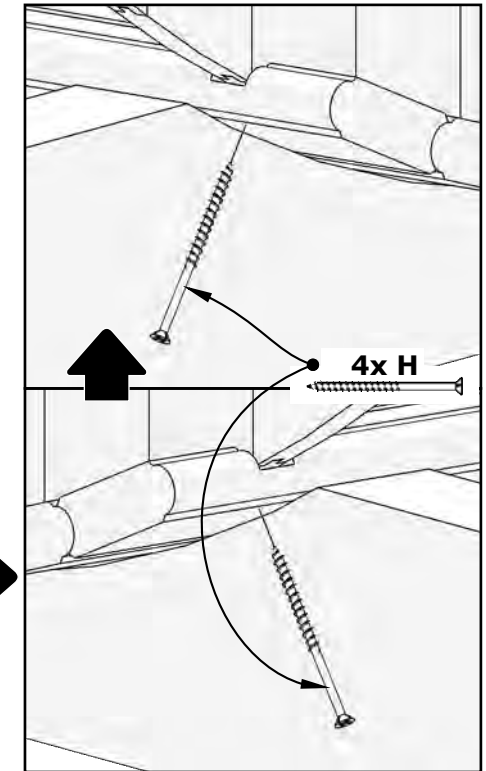


II

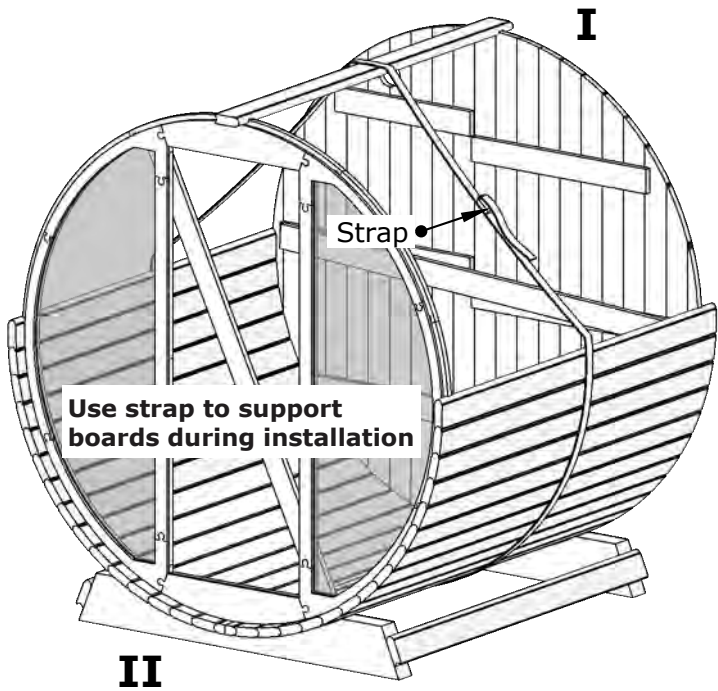
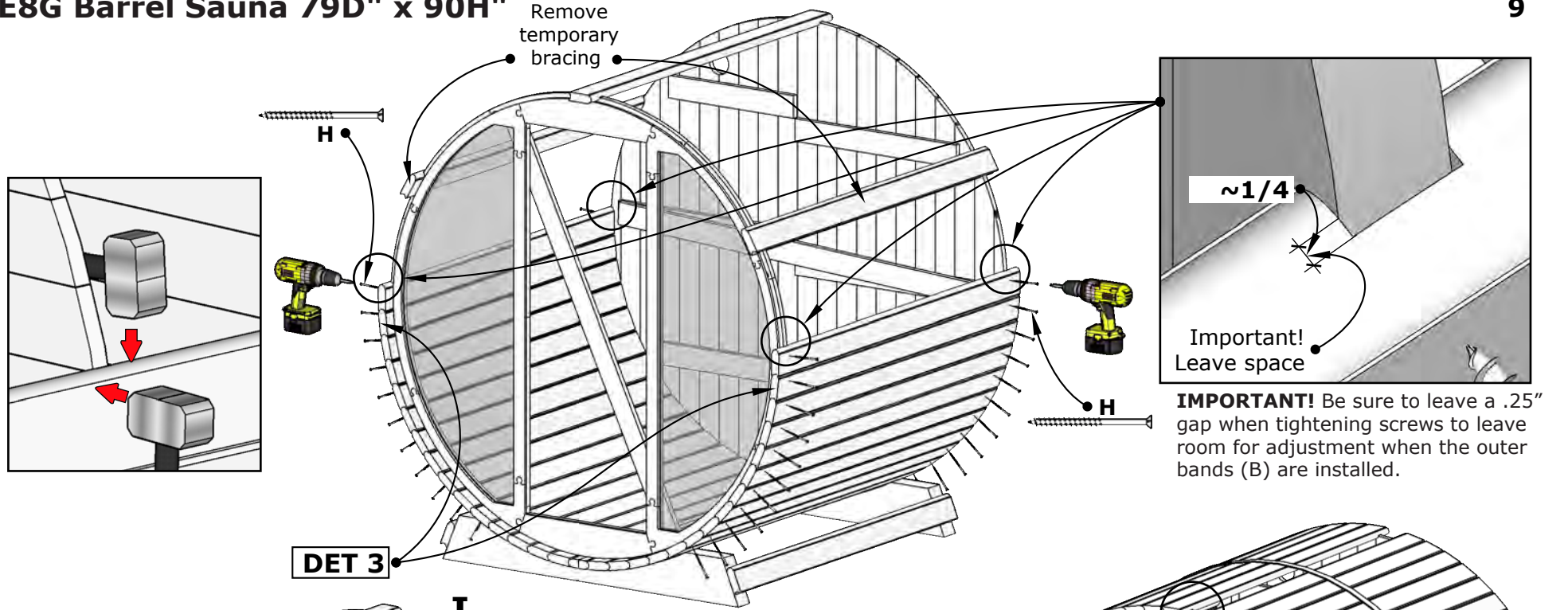
IMPORTANT! Be sure to leave a .25" gap when tightening screws to leave room for adjustment when the outer bands (B) are installed.

~.25"

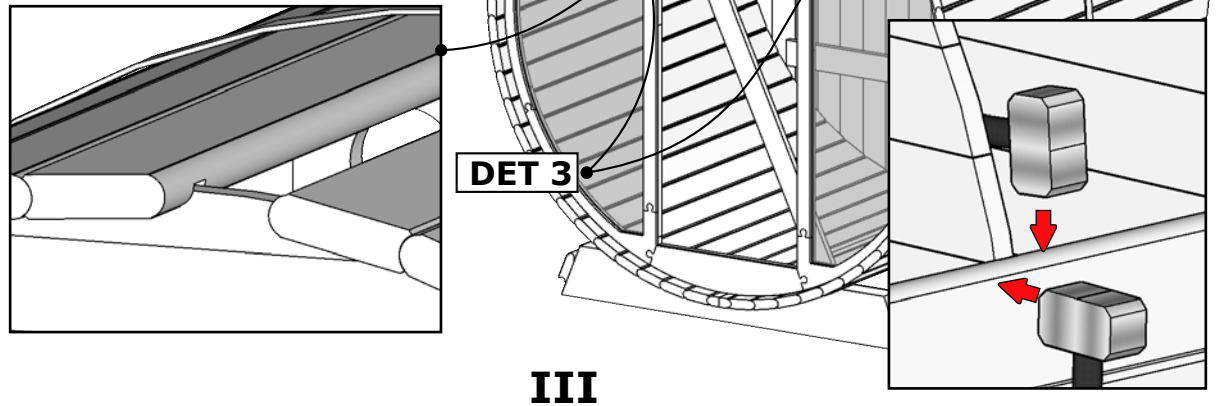
4x H



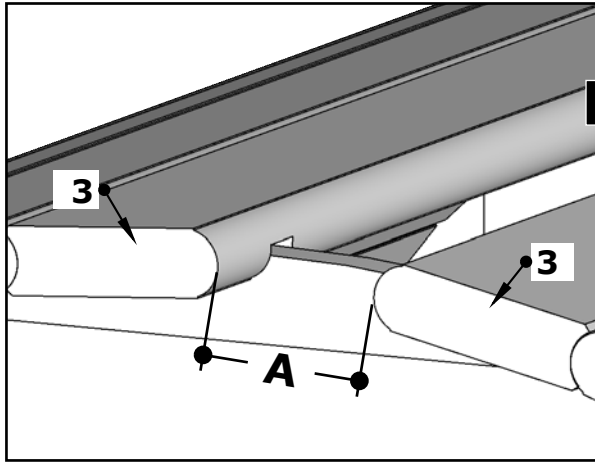
EE8G Barrel Sauna 79D" x 90H"



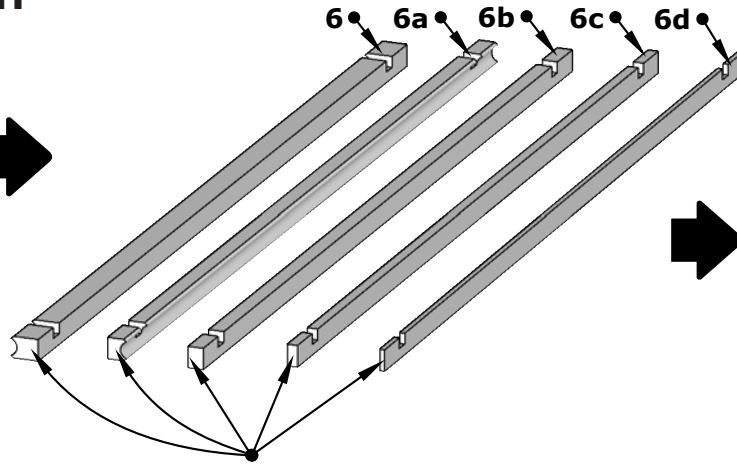
See the next page.



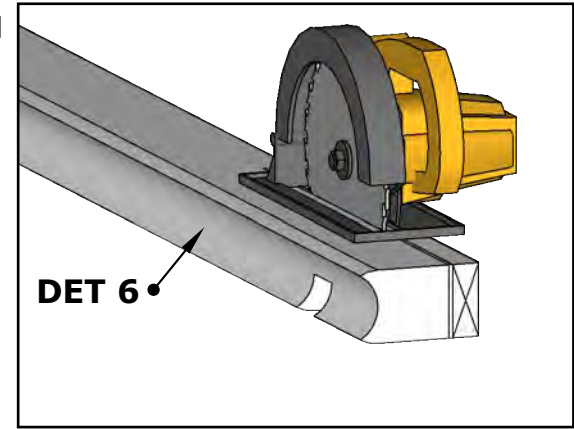
EE8G Barrel Sauna 79D" x 90H"



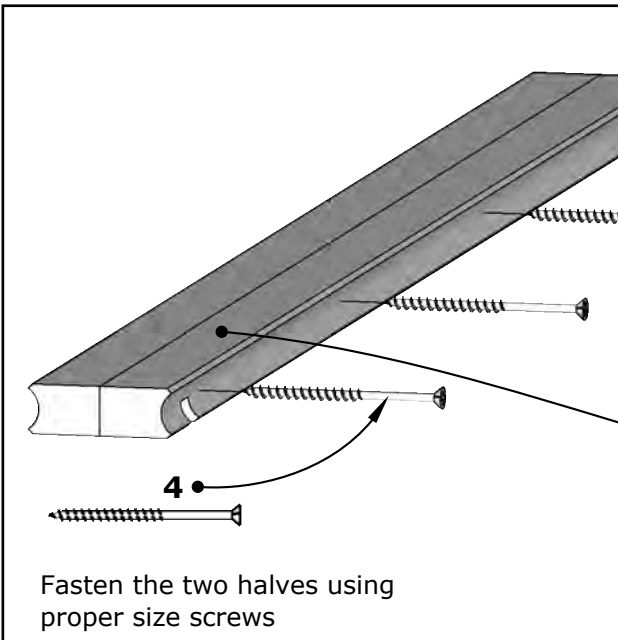
I



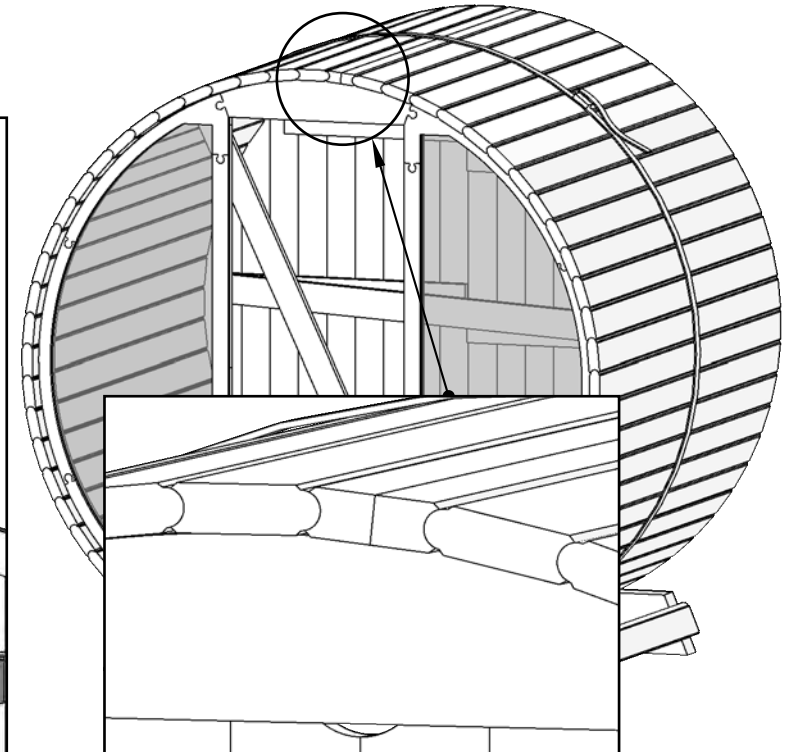
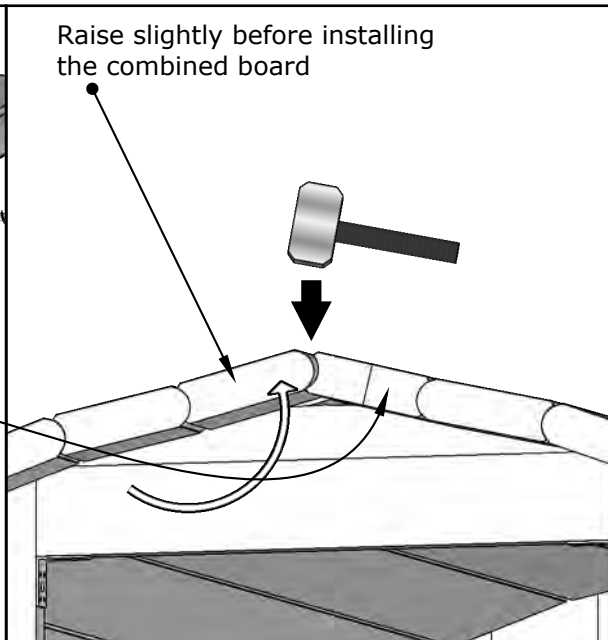
Join two boards together (as shown in diagram II) that will bridge the width of the "A" gap. It is recommended that the combined boards are approximately .25" wider than the gap.



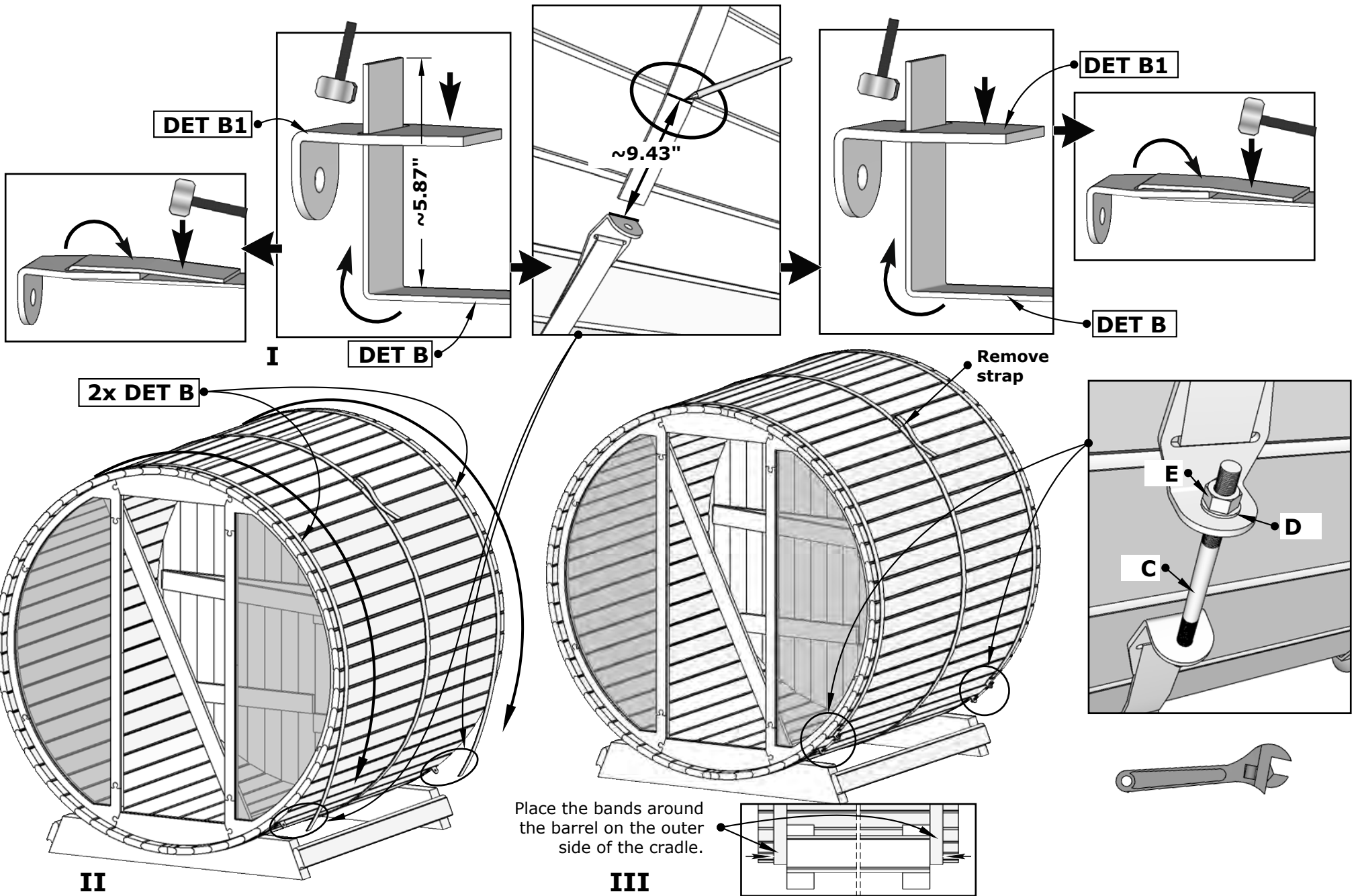
If needed, trim the flat edge of the board to create the desired width.



II



III

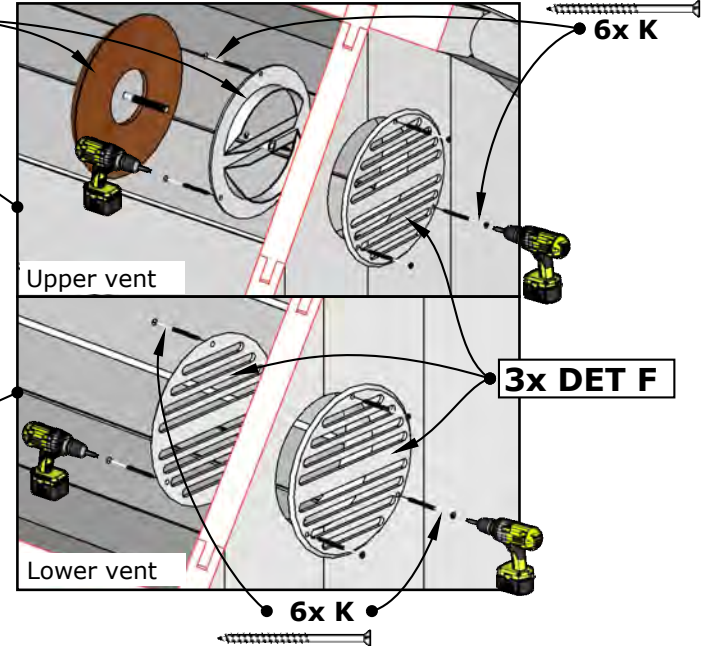


EE8G Barrel Sauna 79D" x 90H"

Remove all temporary braces

1x DET G

6x K



Upper vent

3x DET F

Lower vent

6x K

I

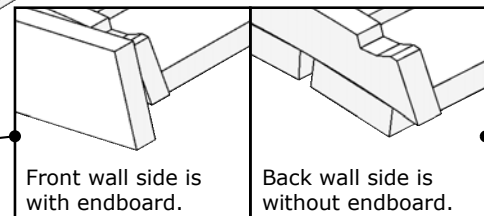
4x DET 10a

2x DET 10

12x J

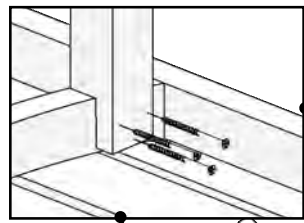
B

A

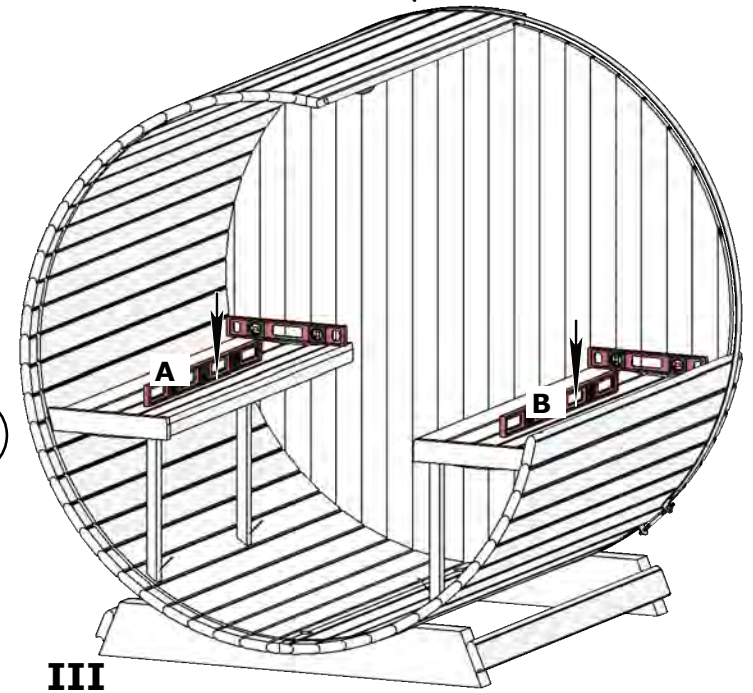


Front wall side is with endboard.

Back wall side is without endboard.



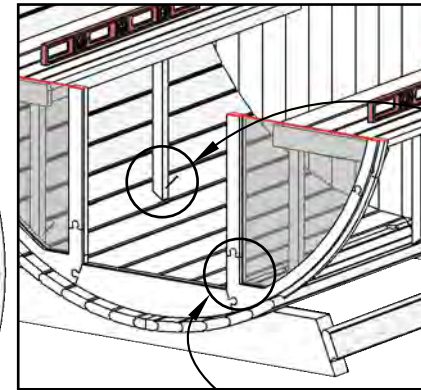
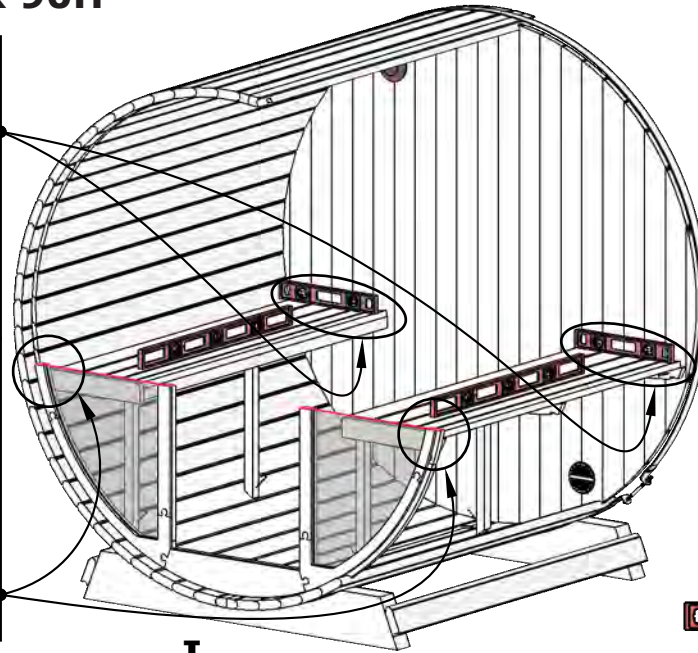
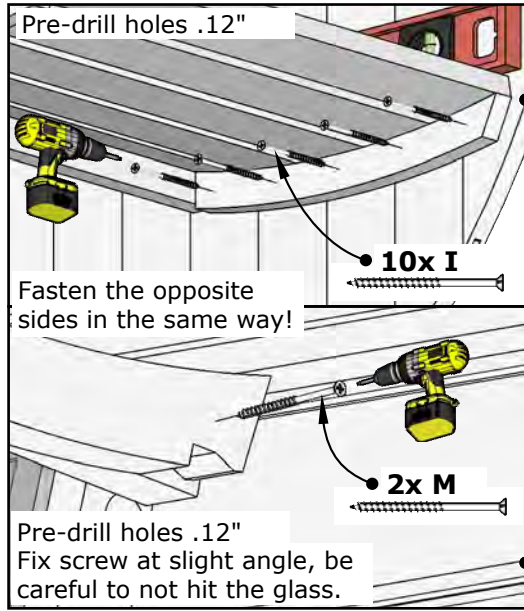
II



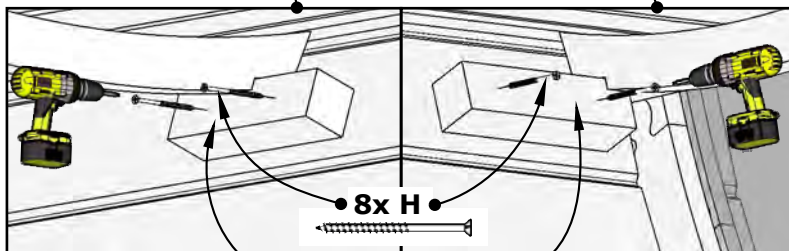
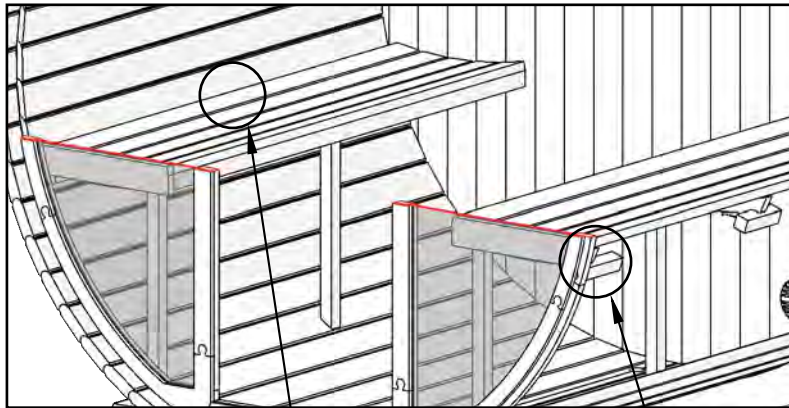
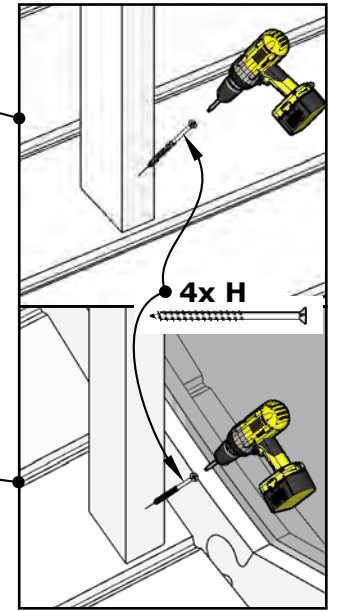
III

EE8G Barrel Sauna 79D" x 90H"

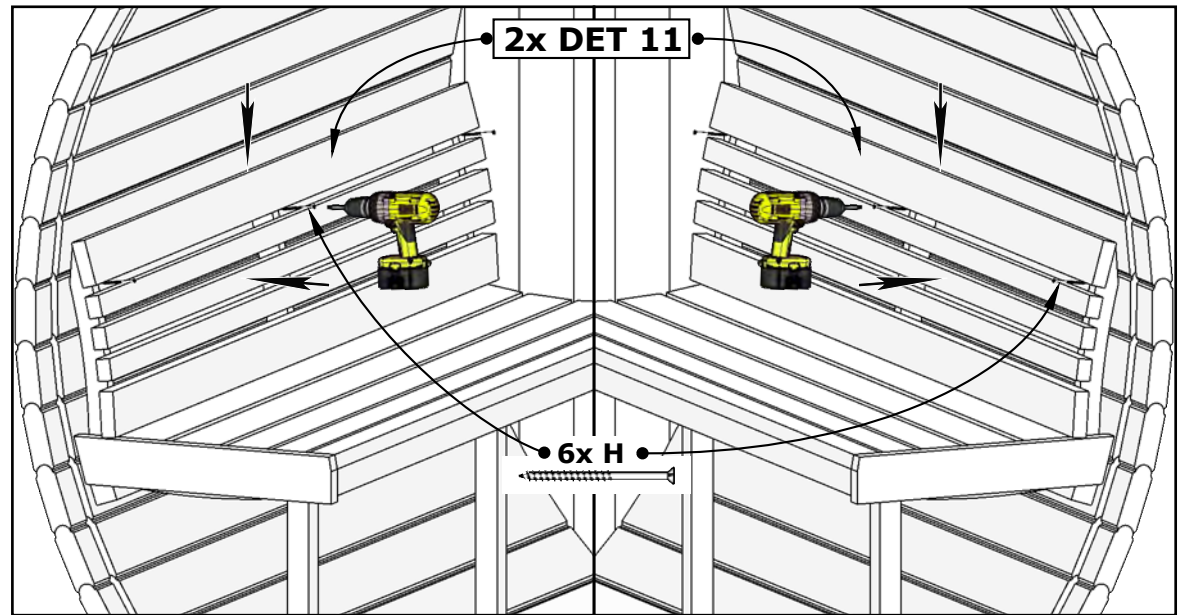
13



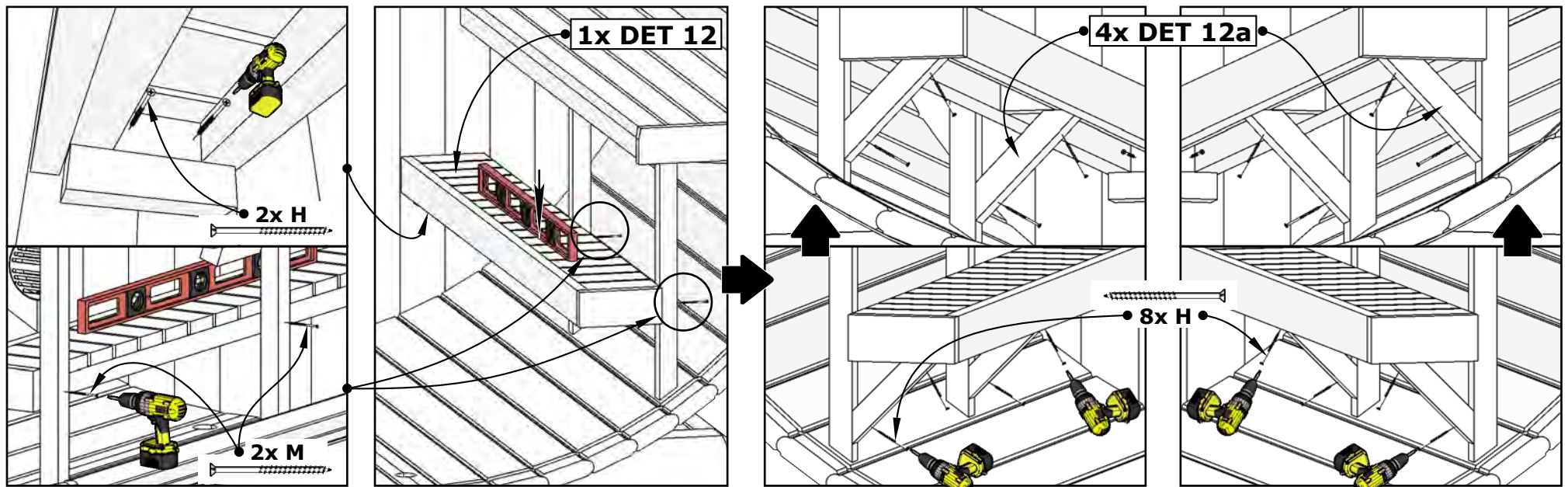
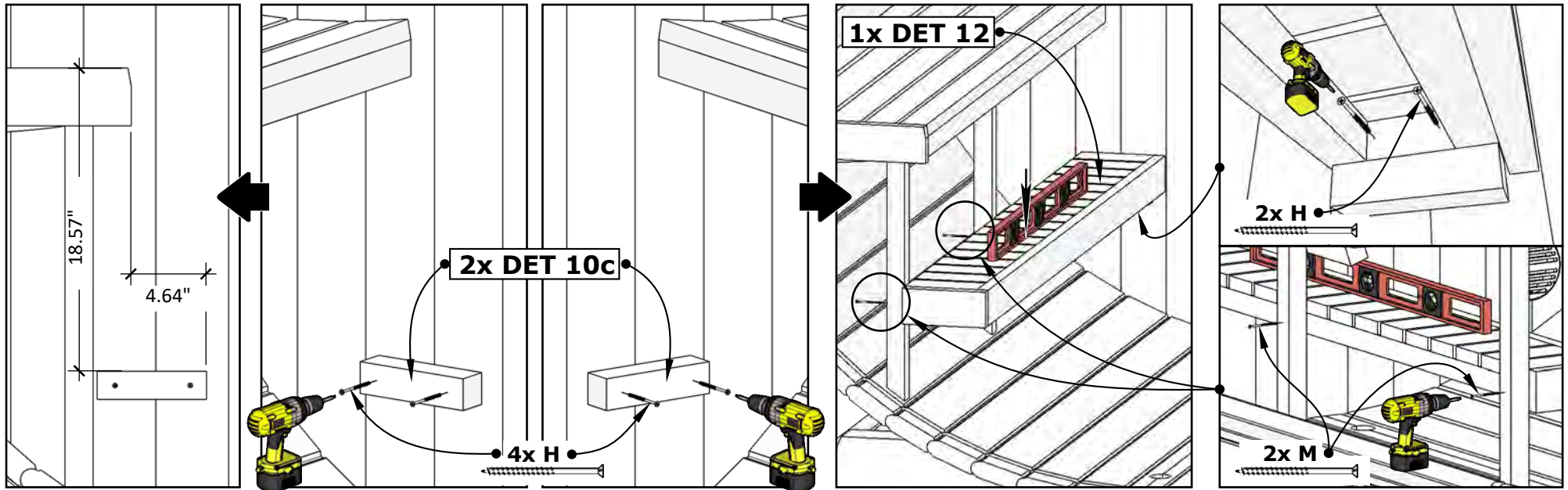
Use level for installation of benches

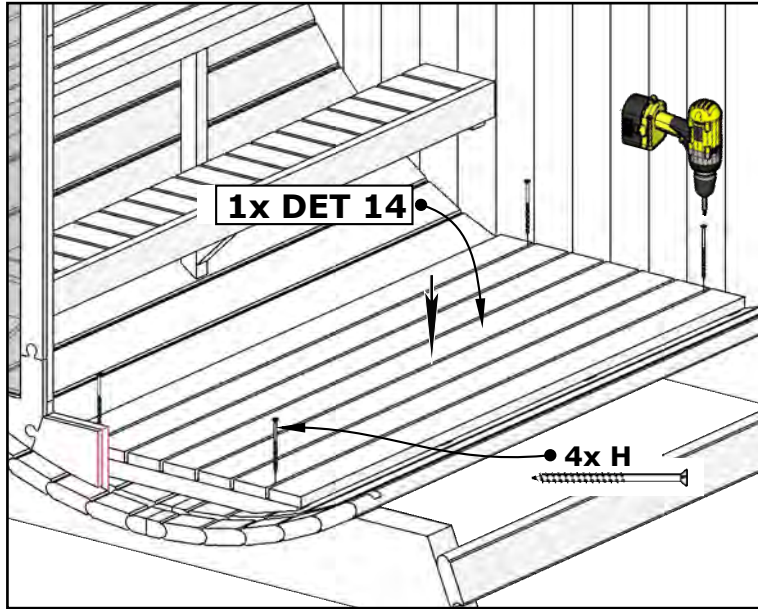


II

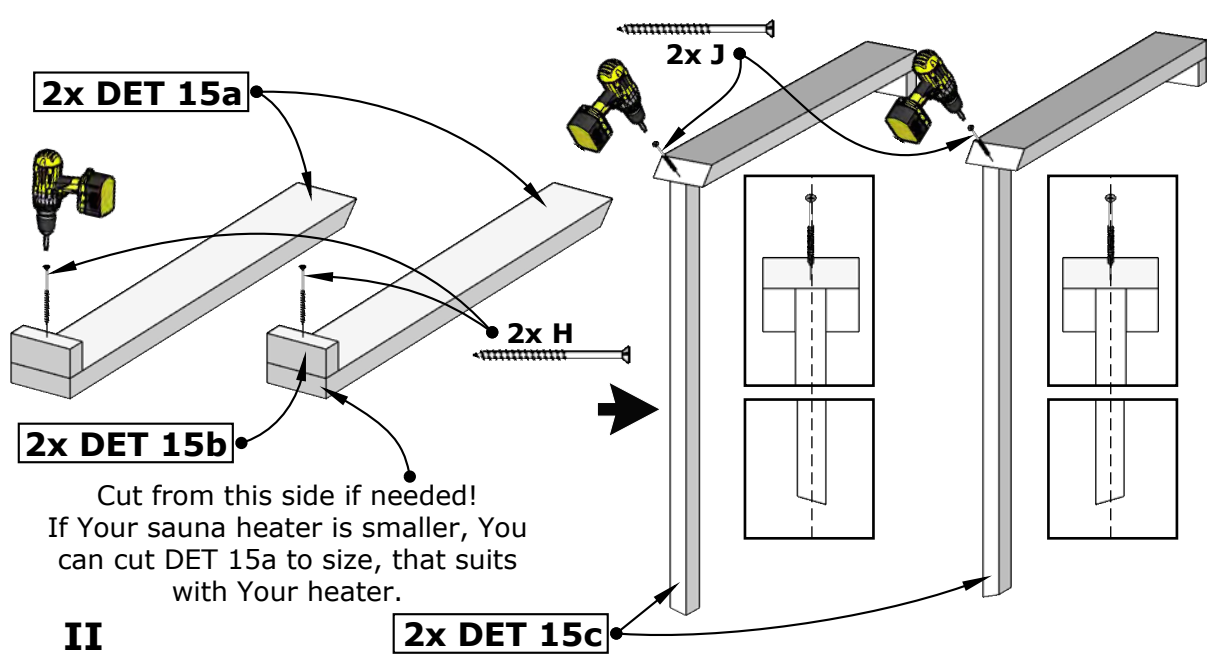


III

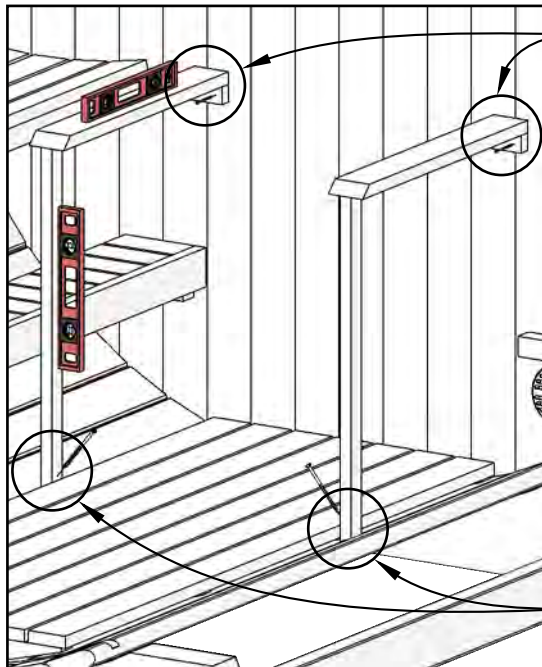




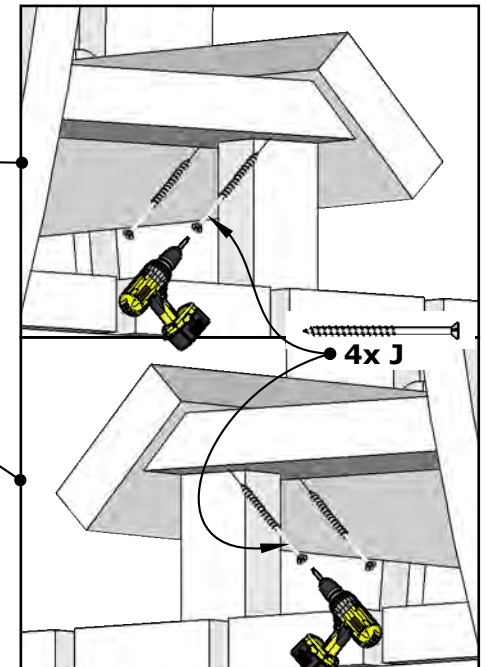
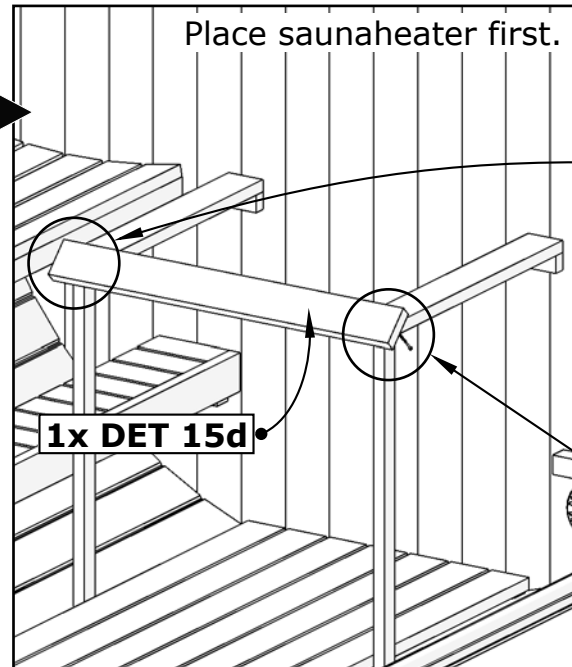
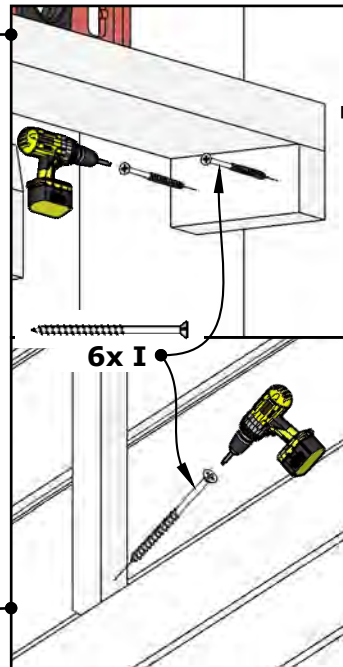
I



II

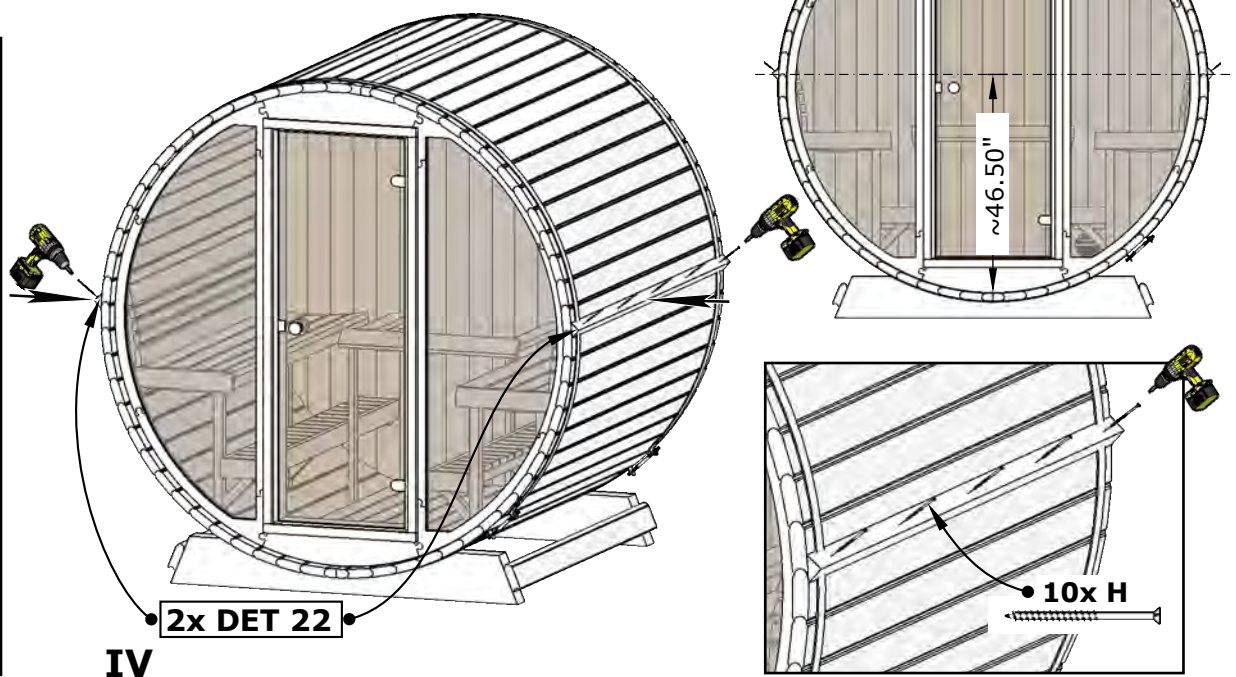
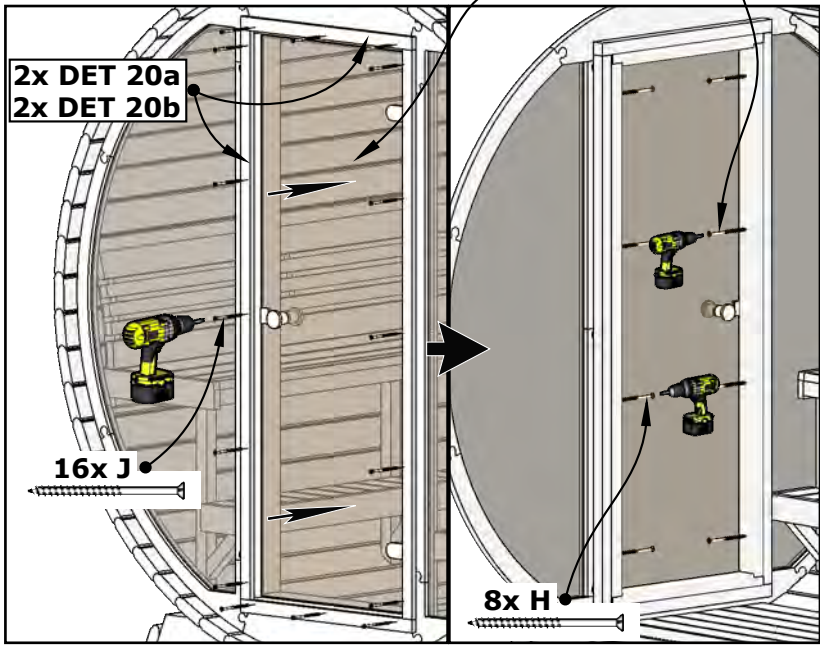
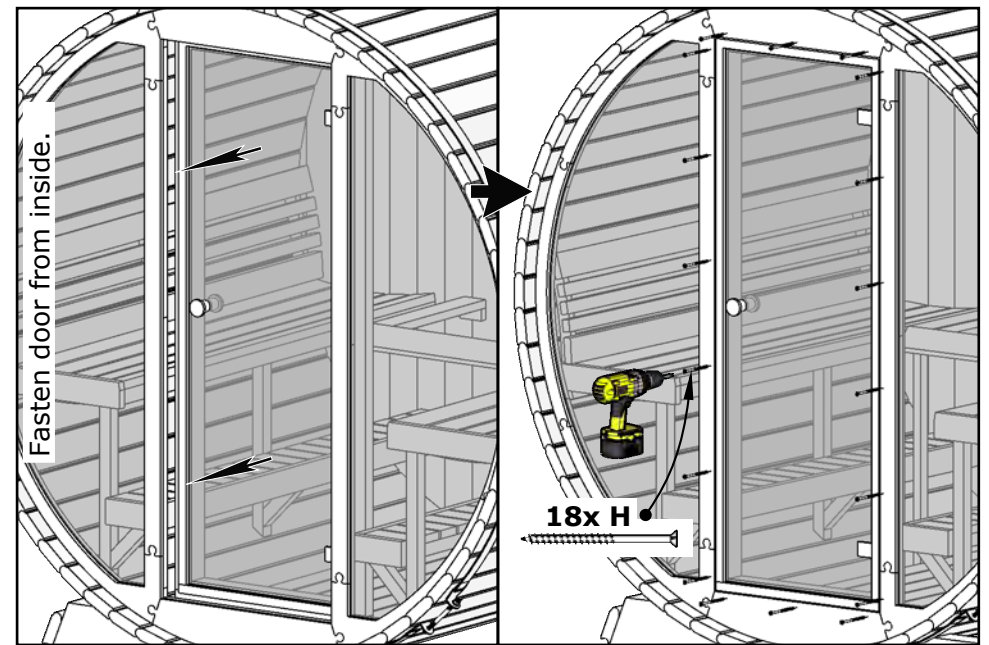
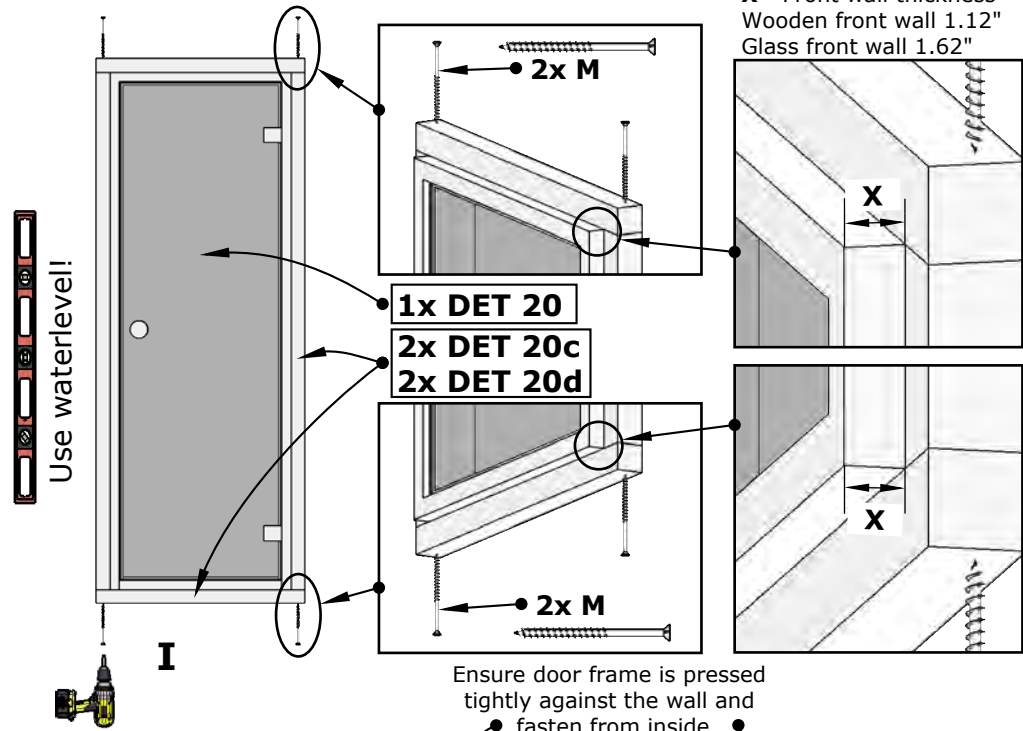


III

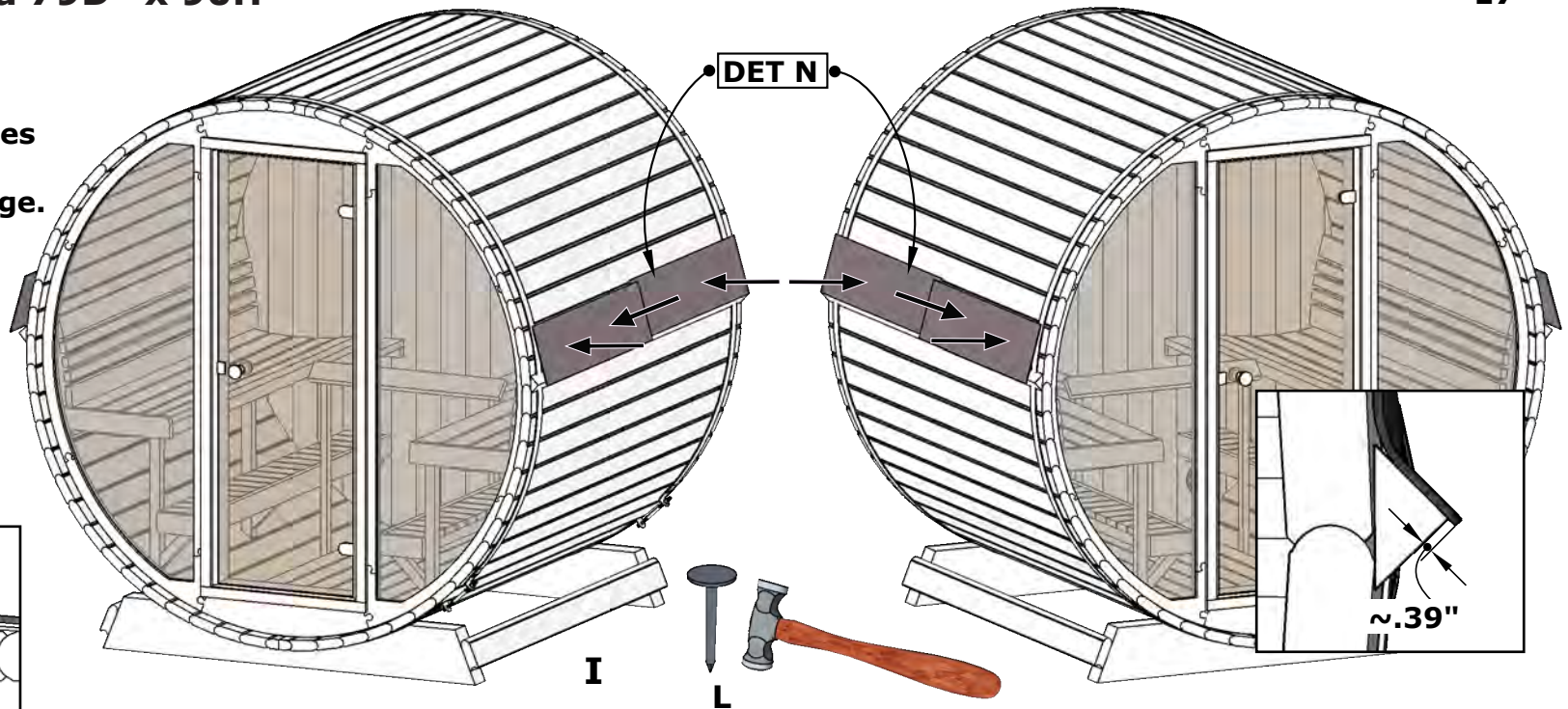


EE8G Barrel Sauna 79D" x 90H"

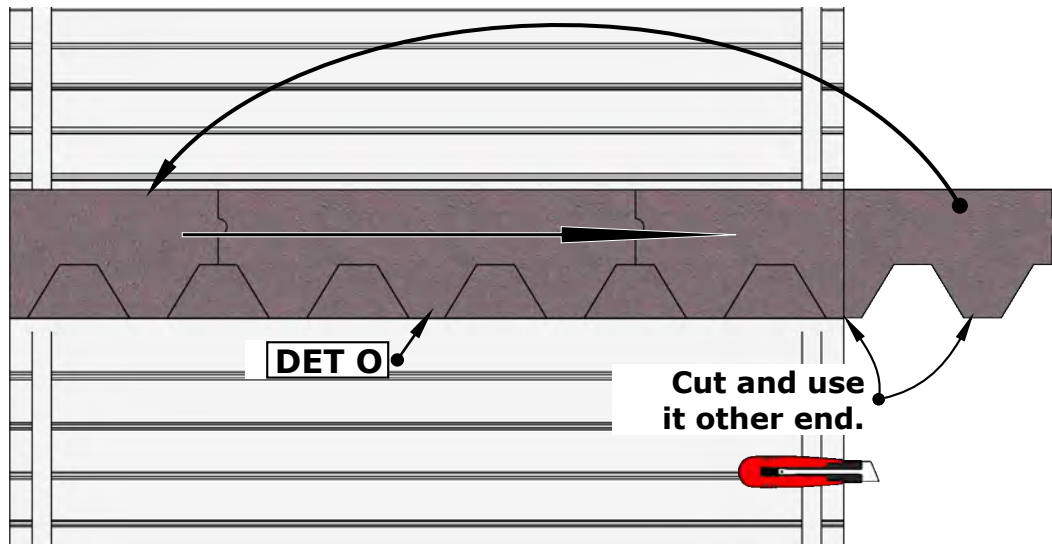
X= Front wall thickness
 Wooden front wall 1.12"
 Glass front wall 1.62"



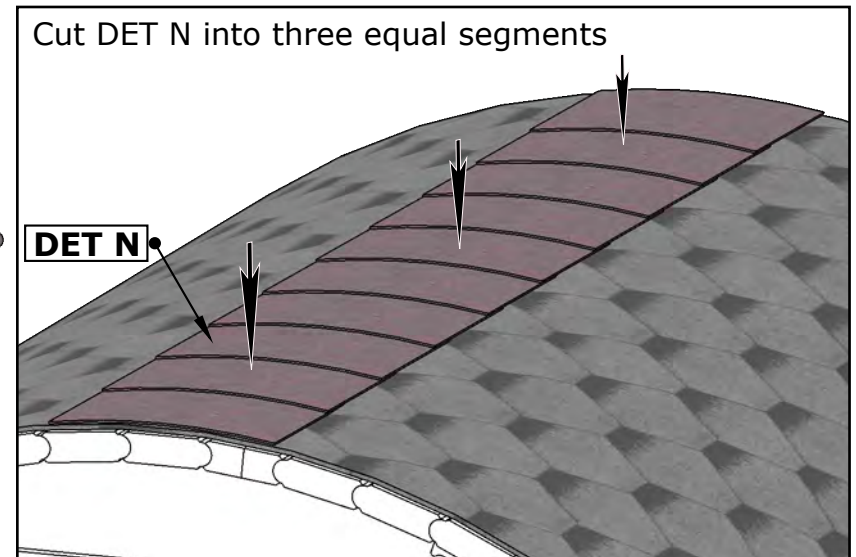
NB! Check also shingles installation manual inside shingles package.



Check also roof shingles installation manual inside package.



II



III

