

INTELLIGENT TOILET

HOROW

Product Manual

Product Name: Intelligent Toilet  
■ Model: HR-T05



Thank you for purchasing our product. Please read this manual before installation and use to ensure that your product will function at peak performance.

Read this manual thoroughly and store in a safe place for future references.

## **IMPORTANT SAFEGUARDS**

When using electrical products, especially when children are present, basic safety precautions should always be followed, including the following:  
READ ALL INSTRUCTIONS BEFORE USING

**WARNING**– To reduce the risk of burns, electrocution, fire, or injury to persons.

1. Close supervision is necessary when this product is used by, on, or near children or invalids.
2. Use this product only for its intended use as described in this manual. Do not use attachments not recommended by the manufacturer.
3. Never operate this product if it has a damaged cord or plug, if it is not working properly, if it has been dropped or damaged, or dropped into water. Return the product to a service center for examination and repair.
4. Keep the cord away from heated surfaces.
5. Never block the air openings of the product or place it on a soft surface, such as a bed or couch, where the air openings may be blocked. Keep the air openings free of lint, hair, and the like.
6. Never use while sleeping or drowsy.
7. Never drop or insert any object into any opening or hose.
8. Do not use outdoors or operate where aerosol (spray) products are being used or where oxygen is being administered.
10. Connect this product to a properly grounded outlet only. See Grounding Instructions.

## **SAVE THESE INSTRUCTIONS**

### **GROUNDING INSTRUCTIONS**

This product should be grounded. In the event of an electrical short circuit, grounding reduces the risk of electric shock by providing an escape wire for the electric current. This product is equipped with a cord having a grounding wire with a grounding plug. The plug must be plugged into an outlet that is properly installed and grounded.

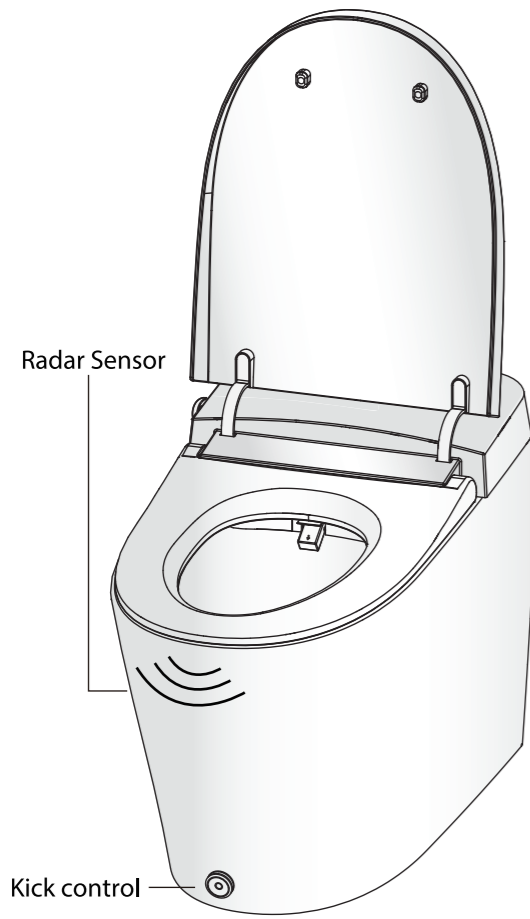
**DANGER**— Improper use of the grounding plug can result in a risk of electric shock. If repair or replacement of the cord or plug is necessary, do not connect the grounding wire to either flat blade terminal. The wire with insulation having an outer surface that is green with or without yellow stripes is the grounding wire. Check with a qualified electrician or serviceman if the grounding instructions are not completely understood, or if in doubt as to whether the product is properly grounded. This product is factory equipped with a specific electric cord and plug to permit connection to a proper electric circuit. Make sure that the product is connected to an outlet having the same configuration as the plug. No adapter should be used with this product. Do not modify the plug provided — if it will not fit the outlet, have the proper outlet installed by a qualified electrician. If the product must be reconnected for use on a different type of electric circuit, the reconnection should be made by qualified service personnel. If it is necessary to use an extension cord, use only a three wire extension cord that has a three-blade grounding plug, and a three-slot receptacle that will accept the plug on the product. Replace or repair a damaged cord.

The functions may vary from different part no.

	Part no.	HR-T05
	Functions	
Remote	Remote control	●
	No Limited Cleaning	●
Cleaning	Hip Cleaning	●
	Female Cleaning	●
	Bubble Cleaning	●
	Auto-cleaning	●
	Cleaning Back and Forth	●
	Cold/Hot Massage	●
	Water Pressure Regulation	●
	Water Temp Regulation	●
	Spout Position Regulation	●
	Removable Spout	●
	Nozzle self-cleaning	●
	Nozzle cleaning	●
	Comfort	Seat Heating
Warm Dry		●
Damping Slow Descent		●
Seat Temp Regulation		●
Wind Temp Regulation		●
Night Light		●
Frequency Instant Heating		●
Convenience	Seat Ring Induction	●
	Remote flush	●
	Automatic flushing	●
	Blackout Flush	●
	Dry flush	●
	Feet flush	●
	Speed Microwave	●
	Automatic flip	●
	Foot flip	●
	Foot touch circle	●
	Remote flip	●
Remote turn	●	
Safety	Memory Mode	●
	Filter Steel Mesh	●
	Air Isolation	●
	UV Sterilizer	●
	Prevent Cross-flow	●
	Nano-antibiotic	●
	Eight Safe Keeping	●
	Flame and Heat Resistance	●
Self-cleaning glaze	●	

# User Friendly Design

Kick control, Radar sensor,  
New features to offer you an enjoyable experience



**Kick open lid**

Hands off design  
Foot-touch control

**Radar Sensor**

Auto open lid/seat  
when user approaches

## Contents

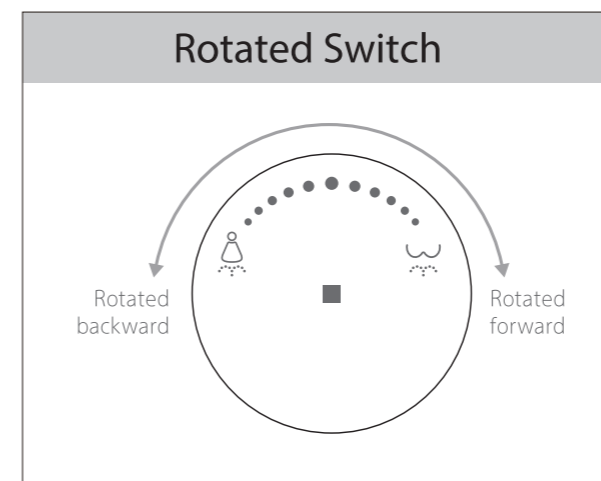
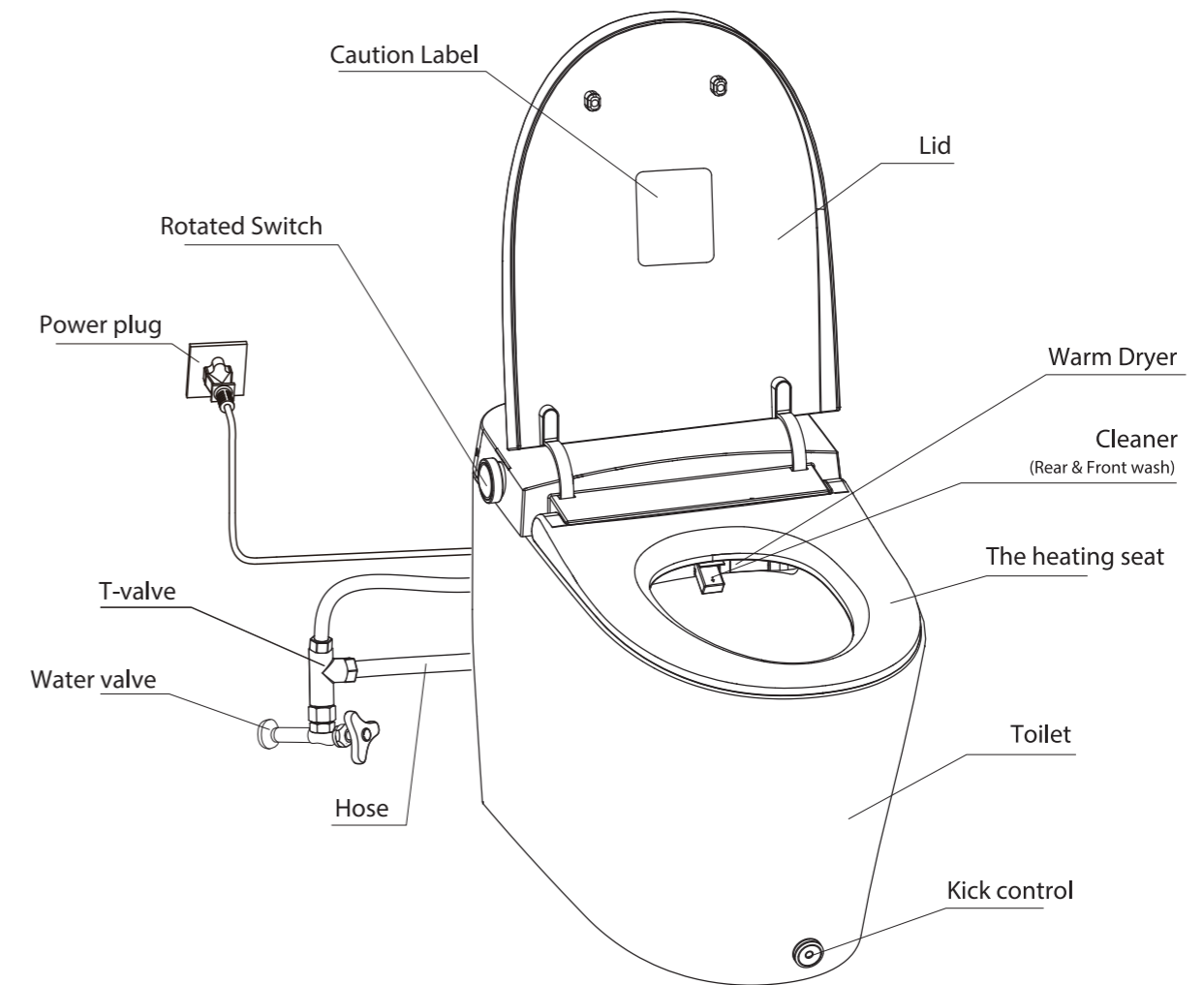
Parts Information . . . . .	1	Before use
Overview . . . . .	1	
Remote Control . . . . .	2	
Safety Information . . . . .	3	
Warnings . . . . .	4	
Attention . . . . .	6	
<hr/>		
Installation . . . . .	7	Functions
Before you Install . . . . .	8	
Installing Your Product . . . . .	9	
Function Explanations . . . . .	13	
Maintenance . . . . .	16	
Surface Cleaning . . . . .	16	
Filter Maintenance . . . . .	16	
Nozzle Maintenance . . . . .	17	
<hr/>		
Troubleshooting . . . . .	18	troubleshooting
Power button . . . . .	18	
Wash functions . . . . .	18	
Dryer . . . . .	19	
Heated Seat . . . . .	19	
Remote Control . . . . .	19	
Toilet Unit . . . . .	19	
Soft-Closing Feature . . . . .	19	
Specifications . . . . .	20	

Intelligent Toilet

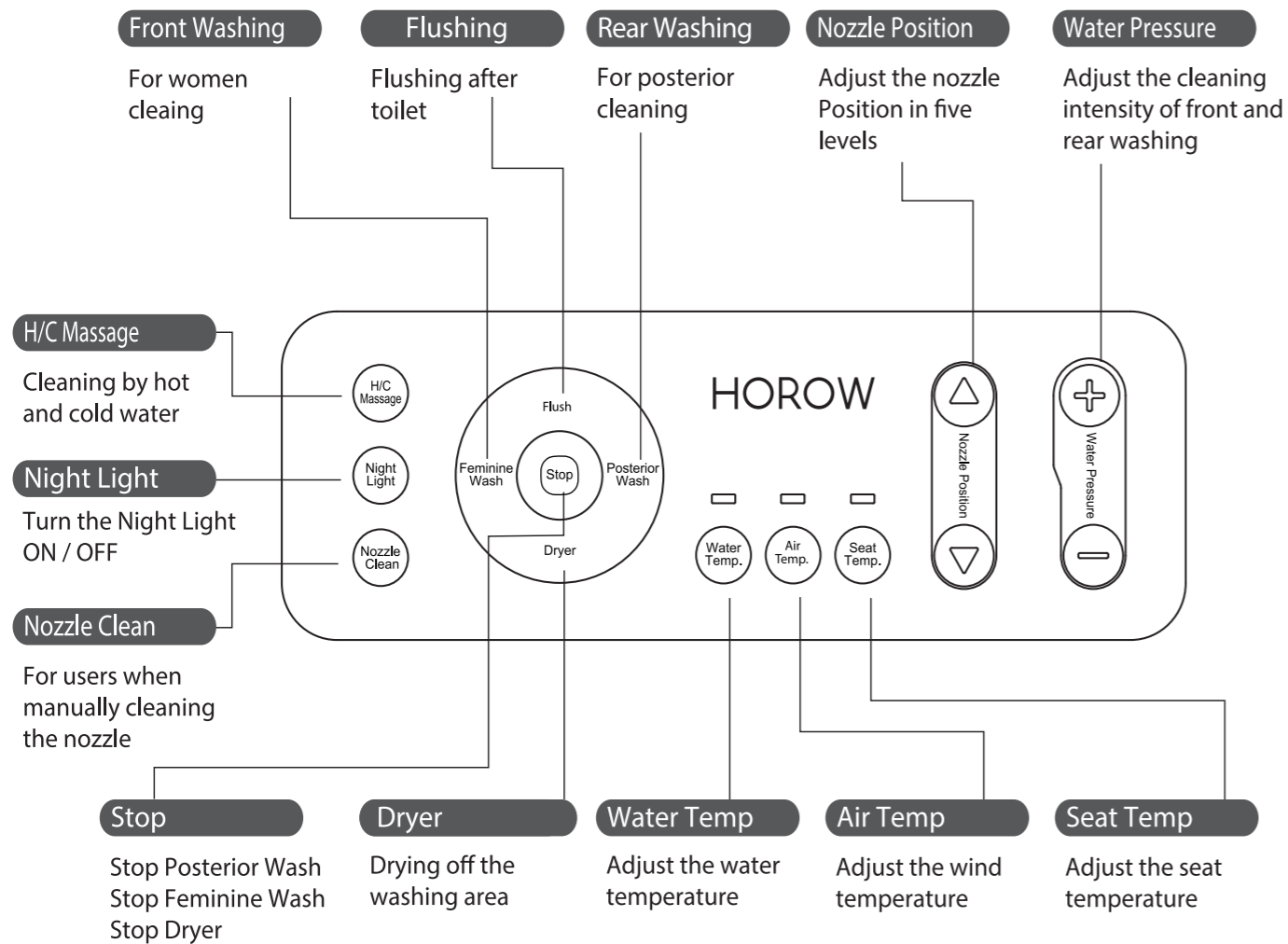
# Parts Information

Overview, Sideview, Remote controller

## Overview



## Remote Controller



# Warnings and Safety

## Please read thoroughly

First of all, thank you for purchasing our product. To ensure proper and safe use of this product, carefully read this section prior to any usage. Afterwards, store this manual in a safe place for any needed future reference.

The hazards and warnings listed herein are important to our user's safety. Significant consequences may result from failure to heed warnings. The company will not be held liable for any injuries to the user and damages to the product due to improper usage and/or failure to heed safety warnings.

### Explanation of Terms and Symbols

- Warning** . . . 「Indicates possible injury resulting from improper usage due to negligence of this sign.」
- Attention** . . . 「Indicates human injury or property loss that may result in improper usage due to negligence of this sign.」
- . . . . 「Note」 When used with the above "Warning" and "Attention" signs, indicates a strict request to follow noted precautions.
  - . . . . 「Prohibits any individual from performing any action with this symbol」
  - . . . . 「Prohibits any individual from dismantling product.」
  - . . . . 「Keep product away from any wet environments, including, but is not limited to, humid environments, close proximities to baths, showers or sinks. 」
  - . . . . 「Do not touch!」
  - . . . . 「Do not touch with a wet hand!」
  - . . . . 「Keep away from any extreme heat or fire!」
  - . . . . 「Operate only as instructed! 」
  - . . . . 「Pull out the power plug! 」
  - . . . . 「Protective grounding 」

**Warning**

This product needs to be properly grounded.

- ※Risk of electric shock
- ※If unsure, contact an electrician. electrical installation company.



Do not place a lit cigarette along with other burning objects into the unit.

- ※Risk of fire.



Do not touch, insert or pull out the power plug with a wet hand.

- ※Risk of electric shock.



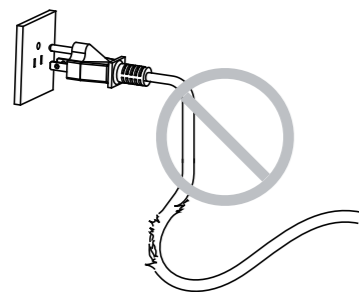
Do not use during thunderstorms (pull out the power plug during storms).

- ※Failure in doing so may lead to injury or fault in the product.



Do not use a power socket in poor condition or a damaged power plug.

- ※Risk of fire and/or electric shock.



When the seat ring or the cover plate is damaged, to avoid any harm, be sure to pull off the power plug, close the water source and contact your local distributor for replacement.

- ※Risk of fire or electric shock.



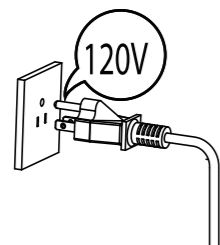
Regularly pull out the power plug and wipe off any dust on the power plug using a clean dry cloth.

- ※Risk of fire.



The power socket in use should be within the specified range (AC120V).

- ※Risk of fire and/or electric shock.



Any person with a disability, the elderly, and children, should be using this product with the supervision of another individual.

- ※Be advised that sitting on the heated seat for an extended amount of time may result in burns.



Do not pull, damage, bend, twist, stretch, roll, bundle, clamp or squeeze the power cable. Do not place anything on power cable.

- ※Risk of fire and/or electric shock



If the power cord is damaged, to prevent any injuries or accidents, it should be replaced by a professional.

- ※Risk of fire and/or electric shock



Do not dismantle, repair or alter this product on your own. Call in a professional.

- ※Risk of fire, electric shock, and/or other accident that may lead to injury.



**Warning**

For cleaning or maintenance of plastic parts, do not use any harsh cleaning agents. (These include, but are not limited to products such as: concentrated sulfuric acid, concentrated nitric acid, glacial acetic acid, carbon tetrachloride, chloroform, acetone, butanone, benzene, methylbenzene, phenol, methylphenol, dimethylformamide, methyl ether, soybean oil, acetate, 40% nitric acid, thick salt acid, 95% alcohol, gasoline, kerosene or brake oil, etc).

- ※Risk of damaging parts that can lead to accidents and injuries



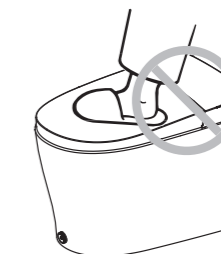
Do not use polluted water or water meant for industrial.

- ※Risk of urocystitis or dermatitis. Untreated water may also cause corrode inner workings of unit and may cause electrical shock or a fire.



Do not apply any force to the unit's seat and lid. Do not stand on the lid or open or close the lid and the seat forcefully.

- ※This may result in product damage and/or user injury.



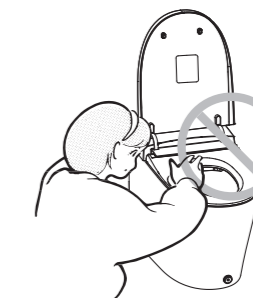
Do not add water or detergent into the unit or on to the wireless remote. Do not soak the product with water or cleaner.

- ※Risk of fire and/or electric shock.



Do not place your hand or any other object into the dryer trap, and do not cover the dryer and dryer trap during product use.

- ※Risk of fire, electric shock, and/or other accident that may lead to user injury.



Do not install product in a humid environment or a soak room. Do not spray or soak this product with any form of liquid to prevent any damage to the product.

- ※Risk of fire and/or electric shock.



Do not spray urine at the dryer trap.

- ※Risk of electric shock.



Read the following for proper battery usage.

- Properly install the battery according to its correct polarity.
- Remove the battery during long periods without use.
- Replace the battery before it reaches the end of its usage. Failure to do so may result in interrupted control signals.
- Cover the battery with tape before disposal.
- ※This will prevent battery fluid leaks that may cause fire and/or other damages.





## Warning

- Place the battery out of children and infant reach.
- ※ If battery is swallowed, contact a doctor immediately.
- If battery fluid leaks onto user, quickly rinse off area using water.
- If battery fluid gets into eyes, do not rub your eyes. Quickly rinse it with water and consult a doctor immediately.
- ※ May result in vision impairment or blindness.



When the battery is in use, do not do the following operations.

- Do not hold or store with metal objects (such as a necklace or a watch).
- Do not mix new and old batteries.
- Do not pull battery apart battery or throw it into water and/or fire. Battery fluids may cause a fire.



## Attention

Do not use the heated seat or warm dryer temperature for an extended amount of time.

※ Extended use may result in burns.



Avoid direct sunlight or heat.

※ Risk of product discoloration.



While using this product, make sure that the skin is in contact with the seat sensor area. Otherwise, product may not operate correctly.

※ Children and smaller individuals may have trouble staying in contact with sensor area.



Do not supply electricity with an external switch. I.e: connecting the universal part to a timer switch.

※ Run the risk of issues caused by improperly resetting the thermal breaker.



When the filter is being replaced, be sure to close the water supply angle valve. When the filter is being installed, be sure to fasten it with force.

※ Risk of water leak



Do not spray urine in the direction of the bidet nozzle.

※ Doing so may result in blockage to the bidet nozzles and cleaning area.



Pull out the power plug when the product is in disuse for an extended amount of time. Make sure to shut off the water and remove the water inside the product.

※ Risk of fire, leaks, and product damage.



Do not use your old hose component. Use the one provided with your product. Anything else connected to the older hose may need to be replaced.

※ Risk of water leakage and/or property loss/damage.



In case of sudden power failure, remove the power plug and close the angle valve to prevent water leakage.

※ Risk of water leakage and/or property loss/damage.



When storing or transporting in cold climate, make sure to remove all water from the unit. Product may crack and other damages may occur due to freezing water.

※ Risk of fire, leaks, and product damage.



# Installation

Tools required for installation

## Required tools

Required tools for installation. Please have these tools prepared prior to installation.



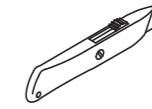
Drill  
(Dia. 0.24in)



Silicone gun



Teflon tape



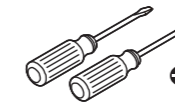
Knife



Marking pen



0.91 - 0.98 in  
(Spanner model varies for different pipes)



⊕ ⊖ screw driver



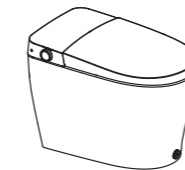
Measuring tape



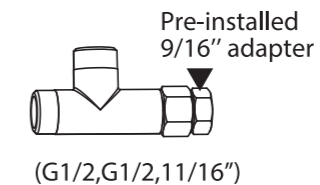
Measuring cup

## Item list (Confirm that all below items are inside the box)

Intelligent toilet(1 set)

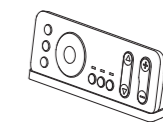


T-valve(1 pc)



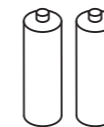
(G1/2,G1/2,11/16")

Remote controller set(1 set)

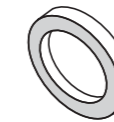


(holder 1 pc, screw 2 pcs)

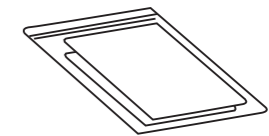
Two AAA Battery



Wax ring(1 pc )



Installation Book & User Manual



Spare battery box(1 set)



Floor flange(1 pc)



Bolt (2pcs)

Mounting bracket (2pcs)

Washer (8pcs)

Hexagon bolt(4pcs)

Bolt(2pcs)

※ Please confirm all the aforementioned items are inside the package. If there are any omissions, please contact our customer service.

※ Illustrations above are for references only, Actual objects may look different in person.

※ If your water valve is 9/16", you could directly connect the T-valve; If your water valve is 11/16", please screw off the adapter, then connect it.

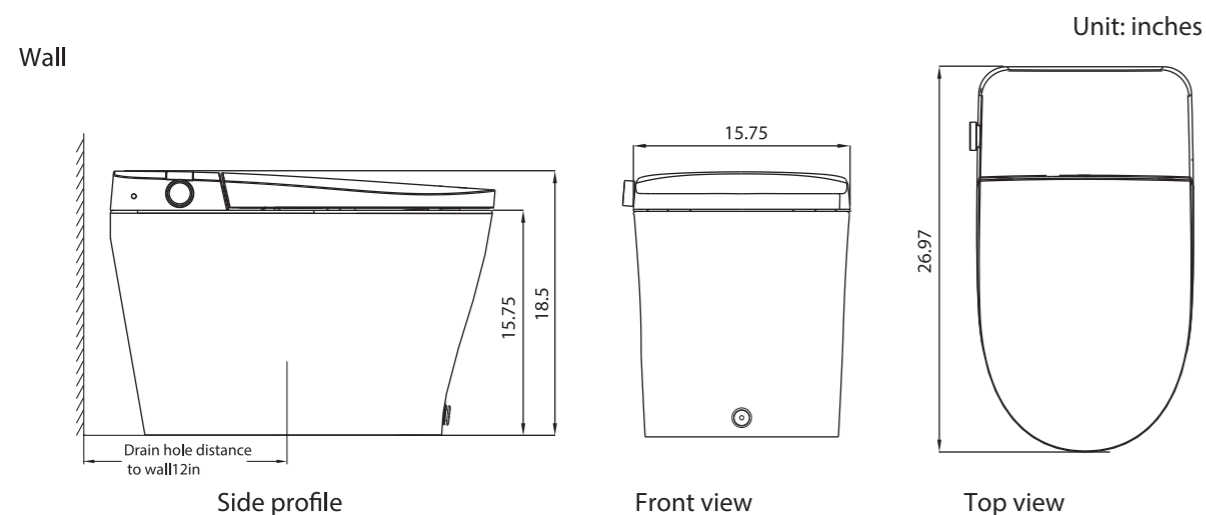
# Before you Install

Water pressure check, dimensional drawing

## Checking your water supply

● The lowest working water pressure is 0.08MPa, the highest water pressure is 0.75MPa, the toilet can not reach the best clean situation when the lowest water pressure can not reach 0.08MPa.

## Confirm dimensions of product with installation space

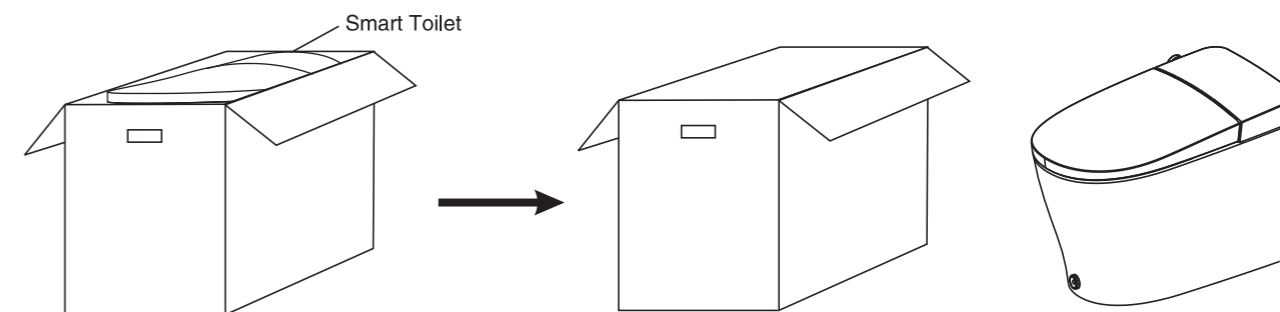


# Installing your product

Install your unit using the following steps

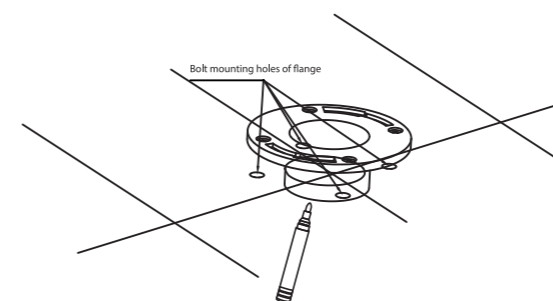
## 1 Open the box right side up

Remove the accessories first, then remove the unit from the top, as shown in the diagrams below.

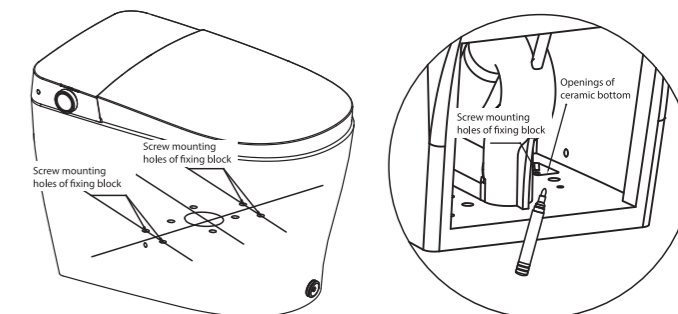


## 2 Mark your drainage hole with a cross

1. Align the flange with the drain hole, and mark the positions of the four mounting holes of the flange on the ground with a marking pen.

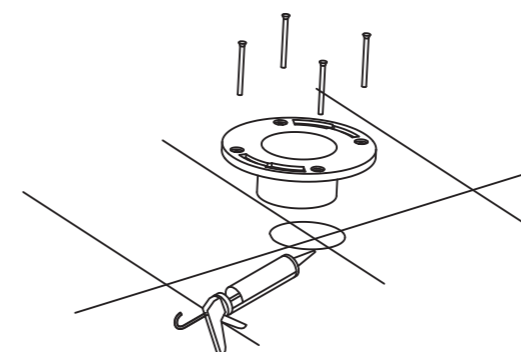


2. Place the toilet on the ground with aligning the ground drain hole, place two fixing blocks in the openings on the left and right sides of the toilet bottom, mark the screw mounting hole positions of the fixing block with a marking pen, and then remove the toilet.

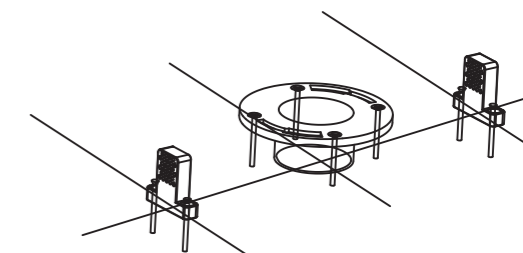


## 3

1. Put the flange on the drain hole, and fix it on the ground with four bolts. Then Seal the flange with glass glue.



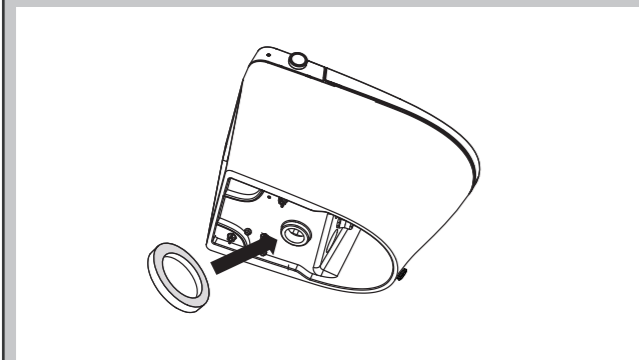
2. Place the fixing block on the installation position marked by the line drawing pen and fasten it with two bolts.



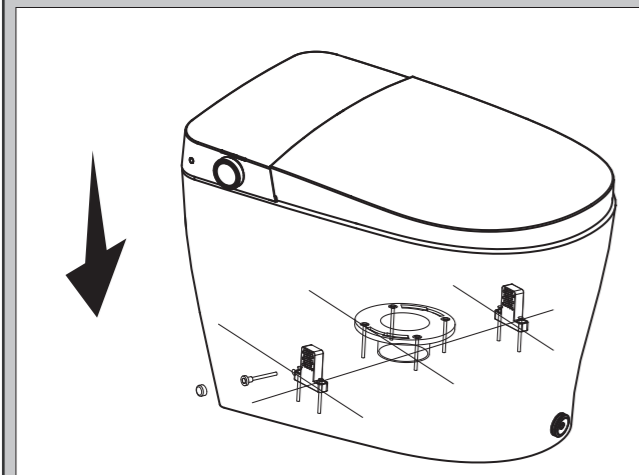


## 4 Install the ceramic body, water supply hose and water filter

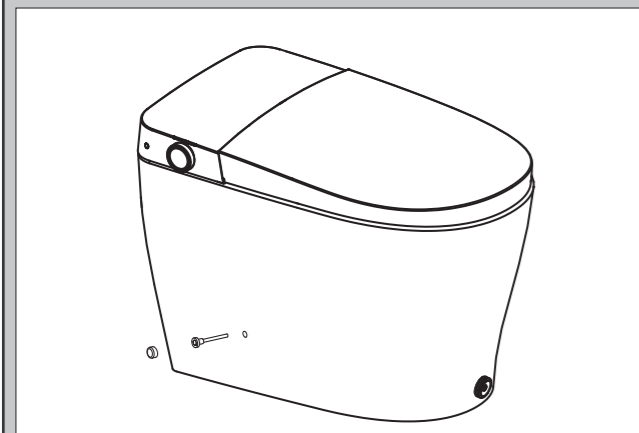
1. Place the wax ring on the drain hole at the bottom of the ceramic.



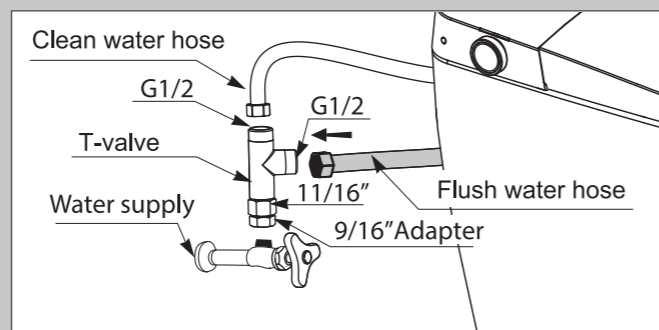
2. Align the ceramic drain with the drain hole on the ground, and press down to make the wax ring fully contact with the ground.



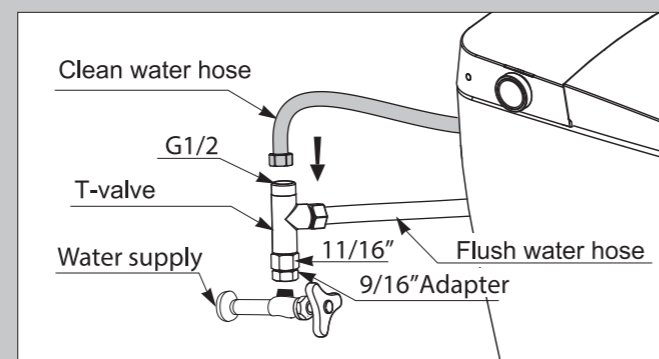
3. Fix the two sides of the ceramic with two bolts, and finally install the cap.



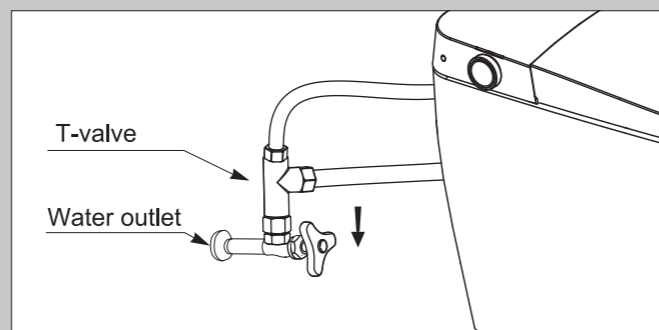
4. Attach the flush water hose to the T-valve and tighten.



5. Attach the clean water hose to the T-valve and tighten.



6. Connect the T-valve to the water supply and tighten. Use gasket to prevent water leakage. (Available in 9/16" and 11/16" connectors.)



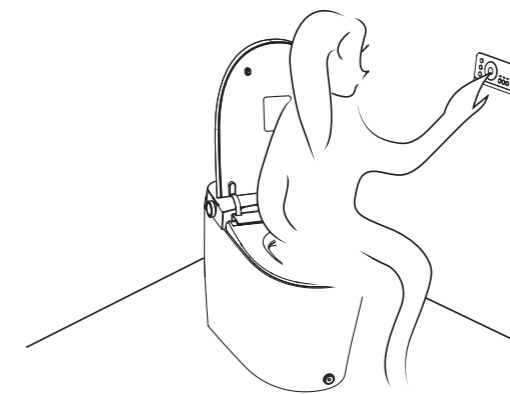
7. Finish installation.

## 5 Installing the remote

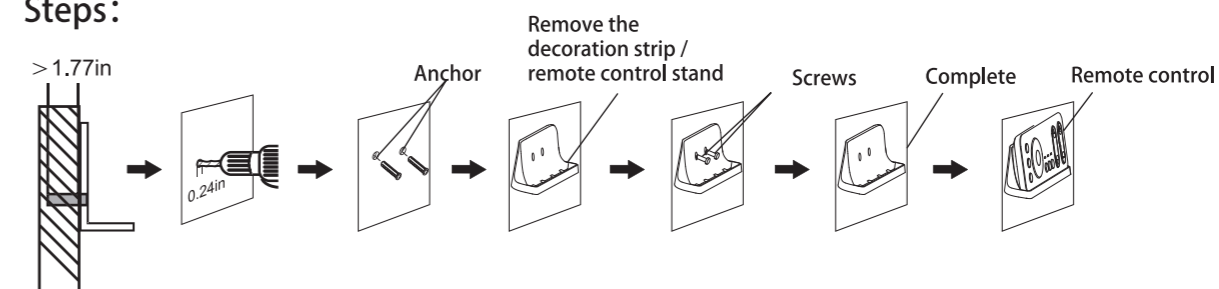
1. Drill two 6mm(0.24 inch) diameter holes on the wall (about 1.77 in deep)
2. Knock the anchors into the hole with a hammer.
3. Secure the holder with anchors.
4. Use the screws to secure the holder to the wall.
5. Remove the battery cover from the backside of the remote to install batteries
6. Once finished, remote is ready to be placed in its holder.

Detailed steps shown in the diagram below:

- ※ Please use proper mounting tools for special wall surfaces (such as wood, HDF, etc.)
- ※ The remote control holder should be installed away from the bidet's spray trajectory.
- ※ The remote control holder should be installed within reach when seated on unit.
- ※ Make sure there is nothing to block the transmission between the toilet and its remote.



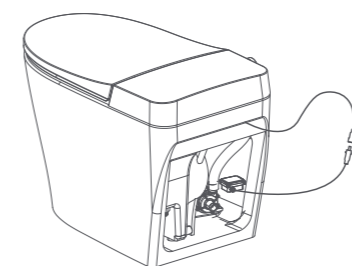
Steps:



## 6 Installing and replacing the battery box

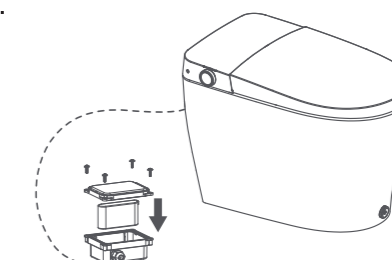
### Installing the battery box

1. Remove the extension cable from the back of the bowl (the cable is attached inside the back of the toilet. Tug it gently to let it free).
  2. Plug the cable into the battery box. Then, secure the water-proof nuts.
  3. Place the battery box in its proper position, shown below.
- ※ The batteries and cables are divided into positive and negative poles. Do not forcefully connect them. Doing so may damage the product.

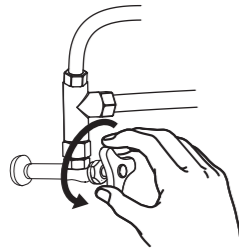


### Replacing the battery box

1. Loosen the battery box screws and remove the cover. Remove the battery and safely discard it.
  2. Load the new CR-P2 battery, and re-secure the screws.
  3. Place the battery box back into its place.
- ※ The battery should be kept out of children's reach.
  - Please ensure that the battery's polarity is correctly matched. Do not recharge, dismantle, burn or reuse old battery. Doing so may lead to chemical leaks or explosions.
  - ※ Battery box is water proof, please make sure all the screws are tightly secured to ensure that the box is perfectly sealed.



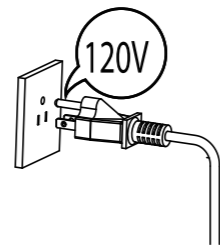
1. Open the water supply angle valve to maximum as shown in the figure.



2. Confirm various connecting parts are not water leaking.

※ In case of water leaking, unfasten the nuts again and install them again.

1. Connect to the grounding.  
2. Plug in AC 120V power plug.



3. Check to see if the power is on.

(1) Check to see if the power light is on. If not, push the reset button.

(2) Once the power light is on, the toilet will run its initial diagnostics: lights will turn on, cleaning nozzle will extend, the motor will begin to run and water will run through the system. Once the light is off, the self-diagnostic is complete.

(3) Press the side power button, confirm the toilet is power on.

## Testing the product (Checking the side panel buttons and remote control)

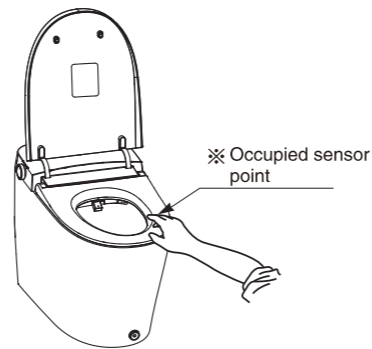
### ● Are all the functions working properly?

Posterior Wash, Front Wash (Including water pressure & nozzle position adjustment), Heated Dryer, Water & Seat temperature Adjustment, Nozzle cleaning, Anion Deodorization, remote control.

All functions listed above should be tested.

### ● Checking posterior wash

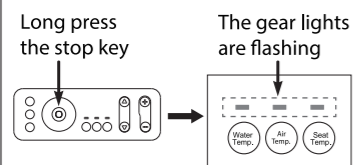
Place hand on sensor point (shown in illustration on right), press Posterior on the Side Control Panel or the wireless remote. Use hand to block nozzle spray.



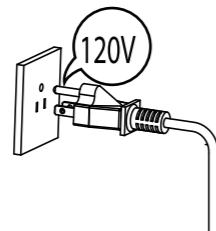
## Matching your remote control code

※ When the product leaves the factory, the remote control and the product are connected, if the remote control went failure, please re-connect the code as following methods.

1. Unplug the product's plug, press the stop key for few seconds until the level light is flickered.

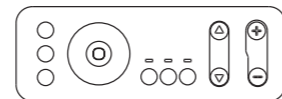


2. Plug the attaching plug when the remote control get closer to the product.



3. The level light stops flickering, and then it is lighted on.

All the level light (red) is lighted on



4. Codes are matched properly when all lights are on.

## 《Function Explanations》

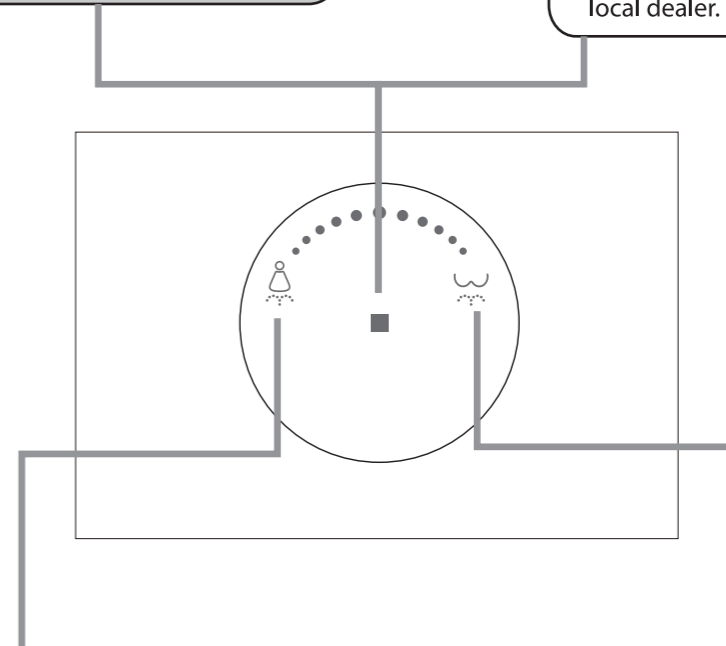
### ■ Power/Stop

Stand by: Press it for 3s to activate it.  
Activated: under the hip cleaning, female washing, drying mode, press it for short time to stop it, press and hold for 3s to shut down.

### ■ Blackout Flush

When the product is not powered-on, short press the middle button of the knob to enable the power-off flushing function.

※ If the above operation does not work, you need to replace the battery or contact us local dealer.



### ■ Front

Under no cleaning and drying mode, and seating the toilet.

“Rotated backward”, rotated it backward for 45° to enter into the front wash mode, which the mode is defaulted to cleaning moving. The cycle of operation: front wash 1.5mins + drying 4mins + flushing when drying for once.

When the function of front wash is activated, rotates the switch forward to increase the cleaning strength, switch backward to decrease the cleaning strength.  
Knob light color : pink

### ■ Rear

Under no cleaning and drying mode, and seating the toilet.

“Rotated forward”, rotated it forward for 45° to enter into the rear wash mode, which the mode is defaulted to cleaning moving. The cycle of operation: rear wash 1.5mins + drying 4mins + flushing when drying for once.

When the function of front wash is activated, rotates the switch forward to increase the cleaning strength, switch backward to decrease the cleaning strength.  
Knob light color : blue

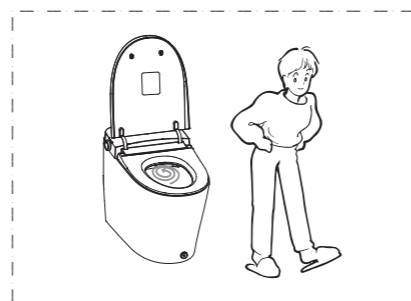
※ When starting up, short press the knob to send ceramic flushing command when there is no function.

Knob light color : lake blue

## ■ Auto flush

When the seat sensor no longer detects a user, it will automatically flush.

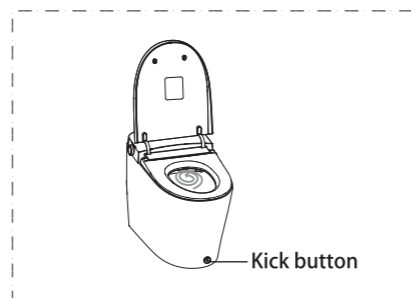
The toilet will only flush once.



## ■ Kick flush

Tap the "Kick flush" with your foot for easy, manual flushing.

During flushing, the function of "Posterior wash", "Front wash" cannot be used.

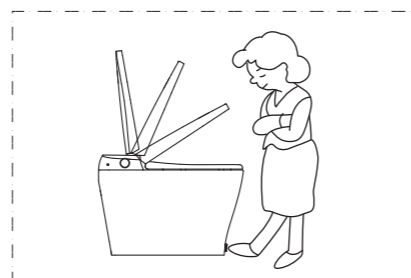


## ■ Kick controlled seat/lid

Tap the "Kick Button" with your foot to raise your toilet seat/lid.

Tap the kick button once: Lid opens  
Tap the kick button twice: Seat raises  
Tap the kick button three times: Seat and Lid will close and toilet will flush.

※ Posterior/front wash is not available during flushing.

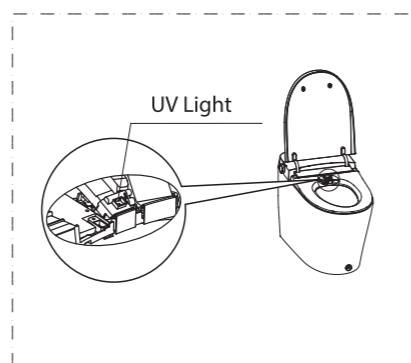


## ■ UV Sterilization

After leaving the seat, it will run automatically.

Operate it automatically when leaving seat. The cleaning spout will back to position, and the UV function will be activated after 10s, and it is working for 3min, the light of rotated switch becomes purple. After seating, the UV function will stop and the indicator will go out.

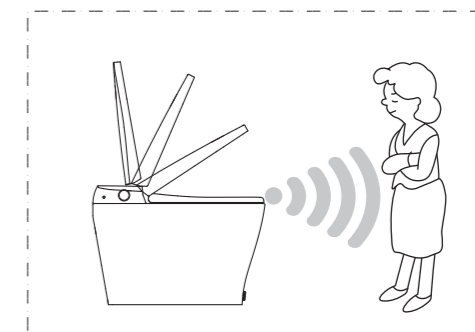
※ Ultraviolet lamp device is installed on smart toilet.



## ■ Microwave induction

Get close to the product about 1 meter.

The toilet seat will open automatically.



※ When it is turned on and off the seat, press the "Nozzle Clean + H/C Massage" button on the remote control at the same time for 3 seconds. When you hear a "dong,dong" sound, turn off the microwave induction function; when you hear a "dong" sound, turn on the microwave induction function.

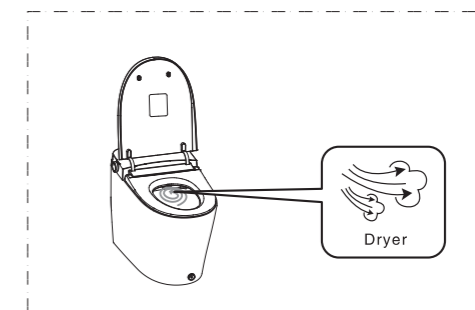
※ This function is limited to some models, please refer to the product function table for details.

※ If the product can not detect the presence of human body for a period of time, it will automatically close the circle and cover.

## ■ Dryer flush

The human body leaves the seat sensing area.

When the human body is seated, the seat will automatically flush once.



## ■ User-friendly Design

- Slow-closing lid/seat  
Preserve your toilet's life and allows you to close the lid/seat silently.
- Water purification  
Equipped with dedicated filter to ensure your bidet will only spray clean, filtered water.
- 8 Layers of safety  
8 different built-in safety features to protect the user and product.
- Memory mode  
After power failure, water temp, water pressure, seat temp, and wand position are all restored to mid-range after power failure. Night light is turned on by default after power failure. On / off, keep the last memorized setting state.

## ■ Light of rotated switch

	State	Colour
Rotated switch light	No functions operating, no seating	White
	No functions operating, seating	Green
	Hip cleaning activates	Blue
	Female washing activates	Pink
	Flushing mode	Aqua blue
	Dry mode	Yellow
	UV	Purple

# Maintenance

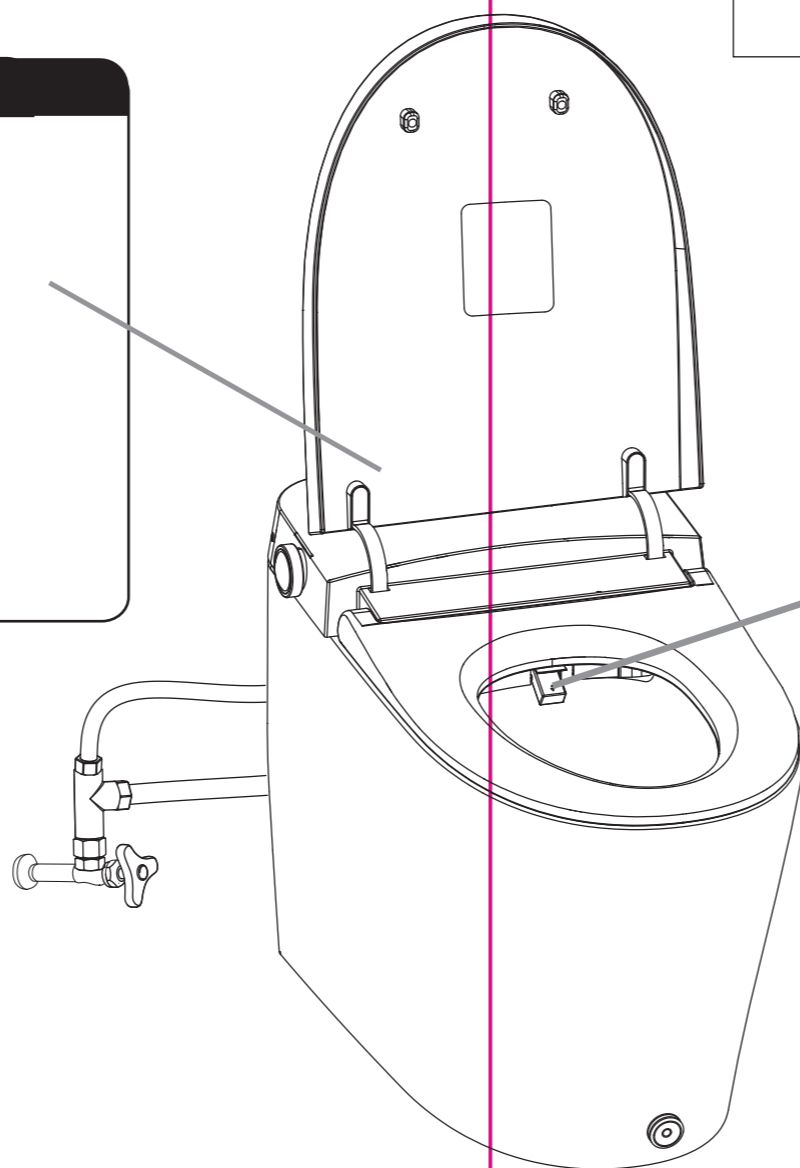
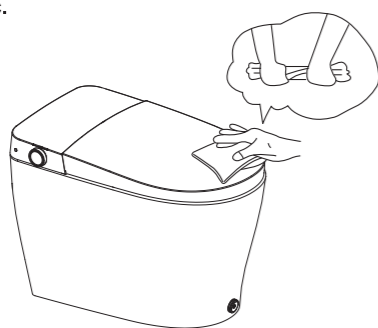
Regular maintenance is required to ensure normal use

## Note

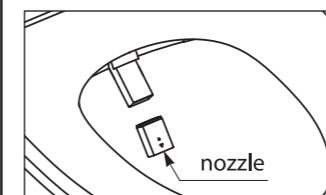
- Cut off the power and water supply before maintenance.
- Direct water wash to the entire product is prohibited.

### Maintenance of product surface and ceramics

- Wipe dust or stains with a soft wet cloth
- A wet soft brush, cloth or sponge may be used to clean the ceramic area
- ※ Do not use abrasive cleaning solutions, such as alcohol, bleach, paint thinner, cresol, benzene, gasoline, etc.



### Maintenance of the nozzle



Press the "Nozzle Clean" button on the remote control without occupying the seat. The nozzle will extend. Proceed to clean with a soft toothbrush.

**Do not forcefully hold the nozzle, otherwise it may break.**

Please change the spout if it blocked.

## WARNING

Do not spray water or detergents on the toilet, remote control or the power cord. Doing so may cause electric shock or fire.



## Maintenance during Winter Season

During winter season, the water inside may freeze after long periods of storage and non-usage. Please take measures to prevent.

## Note

- Before connecting the product to the water supply and electrical outlet, allow it to defrost for 30 mins in a warm indoor environment.
- In cases of extreme cold/freezing/nozzle stuck in place, wrap the water input line with a warm towel. Never pour hot water or use a hot dryer directly on the toilet.



# Troubleshooting

## Experiencing issues with your product?

If the user should run into any issues, please consult the troubleshooting guide below. If problem persists, please contact a professional.

### Power button

Phenomenon	Fault Diagnoses	Solutions
Not working	Check whether the attaching plug is loose or not	Please check the circuit
	Check whether the power is switching on or off (the power light is not on)	Press rotated switch for 3s, the power light is on.
	Check whether there is any electric leakage or not (the light of leakage protection plug is not on)	Unplug the attaching plug from the socket, plug it again later. Press the reset switch of the leakage protection plug, if it is still not working, please unplug the attaching plug and contact with local distributor to repair.

### Wash functions

Phenomenon	Fault Diagnoses	Solutions
No water from the spout	Check whether or not the water supply cuts off	Wait for the water supply restoring
	Check whether or not the angle valve switches off	Open the angle valve
	Check whether or not the water filter is blocked	Clean the filter mesh or change the water filter
	Check whether or not the inlet pipe is flexed	The inlet pipe must be straight
The intensity of cleaning is not strong enough	Check whether or not the water pressure of cleaning switch to low level or not	Regulate the water pressure according to the instruction manual
	Check whether or not the inlet filter is blocked	Clean the filter mesh or change the water filter
Unusual water flow from the spout	Abnormal operation	Unplug the attaching plug for one minute and then plug it again
The water temp is not warm enough	Check whether or not the water supply switches to low level	Regulate the water temp according to the instruction manual
The cleanser is always leaking	Solenoid valve no longer has any effect	Please contact with our qualified maintenance personnel for repairing
The cleaning function is not working normally	The human induction system of the toilet seat no longer has any effect	Please contact with our qualified maintenance personnel for repairing

### Dryer

Phenomenon	Fault Diagnoses	Solutions
The dryer blows cold air	Check whether or not the dryer switches off	Regulate the temperature of dryer according to the instruction manual
	Check whether or not the heating element of dryer is damaged	Please contact with our qualified maintenance personnel for repairing

### Heated seat

Phenomenon	Fault Diagnoses	Solutions
The seat temp is too low or is not hot	Check whether or not the temp of toilet seat is on the "off" position	Regulate the temperature of toilet seat according to the instruction manual

### Remote Control

Phenomenon	Fault Diagnoses	Solutions
The blue light of water temp is flickered	Low battery	Please replace a new battery
Remote control is not working	Check whether or not there is any water on the remote control	Wipe off water by dry towel

### Toilet Unit

Phenomenon	Fault Diagnoses	Solutions
The product is not flushed clean	No power supply	Power restoration
	No water from the spout	Please contact with our qualified maintenance personnel for repairing
	No water but have the sound of flushing	1. Check whether or not the pipeline is blended or not, please keep the water supply pipeline open and smooth 2. Check there is any damage of water pump
	have water all the time	Please contact with our qualified maintenance personnel for repair if there is any unusual from the water inlet valve.

### Soft-Closing Feature

Phenomenon	Fault Diagnoses	Solutions
The function of flipping the seat cover/ring up by foot touch cannot open or close	Auto-damping is damaged	1. Recharge after unplug the attaching plug 2. Please contact with our qualified personnel if the following solution is not working.



# Specifications

Power rating		120V~
Frequency		60Hz
Rated power input		1050W(When inlet water temp in 15°C)
Seat and dryer temperature range		39.4 °F~104 °F
Source water temperature range		39.4 °F~95 °F
Water supply type		DN15(G1/2")
Water Inlet	Minimum pressure	0.08MPa, and also make sure the water flow is above 2.3L/10s
	Maximum pressure	0.75MPa(in a static condition)
Toilet	Flush type	Tornado flush
	Rough-in	rough-in 12in
Flushing	Way for heating	Transient heating
	Temp pf warm water	Off/about 93.2°F ~102.2°F (4 levels)
	Safety devices	Thermostat series, thermal fuse, flow detection device
Warm wind	Warm wind temp	Off/about 95 °F ~131°F (4 levels)
	Wind speed	Above 4m/s (3 levels regulations)
	Safety devices	Bimetal thermostat series, thermal fuse
Seat ring	Seat ring temp	Off/about 93.2 °F ~104°F (4 levels)
	Safety devices	Thermal fuse
Remote control	Dimension	7.48in(L) * 2.01in(W) * 0.87in(H)
	Battery	Two AAA Batteries
Power cable length		Appx. 59in
Product dimension		26.93in(L) * 15.86in(W) * 20.67in(H)