

**HOROW®**

One-Piece Toilet  
**INSTALLATION INSTRUCTIONS**

# One-Piece Toilet INSTALLATION INSTRUCTIONS

**HOROW®**



**READ ALL INSTRUCTIONS BEFORE UNPACKING THE PRODUCT**

INSTRUCTIONS THAT, IF IGNORED COULD RESULT IN DEATH OR SERIOUS INJURY CAUSED BY INCORRECT HANDLING OR INSTALLATION OF THE PRODUCT. THESE INSTRUCTIONS MUST BE OBSERVED FOR SAFE INSTALLATION.

**CAUTION!**



**TWO PERSON  
LIFT REQUIRED**

2 PEOPLE ARE REQUIRED TO LIFT AND DURING ENTIRE INSTALLATION OF THIS PRODUCT



INSTALLATION OF THIS PRODUCTS BY AN INEXPERIENCED INSTALLER MAY RESULT PERSONAL INJURY OR DEATH!



We reserves the right to change, update, modify, alter, redesign this manual/product or its policies without prior notice! It is your responsibility to visit website to download or contact customer service for the most updated version of the installation instructions.

We shall not be liable for any injuries or property damages in connection with this product during installation or use of this product!

This products must be installed by a fully insured and licensed plumber only. Installation of any our product by anyone other than fully insured and licensed plumber shall void limited warranty. We recommends that such licensed plumber have experience in the installation of products.

Limited warranty is void on any commercial installation.

We are not responsible for local code compliance for this product. Building and plumbing codes may vary from state-to-state in accordance to your location. We are not responsible for providing any compliance certifications.

We are not responsible to provide any type of certifications for this product.

Under no circumstances we are shall not be liable for any and all incidental damages sustained in connection with this product Neither manufacture, nor distributor, nor retailer is responsible for water damage or flood caused due to use of this product.

Under no circumstances we shall not be liable for any and all fees, cost of installation/reinstallation/removal, subsequent damage or transportation in case of the product defect.

If you have any questions or concerns please contact us:  
[info@horowbath.com](mailto:info@horowbath.com)

# One-Piece Toilet INSTALLATION INSTRUCTIONS

**HOROW®**



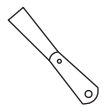
## PRIOR TO INSTALLATION:

- Inspect toilet to ensure no damages have occurred while in shipping.
- Observe all plumbing and building codes in accordance with your state and local requirements.
- All dimensions are nominal! Be sure to measure your toilet prior to installation.
- The step-by-step guidelines in the installation instructions are a general reference. Should there be any discrepancies, HOROW cannot be held liable. It is recommended to install all HOROW products by hiring a licensed professional.
- Read installation and maintenance instructions thoroughly before installing. Be sure to use proper tools and always wear proper personal safety accessories for your protection.
- Two people are recommended to handle and install this product as it is fragile.

## SUGGESTED TOOLS & MATERIALS:



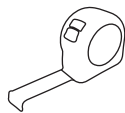
Safety Glasses



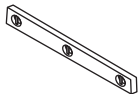
Putty Knife



Wrench



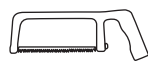
Tape Measure



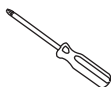
Level



Flexible Supply Tube



Hacksaw

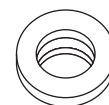


Screwdriver

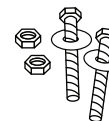
## INCLUDED PARTS:



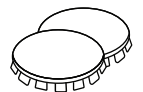
One-Piece Toilet



Wax Ring/  
Gasket



Bolts



Cover Caps

# One-Piece Toilet INSTALLATION INSTRUCTIONS

**HOROW®**

## INSTALLATION INSTRUCTIONS

**IMPORTANT! Shut off main water supply prior to installation!**

### REMOVE OLD TOILET

1. Shut off water supply line. If you do not have shut-off valve near the toilet shut off main water supply line.
2. Flush the old toilet and make sure that tank is empty.
3. Disconnect and remove water supply line connected to the toilet's tank.
4. Remove old toilet, bolts, nuts from the closet flange.
5. Clean closet flange area from old wax ring and putty sealant using putty knife from the base area.
6. Clean any remaining debris and wipe any water at the installation area
7. Temporarily plug flange on a floor with a flange plug or towel to prevent gasses from escaping

**IMPORTANT!** The mounting surface area must be clean, dry, and leveled prior to installation of the new toilet!

**NOTE! Inspect the existing closet flange for damages.** If damaged, replace it to new flange before proceeding to the installation

### PREPARE CLOSET FLANGE

Make sure that rough-in is 12" by measuring the distance from the wall to the center of the closet flange. See Figure 1

Insert floor bolts into flange channel with bolt head down, use plastic retaining washers to hold the bolts in full-length. Floor bolts should be parallel to wall and 6" apart. See Figure 2

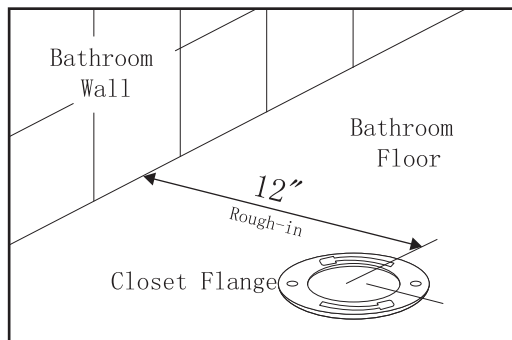


Figure 1

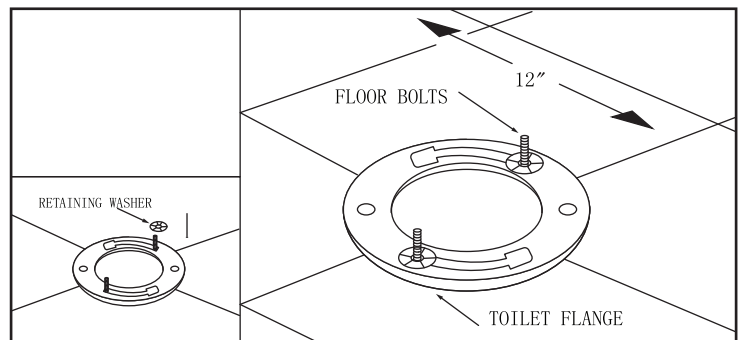


Figure 2



# One-Piece Toilet

## INSTALLATION INSTRUCTIONS

**HOROW**

### 1. Turn Off Water Supply

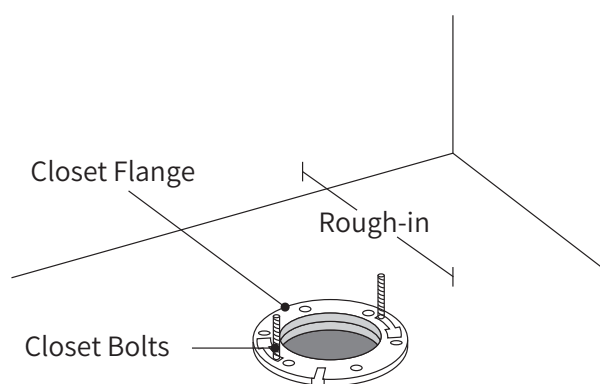
- Close toilet supply valve and flush tank completely, use towel to remove excess water.
- Disconnect and remove supply line, if you are replacing the valve shut main water supply first.
- Remove closet bolts from flange and clean wax and putty from base area.

### 2. Rough-In the Toilet

- Measure the wall from behind the toilet to the middle of the closet bolt. Your rough-in measurement should be around 12" .

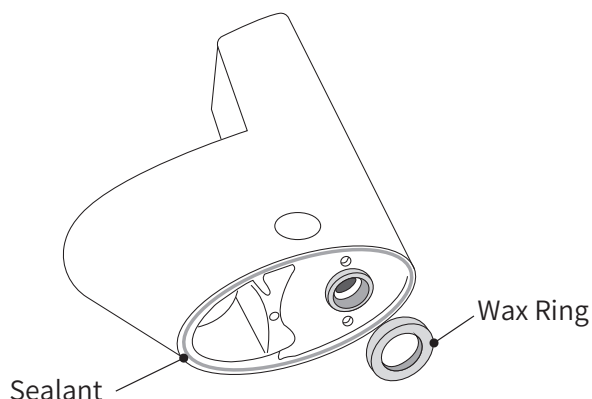
### 3. Install Closet Bolts

- Install closet bolts to flange channel, turn 90° and slide into place 6" (152mm) apart and parallel to wall.



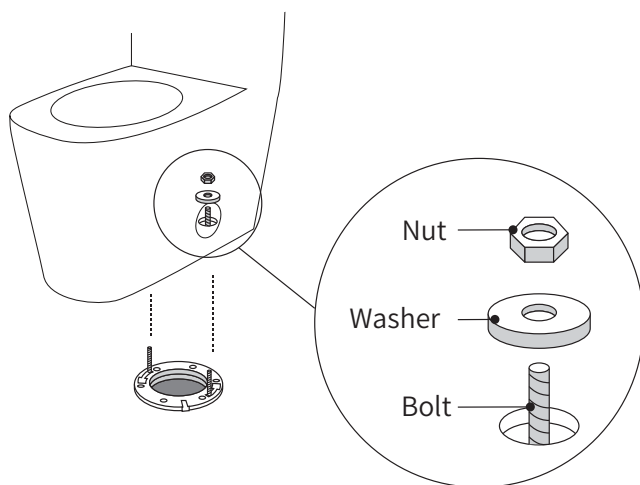
### 4. Install Wax Seal

- Invert toilet on floor (use cushion to prevent damage), and install wax ring evenly around waste flange with tapered end of ring facing toilet. Apply a thin bead of sealant around toilet base.



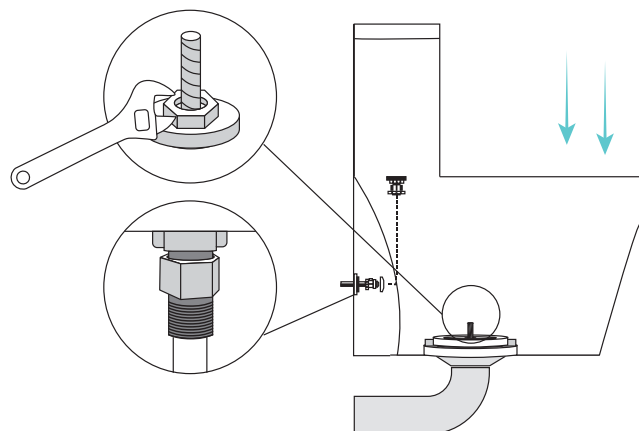
### 5. Position Toilet on Flange

- Unplug floor waste opening and install toilet on closet flange so bolts project through the mounting holes.
- Loosely install retainer washers and nuts.



### 6. Install Toilet

- Position toilet square to wall and, with a rocking motion, press bowl down fully on wax ring and flange. Alternately tighten nuts until toilet is firmly sealed to floor. Do not over-tighten nuts, it might crack ceramic.
- Smooth off the bead of sealant around the base. Remove excess sealant.
- Place cover caps to hide installation holes on toilet.
- Connect water supply and check for leaks.



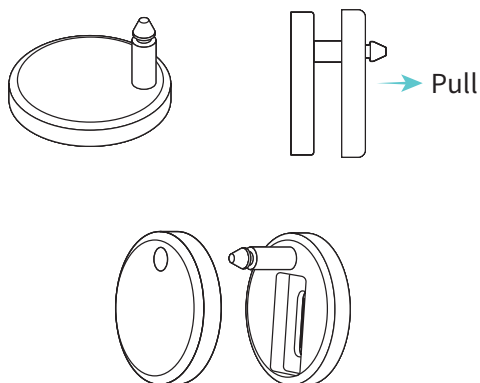
# One-Piece Toilet INSTALLATION INSTRUCTIONS

**HOROW**

## TOILET SEAT INSTALLATION

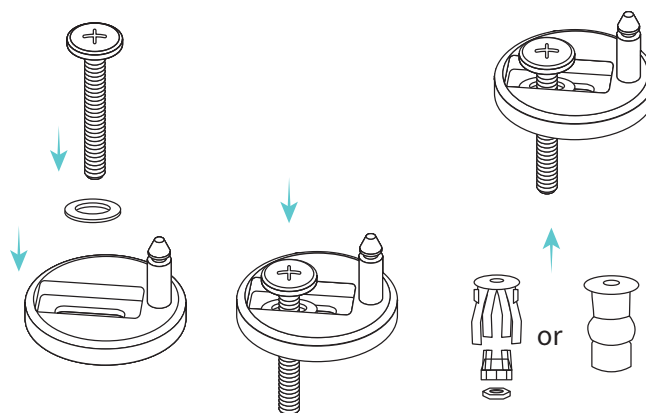
### 1. Dissassemble

- Disassemble the cover cap and the hinge.



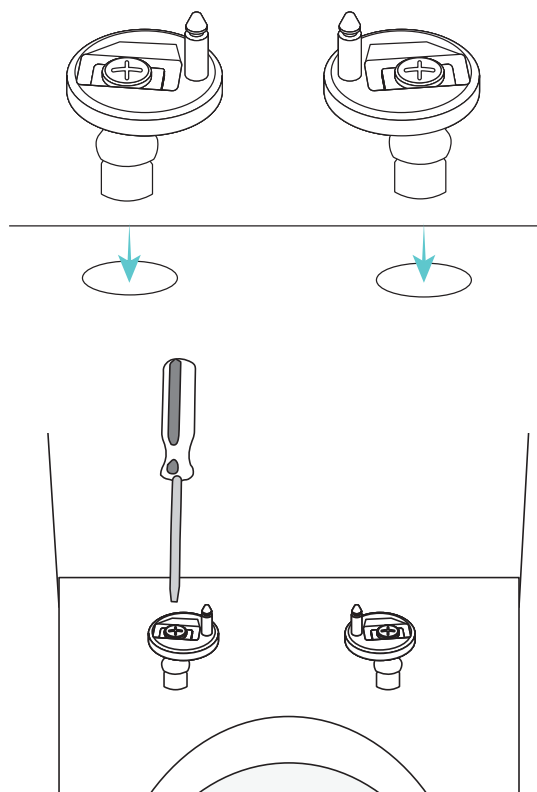
### 2. Construct Hinges

- Insert screw and nut into the hole on the hinge.
- Attach blind hole screw fixing to the bottom of screw.



### 3. Attach Hinges

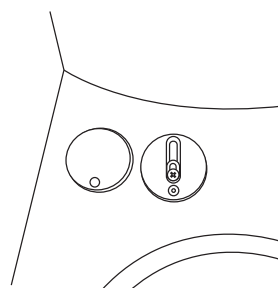
- Insert hinges with blind hole screw fixings attached into holes on toilet bowl.
- Lightly tighten hinges with a screwdriver too allow for later adjustment.



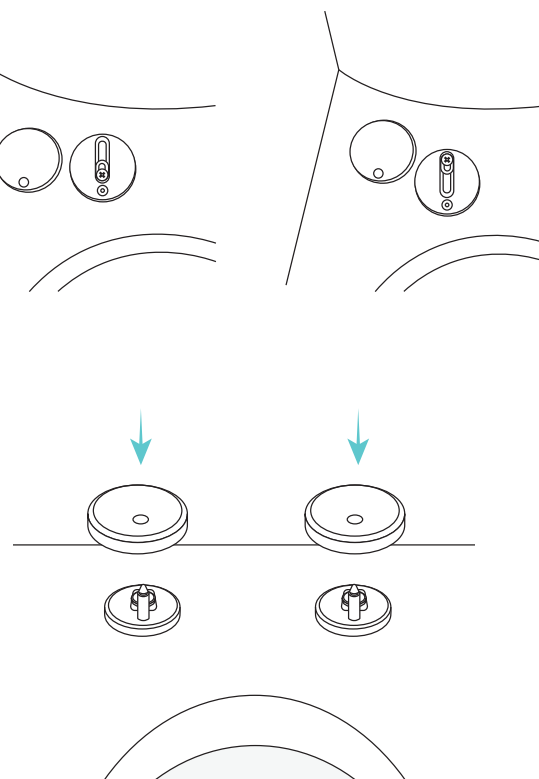
### 4. Adjust and Cover Hinges

- Be sure the hinge is all the way forward for proper seat fitting.
- Place the covers onto the hinges.

Incorrect:



Correct:



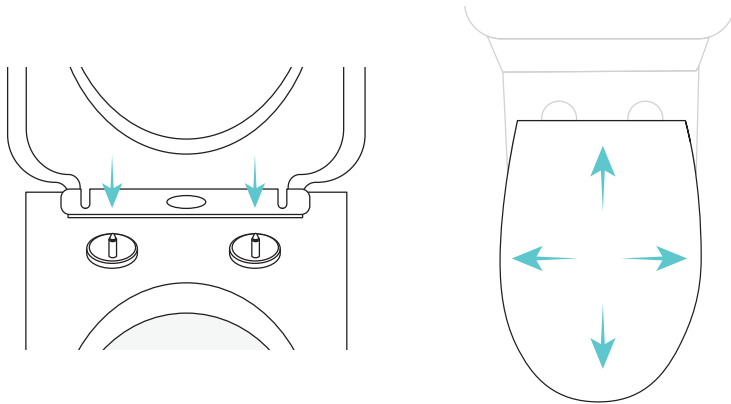
# One-Piece Toilet

## INSTALLATION INSTRUCTIONS

**HOROW.**

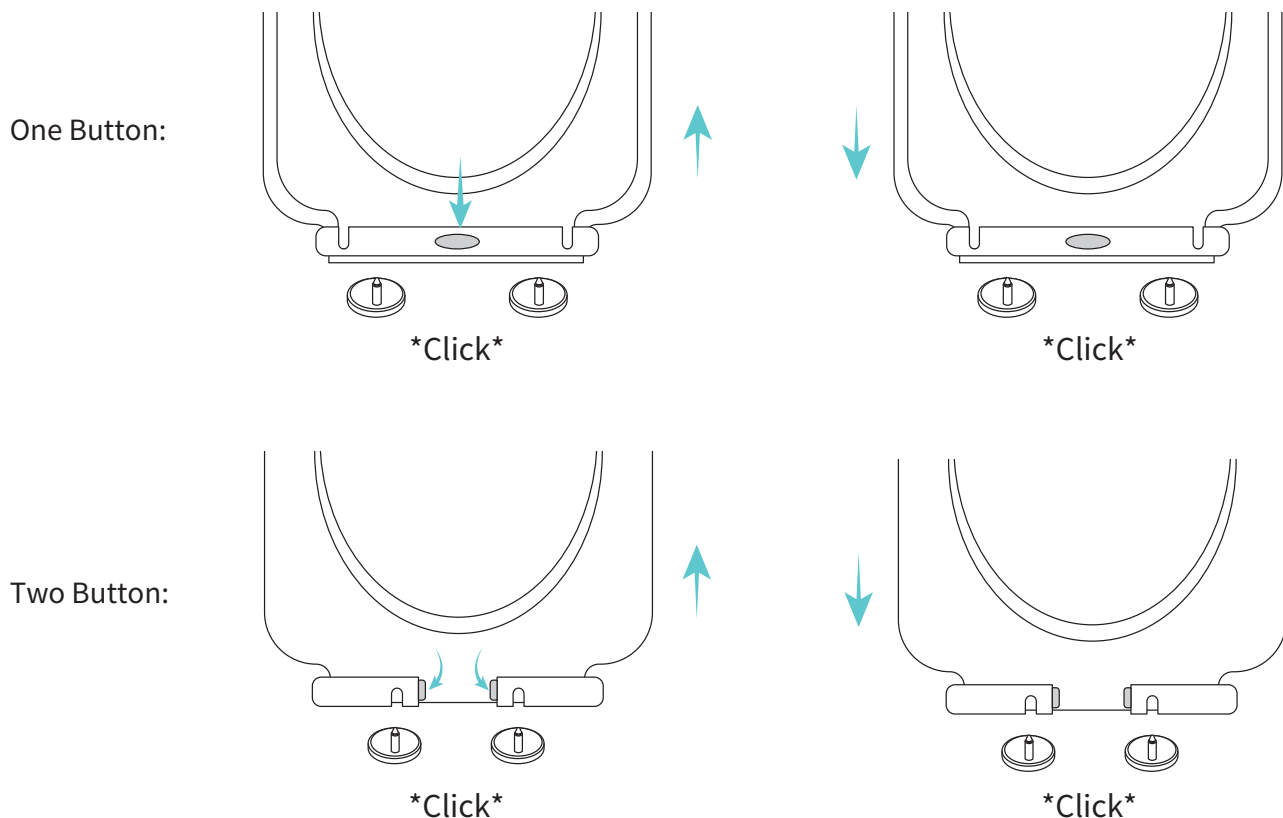
### 5. Adjust and Attach Seat

- Align seat to the hinges then firmly tighten the hinges.
- Attach seat to the secure hinges.
- Adjust seat to align to the bowl.



### TOILET SEAT USAGE

- To remove, push middle button until you hear a “click”, then pull straight up.
- To re-install, align hinge posts with reference marks on seat, then push down until you hear a "click".

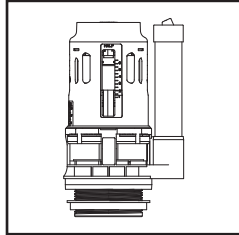


# One-Piece Toilet INSTALLATION INSTRUCTIONS

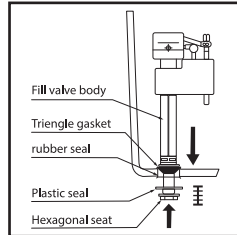
**HOROW.**

Important Note: Flush GPF amount is factory set. No additional adjustment is required. This page is for reference only. All adjustments are already made by manufacturer.

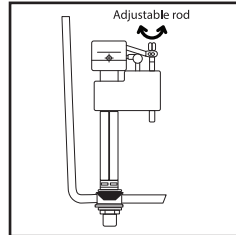
## 1. WATER LEVEL ADJUSTMENT



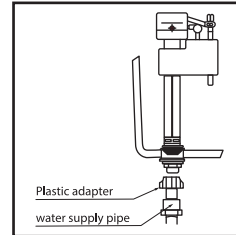
Check the dual flush valve and make sure that it does not have any damaged or missing parts



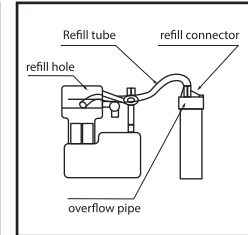
Install the base with the rubber gasket in the tank, turn the screw as illustrated to make sure there is no water leakage and no looseness



Water level adjustment: Rotating adjustable rod can adjust the height of float cup and get different water level.

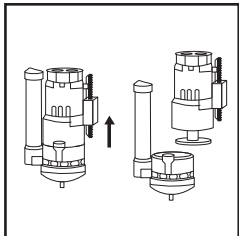


Install water supply pipe, and decide if you should install plastic adapter.

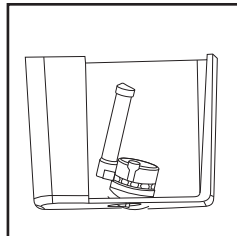


Attach one tip of refill tube to refill hole of the fill valve, and the other tip to the refill connector on the top of overflow pipe.

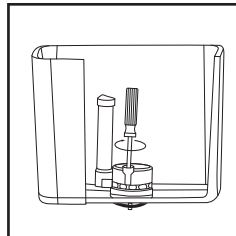
## 2. BASE INSTALLATION



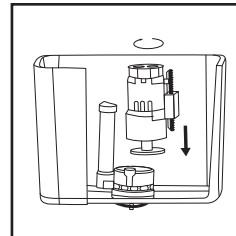
Take off valve body



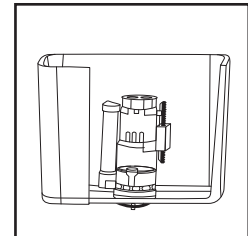
Put the end of the steel hook into the hole, then the other end of the hook.



Tighten with a screwdriver to avoid looseness and leakage of the valve.

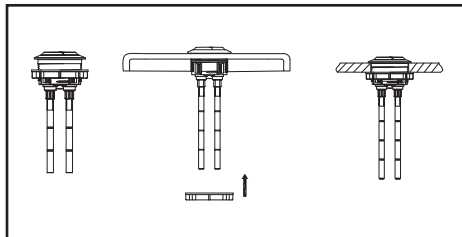


Install Valve body.

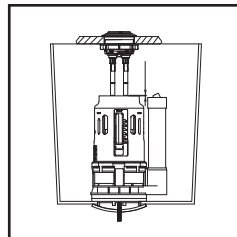


Make sure the base is installed correctly.

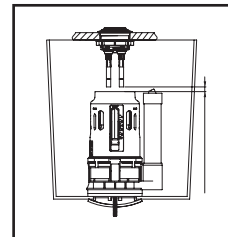
## 3. PUSH BUTTON ADJUSTMENT



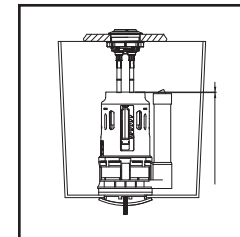
Check the completeness of the product before adjustment. Take out the lock nut and insert the push button into the tank cover. Adjust the push button and lock the nut to make it well-fixed in the tank.



The distance between the rod tail and valve push button must be 1-2mm

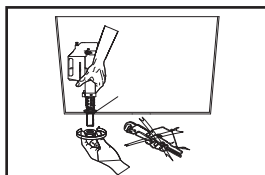


If the rod is too short, please re-adjust it (outward rotation).

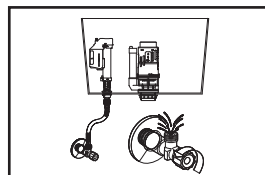


If the rod is too long please cut-off the extra length and re-adjust it.

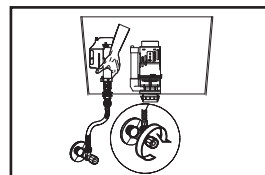
## 5. FILL VALVE INSTALLATION



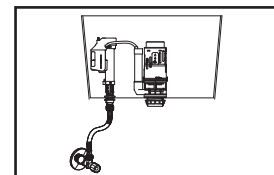
Install the valve into tank. Do not use any wrench tools. Fasten with hand only.



Connect water supply to the fill valve. Turn on water.



Turn off water supply valve before height adjustment of the toilet's fill valve.



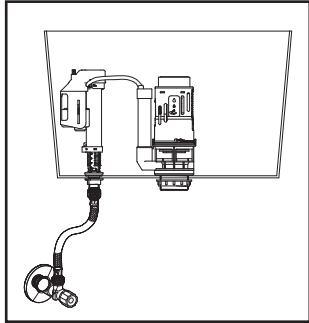
Put the refill tube into the white cap hole firmly.

# One-Piece Toilet INSTALLATION INSTRUCTIONS

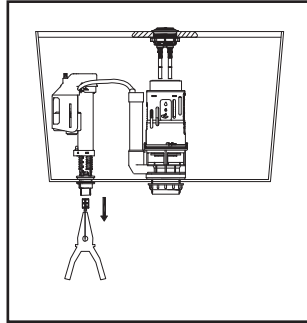
**HOROW.**

## CLEANING & TROUBLESHOOTING (FILL VALVE)

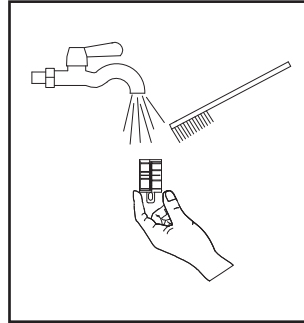
### FILL VALVE CLEANING



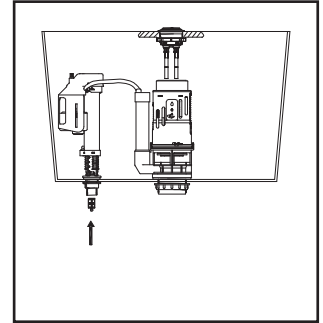
Shut off water supply line before filter cleaning.



Carefully, take out the filter from inlet by using pliers.



Use water to wash and clean the filter and adapter from any debris.



Re-install the filter and re-connect the water supply line.

### TROUBLESHOOTING

Issue	Cause	Solution	Solution #4
Water level is too high or too low	Improper water level adjustment	Adjust the water level	
Fill valve fails to shut off or fails to fill the water into the toilet's tank	<ol style="list-style-type: none"> <li>Inlet valve switch is turned on.</li> <li>Inlet valve float crashed against ceramic wall</li> <li>Filter screen is clogged due to dirty water</li> <li>Improper refill hose installation</li> </ol>	<ol style="list-style-type: none"> <li>Turn on inlet valve switch</li> <li>Adjust inlet valve position</li> <li>Clean the filter screen</li> <li>Install refill hose correctly (see diagram on the right)</li> </ol>	

### MAINTENANCE & CARE

Use soft sponges or soft-cloths to clean the surface. Always rinse thoroughly any cleaning solutions immediately after cleaning. Do not any chemical remain on the surface for extended periods of time.

#### IMPORTANT!

DO NOT USE: Abrasive cleaners such as: acid, ammonia, bleach, and similar solutions. Use of such solutions may cause corrosion, finish peeling, and/or dull the surface.

DO NOT USE: Abrasive sponges or cloth. Never use steel, wool, or wired brushes that will permanently scratch the surface.

### FILL/FLUSH VALVES MAINTENANCE & CARE

Do not pour any amounts of chlorine or any other chemicals into the tank. Use of chemical products will result in damage to the fill valve and flush valve components and may cause flood and property damage

Note: fill and flush valves are maintenance free. No maintenance is required.

Retain these installation instructions for future reference!