

HOROW®

INSTALLATION MANUAL

Handmade Stainless Steel Drop In Kitchen Sink

www.horowbath.com Toll Free: 1 571-723-0338

Drop In Kitchen Sink

- ★ Premium grade handmade sink
- ★ 18 gauge Stainless Steel T304
- ★ R10 rounded corners, help to clean dirt
- ★ Excellent sound insulation and heat insulation performance

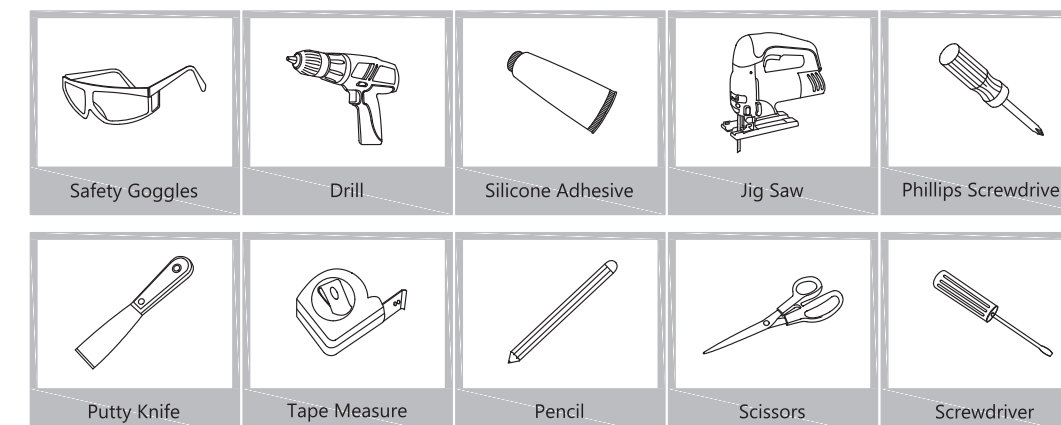
In Accordance with Industry Codes & Standards for USA & Canada
All HOROW Stainless Kitchen Sinks are Certified & Listed By cUPC.

CAUTION

Considering its weight and sharp edges, the sink should be taken out slowly and carefully. Please wear safety gloves and protective equipment to protect your eyes and ears when disassembling. We recommend two or more people lift or install the sink. Please do not attempt to handle or install this product alone.

IMPORTANT: HOROW strongly recommends that this product be installed by a licensed plumber. Ensure that installation complies with applicable plumbing and building codes.

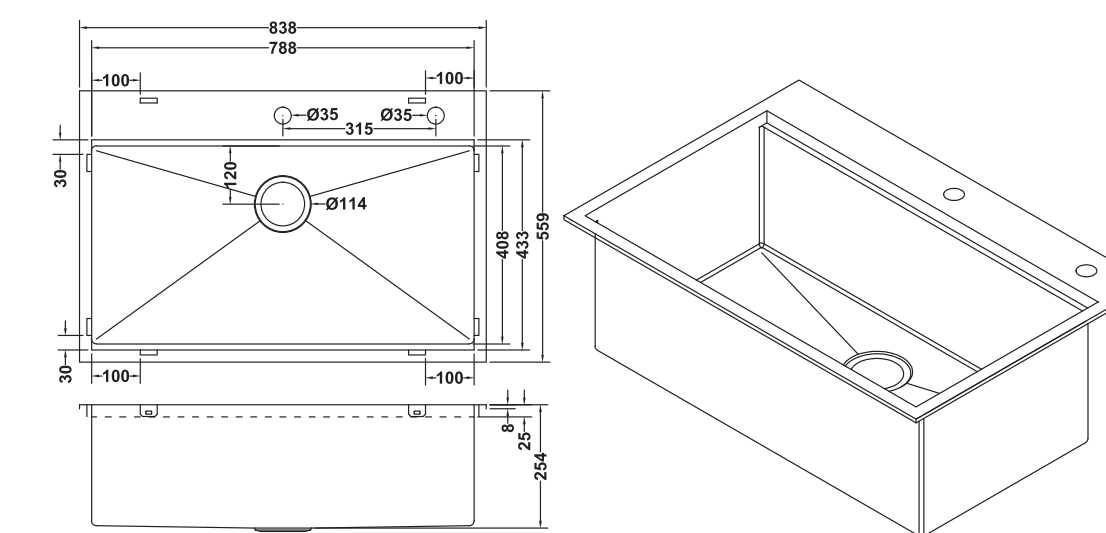
Tools you will need:



NOTE: Specialized tools may be necessary to install Horow Stainless Steel Kitchen sinks with countertop materials other than wood, marble or granite.

2

Dimensions:



33" x 22" x 10"

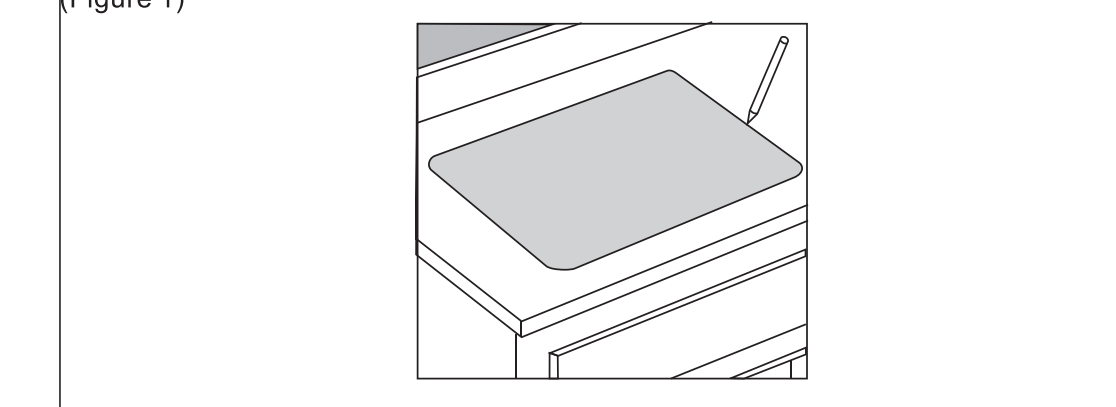
Step 1: Measure the cut-out size of sink

Check the bottom side of the sink, to measure and make sure the correct cutout size of actual sink

Step 2: Position the cut-out on the countertop

Trace the cut out line on the countertop with a pencil

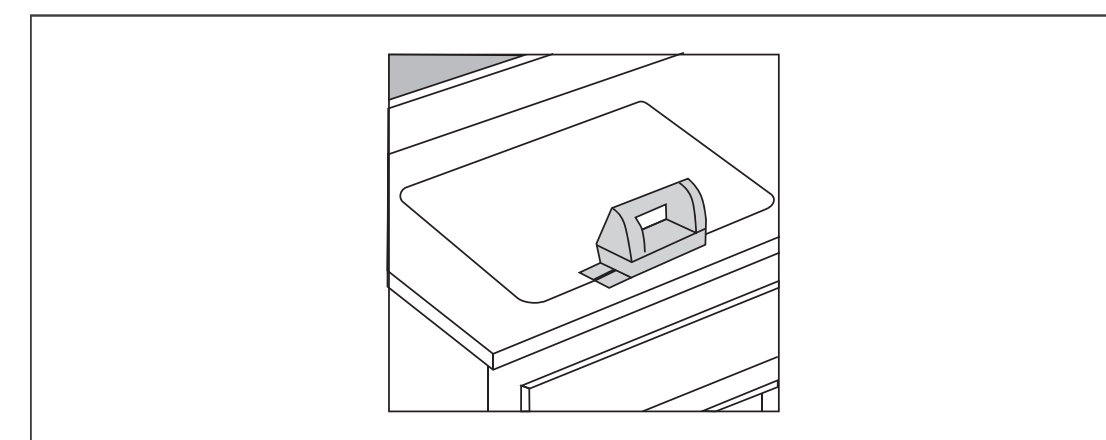
(Figure 1)



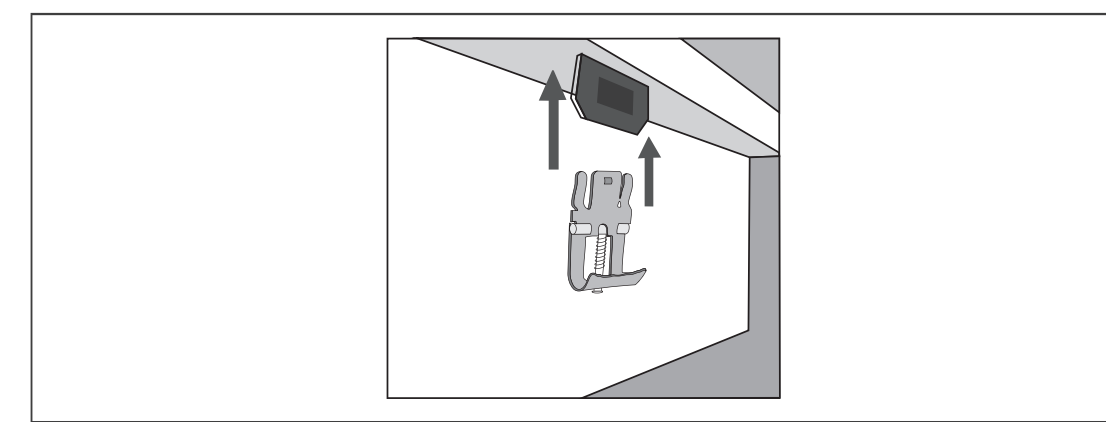
3

Step 3: Cut the Countertop

Carefully cut the opening in the countertop following the tracing line (Note: use the saw suitable for cutting the material of your countertop).



Step 4: Attach the mounting clips to the protruding prongs below the sink edge. Make sure the hooked side of the mounting clip is facing away from the sink.



Step 5: Apply Silicone or Plumber's Putty

Clean and dry the rim surface of the sink; turn the sink upside down and apply the sealant (not included) underneath the sink rim.

4

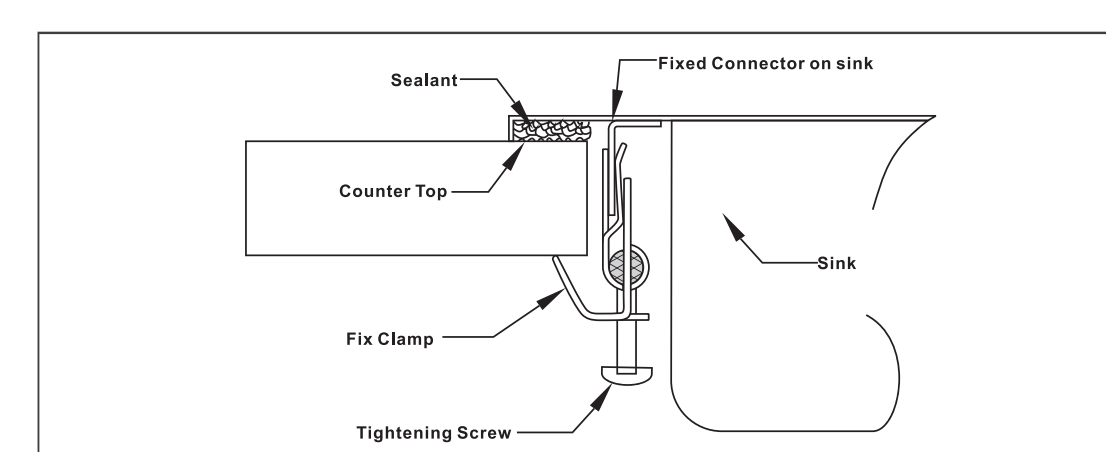
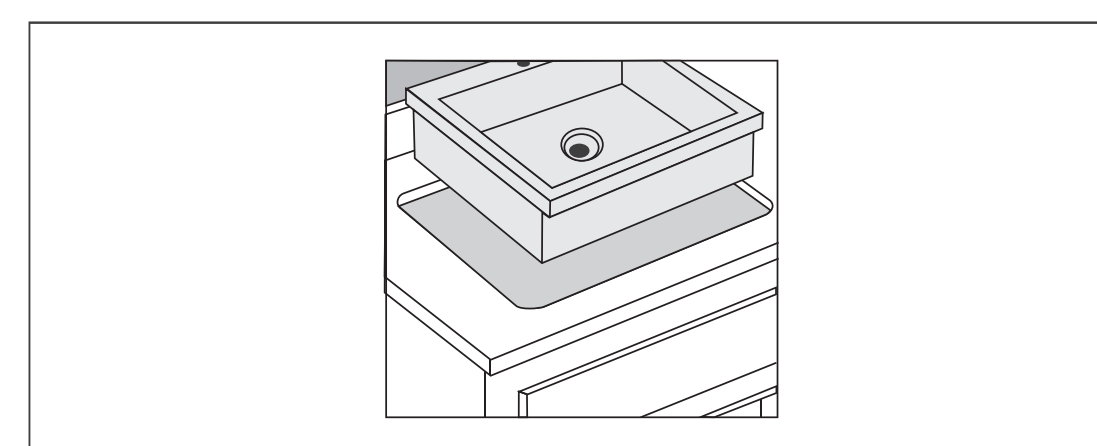
Step 6: Secure Sink to Countertop

Insert the sink into the opening, confirm that the sink fits the countertop opening, and press firmly (Figure 4).

Tighten the screws in the front of the sink, followed by the ones in the back and on the sides of the sink (Figure 5)

Remove excess silicone-based adhesive

Allow the sealant to set for 30-60 minutes.

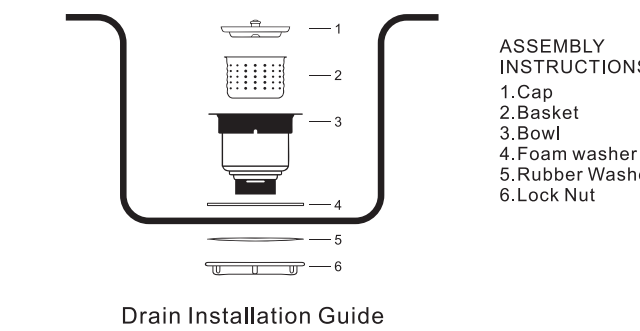
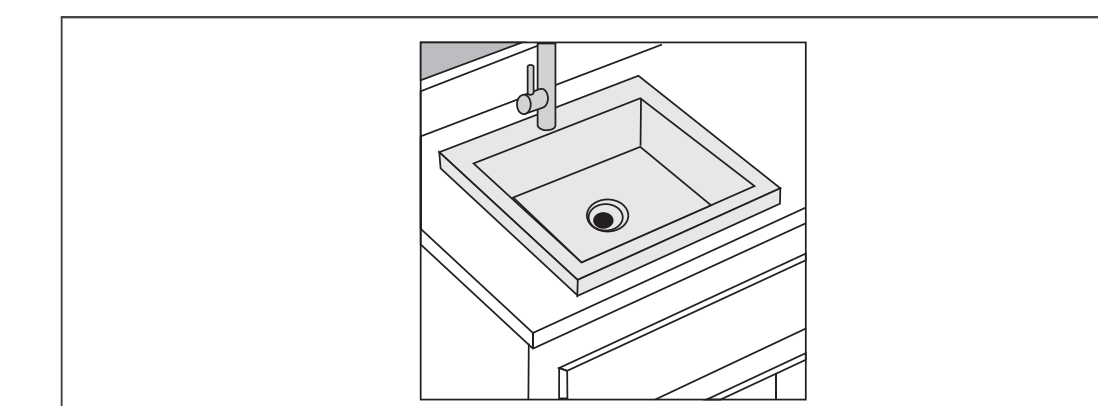


5

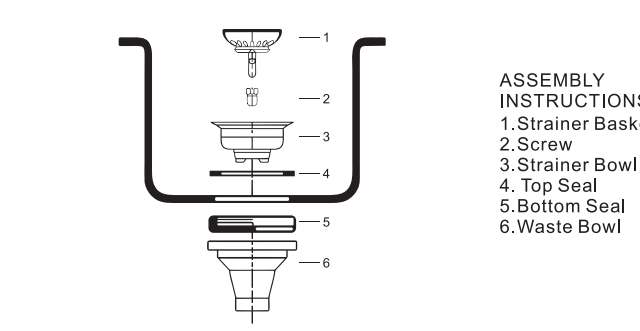
Step 7: Install Plumbing Fixtures

Connect the drain to the sink. Connect the trap to the drain. Connect the water supply connectors to the faucet according to manufacturer's instructions.

Drain the water into the sink and check for leaks.



Drain Installation Guide



Drain Installation Guide

6