

HOROW®

INSTALLATION MANUAL

Handmade Stainless Steel Undermount Kitchen Sink

www.horowbath.com Toll Free: 1 571-723-0338

Congratulations on the purchase of your new Horow plumbing fixture!

Please keep the box and packaging materials until your product is completely installed. If you have any questions, require technical assistance or have any problems with your product:

STOP DO NOT RETURN TO STORE

Please contact our Customer Service Team
1 571-723-0338 / info@horowbath.com

Have the model number available and retain a copy of your receipt with purchase date for reference.

If for any reason this product does not meet your expectations, please be sure to repack this product in the original box and packaging material to avoid damage during transit.

Prior to Installation:

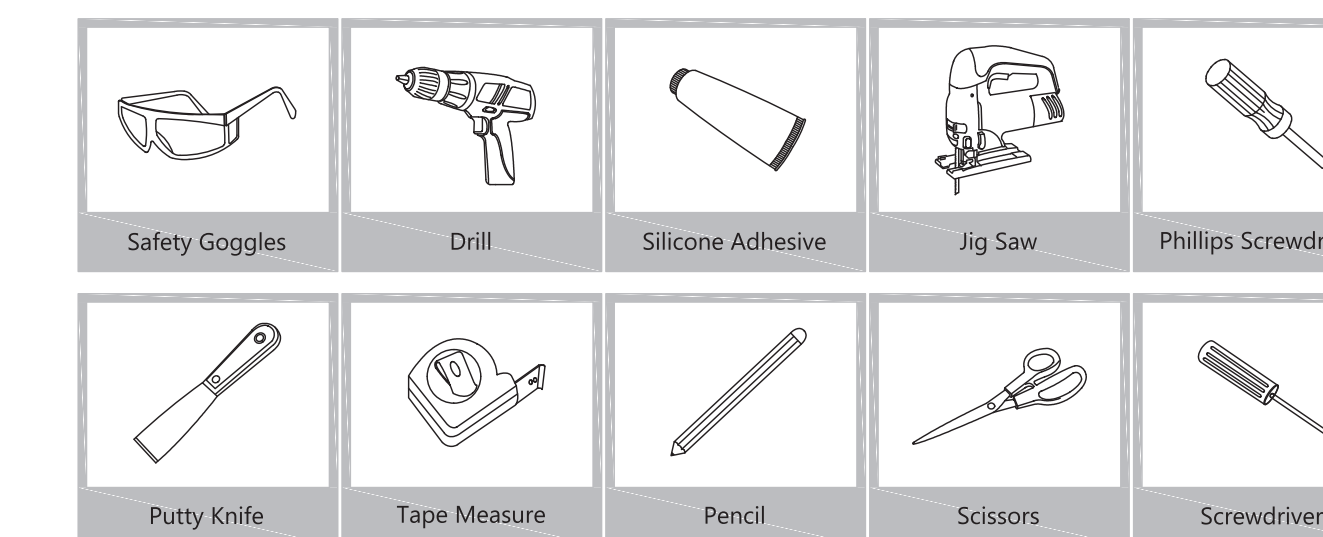
- Make sure that you have all necessary parts by checking the parts list. If any part is missing or damaged, please contact Horow Customer Service at 1 571-723-0338 for a replacement
- Inspect the sink prior to installation to make sure that it has not been damaged or during shipping
- Use the cut-out template provided by Horow
- Observe all plumbing and building codes according to your state requirements
- Not recommended to be installed with laminate countertop

For technical assistance or replacement parts, please contact Horow Customer Service and one of our representatives will be happy to help:
Toll-Free: 1 571-723-0338 / info@horowbath.com

The step-by-step guidelines in the installation instructions are a general reference for installing a Horow sink.

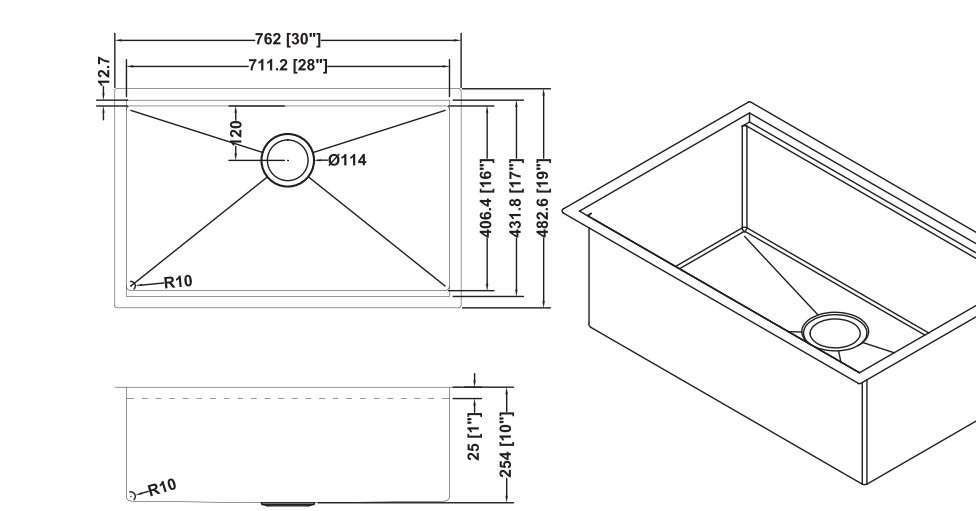
Should there be any discrepancies, Horow cannot be held liable. It is recommended to install all Horow products by hiring a licensed professional.

Tools you will need:

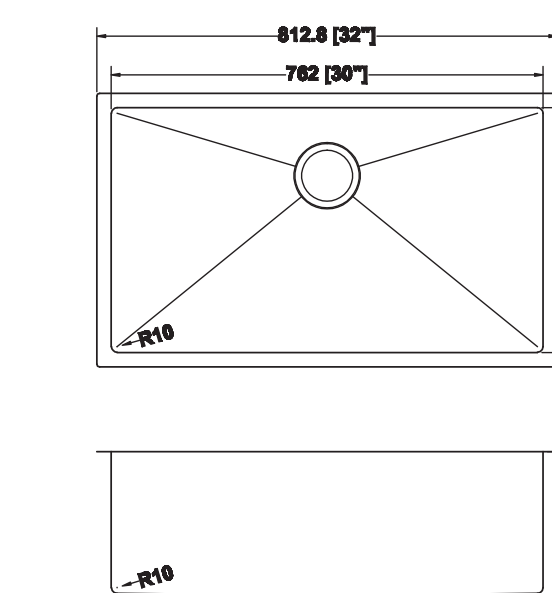


NOTE: Specialized tools may be necessary to install Horow Stainless Steel Kitchen sinks with countertop materials other than wood, marble or granite.

Dimensions:



30" x 19" x 10"

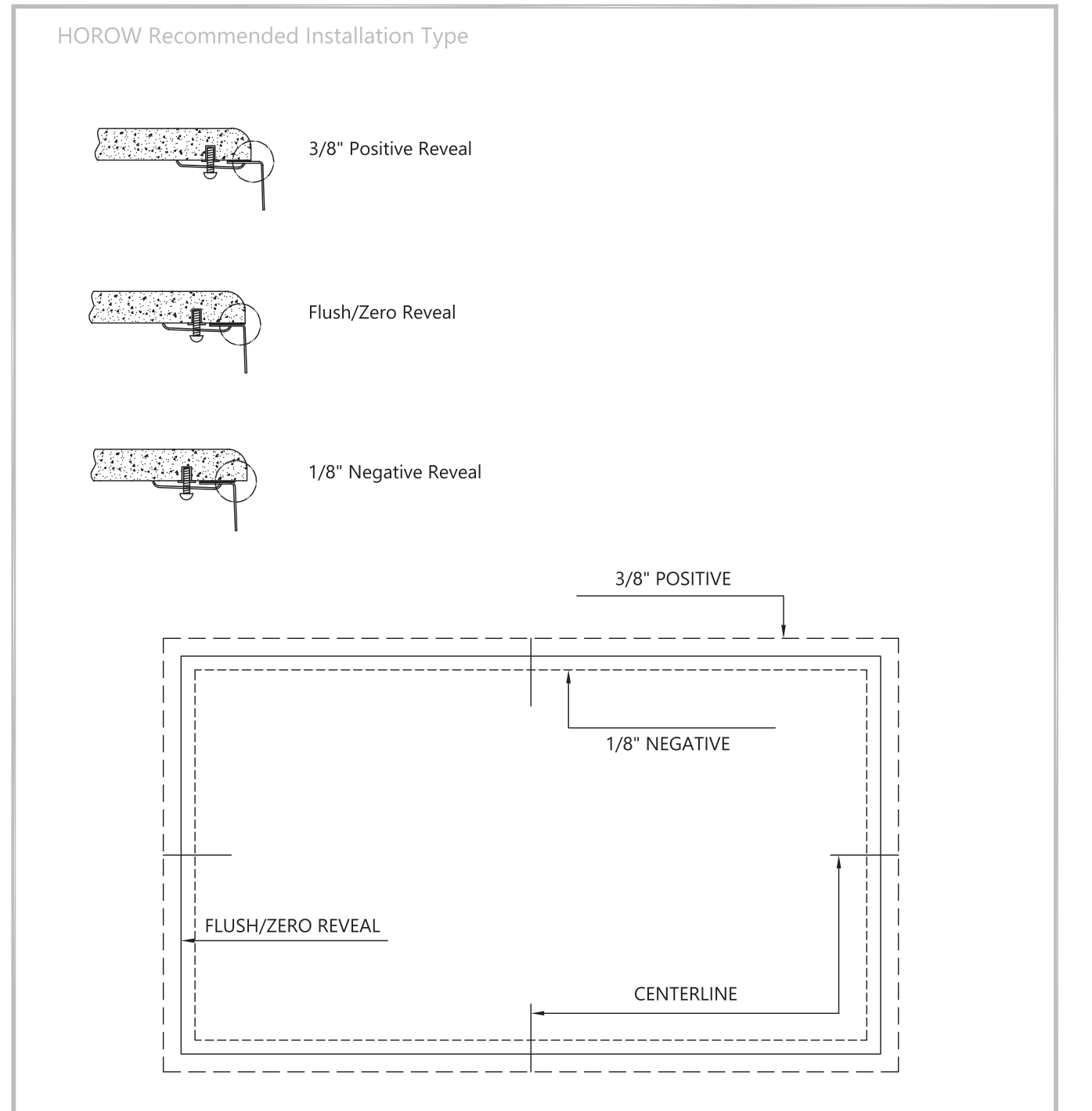


32" x 19" x 10"

Undermount Installation

Step 1. Determine reveal type

- Use scissors to cut along the line of the paper template for your desired reveal type (Negative, Positive, or Flush Reveal)



Step 2. Position template

- Check the cut-out template against the actual sink to ensure a proper sized cut-out.
- Place the cut-out template in the desired location on the countertop.

NOTE: Make sure clearance is suitable for backsplash, faucet and plumbing for the sink.

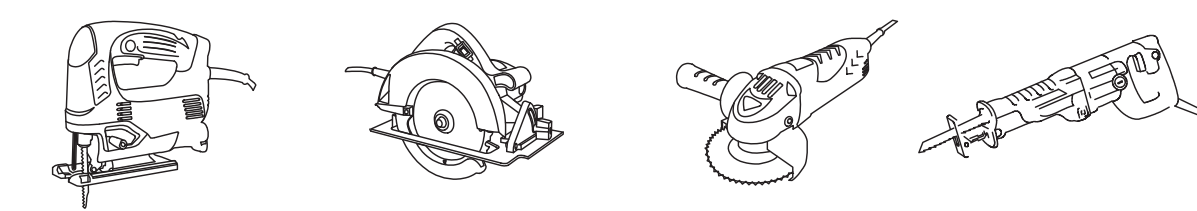
Step 3. Trace Template

- Trace template on countertop with a pencil.

Step 4. Cut countertop

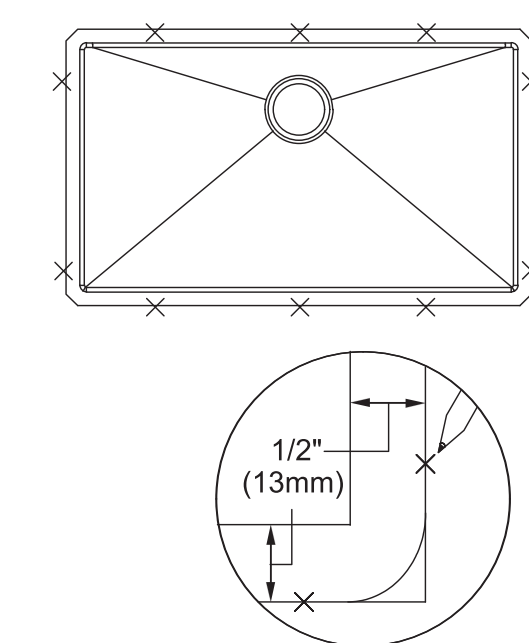
- Cut the opening in the countertop by carefully following the traced line.

NOTE: Please use the appropriate saw that best fits your countertop material.



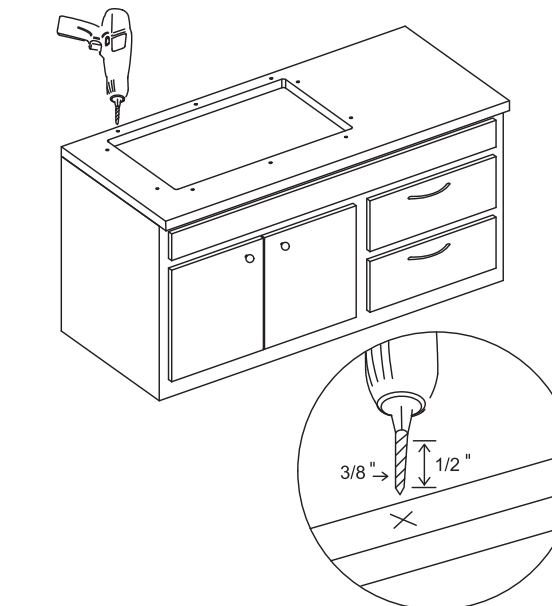
Step 5. Set up mounting brackets

- Turn countertop over and align sink with countertop. Decide location for mounting brackets.
- Mounting holes should be 1/2" from edge of sink.



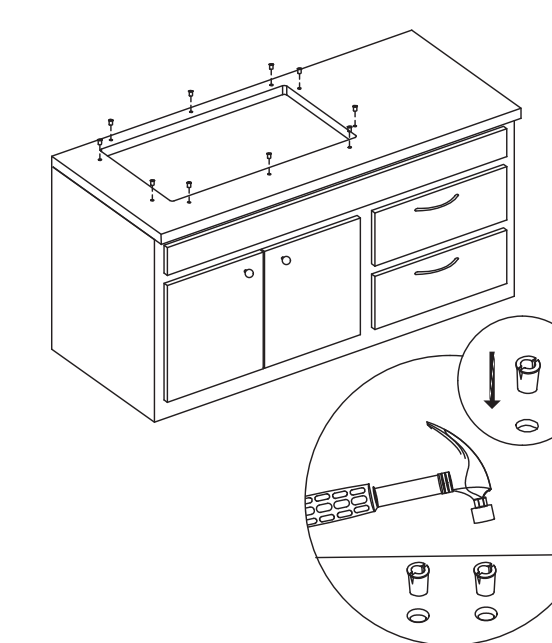
Step 6. Drill hole in countertop

- Drill 3/8" diameter x 1/2" deep hole in the countertop.



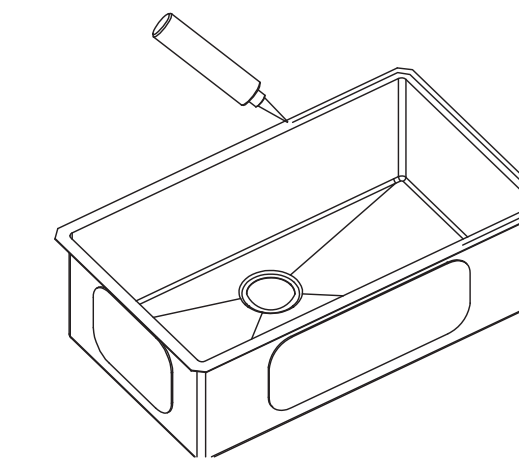
Step 7. Install anchors

- Insert anchors into drilled holes and lightly tap with a hammer until flush.



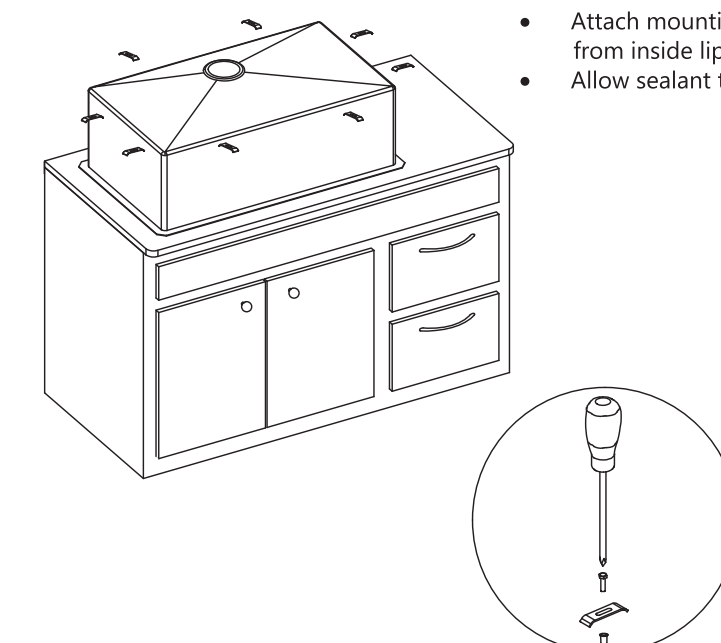
Step 8. Secure sink to countertop

- Use a bead of silicone (or preferred adhesive) around the rim of the sink. Check the alignment of the sink to the cutout in the countertop. Place sink over cutout hole and press firmly.



Step 9. Attach mounting hardware

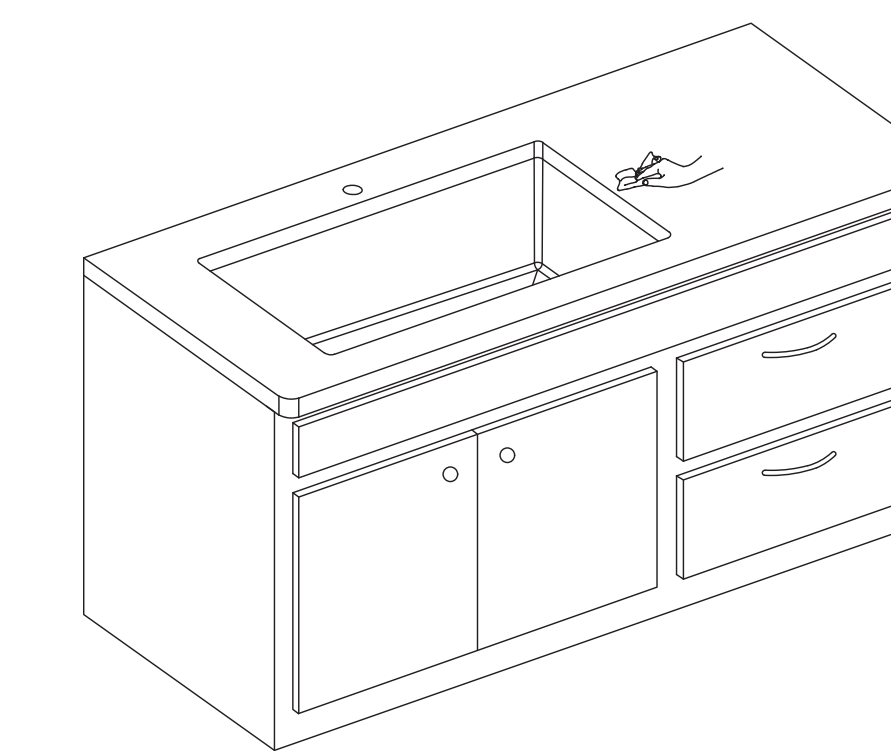
- Attach mounting hardware to secure bowl. Remove excess sealant from inside lip.
- Allow sealant to set for 30 - 60 minutes.



NOTE: Use acetone or rubbing alcohol to remove any excess sealant.

Step 10. Install plumbing fixtures

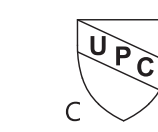
- Connect drain to sink. Connect trap to drain. Connect water supply connections to faucet according to manufacturer's instructions.
- Run water into sink and check for leaks.



Maintenance

Clean your sink on a regular basis with warm soapy water. Rinse the sink after using cleaning products. Wipe the sink surface with a soft cloth to remove any liquid residue. Do not cut food directly on the surface of the sink. Do not leave sharp objects on the surface of the sink for an extended period of time. Do not use abrasive cleaning products, sanding tools, steel wool or bleaching products.

Codes/Standards Applicable



Restrictions

This warranty does not cover instances of negligence, misuse, abuse, improper installation, carelessness, accident, hard water or mineral deposits, exposure to corrosive materials, misapplication, damages caused by improper maintenance, alteration of the product, or failure to follow care or installation instructions enclosed with your product. Avoid using abrasive cleaners such as powders, bleach, ammonia, alcohol, or chlorine. Avoid using abrasive pads, steel wool, or wire brushes, as these will damage and wear down the finish.

This warranty does not apply to Products that have not been installed or operated in accordance with instructions supplied by Horow and all applicable rules, regulations, and legislation pertaining to such installations.

This warranty does not apply unless the Horow product is installed by a fully insured and licensed trade professional. Horow insists that such professionals have experience in the installation of bathroom and kitchen manufactured goods.

This warranty does not cover labor charges or costs of removal and reinstallation of said product. This warranty does not allow recovery of incidental or consequential damages, such as loss of use, delay, property damage, or other consequential damages, and Horow accepts no liability for such damages.

This warranty does not cover Marine or Outdoor installation.

This warranty does not cover any free gifts included with purchase.

Except as otherwise provided above, Horow makes no warranties, expressed or implied, including warranties of merchantability and fitness for a particular purpose, or compliance with any code.

Shipping charges will be covered for the first (1) year of the warranted replacement part or product (IH, AK, and Puerto Rico shipping charges may apply). International shipping fees are not included.