



## INSTALLATION INSTRUCTIONS

Part # NUT4400-U

### IMPORTANT INFORMATION

This item must be installed following these instructions. Read the easy-to-follow instructions fully prior to starting the installation. Correct installation is the only way to ensure proper operation.

QTY.	KIT CONTENTS
1	Jagg 4400 offset oil filter adapter assembly
2	7/8" black worm-drive hose clamps

TOOLS NEEDED
Strap wrench or oil filter removal tool
1" deep-well socket
3/8" extension ratchet



**CAUTION: ALLOW MOTORCYCLE TO COOL BEFORE ATTEMPTING INSTALLATION OR RISK SERIOUS INJURY.**

#### The NUT4400-U

This item is designed to install in a Jagg 4400 oil filter adapter to allow installation of the 4400 oil filter adapter on certain aftermarket motors with longer oil filter stems.

#### Installing the NUT4400-U

1. Remove the Jagg 4400 oil filter adapter lock nut (Figure 1, Item 2).
2. Remove the stock oil filter mounting stem from the stock oil filter housing.  
**NOTE:** If your motorcycle is not equipped with an oil filter mounting stem with a hex nut, then it may be necessary to remove it with pliers. Rubber inserts such as a small piece of oil hose can be cut and placed over plier jaws to protect the oil filter mounting stem from damage in the event of desire to preserve for future use.
3. Place the male end of the NUT4400-U (Figure 2, Item 2) through the hole in the oil filter adapter body (Figure 1, Item 1).
4. Thread the male end of the NUT4400-U into the stock oil filter housing.
5. Using a 3/8" extension ratchet, tighten the NUT4400-U.
6. Complete installation/re-installation of the Jagg 4400 oil filter adapter according to the installation instructions provided with that item.

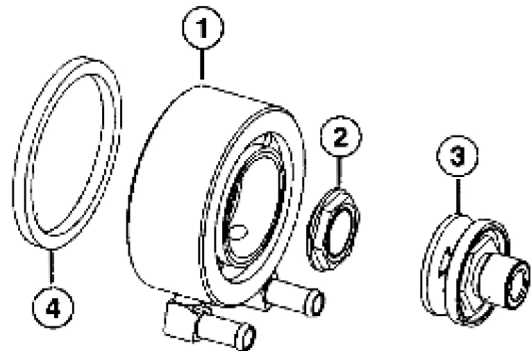


Figure 1

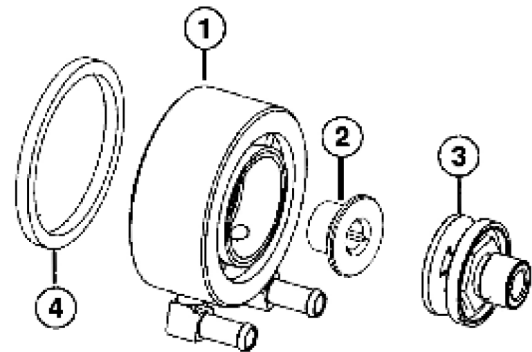


Figure 2