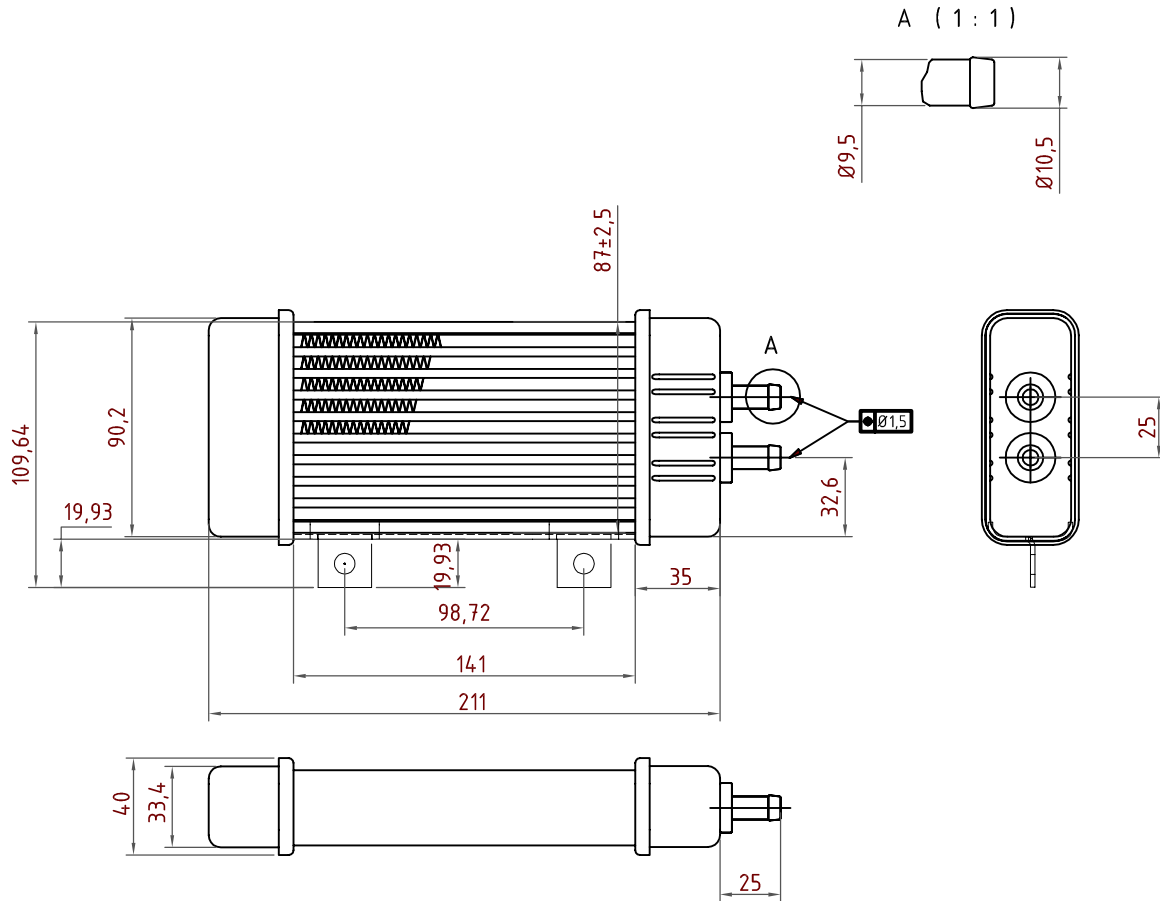


3150



TOLERANCE CLASS: ISO 2768-v	0,5 up to 3	over 5 up to 6	over 5 up to 30	over 30 up to 120	over 120 up to 400	over 400 up to 1000
FRAME DIMENSIONS	-	±0,5	±1	±1,5	±2,5	±4

REF: C/4	ALL MEASUREMENTS REFER TO PAINTED OBJECT	SCALE	N/A	Date	Sign
DESIGN: 052214	ZB	STANDARD: ISO 2768-v			
OPERATION: 14 ISLM-10 P03/8 2P					
DESCRIPTION: OILCOOLER					
DATE: 2014-10-20					
DESIGNER: JAGG					
3150					