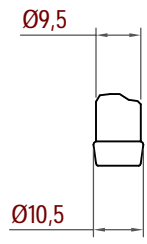
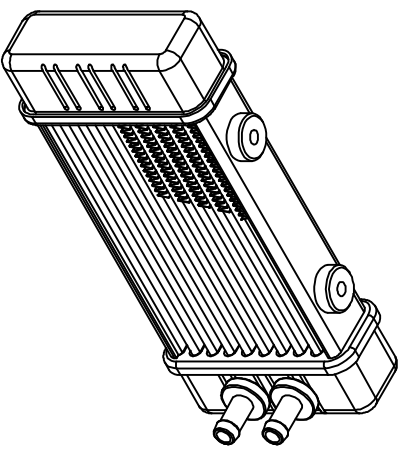
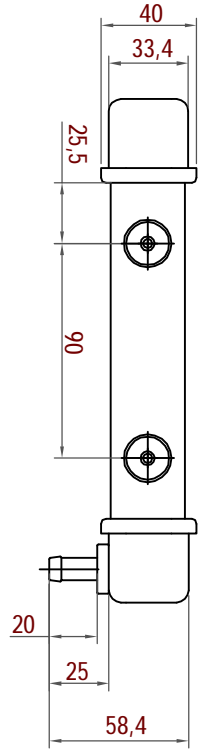
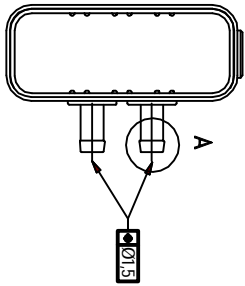
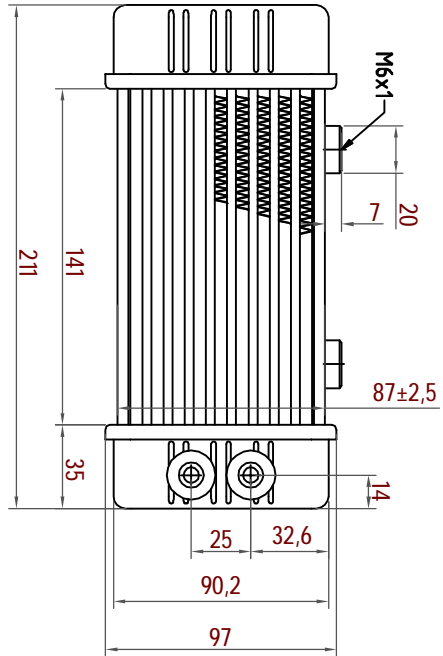


3130



A (1:1)



TOLERANCE CLASS ISO 2768-M	0,5 up to 3	0,5 up to 3	0,5 up to 3	0,5 up to 3	0,5 up to 3
±0,3	±0,3	±0,3	±0,3	±0,3	±0,3

Model	C/4	ALL DIMENSIONS REFER TO PRINTED OBJECT	CA	N/A	Date	Sign
Volume	4 Bar	ISO 2768-M	PT			
Pressure	5 Bar	141SLM-10 P03/8 2P	PS			
Material	4 Bar		S			
Finish	POWDER COATED					
Part Name	JAGG					
Part Number						
Part Description						
Part Drawing						
Part Material						
Part Color						
Part Weight						
Part Length						
Part Width						
Part Height						
Part Volume						
Part Area						
Part Perimeter						
Part Mass						
Part Density						
Part Tolerance						
Part Material						
Part Color						
Part Weight						
Part Length						
Part Width						
Part Height						
Part Volume						
Part Area						
Part Perimeter						
Part Mass						
Part Density						
Part Tolerance						
Part Material						
Part Color						
Part Weight						
Part Length						
Part Width						
Part Height						
Part Volume						
Part Area						
Part Perimeter						
Part Mass						
Part Density						
Part Tolerance						
Part Material						
Part Color						
Part Weight						
Part Length						
Part Width						
Part Height						
Part Volume						
Part Area						
Part Perimeter						
Part Mass						
Part Density						
Part Tolerance						
Part Material						
Part Color						
Part Weight						
Part Length						
Part Width						
Part Height						
Part Volume						
Part Area						
Part Perimeter						
Part Mass						
Part Density						
Part Tolerance						
Part Material						
Part Color						
Part Weight						
Part Length						
Part Width						
Part Height						
Part Volume						
Part Area						
Part Perimeter						
Part Mass						
Part Density						
Part Tolerance						
Part Material						
Part Color						
Part Weight						
Part Length						
Part Width						
Part Height						
Part Volume						
Part Area						
Part Perimeter						
Part Mass						
Part Density						
Part Tolerance						
Part Material						
Part Color						
Part Weight						
Part Length						
Part Width						
Part Height						
Part Volume						
Part Area						
Part Perimeter						
Part Mass						
Part Density						
Part Tolerance						
Part Material						
Part Color						
Part Weight						
Part Length						
Part Width						
Part Height						
Part Volume						
Part Area						
Part Perimeter						
Part Mass						
Part Density						
Part Tolerance						
Part Material						
Part Color						
Part Weight						
Part Length						
Part Width						
Part Height						
Part Volume						
Part Area						
Part Perimeter						
Part Mass						
Part Density						
Part Tolerance						
Part Material						
Part Color						
Part Weight						
Part Length						
Part Width						
Part Height						
Part Volume						
Part Area						
Part Perimeter						
Part Mass						
Part Density						
Part Tolerance						
Part Material						
Part Color						
Part Weight						
Part Length						
Part Width						
Part Height						
Part Volume						
Part Area						
Part Perimeter						
Part Mass						
Part Density						
Part Tolerance						
Part Material						
Part Color						
Part Weight						
Part Length						
Part Width						
Part Height						
Part Volume						
Part Area						
Part Perimeter						
Part Mass						
Part Density						
Part Tolerance						
Part Material						
Part Color						
Part Weight						
Part Length						
Part Width						
Part Height						
Part Volume						
Part Area						
Part Perimeter						
Part Mass						
Part Density						
Part Tolerance						
Part Material						
Part Color						
Part Weight						
Part Length						
Part Width						
Part Height						
Part Volume						
Part Area						
Part Perimeter						
Part Mass						
Part Density						
Part Tolerance						
Part Material						
Part Color						
Part Weight						
Part Length						
Part Width						
Part Height						
Part Volume						
Part Area						
Part Perimeter						
Part Mass						
Part Density						
Part Tolerance						
Part Material						
Part Color						
Part Weight						
Part Length						
Part Width						
Part Height						
Part Volume						
Part Area						
Part Perimeter						
Part Mass						
Part Density						
Part Tolerance						
Part Material						
Part Color						
Part Weight						
Part Length						
Part Width						
Part Height						
Part Volume						
Part Area						
Part Perimeter						
Part Mass						
Part Density						
Part Tolerance						
Part Material						
Part Color						
Part Weight						
Part Length						
Part Width						
Part Height						
Part Volume						
Part Area						
Part Perimeter						
Part Mass						
Part Density						
Part Tolerance						
Part Material						
Part Color						
Part Weight						
Part Length						
Part Width						
Part Height						
Part Volume						
Part Area						
Part Perimeter						
Part Mass						
Part Density						
Part Tolerance						
Part Material						
Part Color						
Part Weight						
Part Length						
Part Width						
Part Height						
Part Volume						