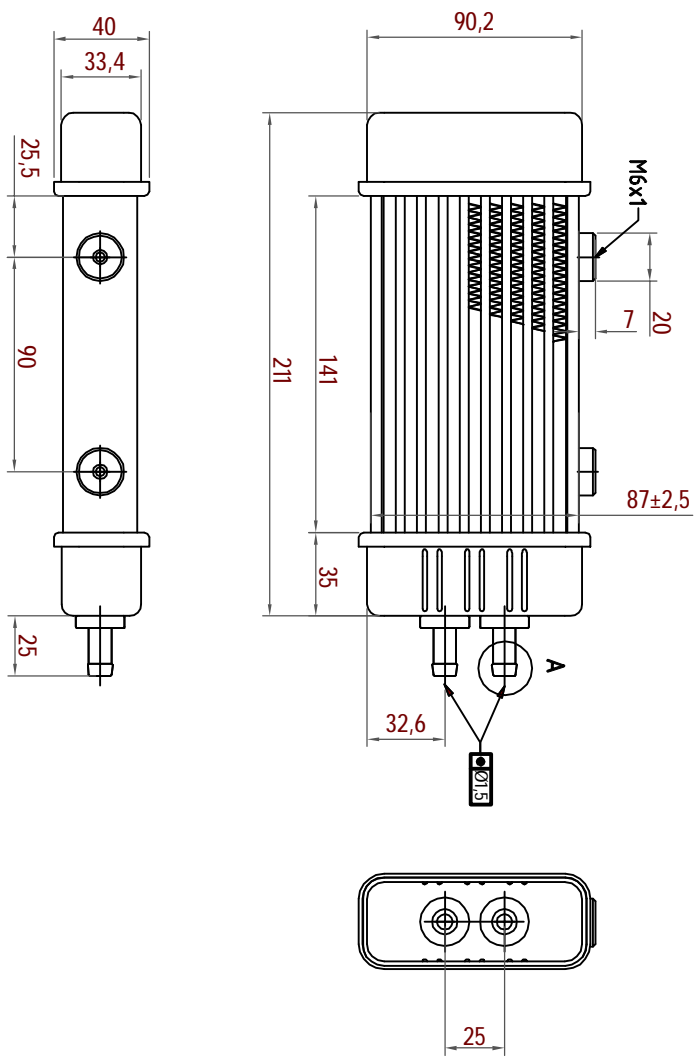


3120



TOLERANCE CLASS ISO 2768-M

SIZE	Ø	H	h	ES	es
up to 3	0.5	0.012	0.0075	+0.012	-0.0075
3 to 6	0.5	0.015	0.010	+0.015	-0.010
6 to 30	0.5	0.020	0.015	+0.020	-0.015
30 to 120	0.5	0.025	0.020	+0.025	-0.020
120 to 400	0.5	0.030	0.025	+0.030	-0.025
400 to 1000	0.5	0.035	0.030	+0.035	-0.030
1000 to 3000	0.5	0.040	0.035	+0.040	-0.035
3000 to 10000	0.5	0.045	0.040	+0.045	-0.040

Model	4 Bar	ISO 2768-M	ALL DIMENSIONS REFER TO FINISHED OBJECT	CA	N/A	Date	Sign
Volume	4 Bar	07507	ISO 2768-M	PT			
Pressure	5 Bar	1415M-10 P03/8 2P		PS			
Material	4 Bar			S			
Finish	POWDER COATED						
Part Name	OIL COOLER						
Part Number							
Manufacturer	JAGG						
Part No.	3120						