

2.4GHz WIRELESS DIGITAL HEADSET



4GHZ DIGITAL WIRELESS CHIN HEADSET uses latest digital v
ogy, and enables to improve the hearing aid capability that may r
elderly people to enjoy crystal sound stereo music and TV sound an
our home. Simply connect the transmitter to a desired audio sourc
CD player, TV set, Hi-Fi system, or iPod. Without complicated wir
ion, the system enables you to enjoy thrilling, lifelike sound in minut

JRES

4GHz Digital Hopping System Technology

Locking Charge Mechanism

RF Transmission Auto Off (when without audio signal)

Music Muting for Verbal Communications

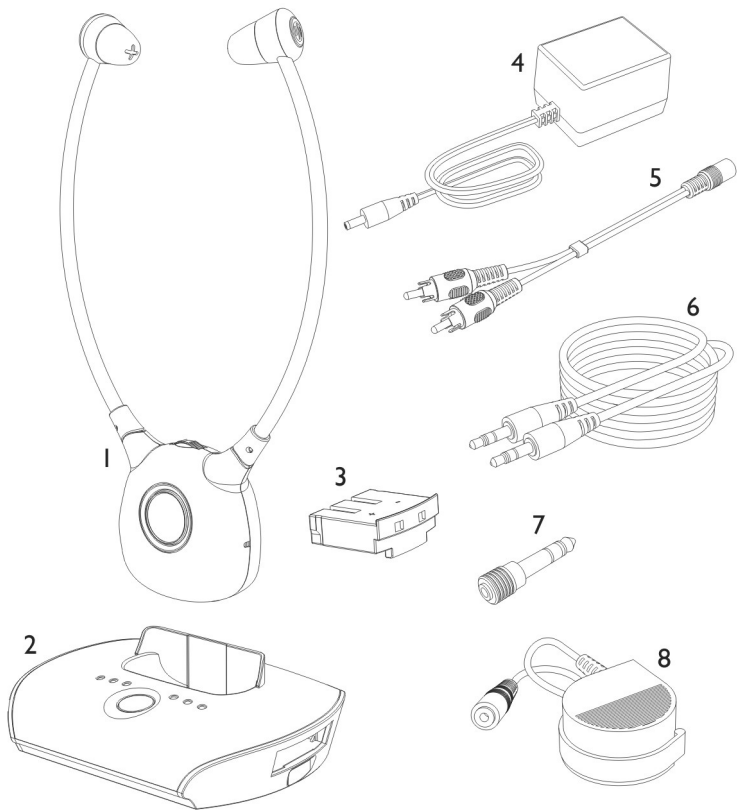
Speed Charging Mechanism

Simple Battery Charging Design

Microphone Adapter for sound pick up from audio source.

Adjustment of Sound Balance

Adjustment of Treble/Tone Clarity



Headset Receiver

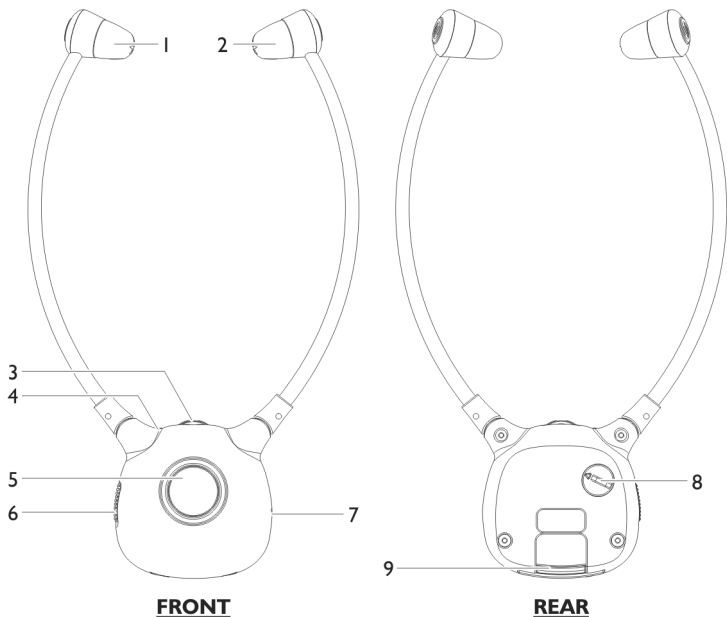
Transmitter

Polymer Lithium Rechargeable Battery x 2 pieces

AC/DC Adapter

ACA Adapter Cable

Audio Cable (both ends with 3.5 mm stereo plug)



Right Adjustable Earbud

Left Adjustable Earbud

Volume Control

LED Indicator of Power/Signal

Mute Button for Verbal Communications

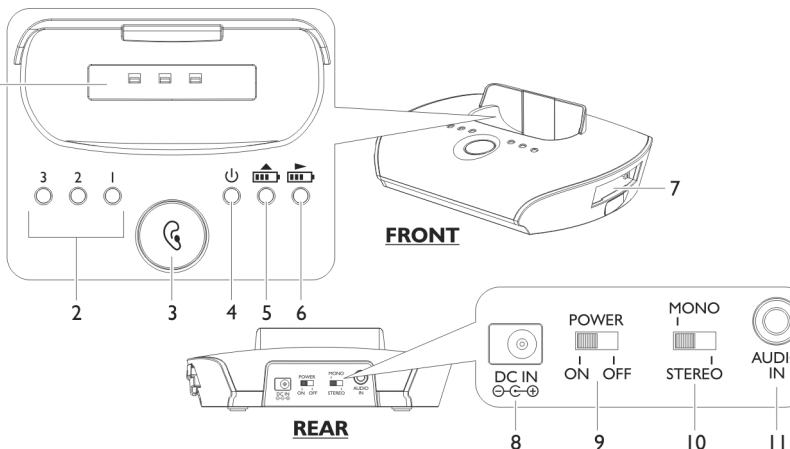
Power On/Off Switch

Microphone

Sound Balance Control (Left/Middle/Right)

Battery

ion Identification: Transmitter



Charging Cradle

LED Indicator of Tone Clarity

Tone Clarity Button

LED Indicator of Power/Signal

LED Charging Indicator for Main Battery (attached to Headset Receiver)

LED Charging Indicator for Spare Battery

Spare Charging Slot

DC In

Power ON/OFF

Mono/Stereo Switch

3.5mm Audio In Socket

INSTALLATION

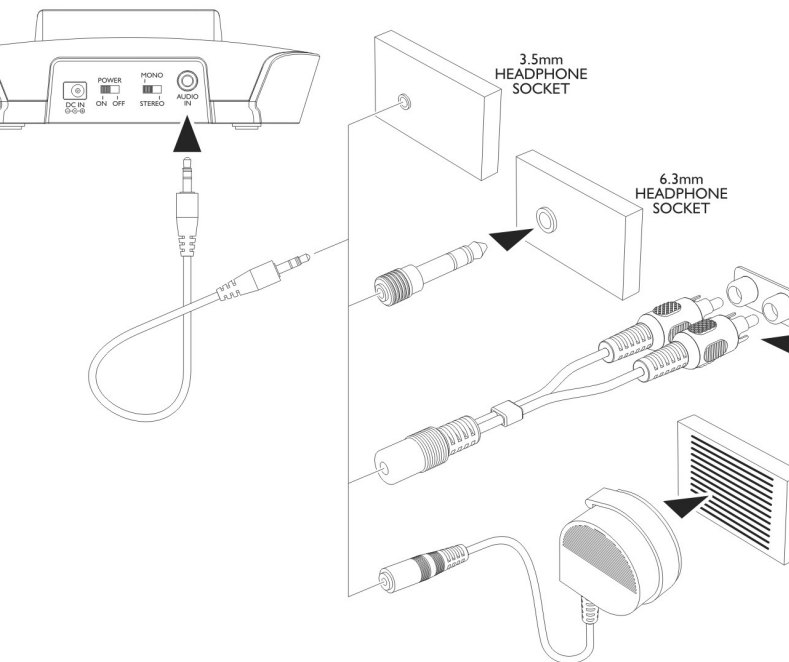
TRANSMITTER

Connect the Power Adapter to the DC IN input Socket located on the Transmitter rear panel.

Connect the Power Adapter provided to an Electrical Outlet.

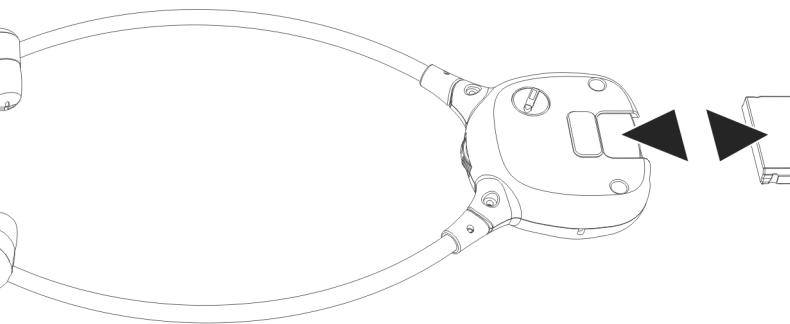
CA Adapter Cable, Audio Cable, **6.3 mm to 3.5 mm Adapter Plug**, Earphone and **are provided for various type of connection to Audio Source** (e.g. TV set, Hi-Fi system, MP3 or iPod).

Behind the Transmitter, select the Power ON/OFF Switch to ON position.



HEADSET RECEIVER

Insert a battery into the Headset Receiver with correct Polarity.



ATTENTION

Switch on the Audio Source (TV set or audio component) that the transmitter is connected to. The Green LED Indicator will glow constantly.

Select the On/Off Switch in the Headset Receiver to ON position, the Green Signal LED Indicator glows.

Adjust the Volume for desired sound level, then place it on the head.

The signal Green LED Indicator on the headphone will blink slowly.

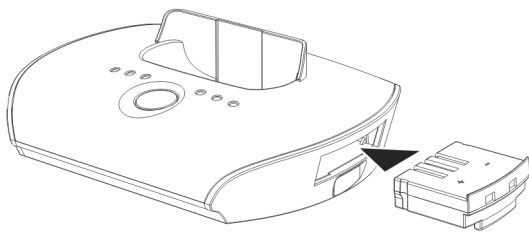
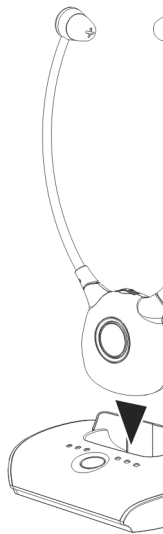
the battery for about 3 hours before first use.

Transmission of the Transmitter will automatically switch OFF in approximately 10 minutes if there is no Audio Signal, or the Signal that it receives from the Receiver is too weak for proper reception. However, if the Signal returns to a proper level, the Transmitter will automatically switch ON again.

CHARGING THE BATTERIES

1. Turn the On/Off Switch in the Transmitter Receiver to OFF position.
2. Turn the Headphone Receiver on the Transmitter, make sure the Charge Contact touches the Charge Pins on the Transmitter.

3. The Charging process starts automatically.
4. The Charge Indicator of Main Battery then glows in Green and stays on constantly. It will glow in Green about 2 hours for the battery is fully charged.
5. A spare battery is provided for sustained enjoyment. Simply insert it into the Transmitter for Charging.
6. The Charge Indicator of Spare Battery will then glow in Green and stays on constantly. It will glow in Green about 2 hours for it is fully charged.



NOTE:

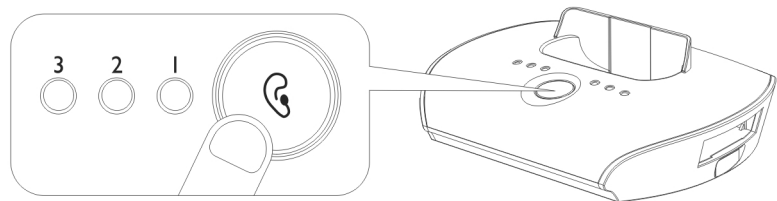
When headphones are not in use, move the switch to the OFF position to save the batteries.
Batteries must always be fully charged before first use. An initial 3 hours of charging is required to guarantee an acceptable service life for the rechargeable batteries. Always ensure that the Headphone Receiver is switched to OFF position while the batteries are being recharged.
Prolonged use of high sound pressure from earphones and headphones can cause hearing loss.

IMPORTANT:


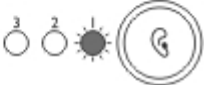


This device should be operated with rechargeable batteries only. When replacing the batteries or disposing of the unit, always comply with applicable laws relating to the disposal of batteries. Please place them in a proper disposal container to ensure that they are disposed safely and in an environmentally friendly way.

CLARITY

When necessary, Tone Clarity to Headset Receiver can be adjusted using the Tone Clarity control. The control is indicated by an orange LED of 1, 2 and 3. Simply press the Tone Clarity control and match to your level of hearing aid capability.



Speech Intelligibility can be enhanced individually on the transmitter using the following settings.

Default		No Adjustment
1		Enhances Treble and Bass
2		Enhances Treble only
3		Enhances Bass only

TECHNICAL SPECIFICATIONS

Transmission mode	: Digital Hopping System
Frequency	: 2.4GHz ISM BAND I
Operating voltage	: Transmitter : 5V 550mA Receiver : 3.7 V, 350 mA Lithium Polymer Battery
Frequency response	: 30 Hz – 20 KHz
Distortion	: <0.5%
Signal-to-noise ratio	: >75 dB
Range	: Up to 25 meters (open area)

that its cable is properly connected to the DC IN connector of the transmitter.

Ensure that the Headset Receiver Power ON/OFF switch is set to ON.

The charge level of Battery inside Headset Receiver may be too low. Recharge the battery or replace them with fully charged batteries.

Ensure that the TV set, Hi-Fi system or audio component is switched ON and set to a channel that broadcasts an audio signal.

Use the Volume Control on the Headset Receiver to increase the sound level.

The connected audio/video equipment may not be in playback mode. Start playback on by the equipment.

The Headset Receiver output level is set too low. Adjust the volume to a suitable level.

TRUBLESHOOTING

The charge level of Battery inside Headset Receiver may be too low. Recharge the battery or replace them with fully charged batteries.

The Headset Receiver may be too far away from the Transmitter. Move it closer to it.

The Audio Signal input level is too low. Increase the volume of the audio source.

the headset receiver cannot be linked with the transmitter. Please

follow the following procedure for Pairing:

Turn **OFF** the power of the Transmitter.

Turn **ON** the Headset Receiver

e Green LED on Headset Receiver lights steadily.