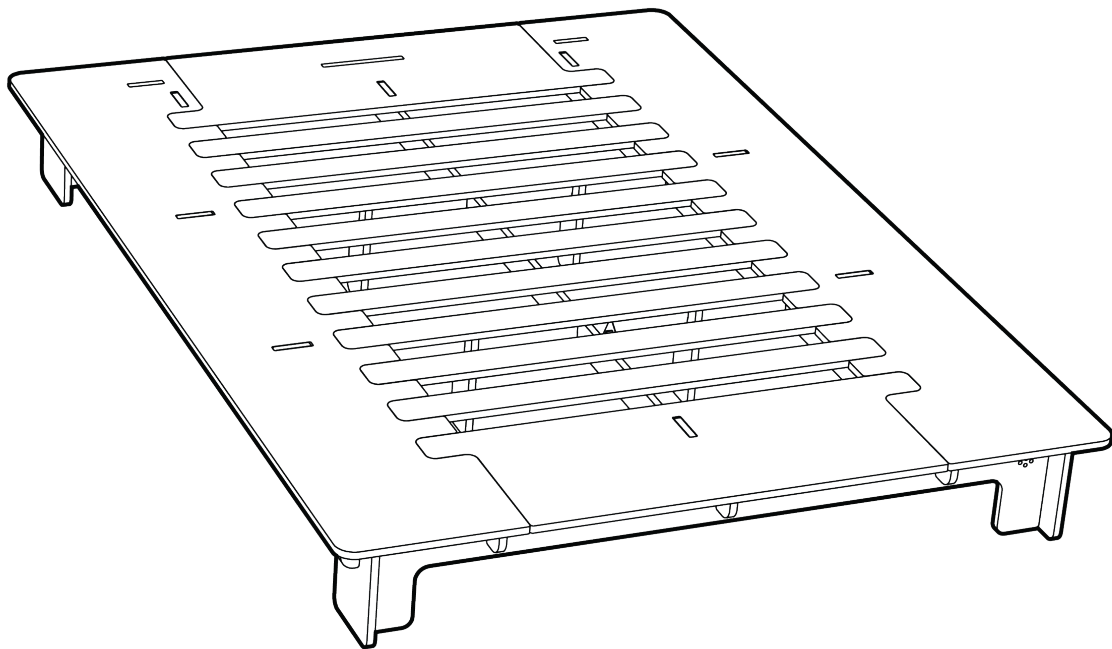

queen bed



Contents



- 01** Leg components

- 02** Position end-frame

- 03** Assemble frame

- 04** Attach cross-members

- 05** Attach cross-members

- 06** Unlock Quoll levers

- 07** Install upper platform

- 08** Install upper platform

- 09** Install slats

- 10** Lock down platform

- 11** Care guide

- 12** Parts list

Congratulations!

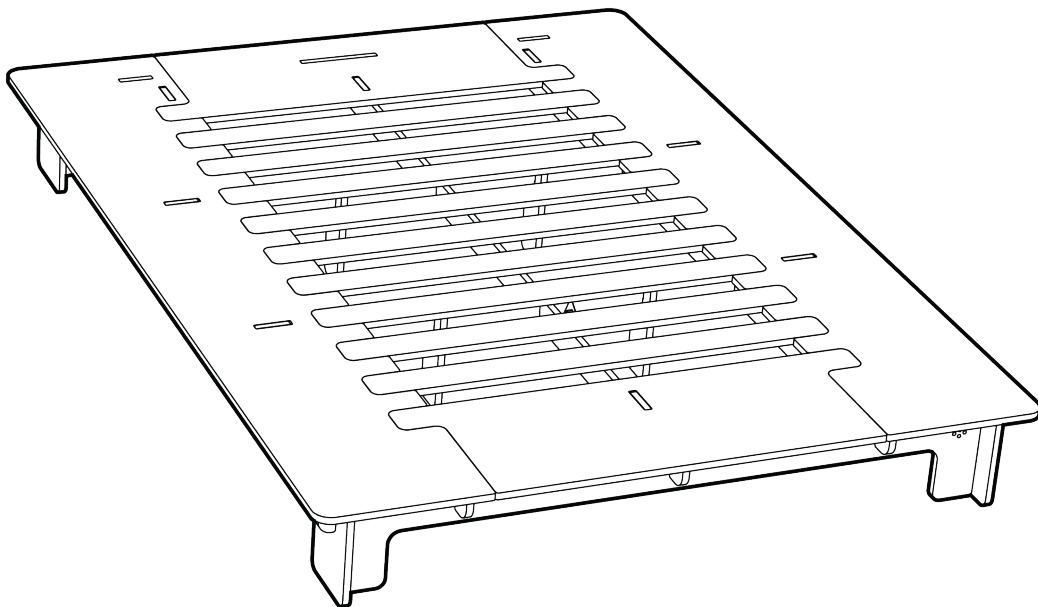


Thank you for purchasing a queen bed.

We manufacture all our beds in Perth Western Australia, made only from locally sourced materials.

If you have any queries with your product please feel free to contact us online at **quoll.store**

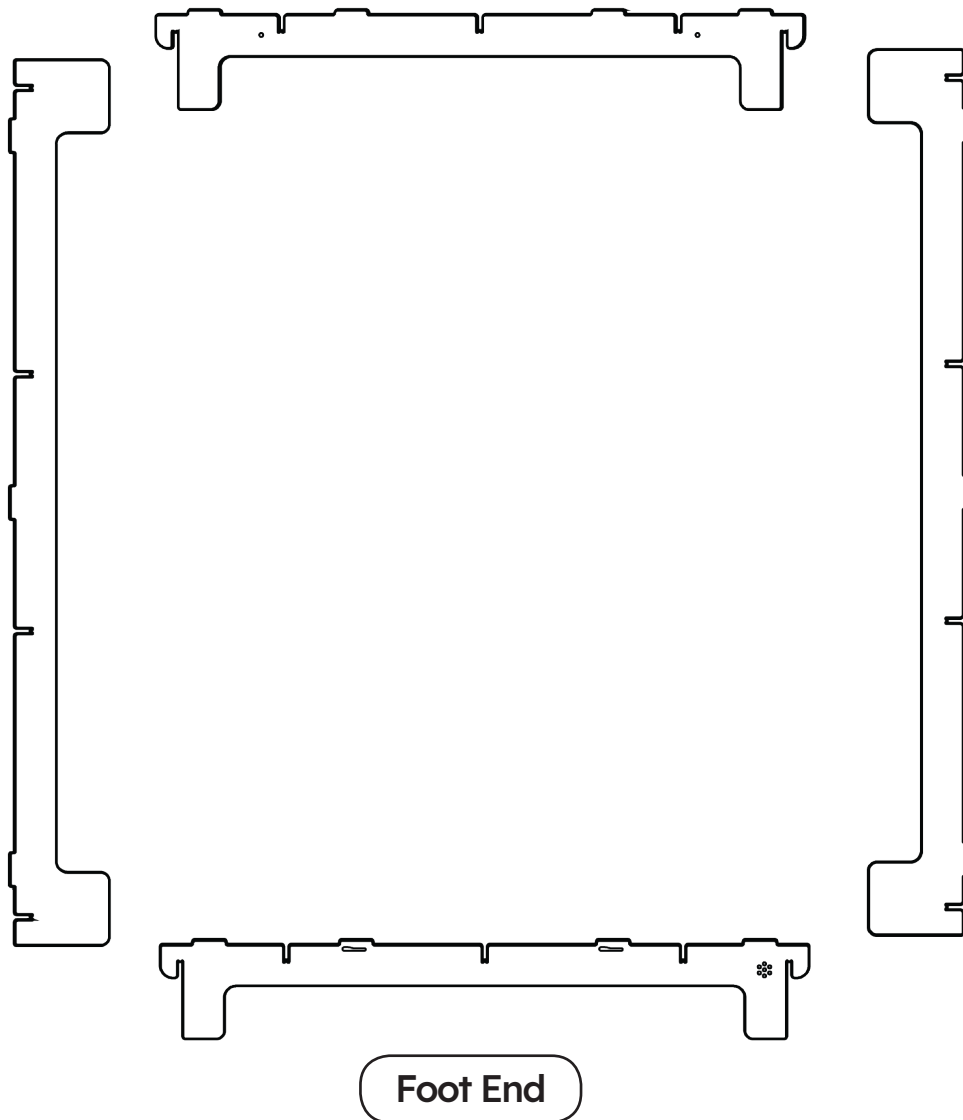
Thanks for purchasing quoll.



01 Leg components



1.1 Lay out all four leg components as pictured.



1.2 Make sure to place the end frame with the quoll logo at the foot end.

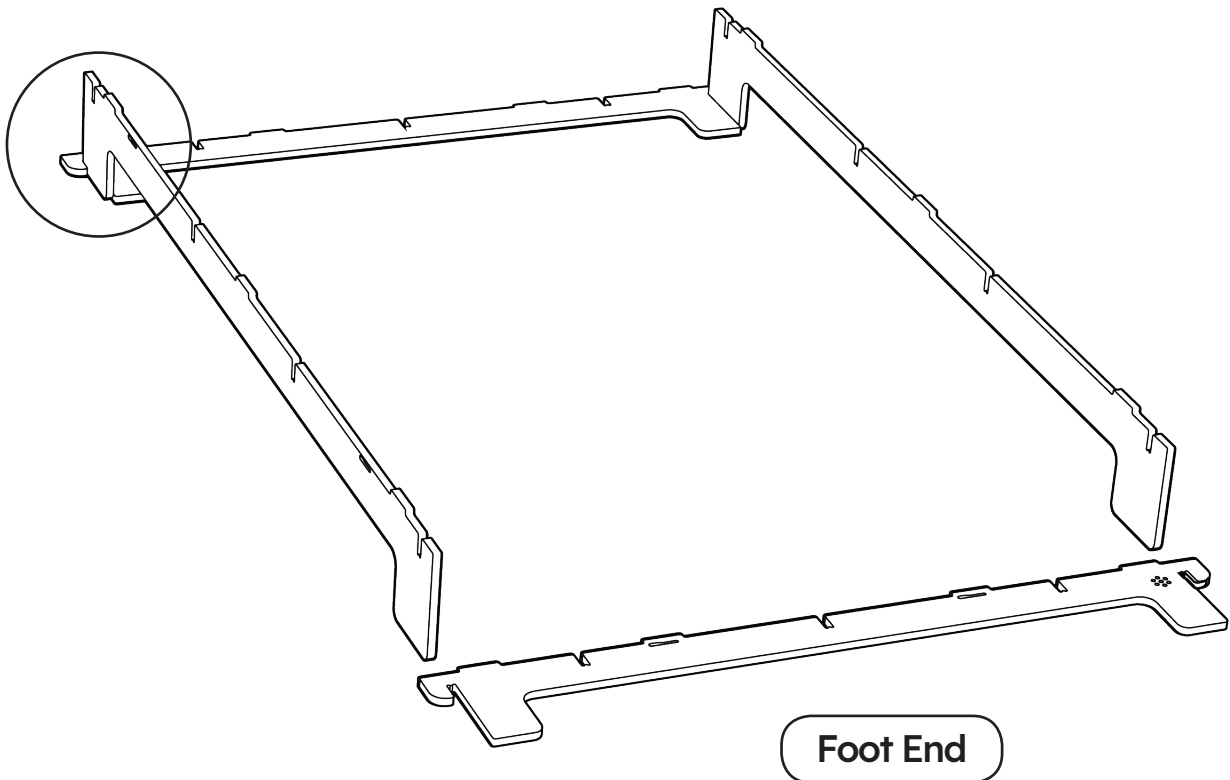
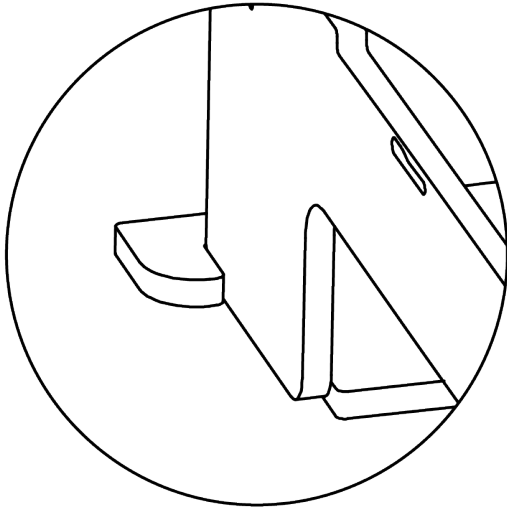
02

Position end-frame



2.1

Gently rest the side frames into the slots as shown, to help hold the sides upright while the foot-vent frame is assembled.



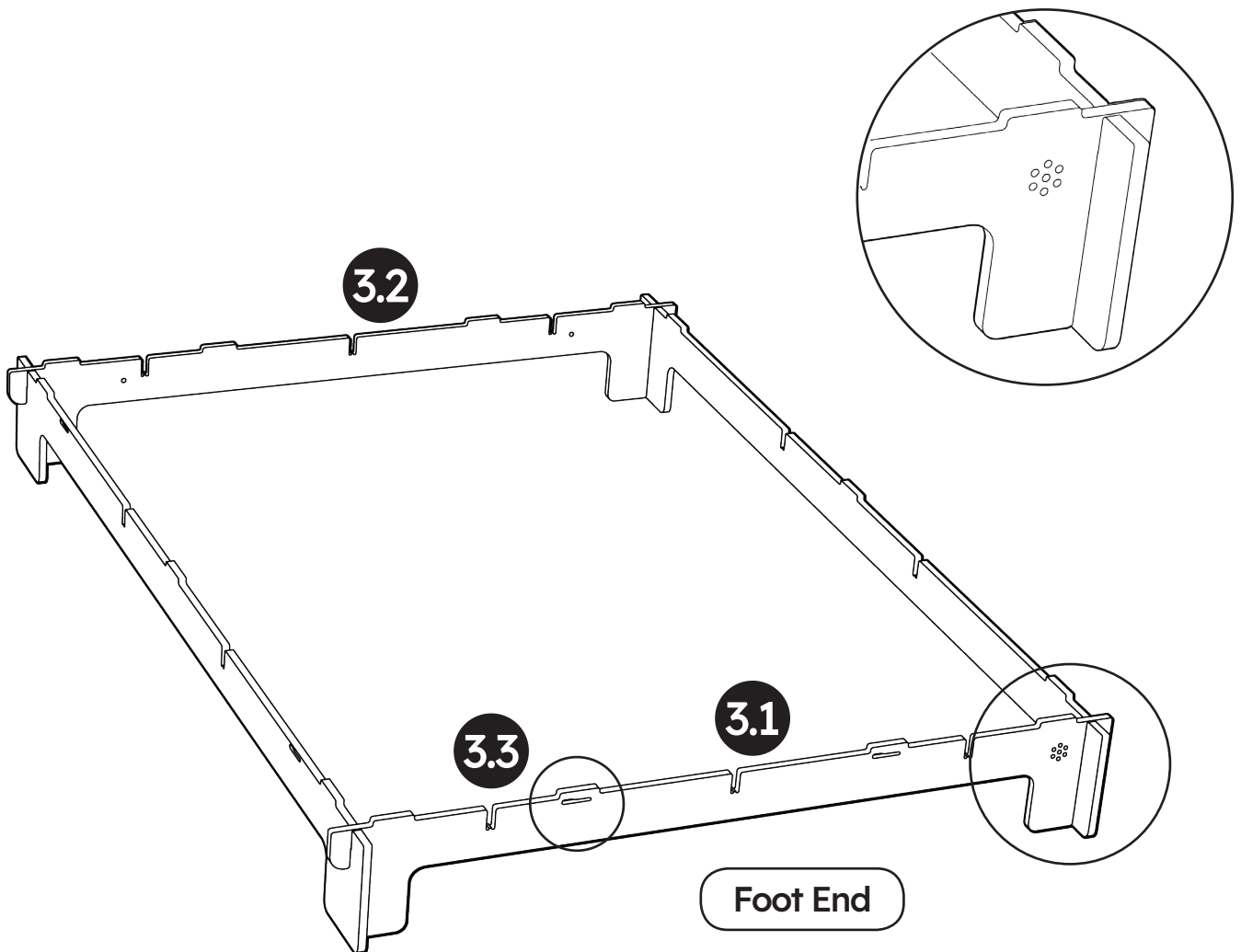
2.2

Make sure to place the end frame with the quoll logo facing up at the foot end.

03 Assemble frame



- 3.1** Slot the rear frame into the side sections, making sure to press firmly.
- 3.2** Slot the front frame into the side sections, making sure to press firmly.
- 3.3** Check all cam lever slots are facing to the outside of the bed before to step 04.

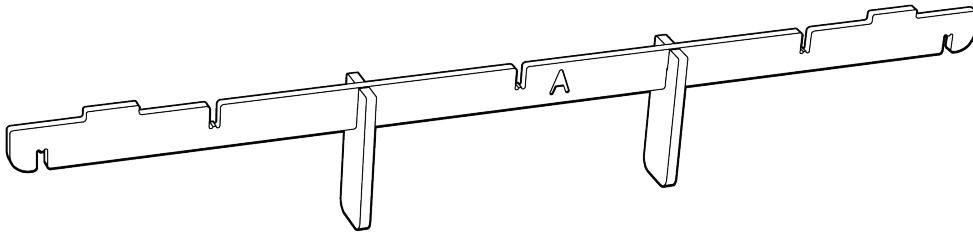


04

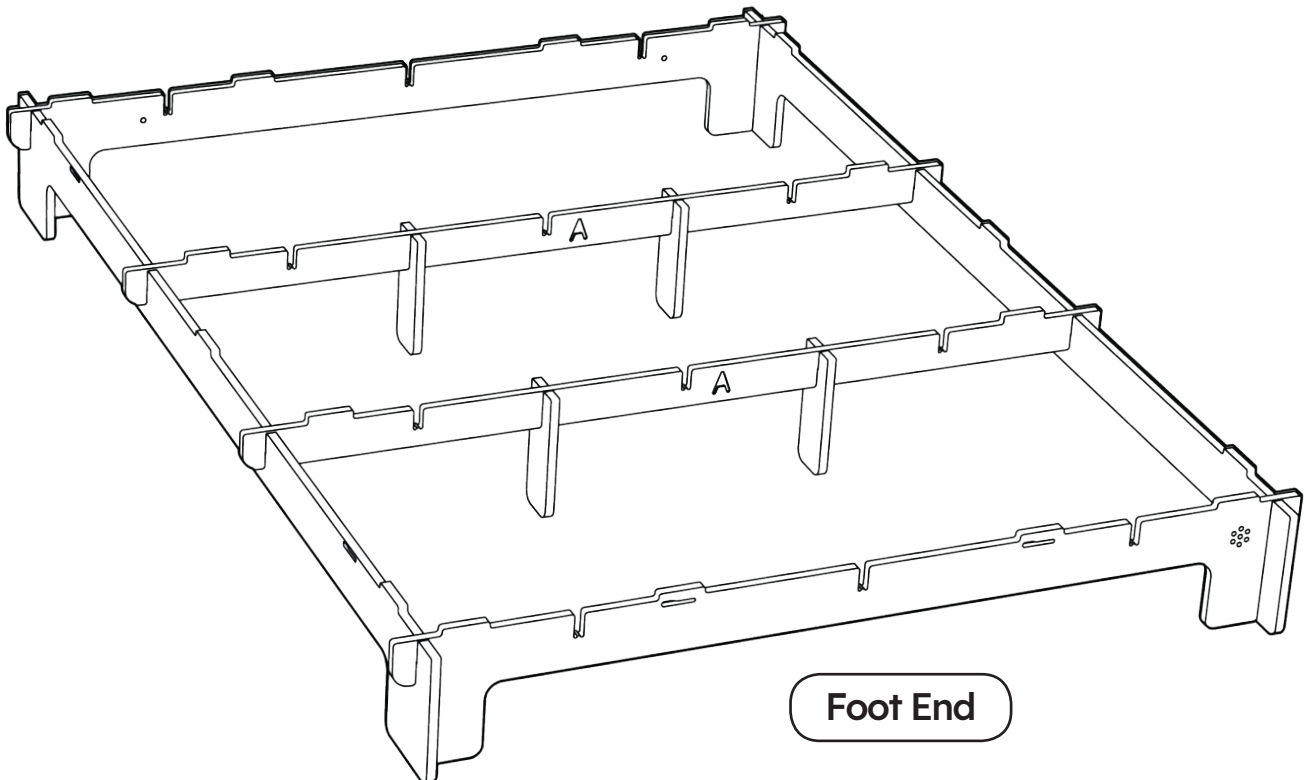
Attach cross-members



- 4.1** Slot the small support feet structures into the Part A cross-members.



- 4.2** Slot the two cross members into the main bed frame.



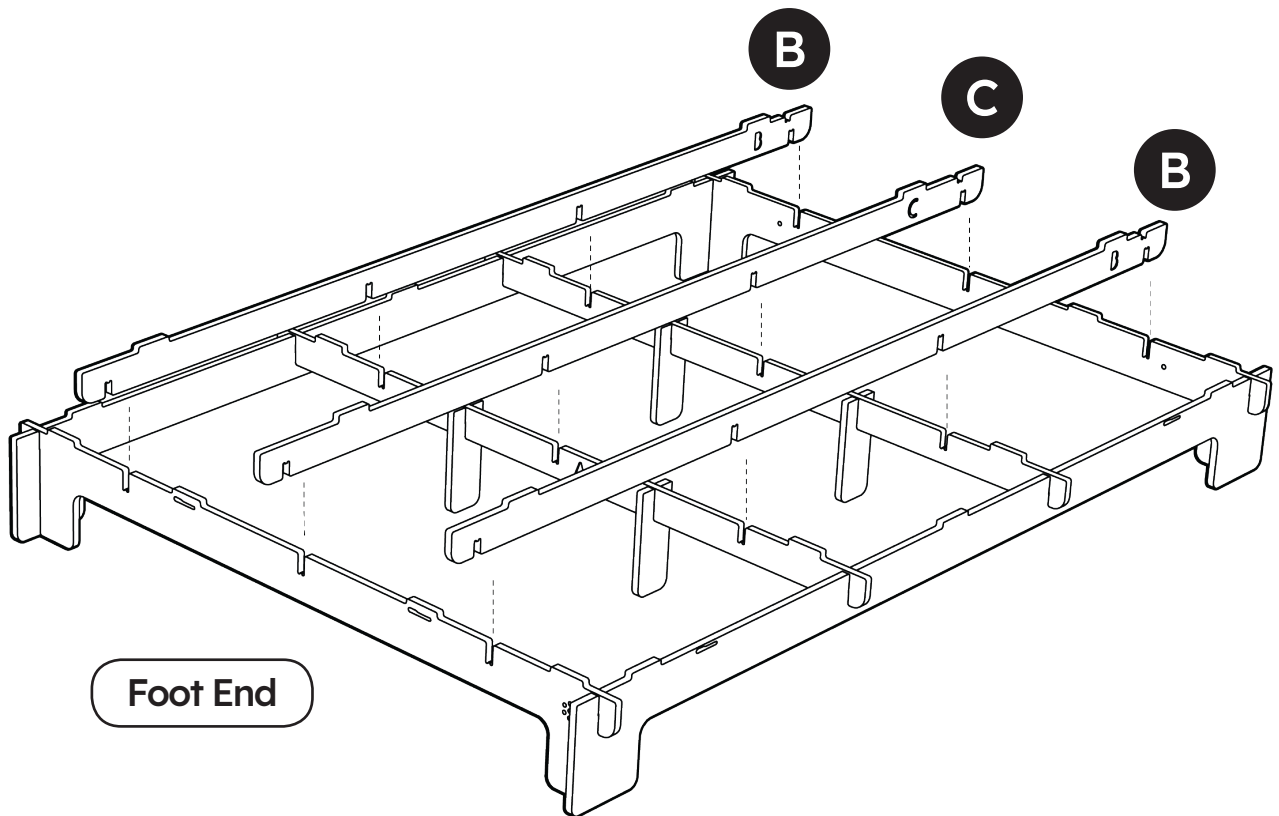
05

Attach cross-members



5.1

Slot Parts B and C into main bed frame and press down firmly

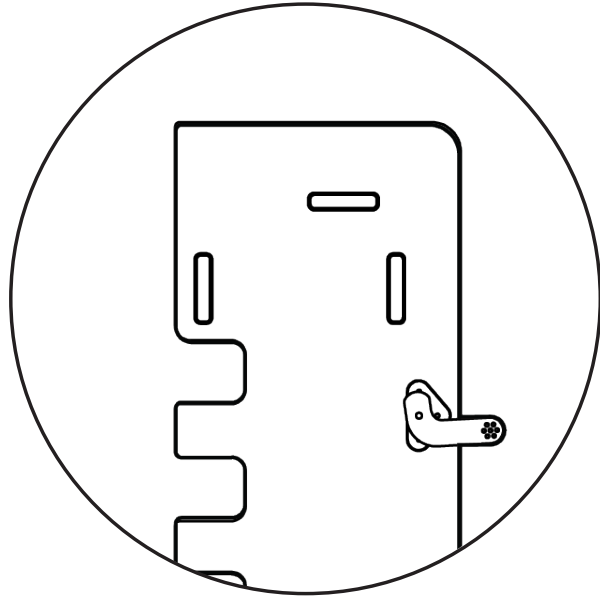
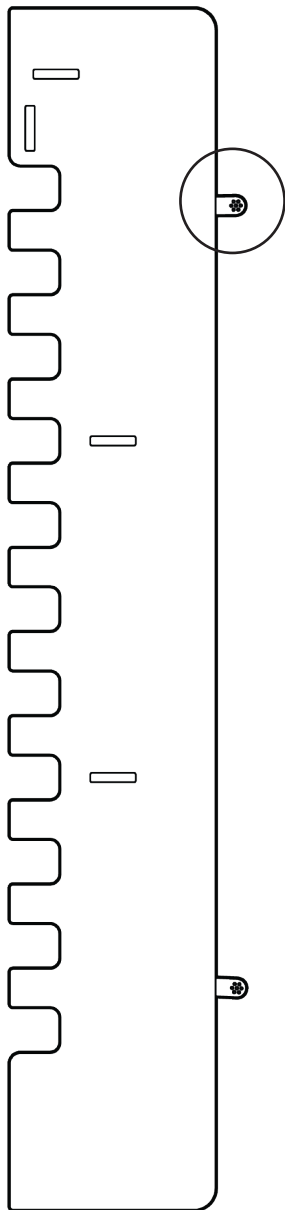


06

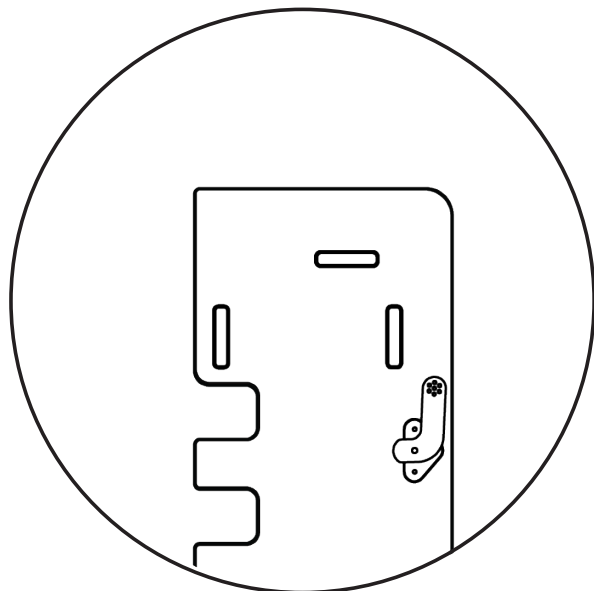
Unlock Quoll levers



6.1 Position all Quoll levers into the unlocked position



Unlocked



Locked

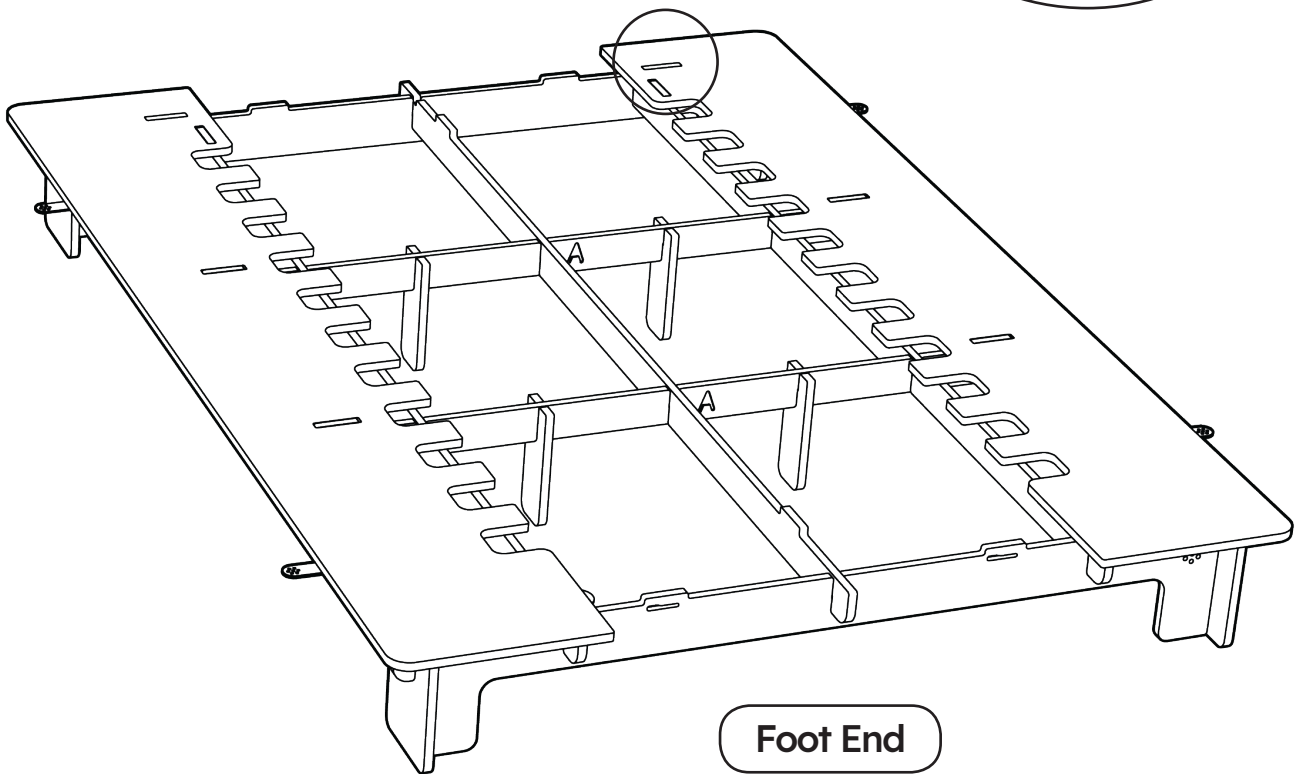
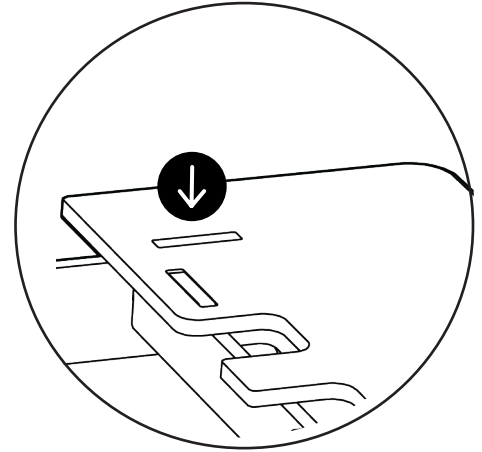
07

Install upper platform



7.1

Place the upper platform sides on the frame with the bed head slot positioned at the head end

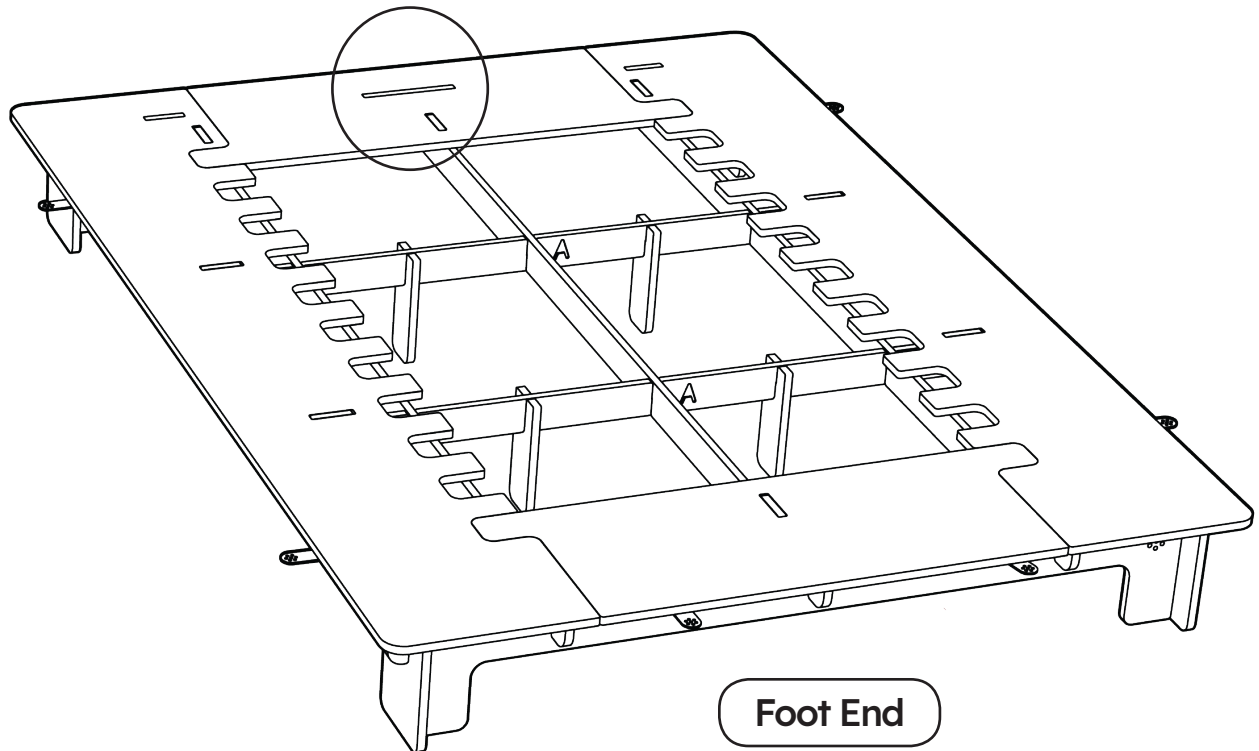
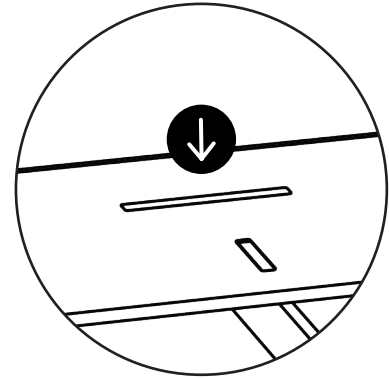


08

Install upper platform



- 8.1 Place the middle pieces on the frame with the long slot positioned at the head end

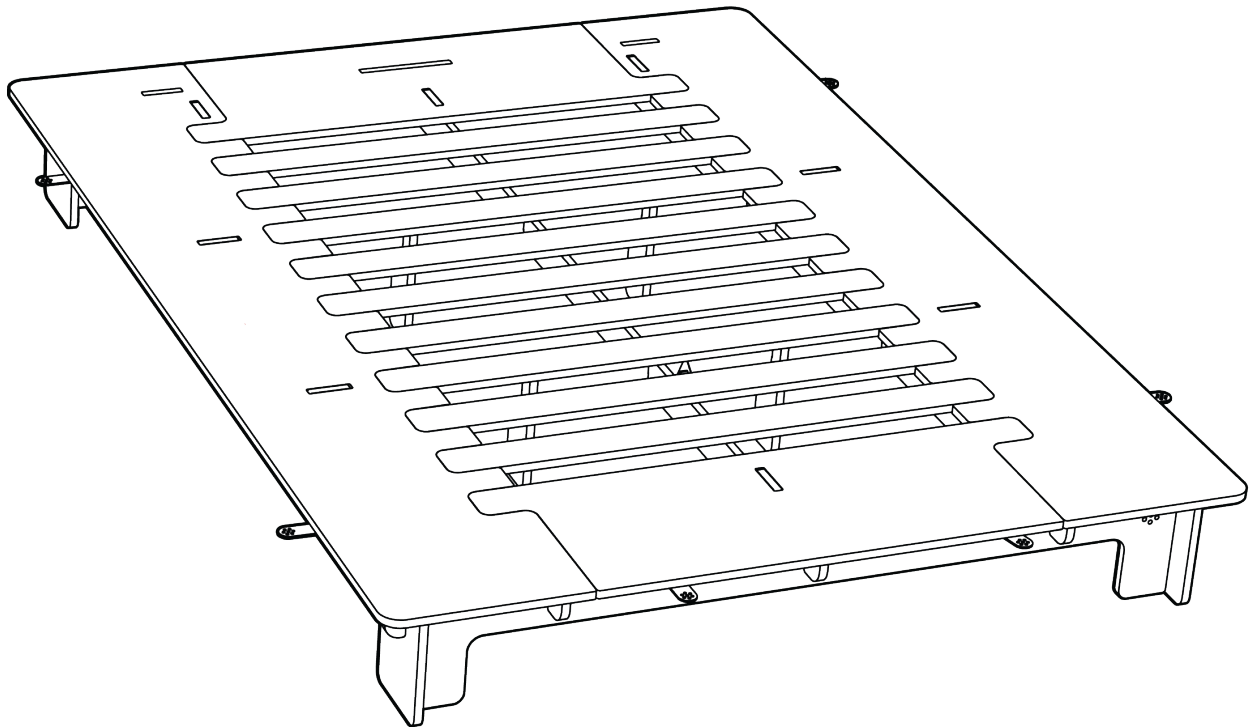


9

Install slats

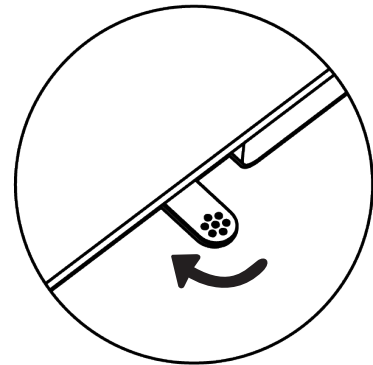


- 9.1** Place all slats into their position in the upper platform

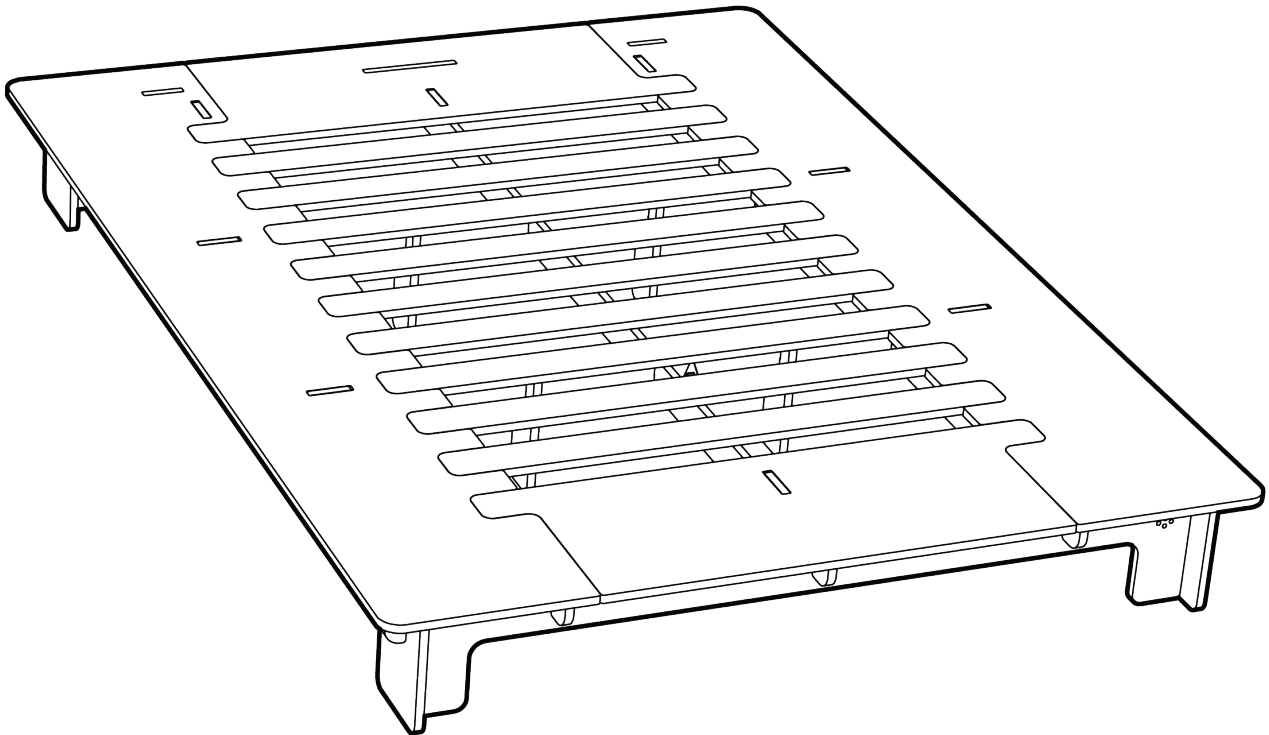


10

Lock down platform



10.1 Lock all the Quoll levers by rotating them clockwise



12

Care guide



For cleaning, use a damp cloth with normal dish washing water. After wiping, dry residual moisture with a cotton tea towel.

Avoid abrasive cleaners like AJAX and avoid cleaning with scourers as they will scratch the surface.

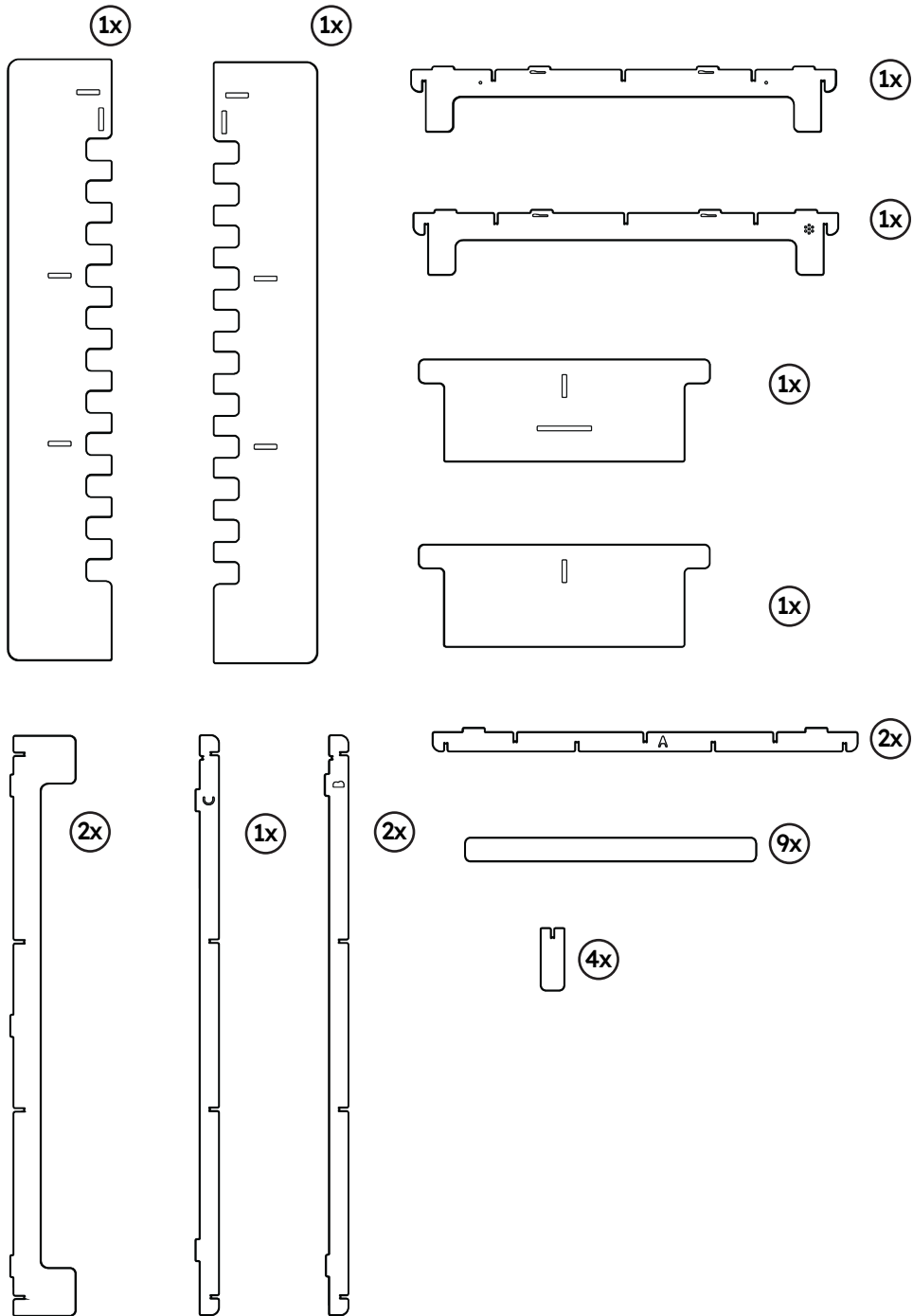
Dust with a dry tea towel or cotton cloth.

Spills should be cleaned up as soon as they happen using a cotton tea towel or kitchen sponge.

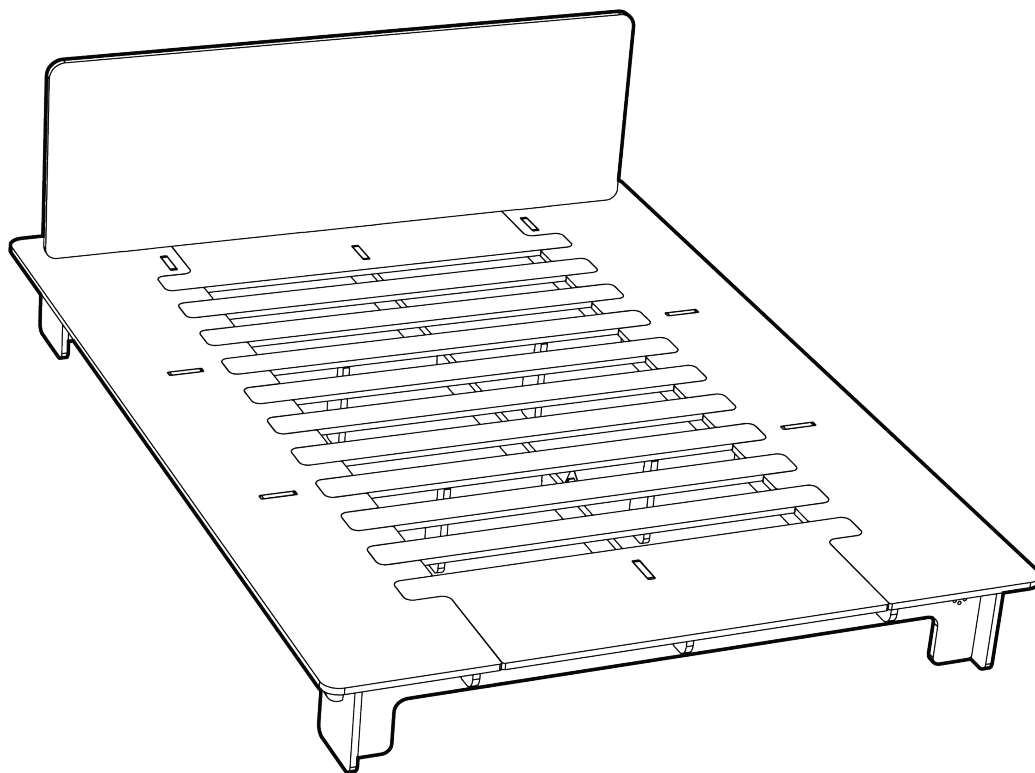
This bed is not for outdoor use, or for use in areas that are wet.

12

Parts list



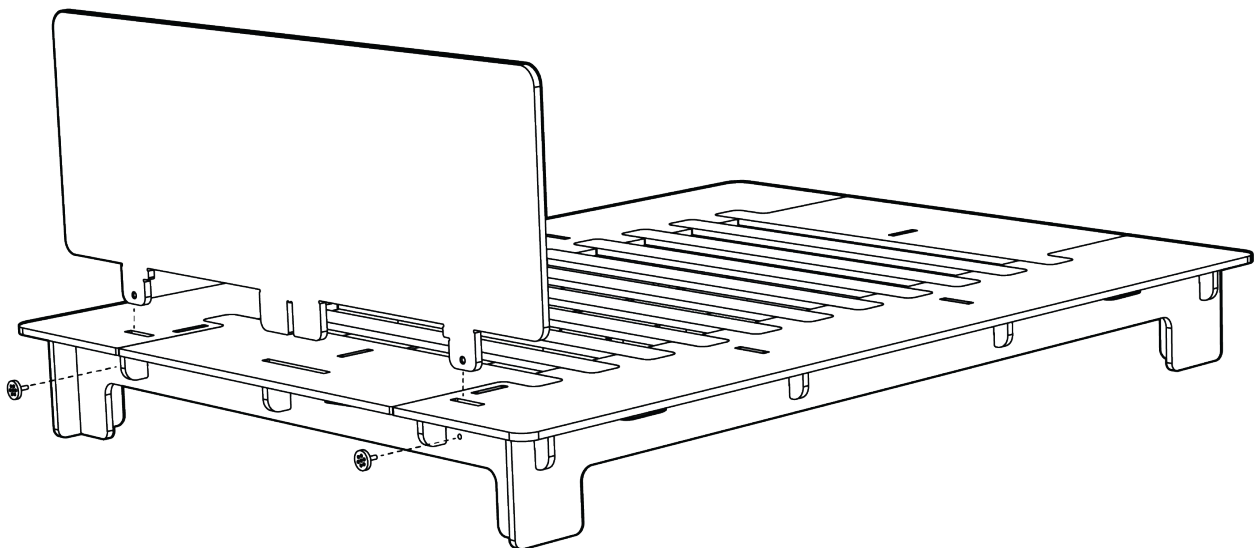
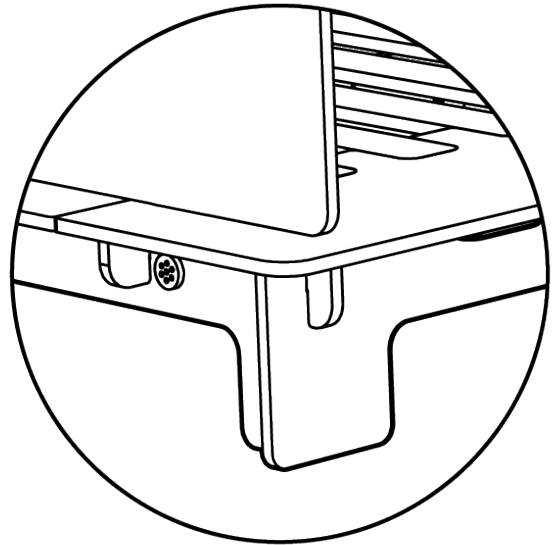
queen bed head

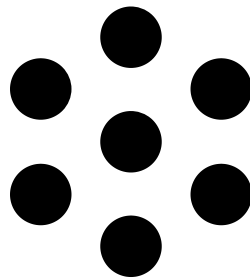


Assembly Steps



- 1** Place the bedhead into the slots in the upper platform, with the thread facing outwards. Insert the quoll wheels and hand tighten.





Thanks for purchasing quoll.
