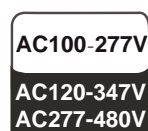
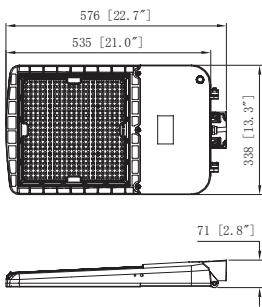


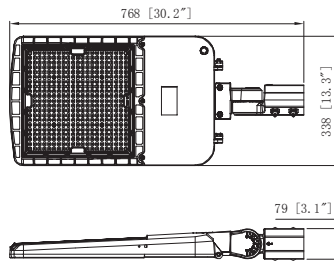
LED SHOEBOX LIGHT



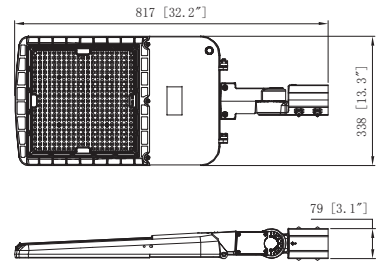
SL0824-240W
SL0830-300W
SL0824-240W-MV/HV
SL0830-300W-MV/HV



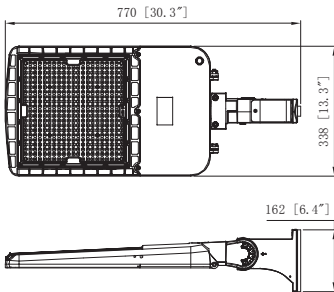
TYPE A



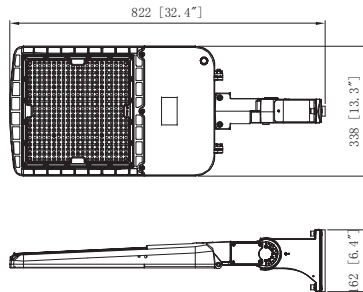
TYPE A2



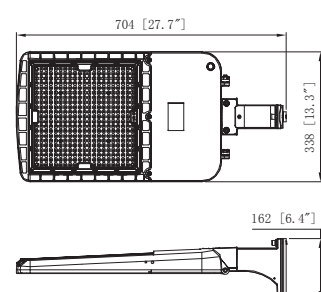
TYPE B



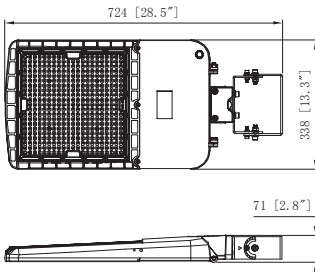
TYPE B2



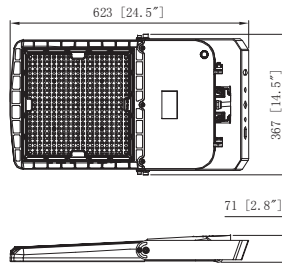
TYPE C



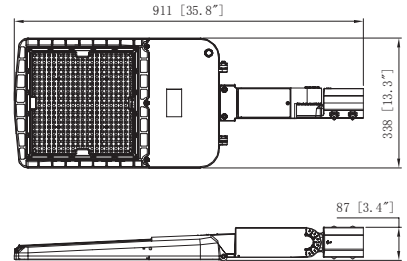
TYPE D



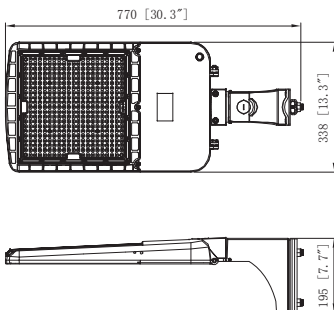
TYPE E



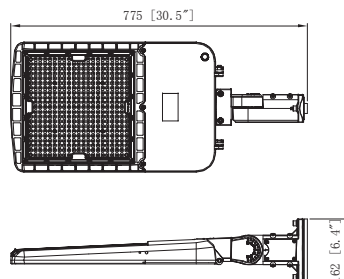
TYPE F



TYPE G



TYPE H



Lighting Parameters

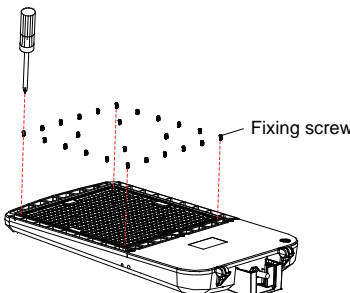
Part No.	Input Voltage	Frequency	Power	Rated Current
TS-XX0810-100W-X-XXK(XXX)	AC100-277V	50/60Hz	100W	1.1A
TS-XX0815-150W-X-XXK(XXX)			150W	1.65A
TS-XX0820-200W-X-XXK(XXX)			200W	2.2A
TS-XX0824-240W-X-XXK(XXX)			240W	2.64A
TS-XX0830-300W-X-XXK(XXX)			300W	3.3A
TS-XX0810-100W-X-MV-XXK(XXX)	AC120-347V	50/60Hz	100W	0.916A
TS-XX0815-150W-X-MV-XXK(XXX)			150W	1.375A
TS-XX0820-200W-X-MV-XXK(XXX)			200W	1.833A
TS-XX0824-240W-X-MV-XXK(XXX)			240W	2.2A
TS-XX0830-300W-X-MV-XXK(XXX)			300W	2.75A
TS-XX0810-100W-X-HV-XXK(XXX)	AC277-480V	50/60Hz	100W	0.397A
TS-XX0815-150W-X-HV-XXK(XXX)			150W	0.596A
TS-XX0820-200W-X-HV-XXK(XXX)			200W	0.794A
TS-XX0824-240W-X-HV-XXK(XXX)			240W	0.953A
TS-XX0830-300W-X-HV-XXK(XXX)			300W	1.2A

- ◆ where XX can be "SL" or "FL"; X can be "H", "L" or "HY" (Y=number);
 XXX can be any number for color temperature:40K,50K,57K,65K ,TCP ,TC ,TP
 TCP which means adjusting CCT and power;TC which means adjusting CCT;TP which means adjusting power
 (XXX) can be blank = no sensor function, PIR = PIR sensor,PTC = Photocontrol,
 MS = Microwave sensor,PIP = PIR sensor and Photocontrol, MSP = Microwave sensor
 and Photocontrol, PR = PR Motion Sensor, PSC = Photocontrol socket and shorting cap,
 BT = Bluetooth Motion Sensor. BTP=Bluetooth motion sensor and Photocontrol

Lamp Bead Model	/			
Certificates	UL			
Lighting Angle	TYPE II / TYPE III / TYPE IV/ TYPE V			
Lighting Efficiency	> 130Lm/W			
Color Rendering Index	Ra>70			
Working Temperature	-40°F ~+113°F / -40°C ~ +45°C			
Storage Temperature	-40 °F ~+158 °F / -40°C ~ +70°C			
Environment Location	WET LOCATIONS (IP65)			
Life span	>50000H			
Lamp shell	Brown			
Accessories options	Photocell;Shorting cap;Surge protector			
	PIR senser;Motion sensor			
	Waterproof cover plate of photocell hole			
Accessories mounting brackets	TYPE A (Slip-fitter) 	TYPE A2 (Slip-fitter) 	TYPE B (Square/Round pole mount with slip-fitter function) 	
	TYPE B2 (Square/Round pole mount with slip-fitter function) 	TYPE C (Square/Round pole mount) 	TYPE D (Trunnion) 	
	TYPE E (Yoke) 	TYPE F 	TYPE G 	TYPE H 

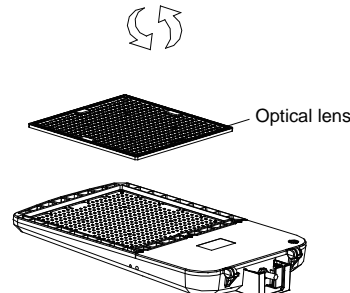
Operation Instruction of Rotating Optical Lens

Step 1. First loosen the screws on the lens screws, as shown in the figure;



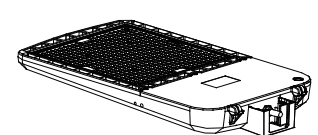
Fixing screw

Step 2. Remove the optical lens, rotate it clockwise or counterclockwise to a desired angle, as shown in the figure;



Optical lens

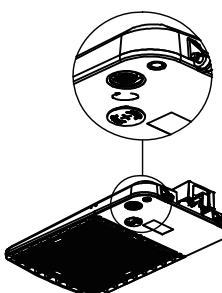
Step 3. Put back the adjusted optical lens, lock screws back, as shown in the figure.



Watts selected Operation Manual

Notes: CCT selectable only and Wattage selectable only versions are also available.

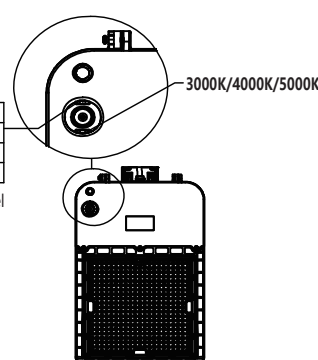
1. Take of the waterproof rubber cover from the wattage-box.



2. Select the wattage by using the slide switch.

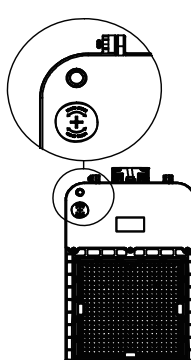
70W/100W/150W
100W/150W/200W
150W/200W/240W
200W/240W/300W

Watts indicating label

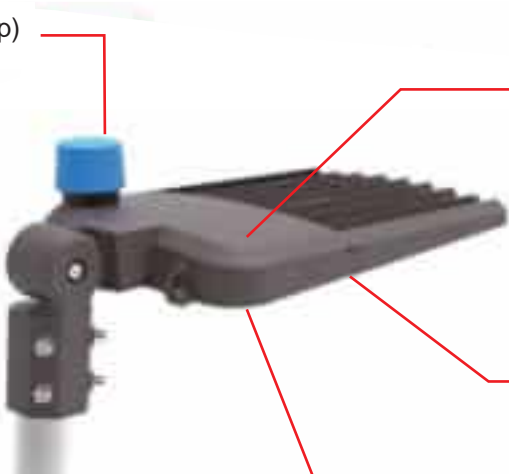


3000K/4000K/5000K


3. Put back the waterproof rubber cover.




Extended function ■ ■




(Cover plate, Photocell, Shorting cap)



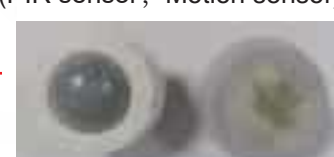
(Surge, lighting arrester)



(Respirator)



(PIR sensor, Motion sensor)



Packing/Weight

The fixture and bracket will be packed separately.

Fixture	Outer box (L*W*H)	Qty/Ctn (pcs)	N.W/pcs (lbs/Kg)	G.W/pcs (lbs/Kg)	Remarks
100W	17.13"*11.42"*4.8"	1	5.29/2.4	7.05/3.2	1.0M cable
150W	435*290*122mm	1	5.51/2.5	7.28/3.3	
200W	19.4"*12.91"*4.8" 493*328*122mm	1	6.5/2.95	8.49/3.85	
240W	23.94"*14.88"*5.2"	1	10.14/4.6	12.35/5.60	
300W	608*378*132mm	1	10.36/4.7	12.57/5.70	

Bracket	Outer box (L*W*H)	Qty/Ctn (pcs)	N.W/pcs (lbs/kg)	G.W/Ctn (lbs/kg)
TYPE A	15.0"*9.3"*10.0" 380*236*255mm	8	2.9/1.3	25.1/11.4
TYPE B	17.3"*13.9"*10.2" 440*352*260mm	8	3.97/1.8	34.0/15.4
TYPE C	16.5"*13.9"*7.7" 420*352*196mm	8	2.65/1.2	23.1/10.5
TYPE D	14.76"*11.8"*8.43" 375*300*214mm	8	3.31/1.5	29.1/13.2
TYPE E (100/150W)	19.13"*11.02"*9.29" 486*280*236mm	8	1.65/0.75	16.53/7.5
TYPE E (200W)	19.13"*12.45"*10.12" 486*317*257mm	8	1.76/0.8	17.86/8.1
TYPE E (240/300W)	19.13"*14.45"*12.68" 486*368*322mm	8	2.31/1.05	22.5/10.2
TYPE F	15.59"*14.3"*8.66" 396*364*220mm	8	4.9/2.2	41.9/19.0
TYPE G	16.54"*10.20"*16.61" 420*259*422mm	8	4.2/1.9	36.6/ 16.6
TYPE H	19.92"*8.5"*14.17" 506*216*360mm	8	3.97/1.8	34.8/ 15.8

Safety Information

- Using the standard working voltage: AC100~277V/120-347V/277-480V, 50/60Hz, do not exceed.
- Be sure the power supply is turned off before installation.
- Switch off power of the mains supply or the connection lead respectively before doing any works.
- Please note waterproof, dustproof, electricity prevention and shockproof for the external power wires.
- Directly fix bolts on the installation stem through the hole on the mounting bracket.
- Be sure the connection between the wires is in good condition when install the lamps, beware of leakage.
- Please read the specification carefully before installation.
- The complete installation must be handled by an electrical expert.