







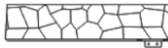

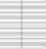





Assembly Instructions

3 in 1 Fire pit

Please check all packing material carefully before discarding, as some parts may be encased in the packing material.

We have been working on providing high quality products for you. However, in the rare instance that your product is defective, missing parts or there are some issues during assembly, please don't hesitate to contact our customer service to submit parts requirements, assembly suggestion, or warranty claims, and we will give the best solution in the first time. If necessary, we need you to provide some more clear pictures of the issue.

Part List

Part List	Description	Qty.	Drawings
①	Mesh Lid	1	
②	Iron Grate	1	
③	Poker	1	
④	Protective Cover	1	
⑤	Frame Support Part	4	
⑥	Leg	4	
⑦	Top Frame	4	
⑧	Fire Bowl	1	
⑨	BBQ Grill	1	
⑩	Ice Bowl	1	
A	Bolt	36	
B	Nut	1	
C	Lid Ring	1	
D	Allen Wrench	1	

Tool required: Allen Wrench (provided)

Special Warnings

- Check local bylaws before using the fire pit.
- This fire pit is intended for Outdoor Use Only! DO NOT use on wooden decks.
- This fire pit is intended to Burn Wood Log and Charcoal! DO NOT burn other flammable or combustible materials such as alcohol, gasoline in the fire pit.
- NOT for use by children. Keep children and pets away from the fire pit.
- Fire pit is hot, use with caution. NEVER touch hot fire pit with bare hands.
- NEVER leave burning fire pit unattended and always extinguish fire completely before leaving the fire pit.
- Maintain a minimum of 5 FT from any structure!
- DO NOT use near flammable or combustible objects or materials.
- Only CHROMED PLATED COOKING GRID is intended for cooking. LOG GRATE is NOT intended for cooking and SHOULD NOT be used for this purpose.

Operation Instructions

- Place logs on grate and light with match. DO NOT overload logs.
- Please use Poker (provided) when handling.
- We do not recommend pouring water over the fire unless necessary. The fire should be allowed to expire on its own.

Care and Maintenance

This fire pit is a quality-built product and is made to last for many years. The frame structure of this unit is made of powder-coated steel extrusion and should resist rusting under normal use. Should rusting occur, we suggest using a steel brush on the affected area followed by a spray coating of high temperature anti-rust paint. For additional rust proofing of the bowl, grate and mesh lid we recommend that a coat of high temperature primer (such as rustoleum or similar brand) is applied **before** use.

You may cover the fire pit with a Protective Cover when the fire pit is not in use. Ensure the fire pit has completely cooled down before using the Protective Cover.

Assembly Instructions

Estimated Assembly Time: 20 Minutes

DO NOT over tighten hardware!

Step 1: Place parts on a smooth even surface, Fix 4 pieces Top Frame (7) by using Bolt (A) into Square frame. (View Fig.1)

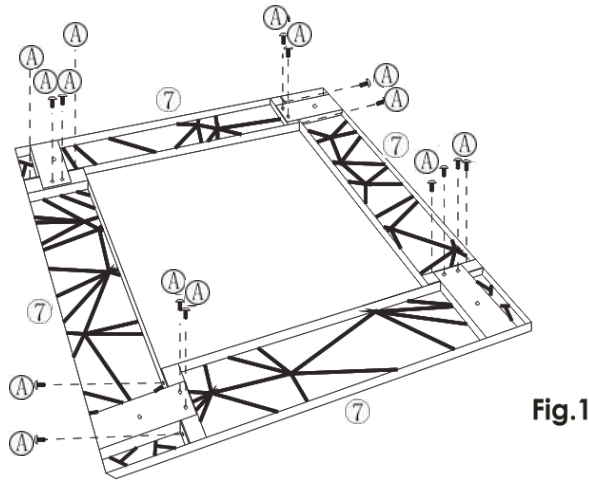


Fig.1

Step 2: Attach Frame Support Parts (5) to Legs (6) by using Bolts (A), Hand tighten! (View Fig.2).

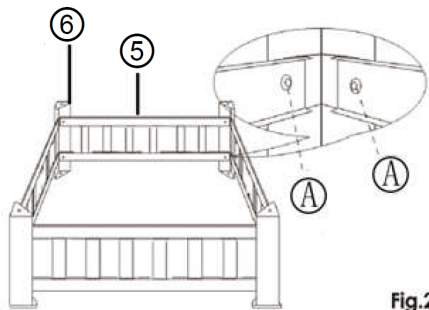


Fig.2

Step 3: Attach Legs (6) to Top Frame (7) with Bolts (A). Tighten all hardware accordingly with an Allen Wrench (D) (provided) and adjustable wrench until all pieces fit together securely. Turn the assembled fire pit frame over so that it sits securely (legs down) on a flat surface. (View Fig. 3)

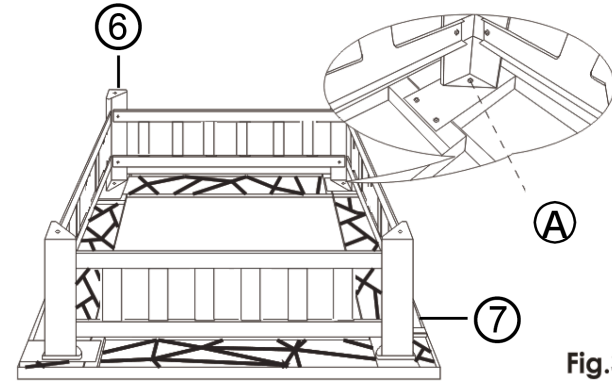


Fig.3

Step 4: For Fire pit : Place Fire Bowl (8) in the center of Top Frame (7) and put Iron Grate (2) and BBQ Grill (9) in the Fire bowl (8). Mount Lid Ring (C) on the Mesh Lid (1) by Bolt (B), then place the assembled Mesh Lid over the Fire bowl (8)

For Cooler: Place Ice Bowl (10) instead of Fire Bowl (8) in the center of Top Frame. (View Fig. 4)

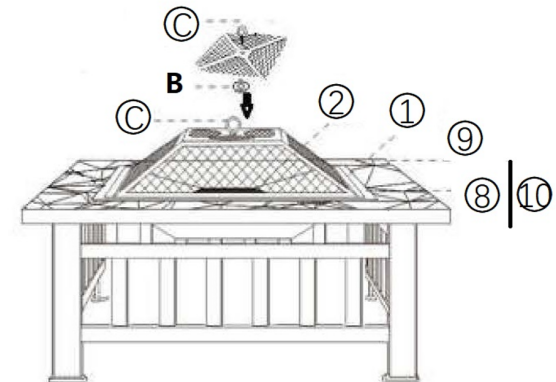


Fig.4

Step 5 Cover the firepit with a Protective Cover (④) when the fire pit is not in use. Ensure the firepit has completely cooled down before using the Protective Cover



Your FIRE PIT ,BBQ and Cooler are ready for use!

Manufacturer : UHOMEPRO INC

Manufacturer Address : 1833 N CLARKSON STDENVERColorado 80218

E-mail : services@uhomepro.com