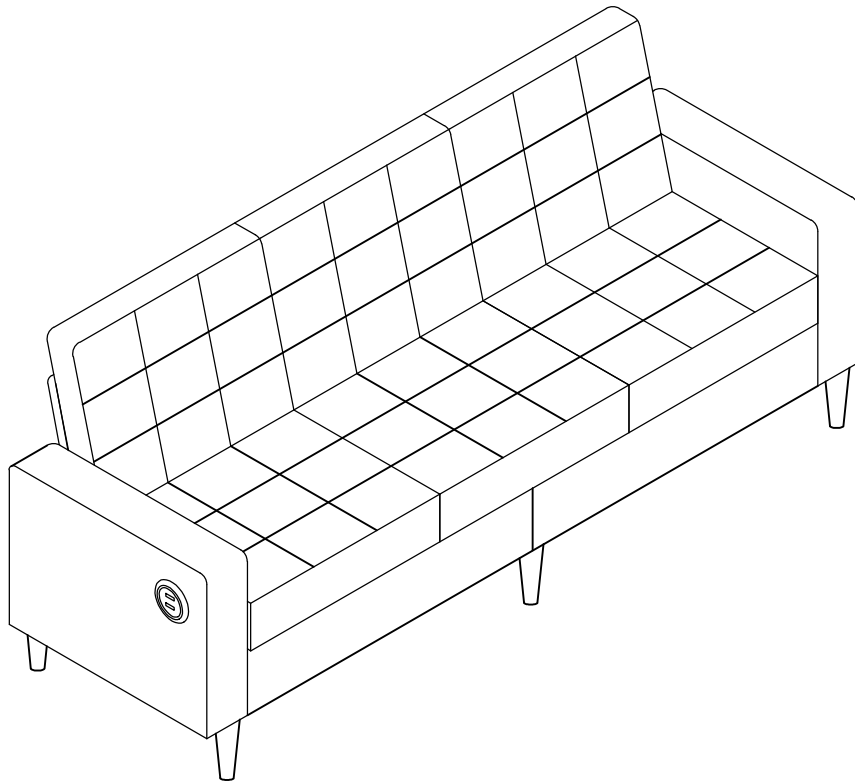


# ASSEMBLY GUIDE

## Product display



- 
- If you have any question please feel free to contact us, We will provide further assistance within 24 hours.

# **SAFETY AND CARE ADVICE**

**Thanks for your purchase. Before the assembly.**

Please follow the instruction to check if all the spare parts and screws are intact.

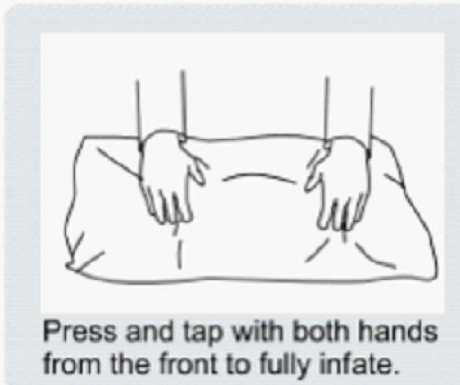
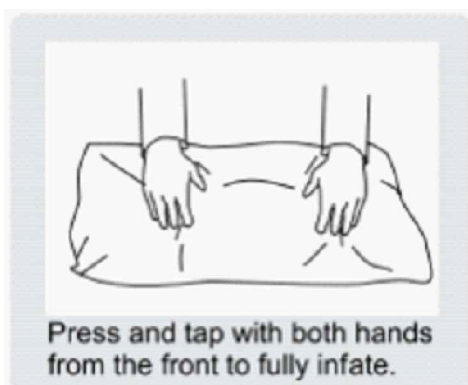
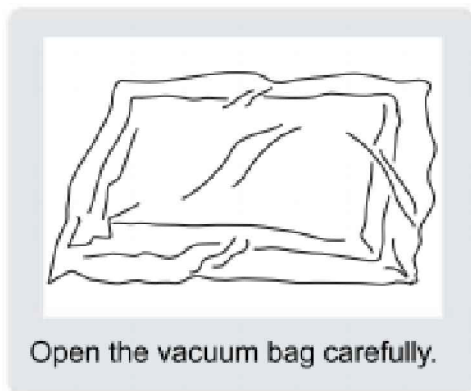
Please read installation steps carefully to make sure you understand the installation sequence.

- Please unpack the package and check the spare parts and screws after you have received.
- Please do not throw any of the package or the instruction until you have checked all the components and hardware and the furniture is fully assembled. please ensure that the package is disposed in a safe and environmentally friendly.
- Considering the size and weight of the sofa, we recommend two adults to assemble the sofa. Approximate assembly time: 20 minutes.
- keep all components and packaging out of reach of children or animals to avoid risk of choking or suffocation.

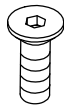
# PACK UP CARE

Your cushions and pillows come vacuum packed and sealed for shipping. For restoring the cushions and pillows to original shape. Follow the steps below.

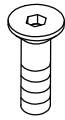
- Remove the plastic bag avoid using sharp instruments or knives etc. to scratch the fabric.
- Open the sealed bag after the sofa will immediately rebound part, keep the environment ventilated and dry, tap the sofa to help regain full elasticity. after 72 hours the sofa will be basically rebound completely.
- The fabric can be ironed using a garment steamer to make it smooth faster.



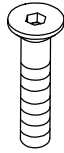
## Hardware parts



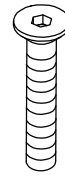
**M8\*18**  
**A. x12**



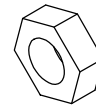
**M8\*35**  
**B. x6**



**M8\*45**  
**C. x8**



**M8\*65**  
**D. x1**



**M8**  
**E. x1**

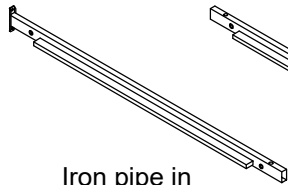


**M8**  
**F. x1**

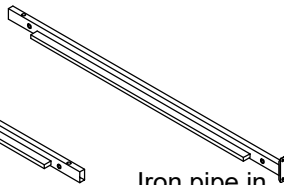


**M8**  
**G. x1**

## Main Structural accessories



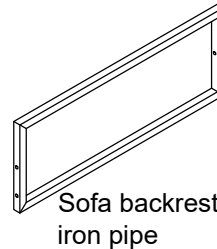
Iron pipe in front of sofa  
**①. x2**



Iron pipe in front of sofa  
**②. x2**



Iron pipe connector in front of sofa  
**③. x1**



Sofa backrest iron pipe  
**④. x2**



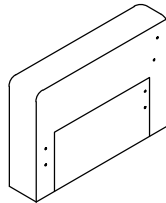
Backrest iron pipe connector  
**⑤. x2**



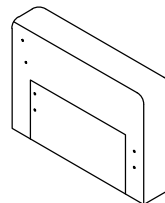
sofa leg  
**⑥. x5**



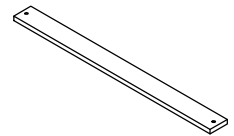
Sofa foot pads  
**⑦. x5**



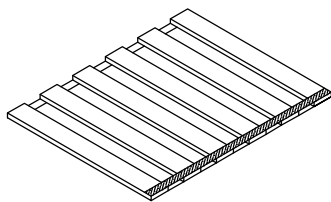
Sofa armrest right  
**⑮. x1**



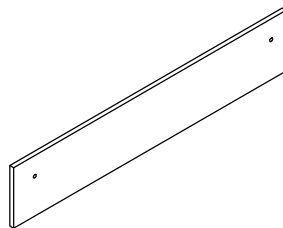
Sofa armrest left  
**⑯. x1**



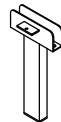
Load-bearing plate  
**⑰. x1**



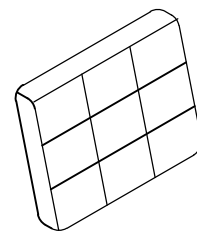
a bundle of load-bearing plates  
**⑱. x2**



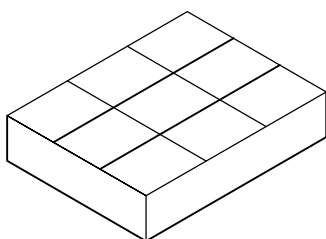
Sofa front edge panel  
**⑲. x2**



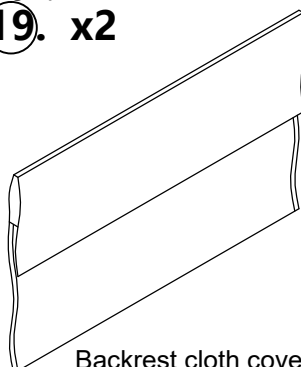
Connecting support feet behind the sofa  
**⑳. x1**



Backrest pillow  
**㉑. x3**



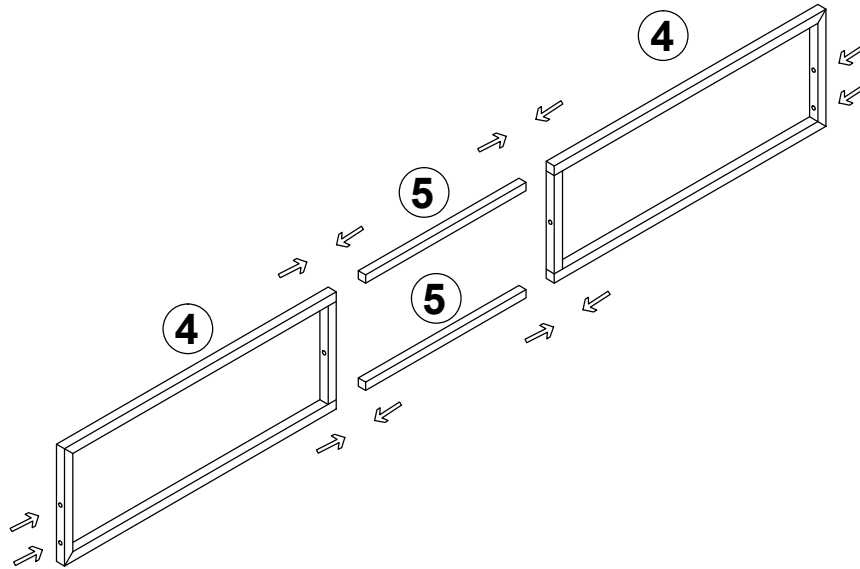
cushion  
**㉒. x3**



Backrest cloth cover  
**㉓. x1**

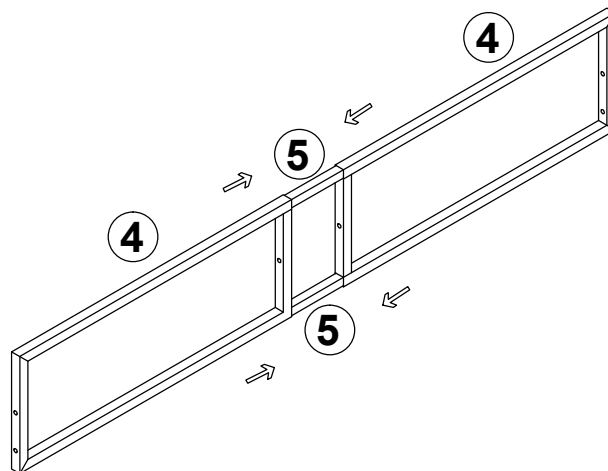
# INSTALLATION STEPS

## Step:1



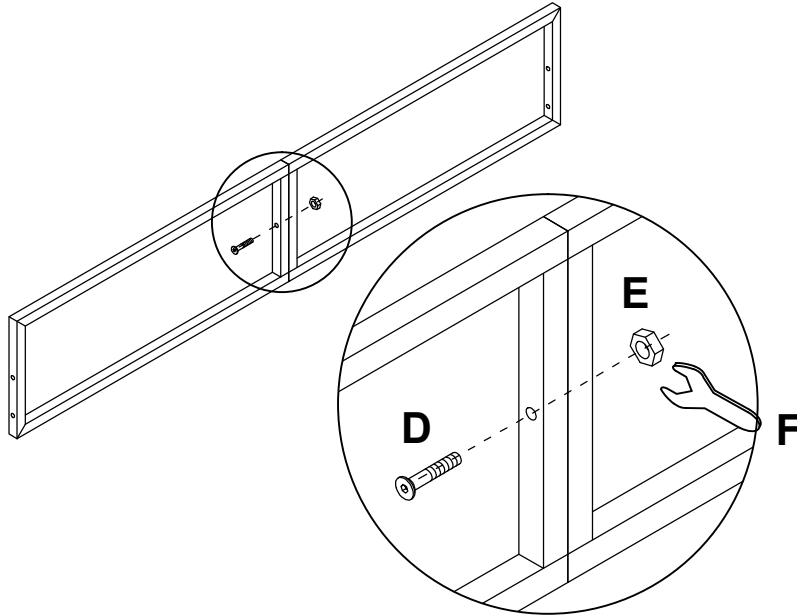
Please pay attention to the screw hole position during installation.

## Step:2

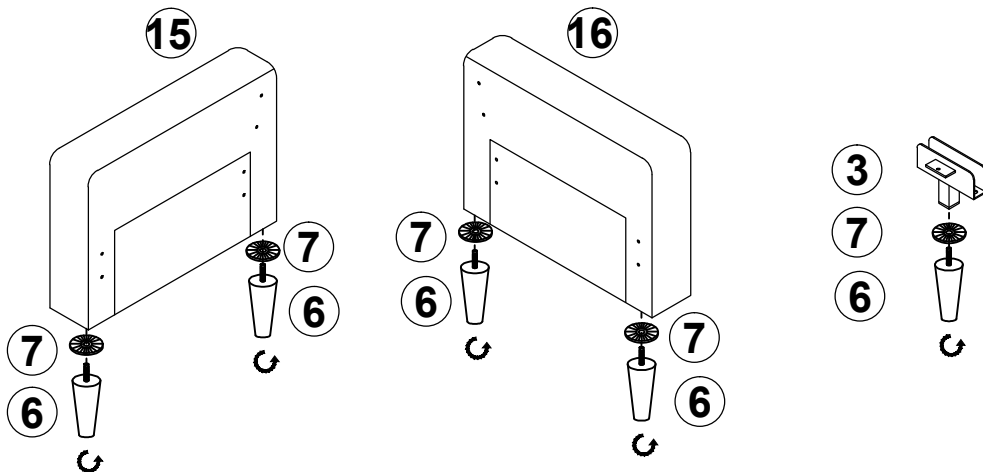


# INSTALLATION STEPS

## Step:3

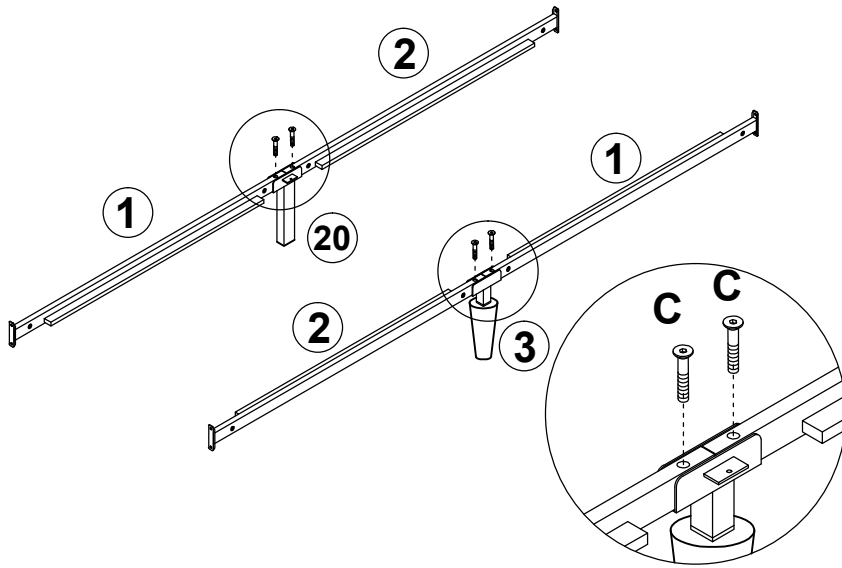


## Step:4

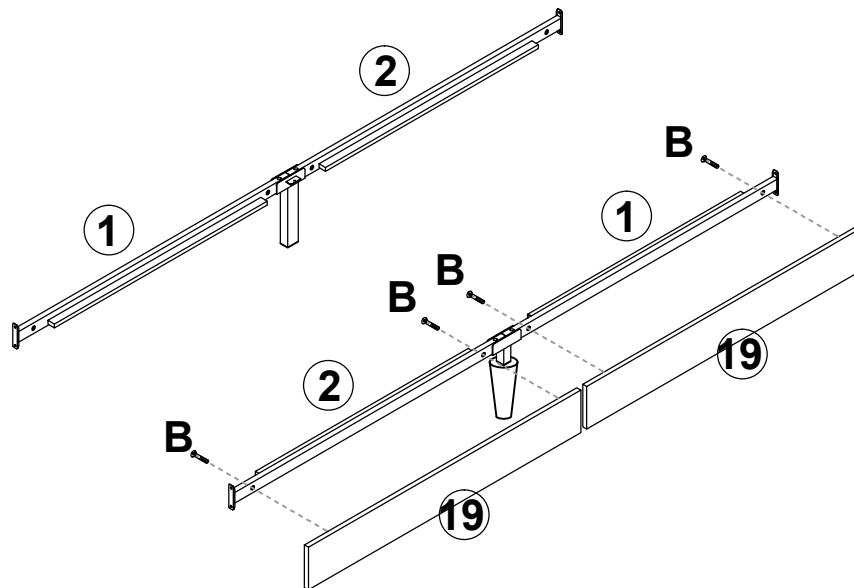


# INSTALLATION STEPS

## Step:5

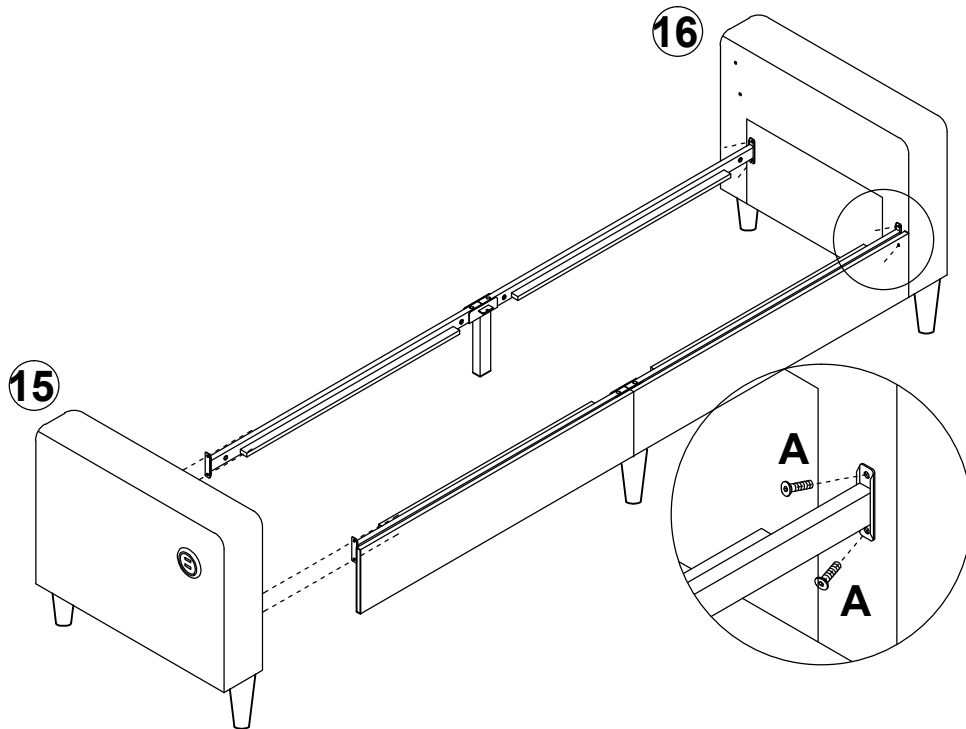


## Step:6

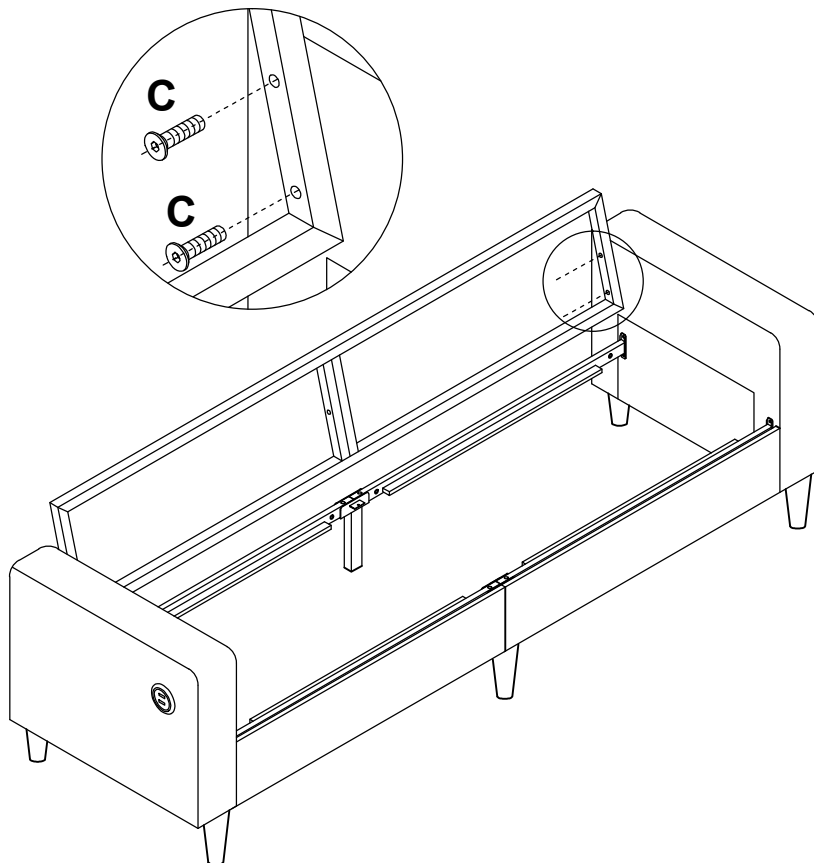


# INSTALLATION STEPS

## Step:7



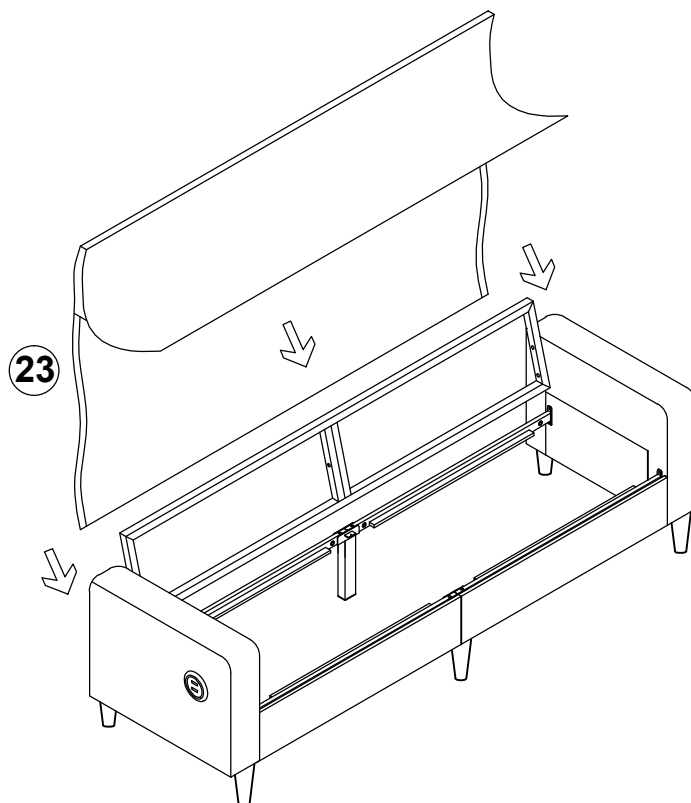
## Step:8





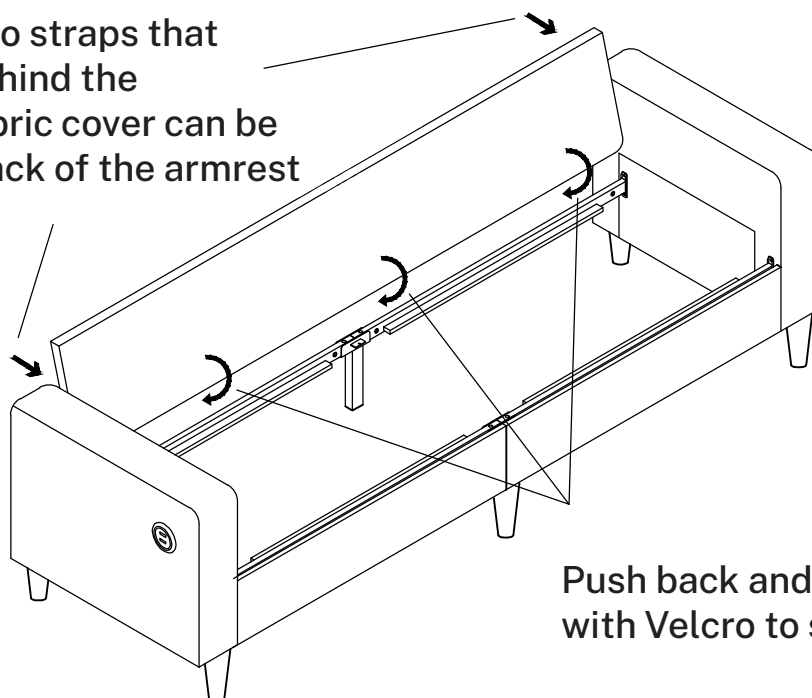
# INSTALLATION STEPS

## Step:9



## Step:10

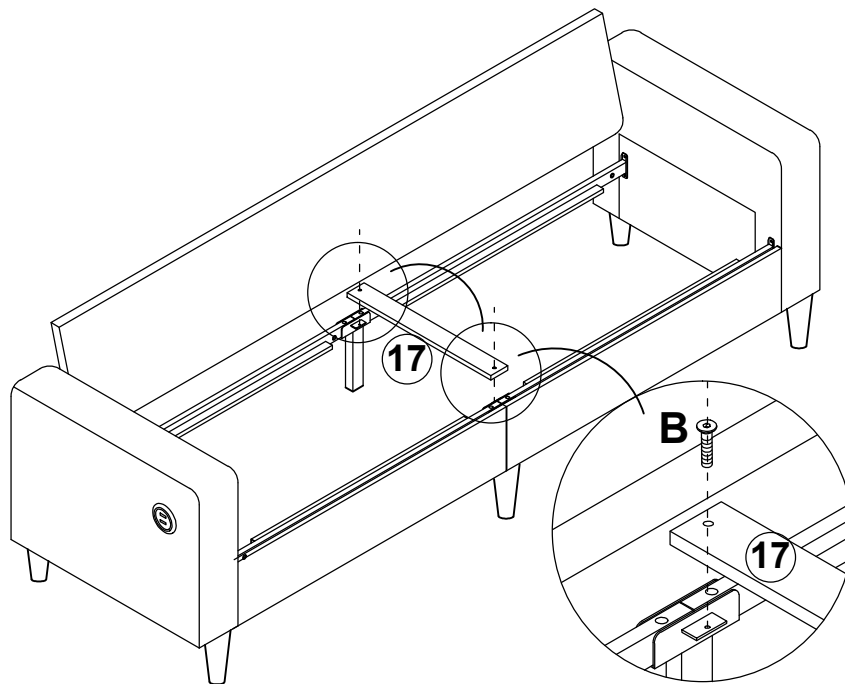
There are also Velcro straps that come down from behind the armrest, and the fabric cover can be fully glued to the back of the armrest



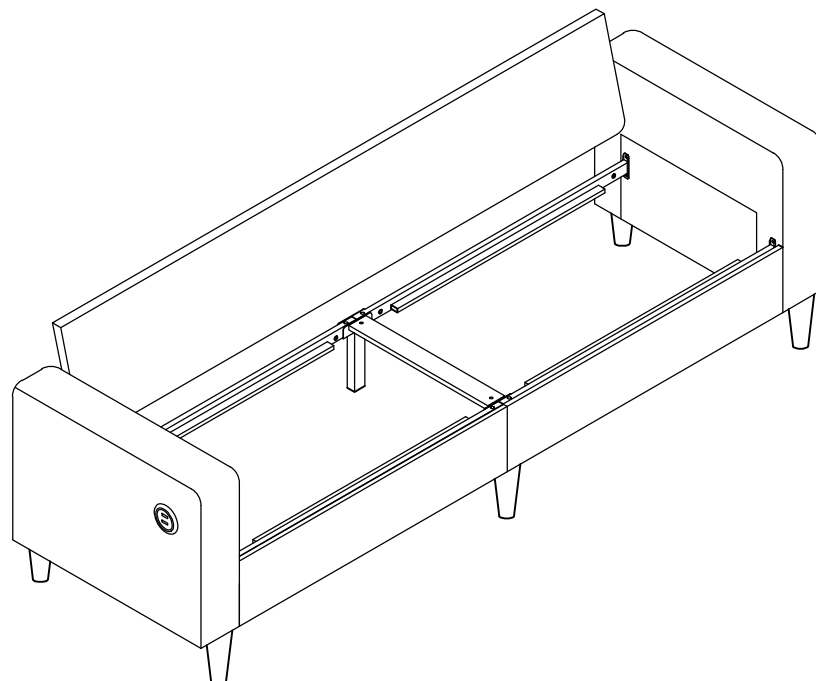
Push back and stick, with Velcro to stick on

# INSTALLATION STEPS

## Step:11

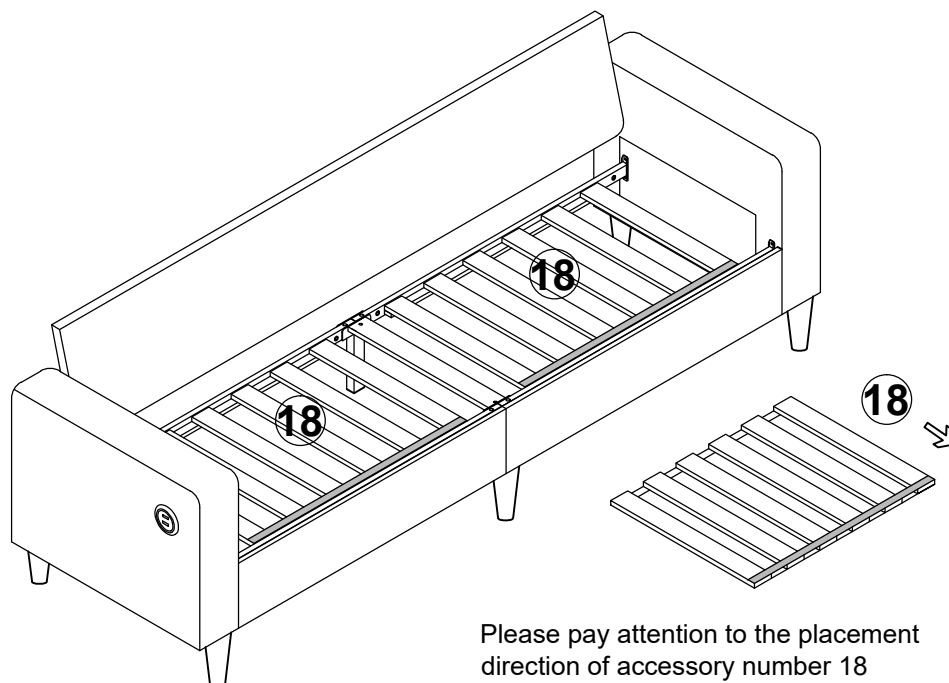


## Step:12



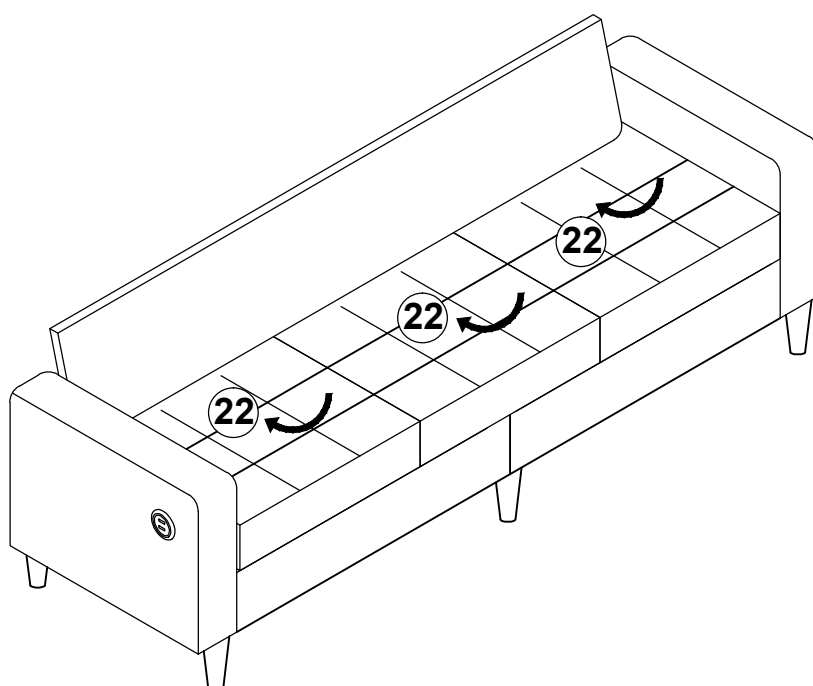
# INSTALLATION STEPS

## Step:13



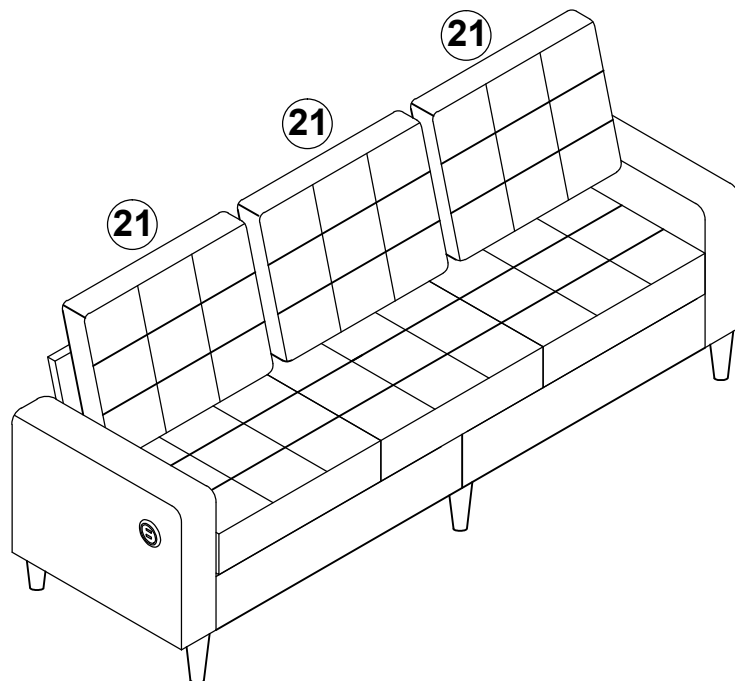
Please pay attention to the placement direction of accessory number 18

## Step:14

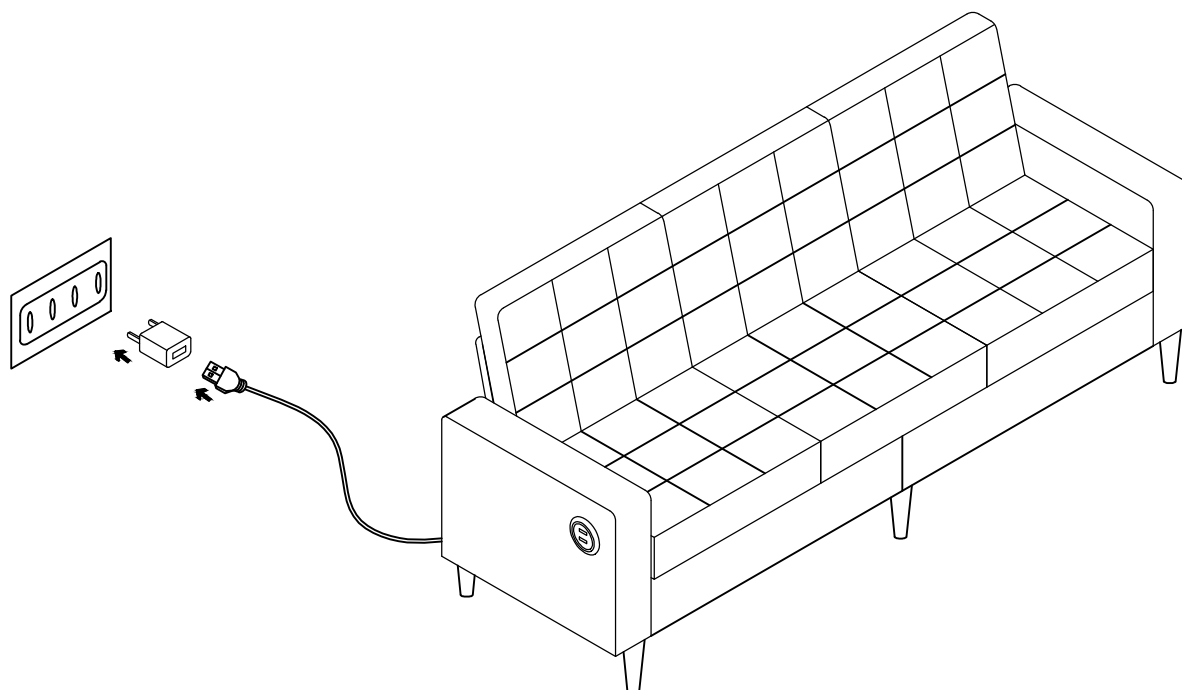


# INSTALLATION STEPS

## Step:15



## Step:16



This product does not come with a USB adapter, please provide it yourself.  
Plug the USB socket into the USB power adapter, The blue indicator light on is right.