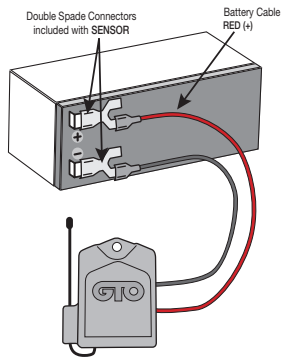
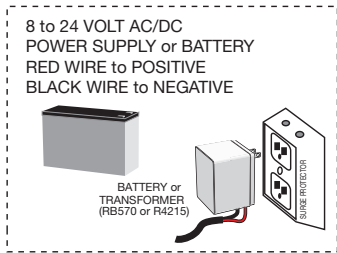
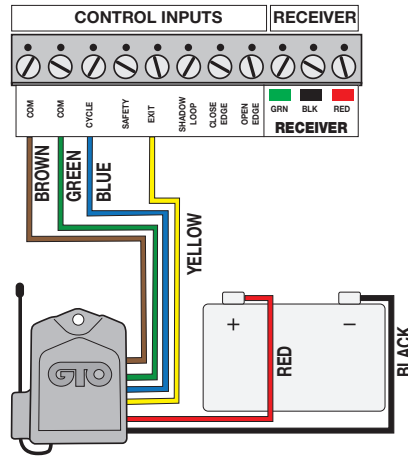


## Wiring Receiver to Operators with R4211 and R5211 Control Boards



Example Operators: MM560, MM562, MM660,  
PRO-SW4000XLS Series, PRO-SW3000XLS  
Series, PRO-SW4000XL Series, PRO-  
SW3000XL Series, PRO-SW2000XL Series,  
PRO3000 Series and PRO4000 Series



# RB709U-NB

## Relay Output Universal Receiver

### Specifications

#### Compatible transmitter:

- GTO gray narrow band transmitters (318MHz)

#### Power input:

- 8-24 V ac/dc, 10ma standby, 40ma activated (Red & Black wires).

#### Outputs: 2 channels pulsed outputs

- 2 channels dry-contact normally open relay outputs.
- Channel 1: Blue (N/O Contact) & Green (COM) wires.
- Channel 2: Yellow (N/O Contact) & Brown (COM) wires.
- Activated for .5 seconds when the correct transmitter code is received.
- Relay switching maximum rating: 24Vac/dc @ 1A.
- Operating Range 50 to 100 feet (15.2 to 30.5 m)

#### Indoor/Outdoor compatible.

#### Mount receiver at least 3 feet from AC power source.

#### FCC Regulation

This device complies with FCC rules Part 15. Operation is subject to the following conditions:

1. This device may not cause harmful interference.
2. This device must accept an interference that may cause undesired operation.

Transmitter distance may vary due to circumstances beyond our control. NOTE: The manufacturer is not responsible for any radio or TV interference caused by unauthorized modifications to this equipment. Such modifications could void the user's authority to operate the equipment.



## Owners Manual



Mighty Mule Sales: 800-543-4283 | Mighty Mule Technical Service 800-543-1236  
For more information on Mighty Mule's full line of Automatic Gate Operators, Gate Openers and Access Controls visit  
[www.mightymule.com](http://www.mightymule.com)



©2021 NorTek Security & Control LLC. All rights reserved.  
Mighty Mule and GTO are registered trademarks of NorTek Security & Control LLC.



Know what's below.  
Call before you dig.

## DESIGNED TO WORK WITH MOST BRANDS OF GATE AND DOOR OPENERS

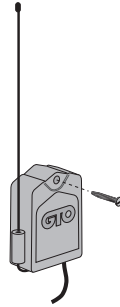
The RB709U-NB digital receiver is a wireless radio control designed for use with automated gate openers and garage door openers. The receiver has two channels for receiving signals from two activation devices; i.e. transmitters, multi-button transmitters, wireless keypads, etc.

### Mounting the Receiver

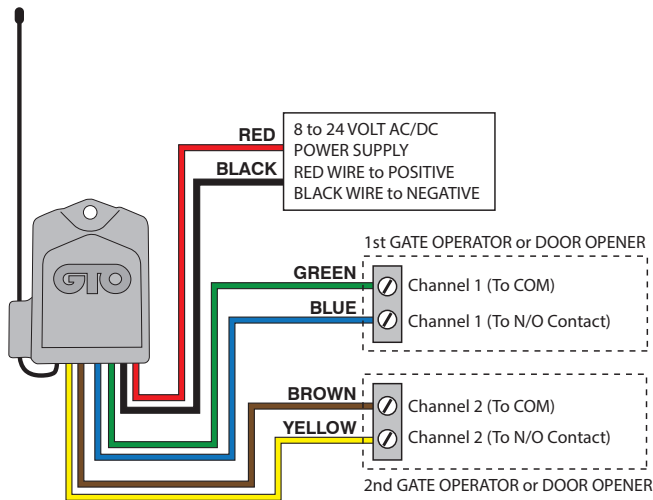
Consider the following when mounting the receiver:

- Standard receiver cable length is 10 feet (3.05 m).
- For exterior applications run the cable through PVC conduit to protect it from damage.
- DO NOT run cable in conduit containing AC wiring.
- The receiver range can vary from 50 to 100 feet (15.2 to 30.5 m) depending upon weather, topography and external interference.

**NOTE:** Do not mount upside down in exterior applications.



### Connect Receiver to Relay Inputs and Power



### Programming the Receiver

Programming transmitter(s) or other access devices to RB709U-NB receiver:

- Press and hold the transmitter (device) button to be learned.
- Press the 'LEARN CH1' (or 'LEARN CH2') button on the RB-709U-NB receiver for 1-2 seconds or until the red LED turns on, then release the button.
- **Note:** When the correct code is received and the corresponding relay output is activated, the red LED will turn on.

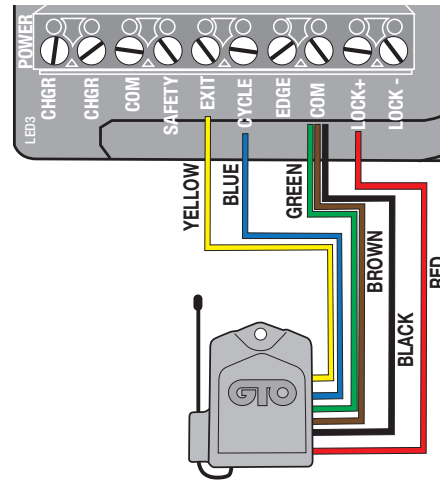
Check operation after programming:

- Press Transmitter (device) button, #1 - RED LED blinks once to confirm.
- Press Transmitter (device) button, #2 - RED LED blinks twice to confirm.

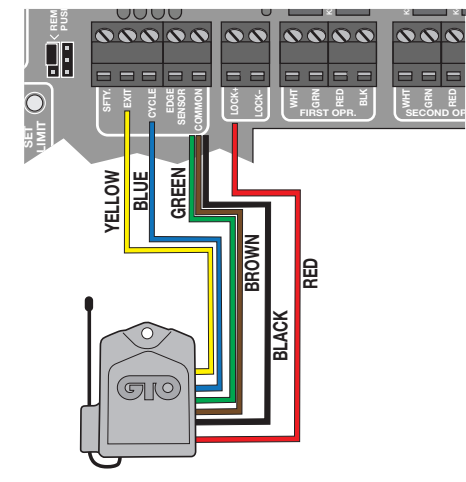


### Wiring Receiver to MM271 and MM272 Operators

#### MM271 Wiring Diagram



#### MM272 and PRO-SW2000XLS Series Wiring Diagram



**NOTE:** This diagram also works with MM260.

**NOTE:** This diagram also works for MM262, MM362 and MM462.

### Wiring Receiver to MM371, MM372, MM571 & MM572 Operators

