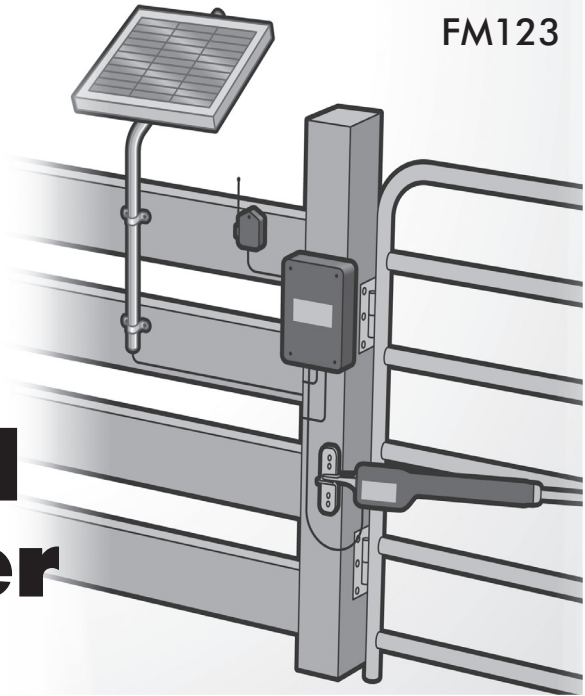


# MIGHTY MULE



## 10 Watt

# Solar Powered Battery Charger Installation Manual



Compatible with Mighty Mule DC Powered Gate Openers.

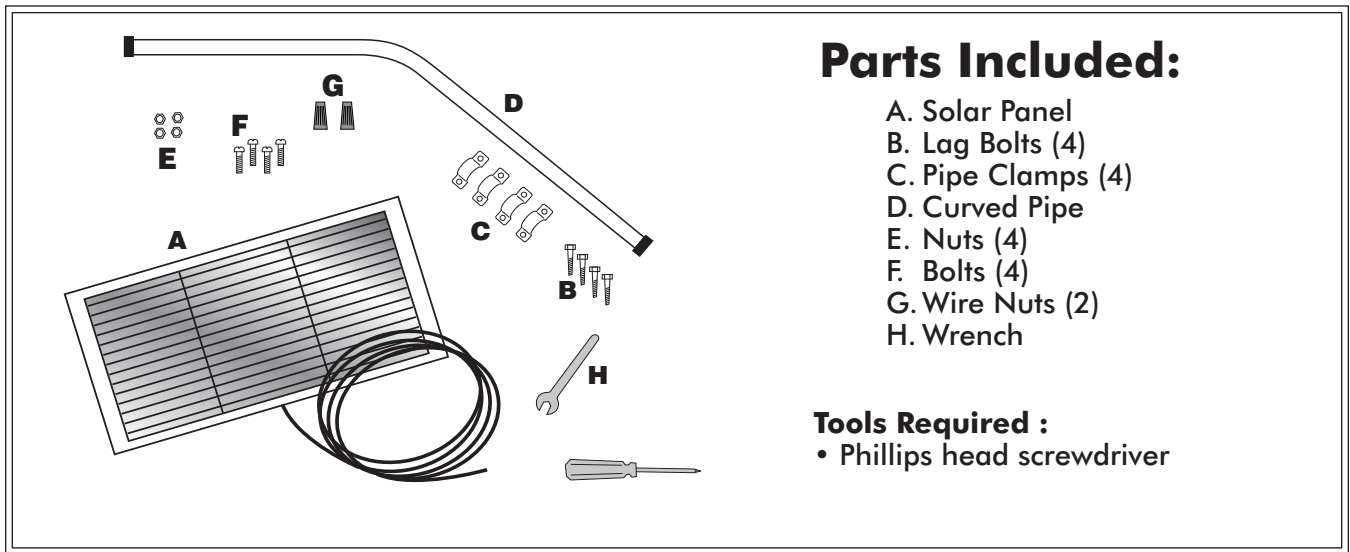
### GTO Limited One Year Warranty

GTO Access Systems, LLC ("GTO") gate openers and accessories are covered under warranty by the manufacturer against defects in materials and manufacturer workmanship for a period of one (1) year from date of purchase, provided the recommended installation procedures have been followed.

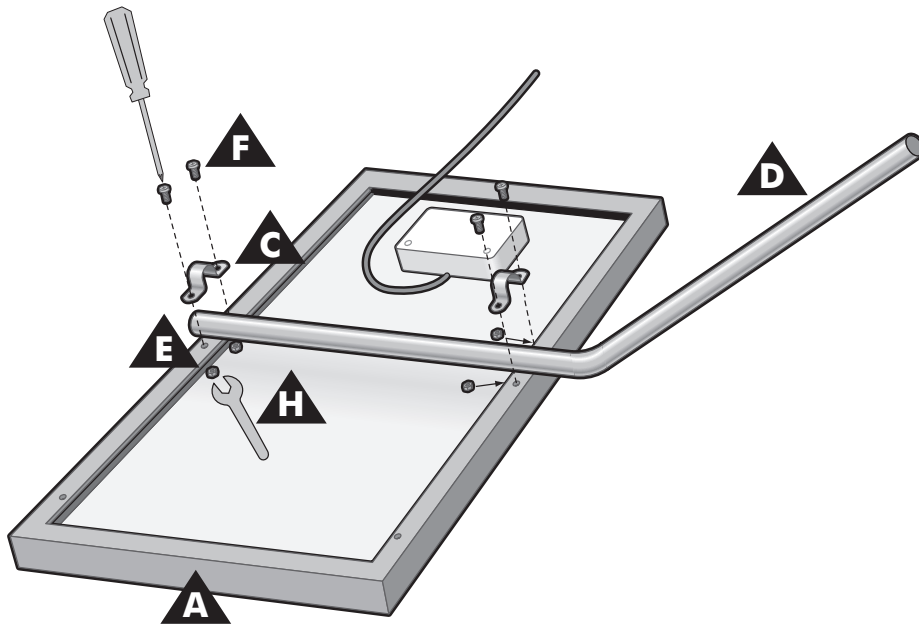
In the case of product failure due to defective material or manufacturer workmanship within the one (1) year warranty period, the product will be repaired or replaced (at the manufacturer's option) at no charge to the customer, if returned freight prepaid to GTO, 3121 Hartsfield Road, Tallahassee, Florida, USA 32303. **IMPORTANT: Call (800) 543-1236 for a Return Goods Authorization (RGA) number before returning accessory to factory.** Products received at the factory without an RGA number will not be accepted.

Replacement or repaired parts are covered by this warranty for the remainder of the one (1) year warranty period or six (6) months, whichever is greater. GTO will pay the shipping charges (equal to United Parcel Service GROUND rate) for return to the owner of items repaired under warranty. The manufacturer will not be responsible for any charges or damages incurred in the removal of the defective parts for repair, or for the reinstallation of those parts after repair. This warranty shall be considered void if damage to the product(s) was due to improper installation or use, connection to an improper power source, or if damage was caused by electrical power surge or lightning, wind, fire, flood, insects or other natural agent.

After the one (1) year warranty period, GTO will make any necessary repairs for a nominal fee. Call GTO at (800) 543-1236 for more information. This warranty gives you specific legal rights, and you may also have other rights which may vary from state to state. This warranty is in lieu of all other warranties, expressed or implied. NOTE: Verification of the warranty period requires copies of receipts or other proof of purchase. Please retain these records.



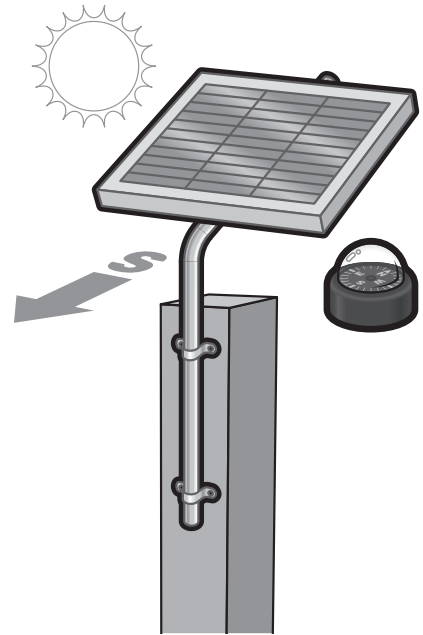
**STEP 1:** Position the curved pipe (D) between the pre-drilled holes on the back side of the frame and place the two pipe clamps (C) over the curved pipe. Using the wrench supplied and a phillips head screwdriver secure with nuts (E) and Bolts (F) as shown in illustration below.



**STEP 2:** Determine the installation site for the solar panel. **IMPORTANT:**

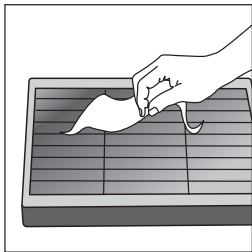
- Place the panel facing due south in the path of the sun.
- The solar panel must be placed in an open area away from shade.\*
- The solar panel should receive at least 8 hours of direct sunlight for a full charge.
- Mount the panel using the curved pipe provided to maintain the proper angle to the sun.

Secure the solar panel assembly to a wooden post or fence using two pipe clamps (C) and four lag bolts (B) as shown in the illustration. If your fence post is metal, you will need alternative hardware not provided, (e.g., U-clamps or metal screws).



\*If the solar panel must be placed more than 10 ft. from the control box in order to receive direct sunlight, you can use up to 250 ft. of stranded, 16 gauge, direct burial, low-voltage wire [RB509]. **NEVER use telephone wire or solid core wire.**

**IMPORTANT:** To provide secure and moisture resistant splices for solar panels use a direct burial splice kit for underground splices and an above ground splice kit for above ground splices. These splice kits can be found at hardware and electrical supply stores.



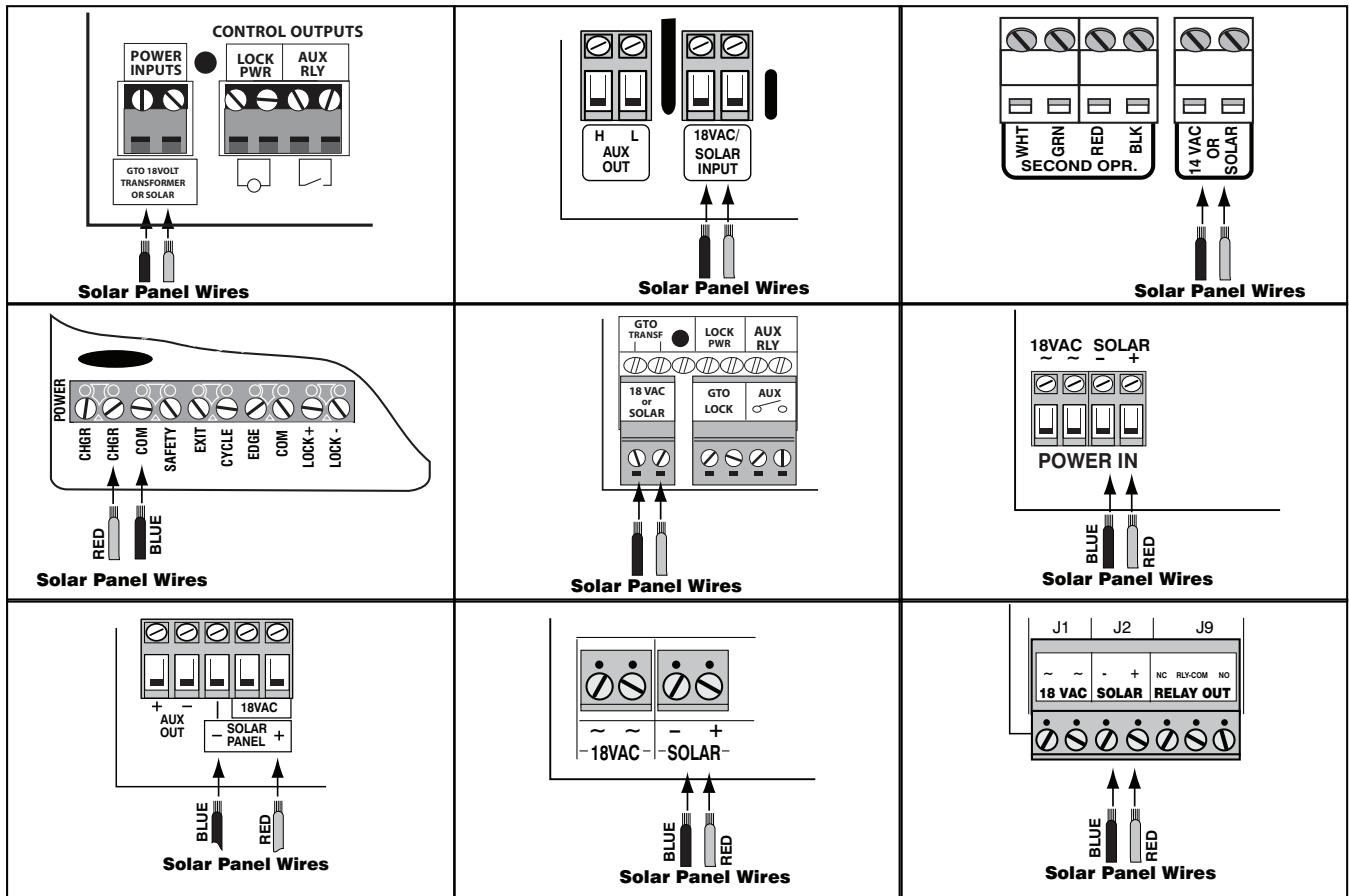
For optimal efficiency, wipe the face of the panel frequently with a soft, damp cloth.

The output of the Solar Panel is variable during the day depending on the intensity of the sun and the angle of the rays striking the panel. The output may vary from a few millivolts to as much as 22 volts. To check the output, simply disconnect the solar panel leads from the control board and connect them directly to a dc voltmeter. In bright sunlight the panel output should read at least 18 volts dc at approximately 300mA.

**STEP 4:** Make sure control box is OFF. Feed the free end of the solar panel wires into the control box and attach them to the appropriate terminals on the control board. The RED solar panel wire goes to the (+) POSITIVE Solar terminal and the BLUE solar panel wire goes to the (-) NEGATIVE Solar terminal. Improper installation of these wires will damage the opener's control board.

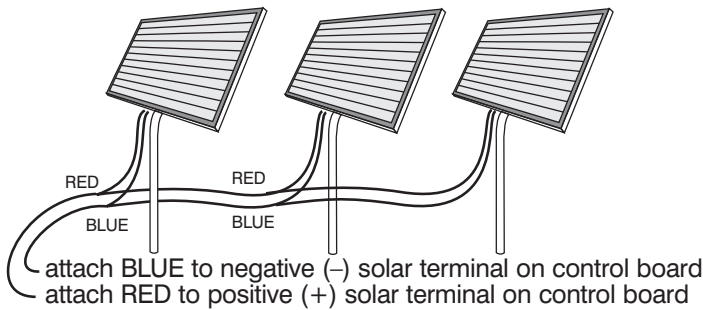
Examples of solar terminals on various control boards are on page 4. **If you do not see an illustration of your control board below, please refer to your gate opener Installation Manual for instructions on wiring the control board.** Or you may call GTO's Technical Service Department at (800)543-1236 or (850)575-4144 for assistance.

**NEVER USE THE SOLAR PANEL AND THE AC TRANSFORMER AT THE SAME TIME!** It will damage the control board.



**Solar Panels connect in PARALLEL**

*All connections should be made weatherproof using weatherproof splice kits available at hardware and electrical supply stores.*



**For more information on the Mighty Mule line of automatic gate openers and access controls visit our website at [www.mightymule.com](http://www.mightymule.com)**



3121 Hartsfield Road • Tallahassee, Florida, USA 32303  
 Sales: 1-800-543-4283 or (850) 575-0176 • Fax (850) 575-8912  
 Technical Service: 1-800-543-1236 or (850) 575-4144 • Fax (850) 575-8950  
[www.mightymule.com](http://www.mightymule.com)

The contents of all material available on this installation manual are copyrighted by GTO Access Systems, LLC ("GTO"), unless otherwise indicated. All rights are reserved by GTO, and content may not be reproduced, downloaded, disseminated, published, or transferred in any form or by any means, except with the prior, written permission of GTO. Any reprinting of GTO publications is by permission only. Copyright infringement is a violation of federal law. Mighty Mule, E-Z Gate, Linear PRO Access, GTO, are registered trademarks of GTO Access Systems, LLC. All rights are reserved by GTO, and these marks may not be used, in any for without the prior, written permission of GTO.