



MMB200

Mighty Mule Battery Enclosure Kit



Installation Instructions

TABLE OF CONTENTS

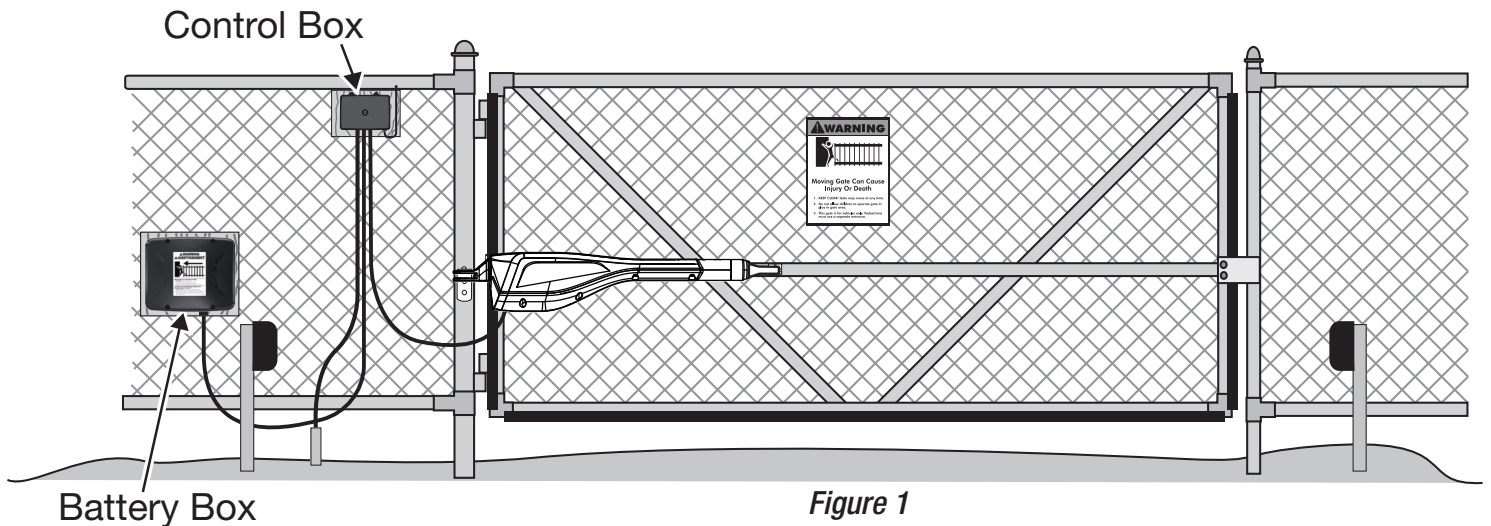
Enclosure Kit Installation Options	3
Package Contents	4
Tools Required	5
Mount the Battery Enclosure Kit.	6
Battery Harness Construction.	7
MM271 Only	7
MM272W, MM371W, MM372W, TS571W	9
MM271 Battery Enclosure Kit Setup.	12
MM271 Control Box – Battery Enclosure Kit Connection.	12
MM272W Battery Enclosure Kit Setup	13
MM272W Control Box – Battery Enclosure Kit connection	13
MM371W, MM372W, TS571W Battery Enclosure Kit Setup	14
Control Box – Battery Enclosure Kit Connection	14

ENCLOSURE KIT INSTALLATION OPTIONS

There are two available choices for Battery Enclosure Kit installations.

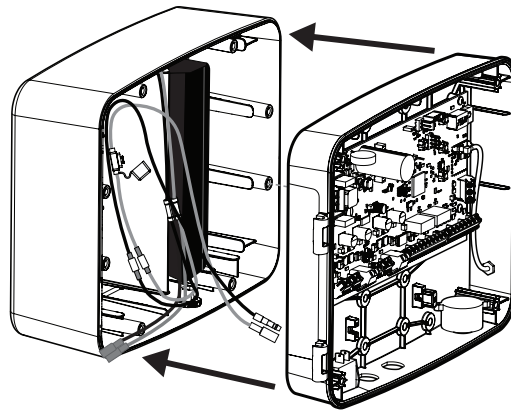
For MM271 and MM272W installations, the Battery Enclosure Kit will need to be installed separately from the Control Box (see *Figure 1*). This method is NOT required for MM371W, MM372W and TS571W installations, but it may be used.

Separate Battery Enclosure Kit (required for MM271 and MM272W)

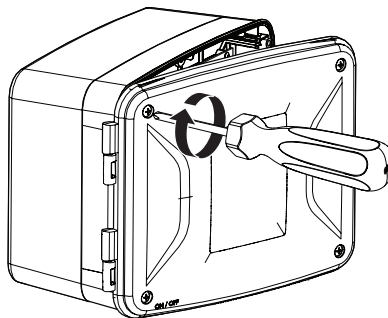


Battery Enclosure Kit Combined with Control Box (available for MM371W, MM372W and TS571W)

This option allows MM371W, MM372W and TS571W owners to mount the Battery Enclosure Kit behind the Control Box and cover.



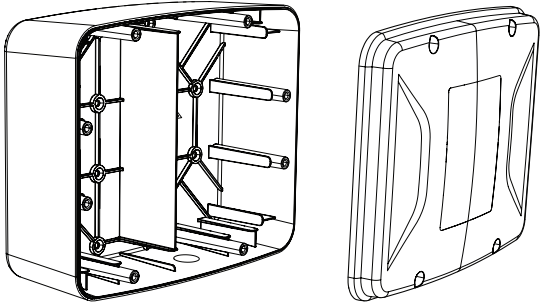
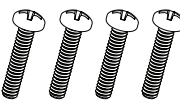

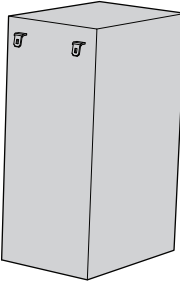
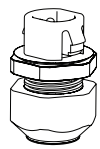
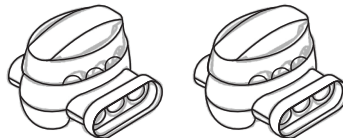
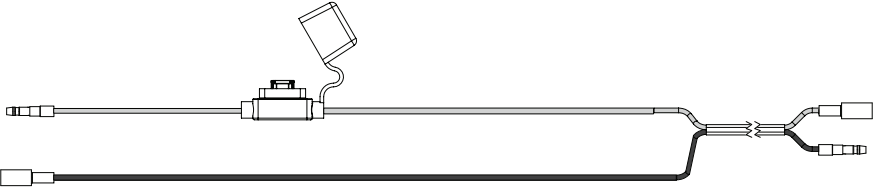
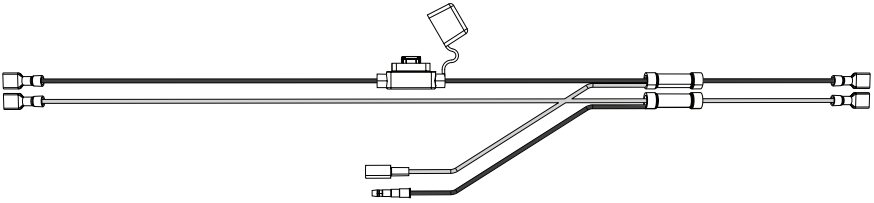
1. Once the Battery Enclosure Kit is mounted, the Control Box will mount onto the Battery Enclosure Kit.



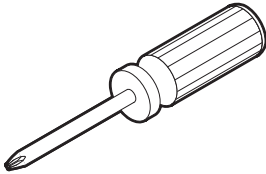
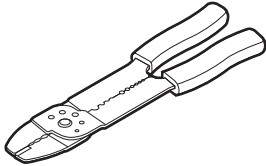
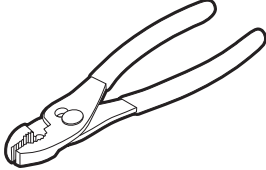
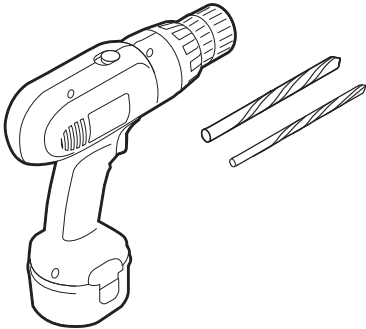
2. The Control Box Cover is then attached to the to the Control Box. The provided Battery Enclosure Kit Cover may be discarded.

See **Mount the Battery Enclosure Kit**, page 6, followed by **Battery Harness Installation**, page 7.

PACKAGE CONTENTS

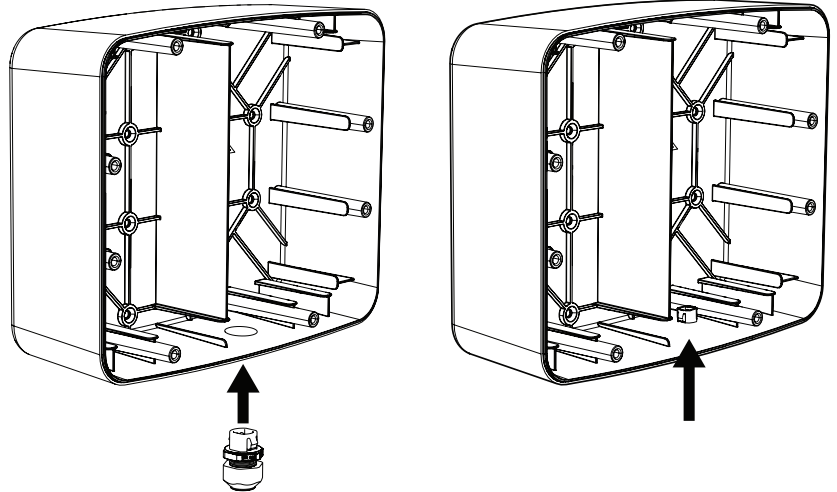
<p>(1) Battery Enclosure Kit and Cover</p>	 A line drawing showing the battery enclosure kit with its internal components and the separate cover.
<p>(4) Battery Enclosure Kit Cover Screws</p>	 Four screws used for the enclosure cover.
<p>(4) Mounting Screws</p>	 Four screws used for mounting the enclosure.
<p>(1) 12V 7 Amp-Hour Battery (FM150 or RB500) NOTE: An additional FM150 or RB500 is recommended for solar installations (purchased separately).</p>	 A rectangular 12V 7 Amp-Hour battery.
<p>(1) Strain Relief Fitting</p>	 A strain relief fitting used for cable management.
<p>(2) IDC Self Stripping Connectors NOTE: Use of the supplied IDC Connector will not void your Mighty Mule product warranty.</p>	 Two IDC self stripping connectors.
<p>(1) Battery Harness A</p>	 A battery harness with a central connector and multiple wires.
<p>(1) Battery Harness B</p>	 A battery harness with a central connector and multiple wires, including a separate branch.

TOOLS REQUIRED

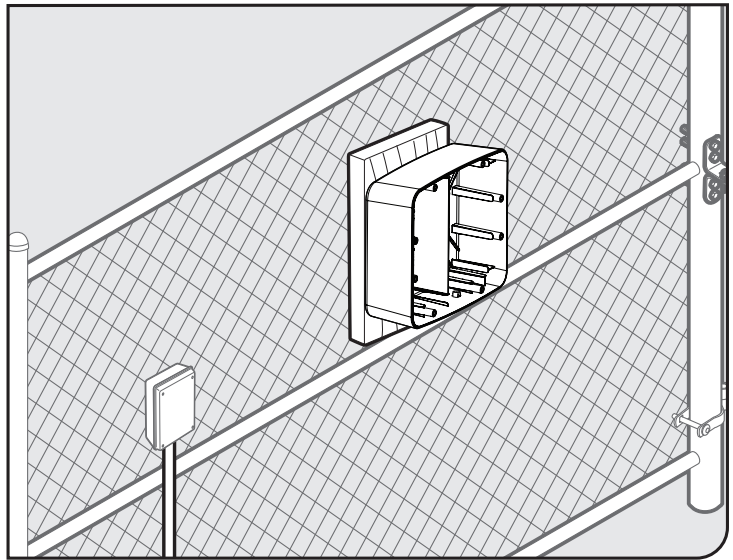
<p>Phillips Head Screwdriver</p>	
<p>Wire Stripper (for use in cutting wires) or Wire Cutters</p>	
<p>(Optional) Pliers (May be used to press and secure the <i>IDC Self Stripping Connectors</i>.)</p>	
<p>Drill with 1/2" and 7/32" Drill Bits</p>	

MOUNT THE BATTERY ENCLOSURE KIT

1. Insert the Strain Relief fitting into the access hole on the bottom of the Battery Enclosure Kit, then snap it into place.

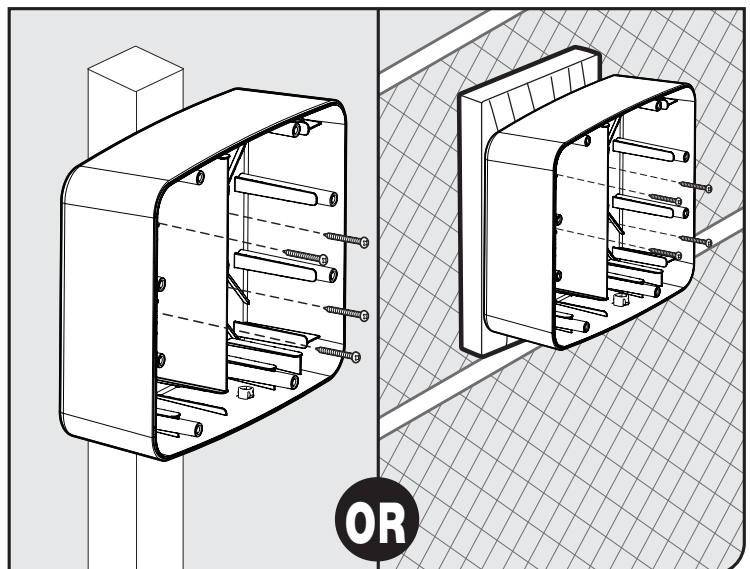


2. Identify a suitable mounting location for the Battery Enclosure Kit.



3. Once you've identified a suitable mounting location, mount the Battery Enclosure Kit using the provided mounting screws.
4. If the mounting surface is not wood (such as a metal post), you must use a wood panel between the box and the metal post requiring additional hardware (not supplied).

NOTE: Orient the Battery Enclosure Kit with the arrow on the inside of the box pointed up.

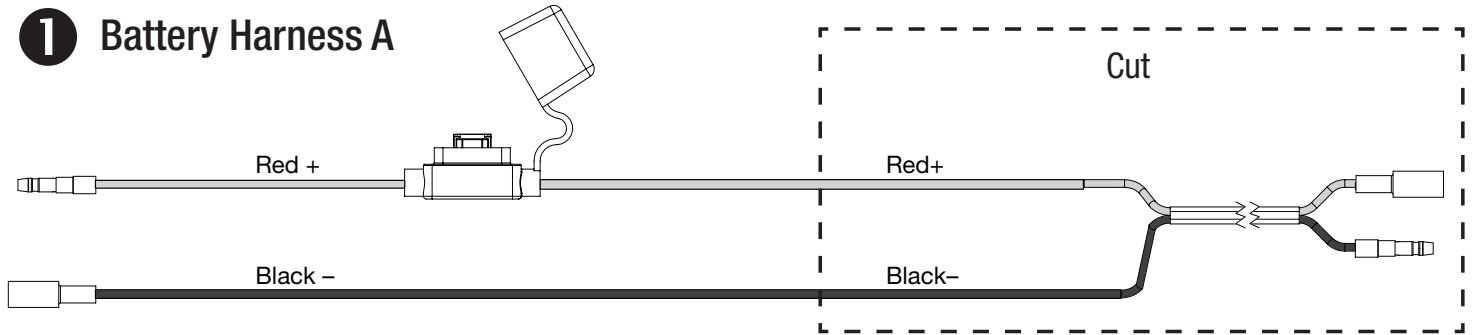


BATTERY HARNESS CONSTRUCTION

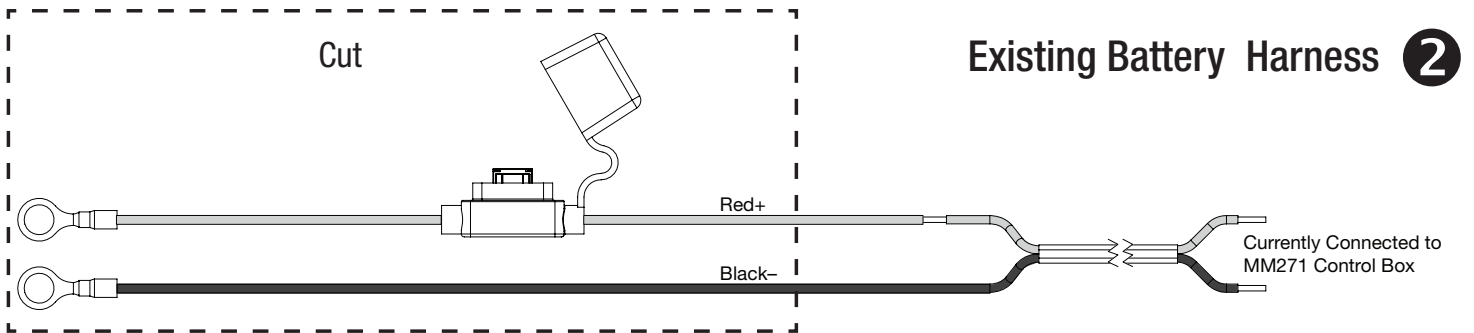
MM271 Only

In order to install the Battery Kit to your existing MM271 gate arm system, the wiring harness currently connected to the MM271 Control Box will need to be modified using a section of a newly provided wiring harness. **NOTE: DO NOT** attempt to disconnect the wiring harness from the MM271 Control Box.

1 Battery Harness A



1. Cut the section of the provided Battery Harness A.

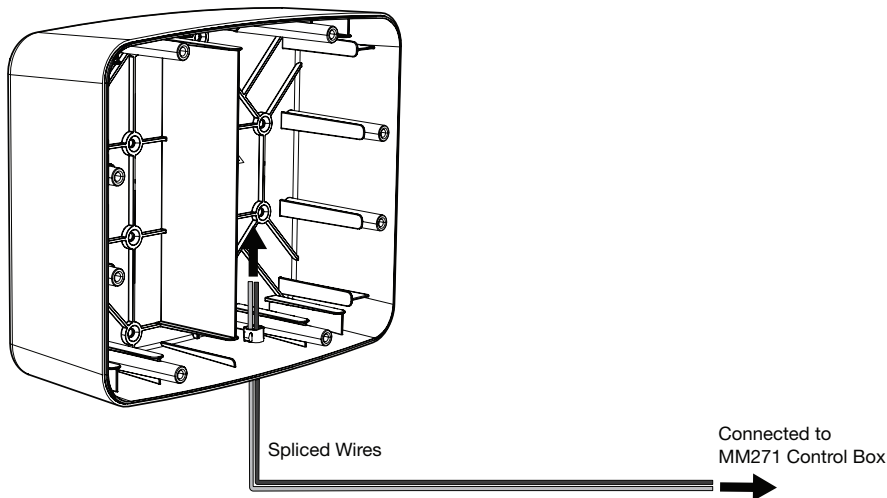


2. POWER OFF THE MM271W CONTROL BOX.

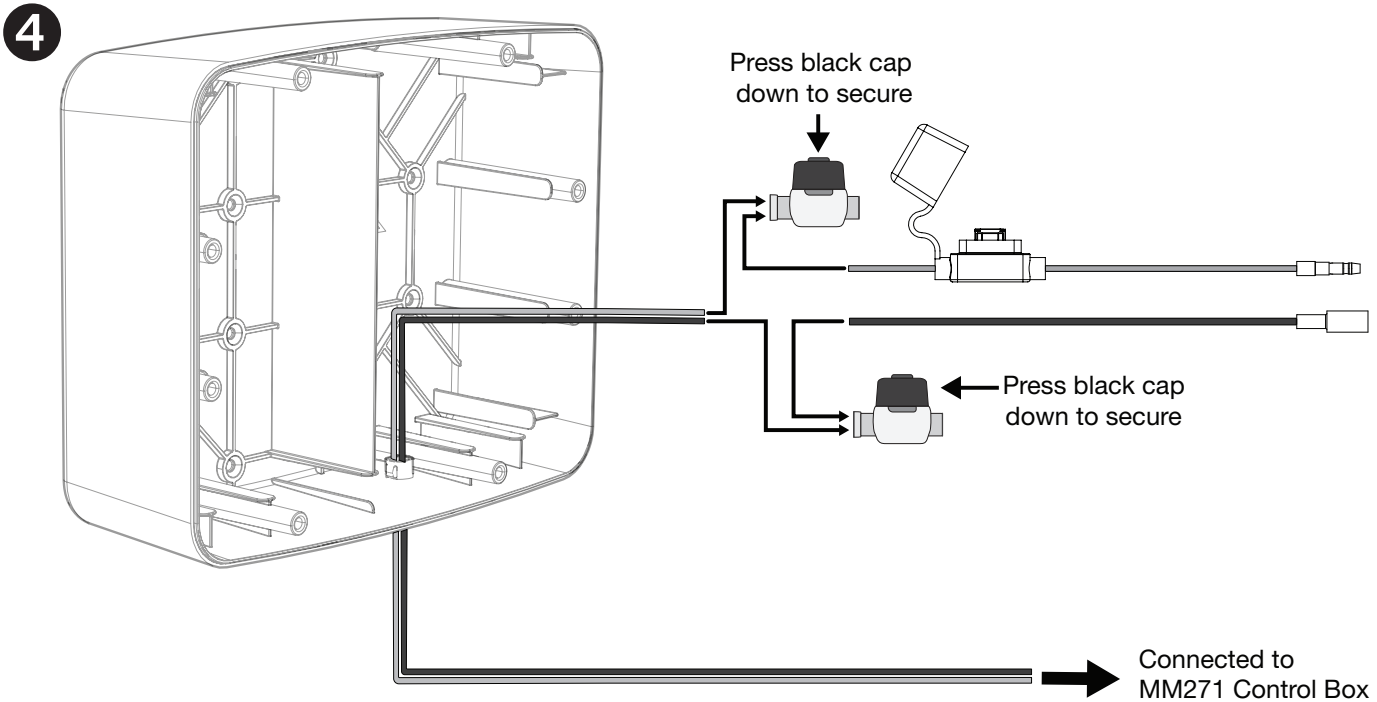
3. Cut the indicated section from the existing wiring harness currently connected to the MM271 Control Box.

NOTE: DO NOT attempt to disconnect the existing MM271 wiring harness from the Control Box.

3

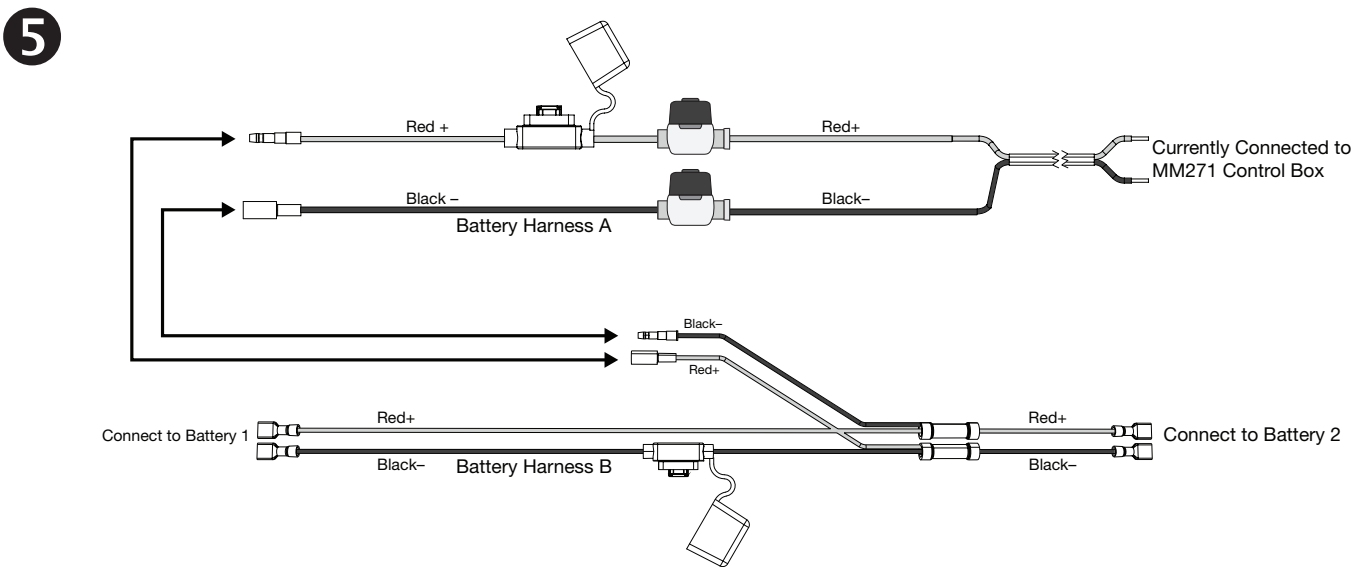


4. Feed the spliced end of Battery Harness A (connected to the MM271 Control Box) through the Strain Relief fitting from underneath the Battery Enclosure Kit. The wiring harness will then need to be constructed and sealed inside the Battery Enclosure Kit.



4. Splice the two harness sections together using the two provided *IDC Self Stripping Connectors*, ensuring that the new harness will rest within the Battery Enclosure Kit.

Insert alike wires (Black-to-Black and Red-to-Red) into one connector, then use press firmly with your thumb (or use a tool) to press down on the black cap to snap and secure the connection.

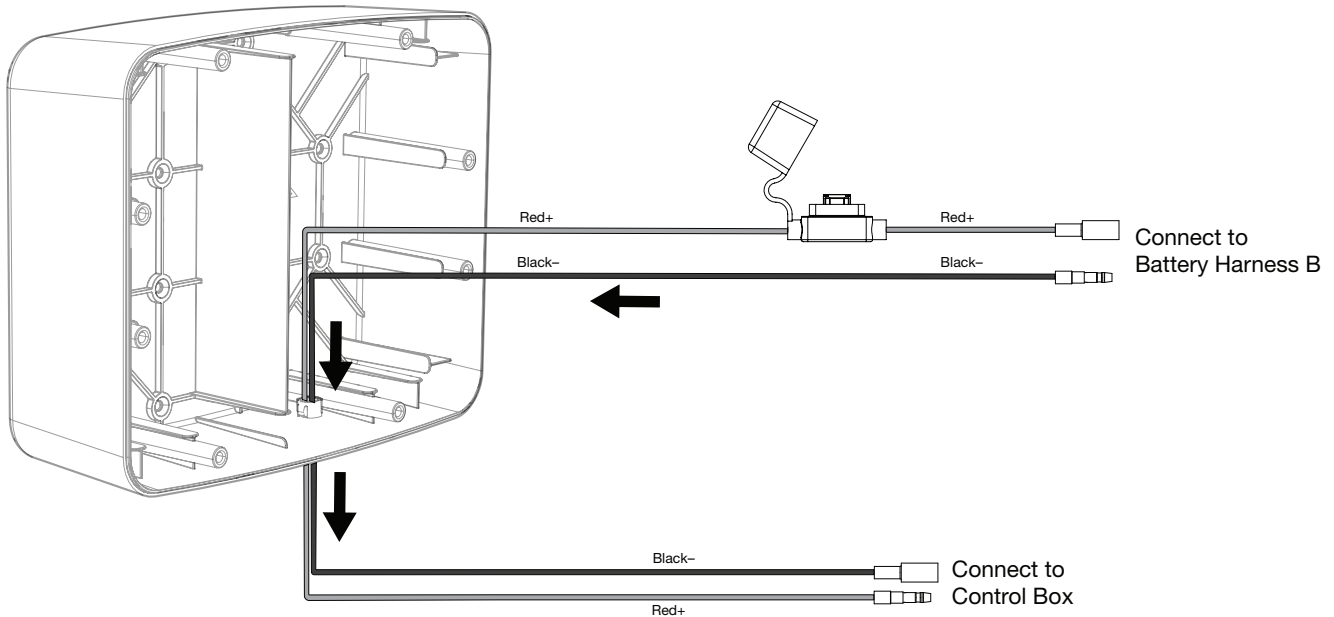


5. To complete construction of the harness, connect the newly constructed harness to the provided Battery Harness B.
NOTE: Either end of the Battery Harness may be connected to the first battery. The opposite battery connection is available for a second battery.

6. See **Battery Harness Installation**, page 7.

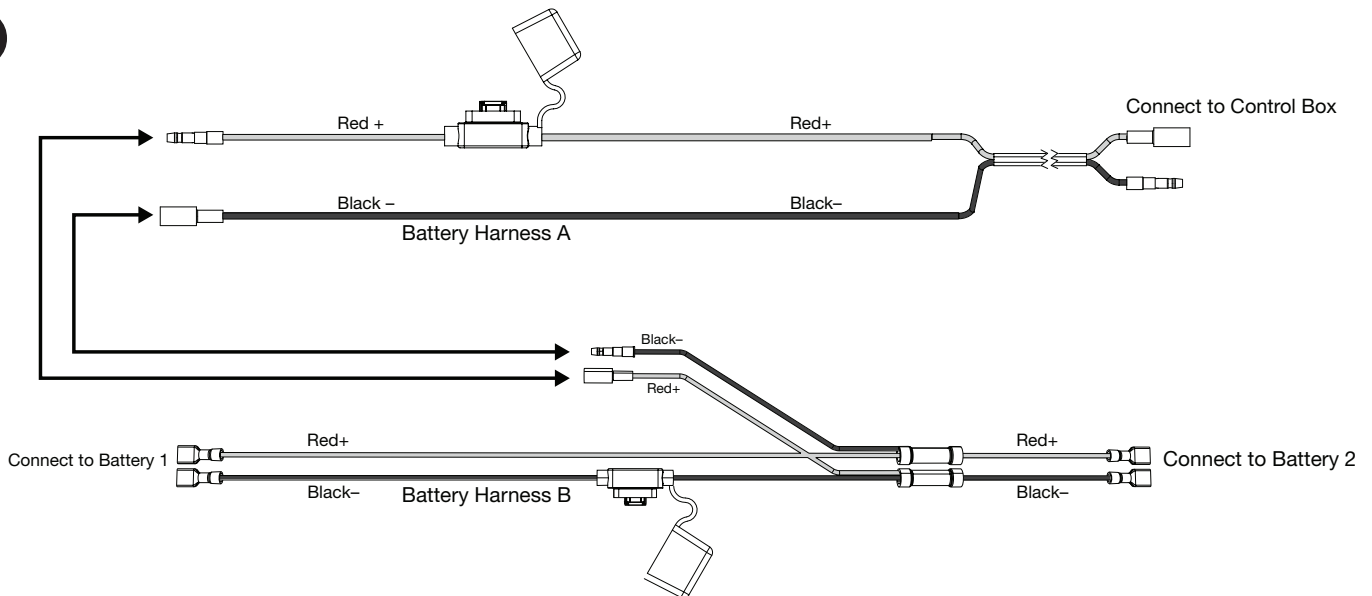
MM272W, MM371W, MM372W, TS571W

1



1. Feed the Control Box end of Battery Harness A through the Strain Relief fitting as displayed above.

2



2. To complete construction of the required harness, connect Battery Harness A to Battery Harness B as displayed above.

NOTE: Either end of the newly constructed Battery Harness may be connected to the first battery. The opposite battery connection is available for a second battery.

3. See Control Box – Battery Enclosure Kit Connection, page 14.

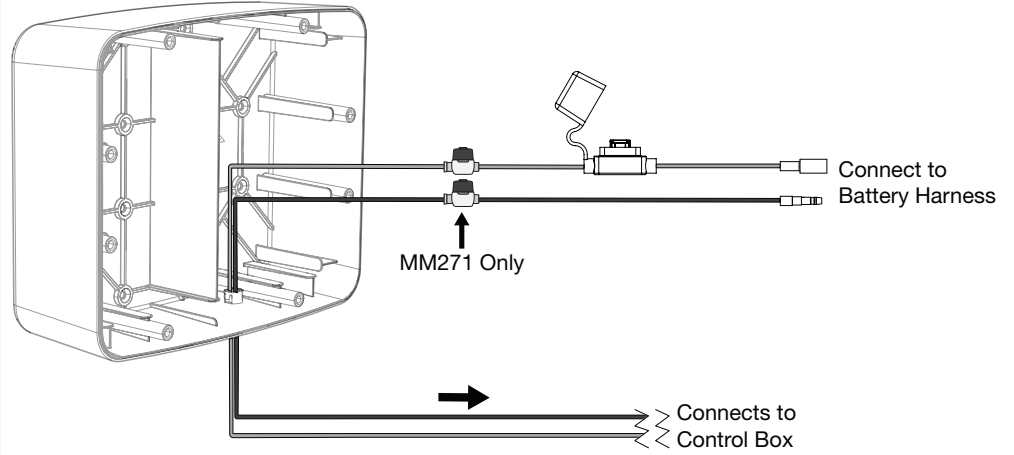
MM271/MM272W BATTERY INSTALLATION

This section covers battery installation for the MM271 and MM272W, however, the separate Control Box option can be used for MM371W, MM372W and TS571W installations. See **MM371W, MM372W, TS571W Battery Enclosure Kit Setup**, page 14, for instructions on the preferred method for MM371W, MM372W and TS571W installations.

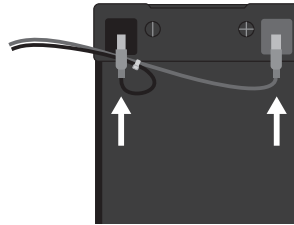
1. The battery harness feeds through the hole of the Strain Relief fitting at the bottom of the Battery Enclosure Kit.

NOTES:

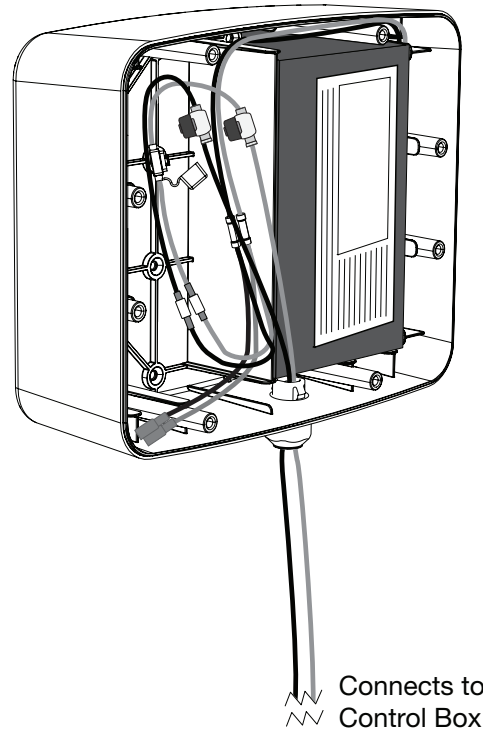
- The MM271 harness is not fed through the Strain Relief fitting. It must be spliced into place (see **Step 4, page 8**).
- The MM272W harness can be fed down through the Strain Relief fitting (see **Step 1, page 9**).



2. Connect the battery harness to the battery as shown - red to positive, black to negative terminals.



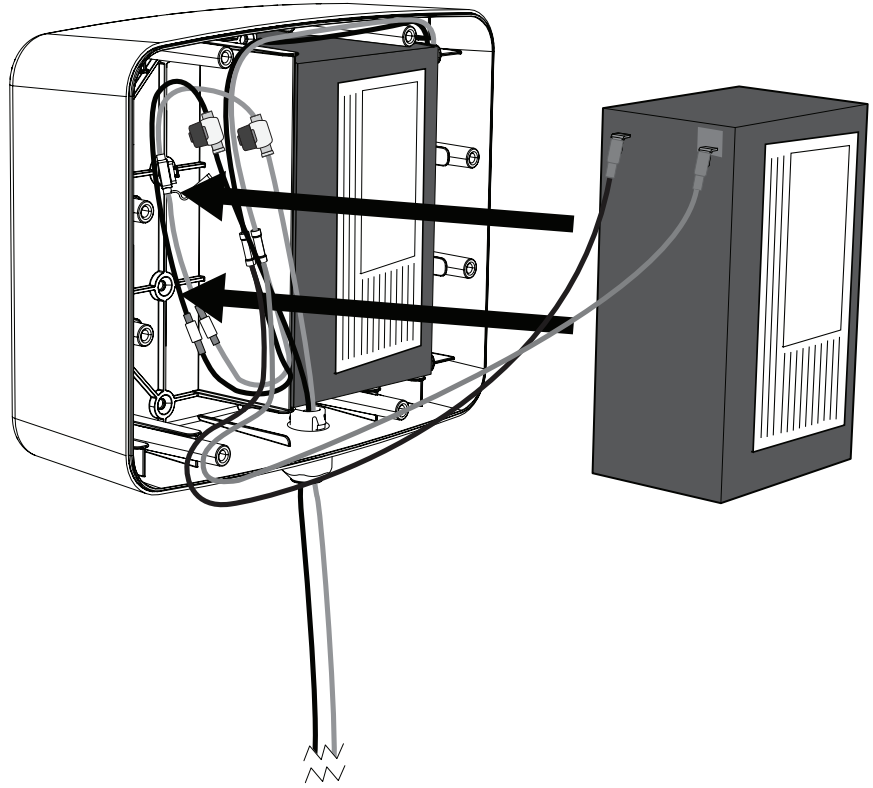
3. Place the first installed battery into the right side of the Battery Enclosure Kit with the terminals facing to the right and towards the top of the Battery Enclosure Kit.



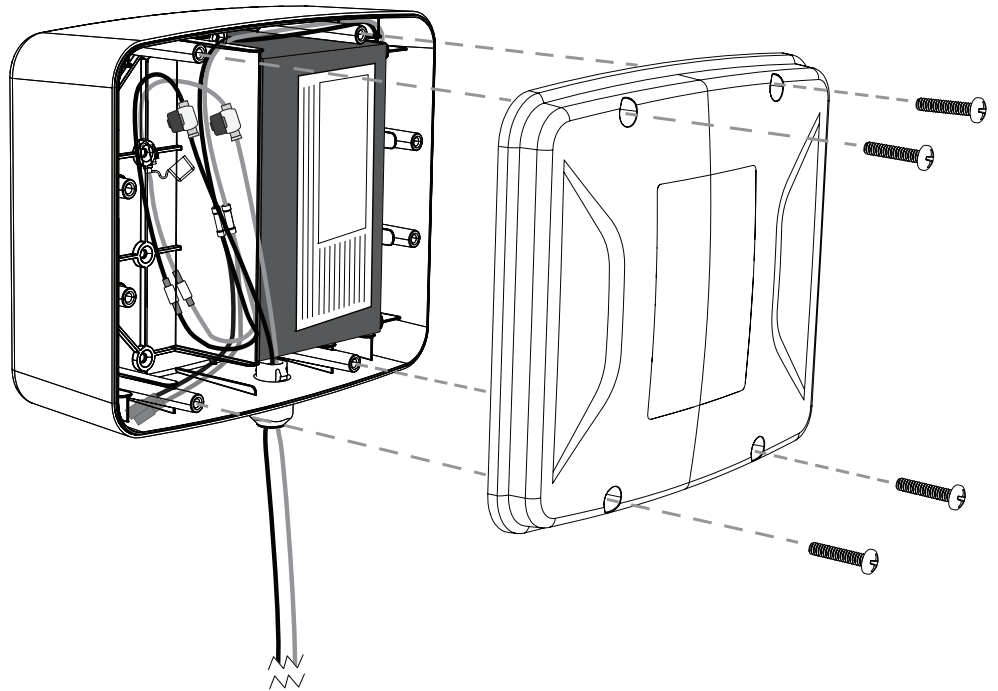
OPTIONAL SECOND BATTERY

- If you'll be installing a second battery, connect the second set of harness connectors to the battery.
- Insert the battery into the left side of the Battery Enclosure Kit with the terminals facing outward.

NOTE: If no second battery is to be installed, leave the second battery set of connectors not connected.

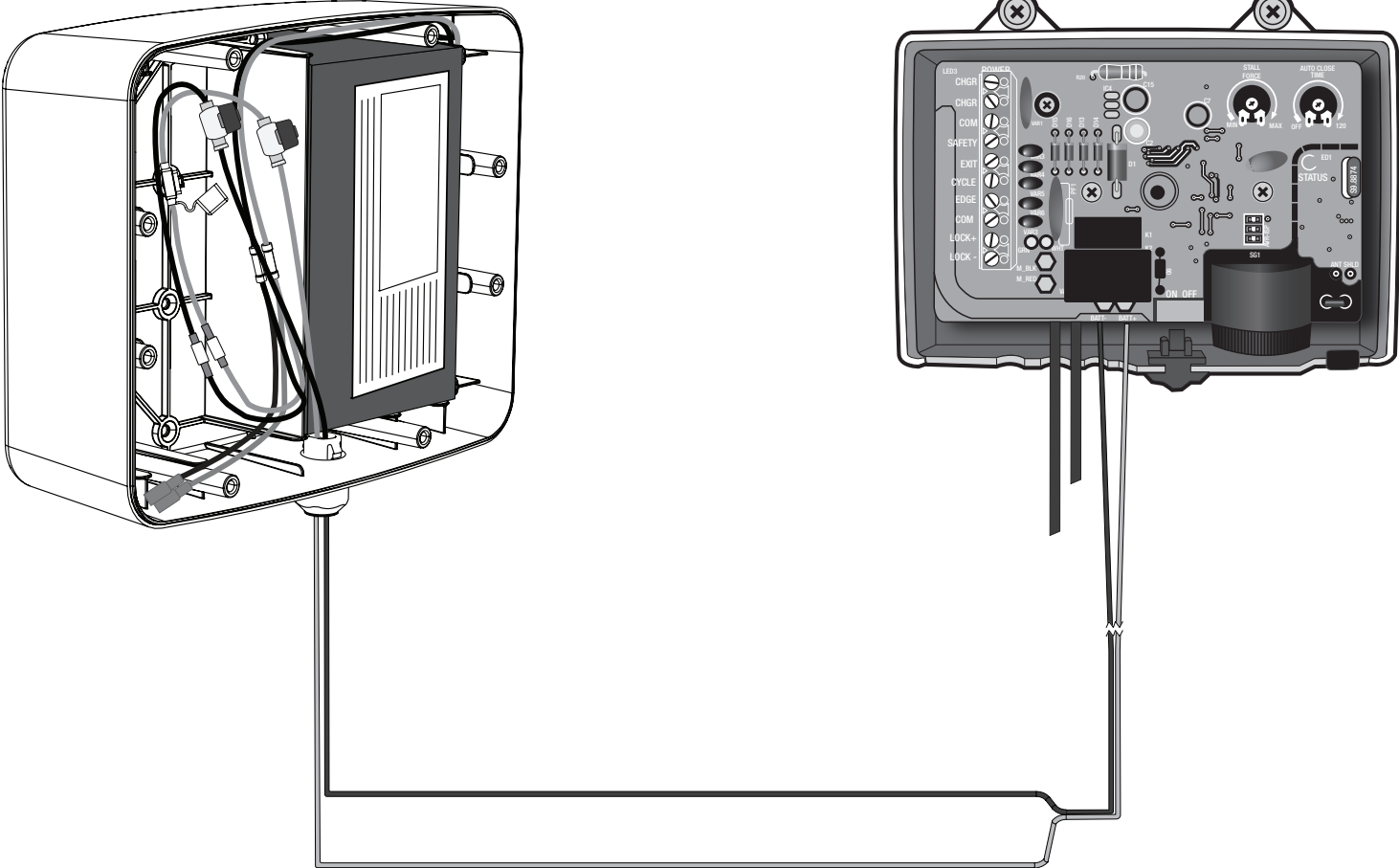


- 4.** With the battery(s) in place and connected to the wiring harness, use the four provided screws to secure the Battery Enclosure Kit cover.



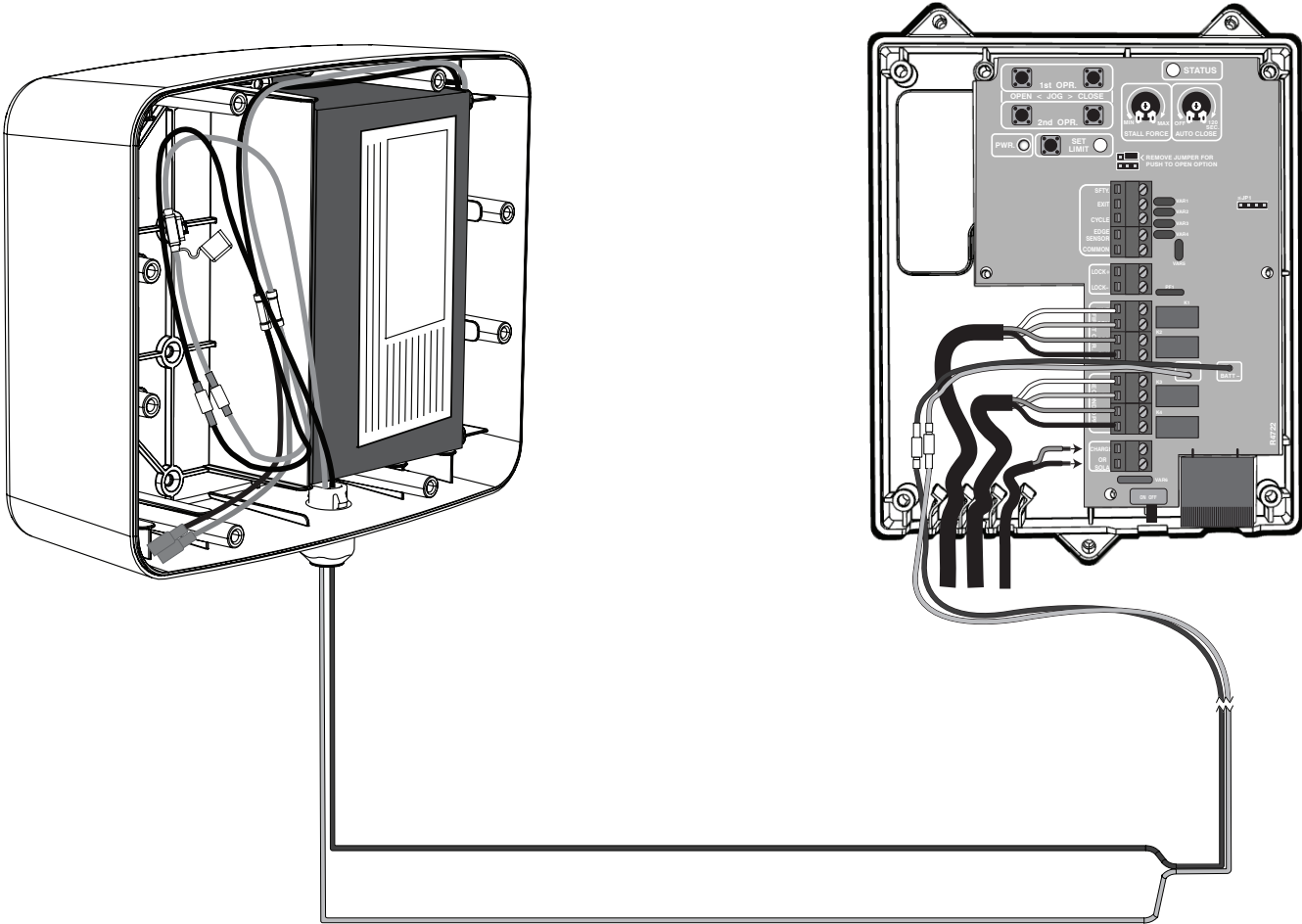
MM271 BATTERY ENCLOSURE KIT SETUP

MM271 Control Box – Battery Enclosure Kit Connection



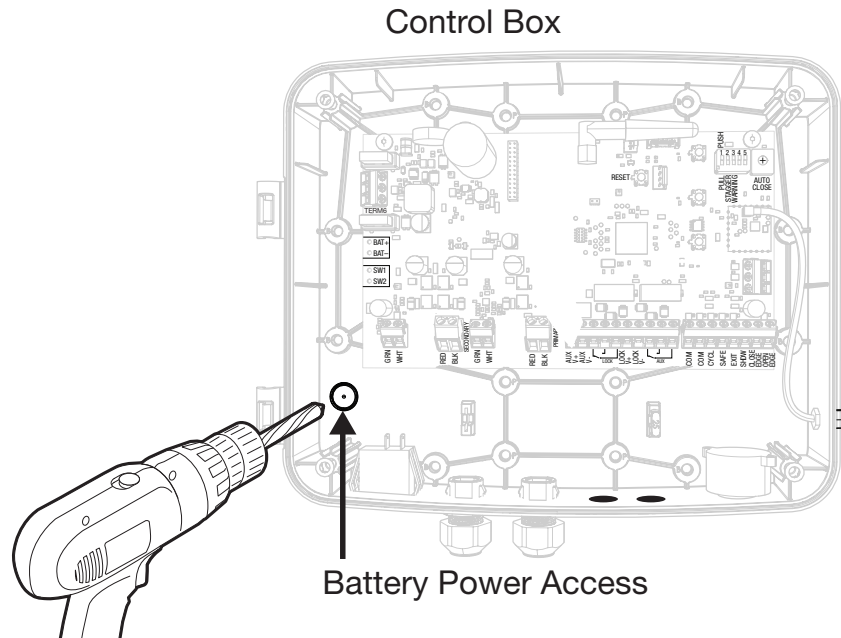
MM272W BATTERY ENCLOSURE KIT SETUP

MM272W Control Box – Battery Enclosure Kit connection

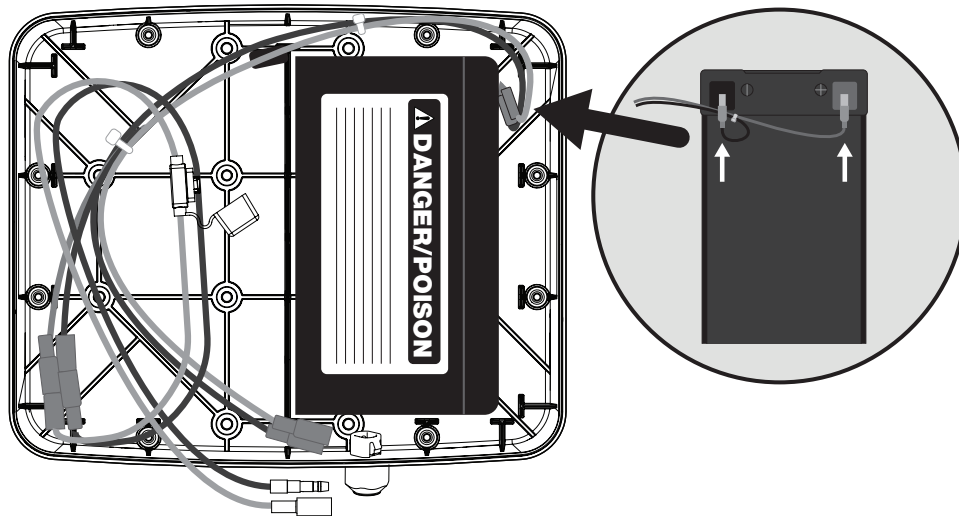


MM371W, MM372W, TS571W BATTERY ENCLOSURE KIT SETUP

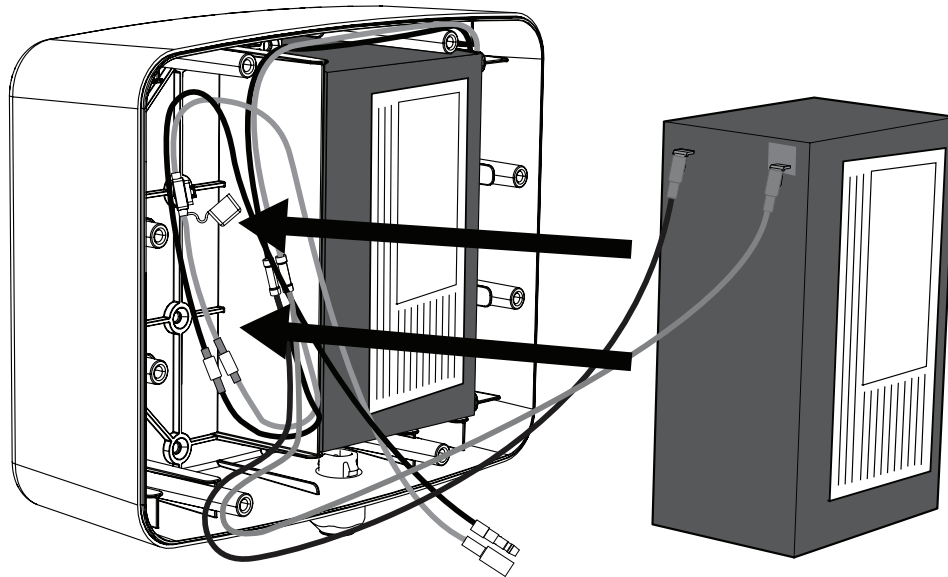
Control Box – Battery Enclosure Kit Connection



1. In order to install the Battery Kit, you'll need to provide wiring access from the Control Box to the Battery Enclosure Kit. With a drill and 1/2" drill bit, drill out the plug designated for Battery Power Access.



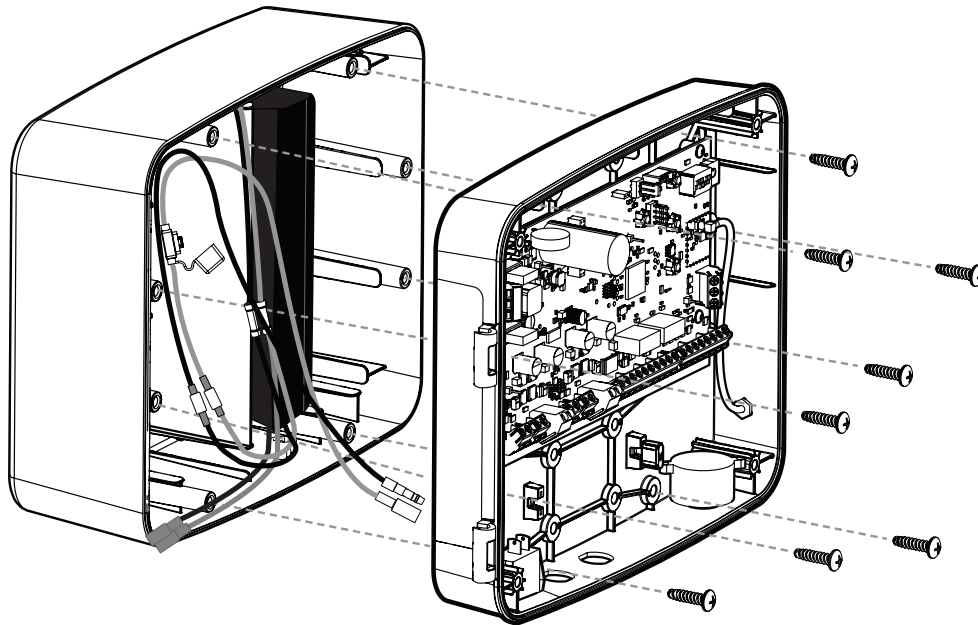
2. Connect the battery harness to the battery as shown - red to positive, black to negative terminals.
3. Place the battery into the right side of the Battery Enclosure Kit with the terminals facing to the right and towards the top of the Battery Enclosure Kit.



OPTIONAL SECOND BATTERY (Recommended for Solar installations)

- If you'll be installing a second battery, connect the second set of harness connectors to the battery.
- Insert the battery into the left side of the Battery Enclosure Kit with the terminals facing outward.

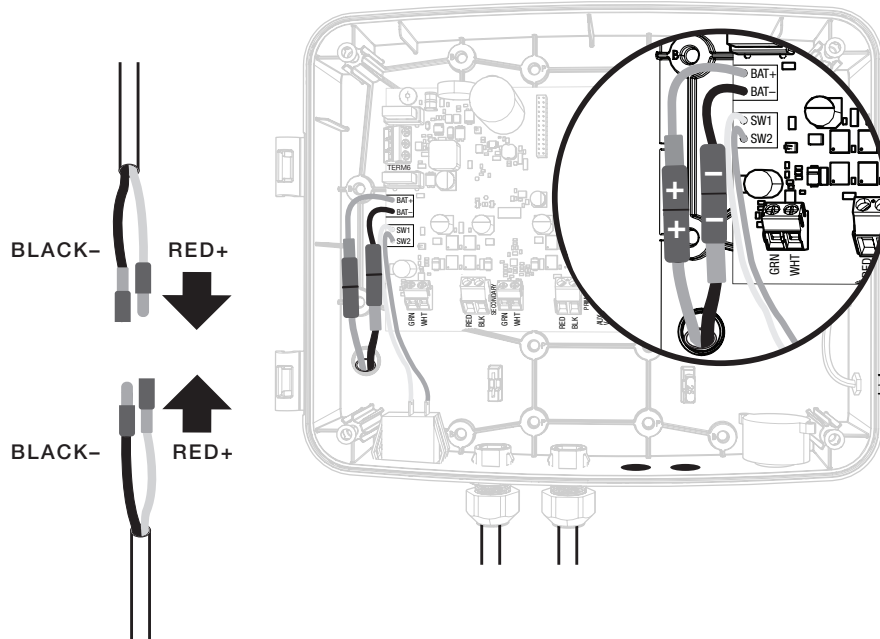
NOTE: If no second battery is to be installed, leave the second battery set of connectors not connected.



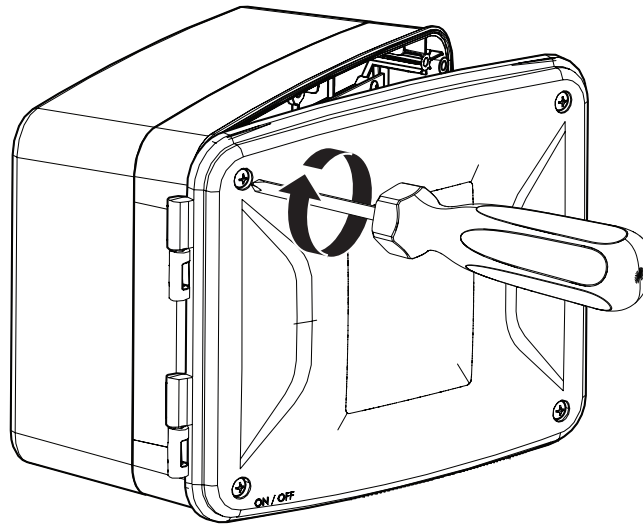
4. With the 1/2" hole drilled, feed the Battery Harness connectors from the Battery Enclosure Kit through the Control Box's newly drilled access hole.

5. Use a 7/32" drill bit to drill out the holes required to secure the Control Box to the Battery Enclosure Kit. Use #10-14 x 3/4" Screws to attach the Control Panel to the Battery Enclosure Kit.

NOTE: Control Box mounting screws are not included with MM371W and MM372W.



7. Connect the harness (Red+ to Red+) and (Black- to Black-).



8. Align the hinges of the Control Box cover, then close the cover.

NOTE: For MM371W, MM372W and MM571W, the Control Box and Cover can be attached to the Battery Enclosure Kit. In this situation, the provided Battery Enclosure Kit Cover may be discarded.

9. Secure the cover with the four provided screws.



Mighty Mule Sales: 800-543-4283 | Mighty Mule Technical Service 800-543-1236

For more information on Mighty Mule's full line of Automatic Gate Operators, Gate Openers and Access Controls visit www.mightymule.com



©2021 NorTek Security & Control LLC. All rights reserved.
Mighty Mule is a registered trademark of NorTek Security & Control LLC.