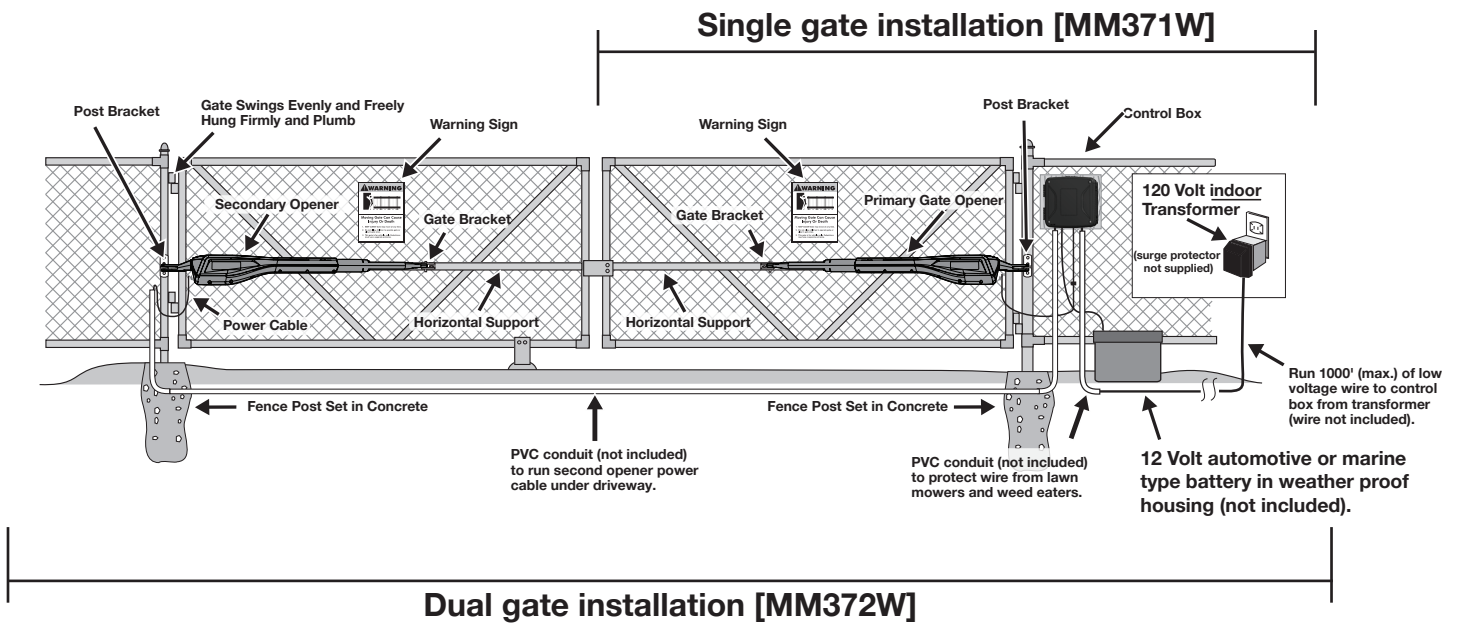




# MM371W MM372W

## Installation Manual (For a single or dual gate installation)



### Example of Dual Gate finished installation (Installations vary slightly on different types of gates)



This product meets the requirements of UL325, the standard for gate operator safety.



**⚠ WARNING ⚠**

**DO NOT SPLICE ANY  
POWER WIRES!**

**DO NOT MODIFY THE  
BATTERY HARNESS!**

**THIS WILL VOID YOUR  
MANUFACTURER'S  
WARRANTY.**

Low voltage wire for transformer not included.

# **WARNING**

This equipment meets Underwriters Laboratory Standard 325 (UL 325). However, gate equipment has hazards associated with its use and therefore by installing this product the installer and user accept full responsibility for following and noting the installation and safety instructions. Failure to follow installation and safety instructions can result in hazards developing due to improper assembly. You agree to properly install this product and that if you fail to do so Nice North America LLC, shall in no event be liable for direct, indirect, incidental, special or consequential damages or loss of profits whether based in contract tort or any other legal theory during the course of the warranty or at any time thereafter. The installer and/or user agree to assume responsibility for all liability and use of this product releasing Nice North America LLC, from any and all liability. If you are not in agreement with this disclaimer or do not feel capable of properly following all installation and safety instructions, you may return this product for full replacement value.

**READ ALL INSTRUCTIONS CAREFULLY AND COMPLETELY** before attempting to install and use this automatic gate operator. This gate operator produces a high level of force. Stay clear of the unit while it is operating and exercise caution at all times.

**ALL AUTOMATIC GATE OPERATORS ARE INTENDED FOR USE ON VEHICULAR GATES ONLY.**

## **Product Usage**

The Mighty Mule Gate Operator meets all of the safety requirements of a **Class I** Residential Vehicular Gate Operator and is intended for use solely with vehicular swing gates in single-family residential applications that meet the Class I category listed in the table below.

## Vehicular Gate Operator Class Categories

### **Residential Vehicular Gate Operator-Class I:**

A vehicular gate operator (or system) intended for use in garages or parking areas associated with a residence of one-to-four single families.

### **Commercial/General Access Vehicular Gate Operator-Class II:**

A vehicular gate operator (or system) intended for use in a commercial location or building such as a multi-family housing unit (five or more single family units), hotel, garages, retail store, or other buildings accessible by or servicing the general public.

### **Industrial/Limited Access Vehicular Gate Operator–Class III:**

A vehicular gate operator (or system) intended for use in an industrial location or building such as a factory or loading dock area or other locations not accessible by or intended to service the general public.

### **Restricted Access Vehicular Gate Operator – Class IV:**

A vehicular gate operator (or system) intended for use in an industrial location or building such as a factory or loading dock area or other locations not accessible by or intended to service the general public.


# Table of Contents

<b>Please Read This First!</b> .....	<b>2</b>
Before You Begin To Install Your Automatic Gate Operator .....	2
<b>Important Safety Information</b> .....	<b>3</b>
Manually Opening and Closing Gate .....	3
For the Installer and End User.....	4
Installing Warning Signs and Pedestrian Gates .....	8
Required Safety Precautions for Gates.....	9
Mighty Mule 371W/372W Gate Opener.....	10
<b>Technical Specifications</b> .....	<b>10</b>
Powering Options .....	11
Solar Panel and Gate Activity Chart.....	11
<b>Before You Begin</b> .....	<b>11</b>
Check Existing Gate Size and Material.....	12
IMPORTANT: Check for Proper Gate Installation.....	12
Items Included for Primary Gate Opener Installation (MM371W).....	13
Additional Items Included for Secondary Opener Installation (MM372W) .....	13
Tools Needed .....	14
Items Not Included .....	14
Check Direction of Gate Swing .....	14
<b>Mechanical Installation</b> .....	<b>15</b>
Assessing the Gate for Installation .....	15
MMTGB Bracket Installation .....	16
Pull-to-Open Operator Mounting (Most Common) .....	17
Installing the Closed Position Stop Plate / Pull-to-Open.....	22
Push-to-Open Operator Mounting.....	25
Installing the Closed Position Stop Plate / Push-to-Open.....	30
Control Box Installation.....	31
Connecting the Operator(s) and Battery .....	32
Transformer or Solar Panel Wiring Installation.....	34
<b>Electrical Installation and Setup</b> .....	<b>36</b>
Dip Switches Settings .....	36
Closed Limit Programming - Pull to Open .....	37
Open Limit Programming - Push to Open .....	39
Transmitter Programming.....	41
Dual Sense Stall Force Setting.....	42
Auto Close Setting.....	43
<b>Optional Smart Control Setup</b> .....	<b>43</b>
Connecting Additional Devices.....	44
Control Board Connections .....	45
Connecting Accessories .....	46
<b>Accessories</b> .....	<b>47</b>
Accessories are Available from your Retail Store .....	47
FM130 & FM136 Accessory Installation Instructions.....	49
<b>Troubleshooting Guide - Audible Feedback</b> .....	<b>50</b>
<b>Troubleshooting Guide - Visual Feedback</b> .....	<b>52</b>
<b>Gate Operator Installation Checklist</b> .....	<b>54</b>
<b>Maintenance</b> .....	<b>55</b>
<b>Repair Service</b> .....	<b>55</b>

# Please Read This First!

Thank you for purchasing a Mighty Mule "do-it-yourself" automatic gate operator! When correctly installed and properly used, your Mighty Mule Gate Operator will give you many years of reliable service. Please read the following information to ensure you have the correct system for your particular needs. If so, this manual will enable you to properly install your Mighty Mule Gate Operator.

The Mighty Mule Gate Operator is designed for installation for single or dual gates. The gate(s) must not exceed 16 feet in length or weigh more than 550 pounds (please see **Technical Specifications on page 10**). The Mighty Mule Gate Operator can be used on vinyl, aluminum, chain link, farm tube, and wrought iron gates.

 Not rated for use on solid surface gates due to the potential to damage the operator and/or injure someone.

The Mighty Mule Gate Operator accommodates extra transmitters, digital keypads, solar panels, push buttons, automatic gate locks, and other access control products. These optional accessories (see the Mighty Mule Accessory Catalog) are available at most stores. Your store should be able to special order any accessory not in stock.

If your store cannot special order accessories, please call the Mighty Mule Sales Department (800-421-1587).

The Mighty Mule Gate Operator features Dual Sense Technology™. This feature makes the gate stop and reverse direction when it comes in contact with an obstruction.

The Mighty Mule Gate Operator also has an adjustable auto-close feature. After the gate reaches the fully open position, it can be set to remain open up to 120 seconds before automatically closing. Pressing the transmitter button at any time after the gate opens fully will cause it to close immediately. OFF is the factory setting; meaning the gate will stay open until you press the transmitter (or keypad, etc.) again.

Visit [www.mightymule.com](http://www.mightymule.com) for a retailer near you.

## Before You Begin To Install Your Automatic Gate Operator

### Watch the Installation Video

Watch the installation video here:

<https://www.mightymule.com/installation-videos/>

### Review 3D Instructions

1. Download the  BILT® app.



2. Scan the QR code to access the 3D instructions.



### Read This Manual

Read these instructions carefully and completely to become familiar with all parts and installation steps. The video is only designed as an overview of the installation procedure. You must read this installation manual for detailed instructions on gate operator safety and proper use of the gate operator.


**NOT FOR THE CONTAINMENT OF ANIMALS.**

# Important Safety Information

Because automatic gate operators produce high levels of force, consumers need to know the potential hazards associated with improperly designed, installed, and maintained automated gate operator systems. **Keep in mind that the gate operator is just one component of the total gate operating system.** Each component must work in unison to provide the end user with convenience, security, and safety.

This manual contains various safety precautions and warnings for the installer and end user. Because there are many possible applications of the gate operator, the safety precautions and warnings contained in this manual cannot

be completely exhaustive in nature. It does, however, provide an overview of the safe design, installation, and use of this product. **CAREFULLY READ AND FOLLOW ALL SAFETY PRECAUTIONS, WARNINGS, AND INSTALLATION INSTRUCTIONS TO ENSURE THE SAFE SYSTEM DESIGN, INSTALLATION, AND USE OF THIS PRODUCT.**

 Warnings in this manual are identified with this warning symbol. The symbol identifies conditions that can result in damage to the operator or its components, serious injury, or death.

**Because Mighty Mule automatic gate operators are only part of the total gate operating system, it is the responsibility of the installer and end user to ensure that the total system is safe for its intended use.**

## Manually Opening and Closing Gate

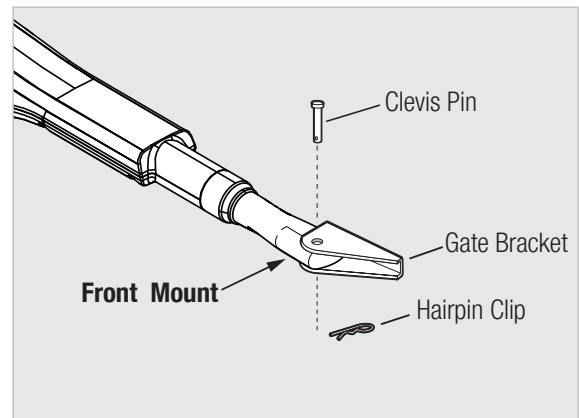
### CAUTION

**The gate will move freely and uncontrolled when the gate operator is removed from the gate. ONLY disconnect the operator when the control box power switch is OFF and the gate is NOT moving.**

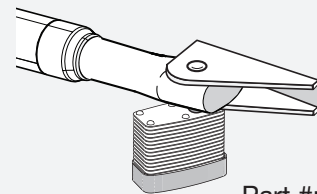
#### Disconnecting the Operator

1. Turn control box power switch OFF.
2. Remove the hairpin clip and clevis pin.
3. Remove the operator's front mount from the gate bracket.

The gate can be opened and closed manually when the operator is disconnected.



**NOTE:** Substitute a **Pin Lock** for the clevis pin on the front mount of the gate operator to prevent theft of the operator from the gate (see accessory pages in back of this book).



Part #: FM133

# Important Safety Information

For the Installer and End User

## **WARNING**

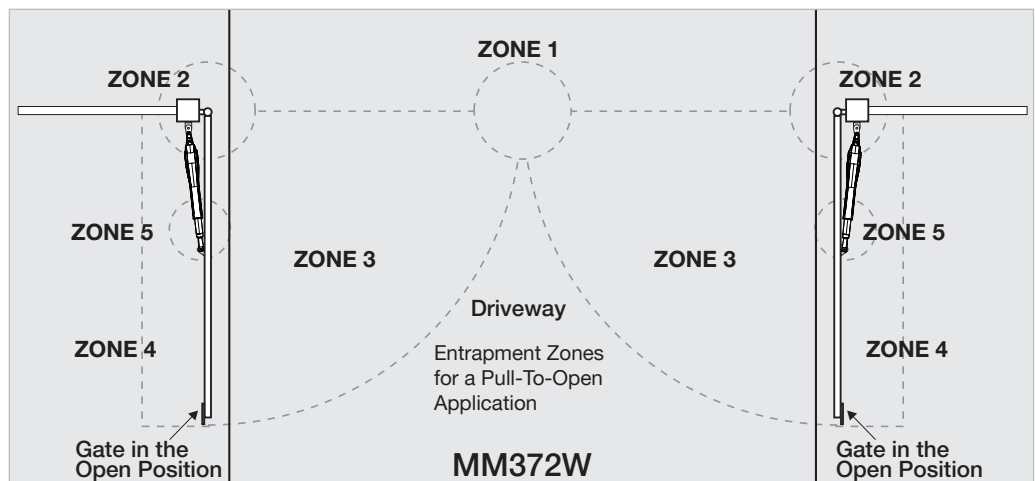
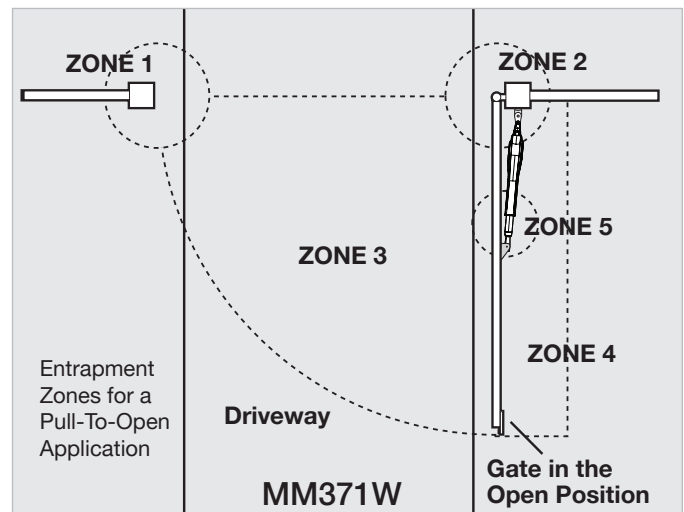
### To reduce the risk of injury or death:

1. READ AND FOLLOW ALL INSTRUCTIONS.
2. Never let children operate or play with gate controls. Keep the remote control away from children.
3. Always keep people and objects away from the gate. **NO ONE SHOULD CROSS THE PATH OF THE MOVING GATE.**
4. Test the gate operator monthly. The gate **MUST** reverse on contact with a rigid object or stop when an object activates the non-contact sensors. After adjusting the force or the limit of travel, retest the gate operator. Failure to adjust and retest the gate operator properly can increase the risk of injury or death.
5. Use the manual/emergency release only when the gate is not moving.
6. **KEEP GATES PROPERLY MAINTAINED.** Read the user's manual. Have a qualified service person make repairs to gate hardware.
7. The entrance is for vehicles only. Pedestrians must use separate entrance.
8. The gate must be installed in a location that provides adequate clearance between it and adjacent structures when opening and closing to reduce the risk of entrapment. Swinging gates must not open into public access areas.
9. **SAVE THESE INSTRUCTIONS.**

#### I. Before Installation

1. Verify this operator is proper for the type and size of gate, frequency of use and class of the gate system.
2. Make sure the gate has been properly installed and swings freely in both directions. Repair or replace all worn or damaged gate hardware prior to installation. A freely moving gate will require less force to operate and will enhance the performance of the entrapment protection devices used with the system (see **page 7**).
3. Review the operation of the system to become familiar with its safety features. Understand how to disconnect the operator for manual gate operation (see **page 3**).
4. The gate and operator installation must comply with any applicable local codes.
5. This gate operator is intended for vehicular gates only. A separate entrance or gate must be installed for pedestrian use (see **page 8**).
6. Always keep people and objects away from the gate and its area of travel. No one should cross the path of a moving gate.
7. Identify all of the entrapment zones for the type of installation. An entrapment zone is an area around the automatic gate system where a person or object could be caught that increase the risk of injury. Entrapment zones should be eliminated, guarded or protected.

8. When designing a system that will be entered from a highway or main thoroughfare, make sure the gate system is placed far enough from the road to prevent traffic congestion.





# Important Safety Information

## For the Installer and End User

Typical Entrapment Zones are shown in the diagrams on page 4:

**Zone 1** – leading edge of the gate and the fence post.

**Zone 2** – between the gate and the gate post.

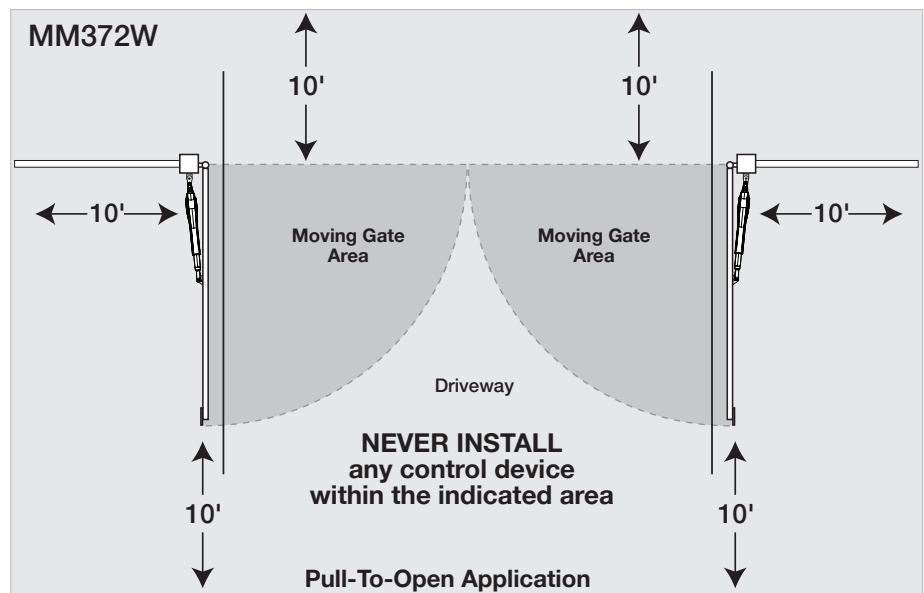
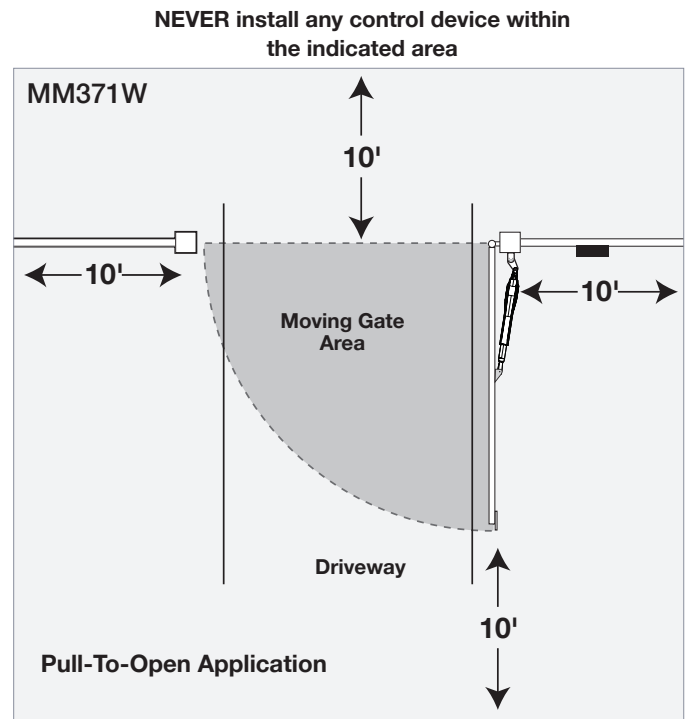
**Zone 3** – the path of the gate.

**Zone 4** – the space between the gate in the open position and any object such as a wall, fence, tree, etc.

**Zone 5** – pinch points between the operator and gate.

## II. During Installation

1. Install the gate operator on the inside of the property and fence line. **DO NOT** install an operator on the outside of the gate where the public has access to it.
2. Be careful with moving parts and avoid close proximity to areas where fingers or hands could be pinched.
3. Devices such as contact sensors (sensing edges) and non contact sensors (photo beams) provide additional protection against vehicular damage.
4. If push buttons or key switches are installed, they should be within sight of the gate, located at least 10 feet from any moving part of the gate (see diagram below). **Never install any control device where a user will be tempted to reach through the gate to activate the gate operator.**
5. Secure outdoor or easily accessed gate operator controls in order to prohibit unauthorized use of the gate.



# Important Safety Information

## For the Installer and End User

### III. After Installation

1. Attach the **warning signs** (included) to each side of the gate to alert the public of automatic gate operation. It is your responsibility to post warning signs on both sides of your gate. If any of these signs or warning decals becomes damaged, illegible, or missing, replace them immediately. Contact Customer Service for free replacements.
2. The gate is automatic and could move at any time, posing serious risk of entrapment. No one should be in contact with the gate when it is moving or stationary.
3. Do not attempt to drive into the gate area while the gate is moving; wait until the gate comes to a complete stop.
4. Do not attempt to “beat the gate” while the gate is closing. This is extremely dangerous.
5. Do not allow children or pets near your gate. **Never let children operate or play with gate controls.** Keep the remote control away from children and unauthorized users; store controls where children and unauthorized users do not have access to them.
6. **KEEP GATE SYSTEMS MAINTAINED.** Always turn power to operator OFF before performing any maintenance. See **page 55** for maintenance procedures.
7. To operate this equipment safely, YOU must know how to disconnect the operator for manual gate operation (see **page 3**). If you have read the instructions and still do not understand how to disconnect the operator, contact the Mighty Mule Service Department.
8. Disconnect the operator **ONLY** when the power is TURNED OFF and the gate is NOT moving.
9. Make arrangements with local fire and law enforcement for emergency access.
10. Distribute and discuss copies of the **IMPORTANT SAFETY INFORMATION** section of this manual with all persons authorized to use your gate.
11. **IMPORTANT:** Save these safety instructions. Make sure everyone who is using or will be around the gate and gate operator are aware of the dangers associated with automated gate systems. In the event you sell the property with the gate operator or sell the gate operator, provide a copy of these safety instructions to the new owner.  
  
Should you need a replacement manual, a copy can be obtained by downloading one from the Mighty Mule web site ([www.mightymule.com](http://www.mightymule.com)), or by calling Customer Service at 1-800-421-1587 and requesting a duplicate copy.

# Important Safety Information

## For the Installer and End User

Mighty Mule gate operators utilize Dual Sense Technology™ entrapment protection. Dual Sense Technology™ is built into every Mighty Mule and provides redundant methods of entrapment protection for open and close gate directions.

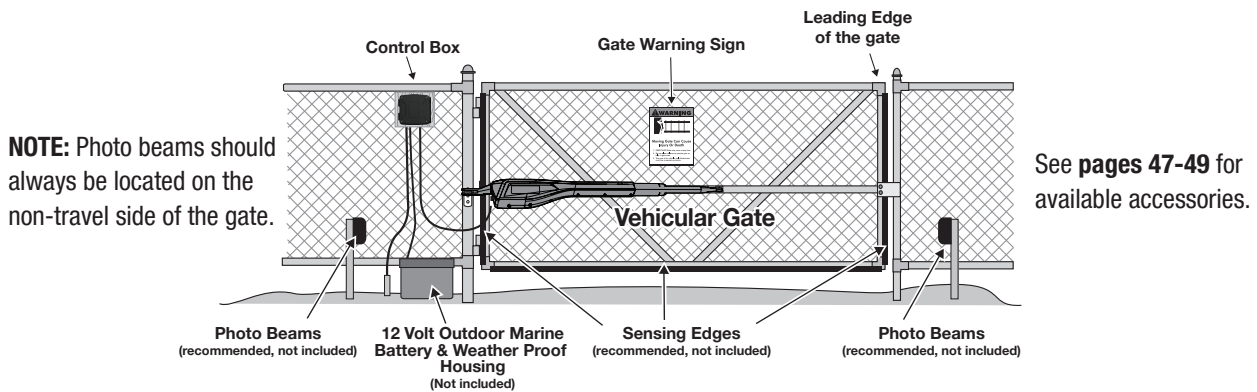
In addition to Dual Sense Technology, every Mighty Mule gate controller has provisions for the connection of additional obstruction detection devices such as sensing edges and photo beams.

These devices may be located where there is an increased risk of obstruction. Refer to the diagram below.

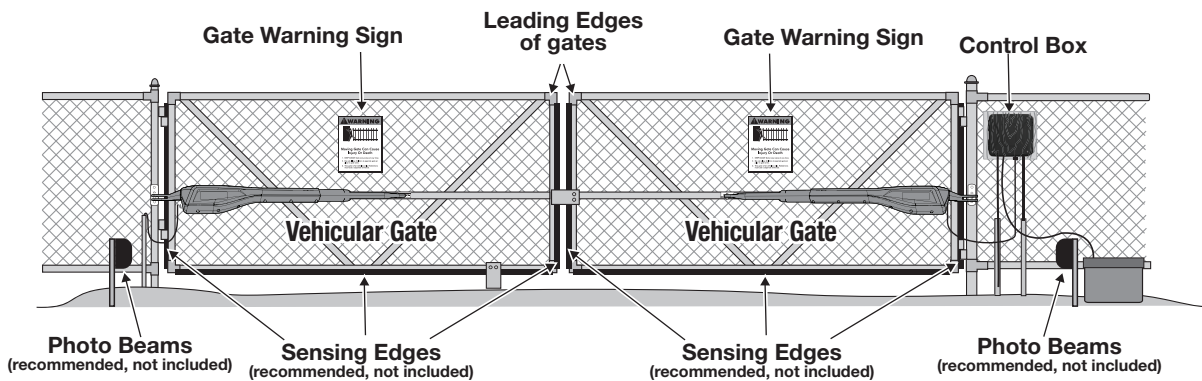
One or more edge sensors may be located at the leading edge, bottom edge, and post edge, both inside and outside of a vehicular swing gate system.

Wiring to sensors must be located and arranged so the wiring between the sensor and the gate operator is not subjected to mechanical damage.

A wireless sensor such as one that transmits radio frequency (RF) signals that promote safety shall be located where the transmission of the signals is not obstructed or impeded by building structures, natural landscaping or similar objects.



**Example of MM371W Installation** (*Installations vary slightly on different types of gates*)



**Example of MM372W Installation** (*Installations vary slightly on different types of gates*)

**NOTE:** Photo beams should always be located on the non-travel side of the gate.

## Entrapment and Obstruction Protection

Mighty Mules Dual Sense Technology™ provides entrapment protection. Since all installations are different, you may need to add photo beams or sensing edges to help prevent damage to vehicle or other items that could be hit by a moving gate.

## Entrapment Alarm

The Mighty Mule Automatic Gate Operator is designed to stop and reverse the gate when the gate comes in contact with an obstruction. Additionally, these operators are equipped with an audio entrapment alarm which will activate if the unit obstructs twice while opening or closing. This alarm will sound for a period of 5 minutes, or until the operator receives an intended signal from a hard wired entry/exit source (e.g. push button control or keypad). Turning the power switch on the control box OFF and back ON will also deactivate the alarm. Wireless controls such as transmitters and wireless keypads will not deactivate the alarm.

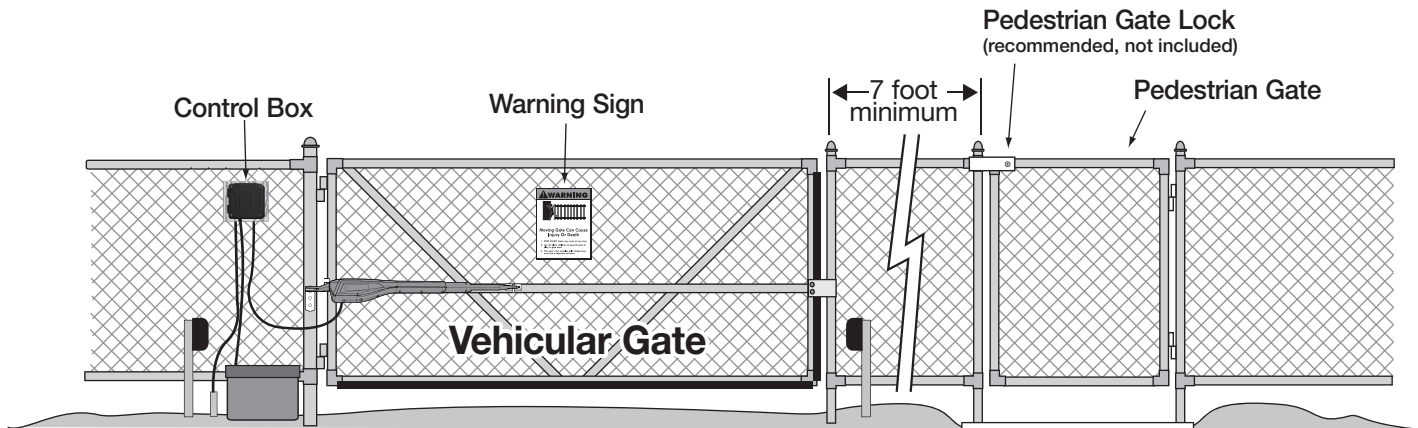
# Important Safety Information

## Installing Warning Signs and Pedestrian Gates

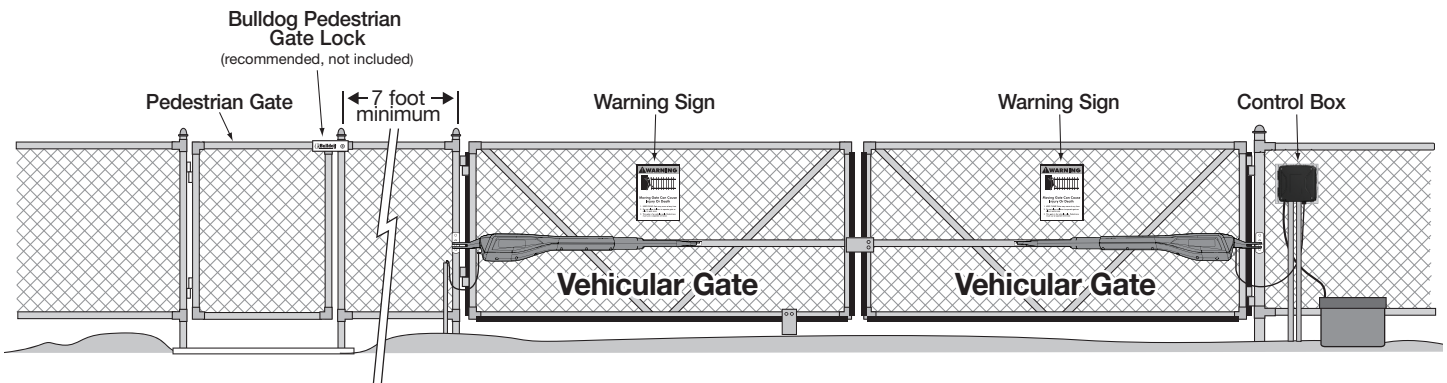
Warning signs alert people of automatic gate operation and are required when installing Mighty Mule Automatic Gate Operators. A minimum of two WARNING SIGNS must be installed in the area of the gate. Each sign is to be visible by persons located on the side of the gate on which the placard is installed.

The operator is intended for installation only on gates used for vehicles. Pedestrians must be supplied with a separate access opening. The pedestrian access opening shall be designed to promote pedestrian usage. Locate the gate such that persons will not come in contact with the vehicular gate during the entire path of travel of the vehicular gate.

We recommend using the Bulldog Pedestrian Gate Lock (PN: FM145; call the Sales Department at 800-421-1587) for controlled access.



**Example of MM371W Installation**  
(Installations vary slightly on different types of gates)



**Example of MM372W Installation**  
(Installations vary slightly on different types of gates)

## Warning Signs

The gate operator is provided with two safety warning signs (four signs for dual operator installation). The signs **MUST** be installed on the front and back of the gate where they will be visible in the area of the gate.

Permanently secure each warning sign to the gate.

Immediately replace a damaged, illegible or missing warning sign.

Call Customer Service at 800-421-1587 for a free replacement.



# Important Safety Information

## Required Safety Precautions for Gates

These warning labels should be found at the locations specified below. If any of them are missing, immediately contact Customer Service for replacements.



Labels (1) installed on the front of control box

# Technical Specifications

## Mighty Mule 371W/372W Gate Opener

### DRIVE

Low friction screw drive (linear actuator) rated for -5 °F to +160 °F (-20 °C to +71 °C).

Powered by a 12 V motor with integral gear reducer. Motor speed reduced to 348 rpm at 12 V.

Maximum opening arc of 110°. Approximate opening time (90°): 14 seconds, depending on weight of gate.

### POWER

The system is powered by a 12 Vdc automotive, lawn tractor or marine battery (required but not included).

Battery charger is on the controller board and maintained by an included 120Vac to 19VDC output transformer or by optional Solar Panels; the solar panels should generate minimum of 10 Watts (600 mA/20 watt max.). A diode on the control board prevents battery discharge.

**IMPORTANT:** Never use *both* transformer and solar panel— this will damage the battery and control board.

Three (3) Mini blade-style fuses rated for 25A. Do not replace fuses with higher ampere rated fuses; doing so will void your warranty and may damage your control board.

**NOTE:** The transformer should not be directly connected to any battery.

### CONTROL

Microprocessor-based control board is set for single or dual leaf, pull-to-open or push-to-open installations.

Control board has temperature compensated circuits.

Learn based digital transmitter technology provides millions of codes for enhanced security. Receiver is tuned to 318 MHz

RF receiver tuned to 318 MHz.

Opener length with push-pull tube fully retracted is 37 1/4", mounting point to mounting point. Maximum stroke is 17".

Adjustable auto-close timer (OFF to 3–120 seconds), and Dual Sense Technology™ stall force.

Power terminal block accommodates a transformer or solar panels.

Accessory terminal block fully compatible with all Mighty Mule access controls.

Control board allows connection of edge sensors and photoelectric sensors.

Audio entrapment alarm sounds if unit encounters an obstruction twice while opening or closing.

### OPERATIONAL CAPACITY

Maximum Weight (lbs.)	Maximum Length (ft.)
550	8
500	10
450	12
400	14
350	16

**NOTE:** BALL BEARING HINGES SHOULD BE USED ON ALL GATES WEIGHING OVER 250 LB.

The Gate Capacity Chart below shows the recommended maximum gate length to weight. The minimum recommended gate length is 5 ft. Maximum gate size: 300 lbs., 12' long.

# Before You Begin

## Powering Options

### 1. Determine Charging Option for Battery: Transformer OR Solar

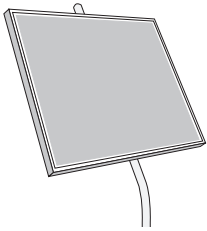
NEVER USE TRANSFORMER AND SOLAR PANEL(S) AT THE SAME TIME. It will damage the control board.

#### IMPORTANT:

- The Mighty Mule 371 and 372 are designed and intended for use with a 12 Volt automotive, marine or lawn tractor battery. The battery must be placed inside a weatherproof case and located within 6' of the control box. The 8' battery harness connects the battery to the control board.
- The battery charge is maintained by the 19 Volt transformer included OR optional solar panel(s). The transformer OR solar panel is connected to the control board using low voltage, 16 gauge, dual conductor, multi-stranded, direct burial wire [RB509] (page 48).
- The transformer is intended for indoor use (not included). If the transformer can only be plugged into an outside electrical outlet, a weatherproof cover or housing must be used.
- If your gate is more than 1000' from an AC power source, you will need to use a solar panel charging kit (minimum 10 watts). Refer to the Solar Panels and Gate Activity Chart below.

\* If the gate operator controller is OFF, the system will NOT charge the battery.

## Solar Panel and Gate Activity Chart



The table and map illustrate the maximum number of gate cycles to expect per day in a particular area when using from 10 to 30 watts of solar charging power prior to the

battery depleting to a state where the unit will not function. The figures shown are for winter (minimum sunlight). Accessories connected to your system will draw additional power from the battery.

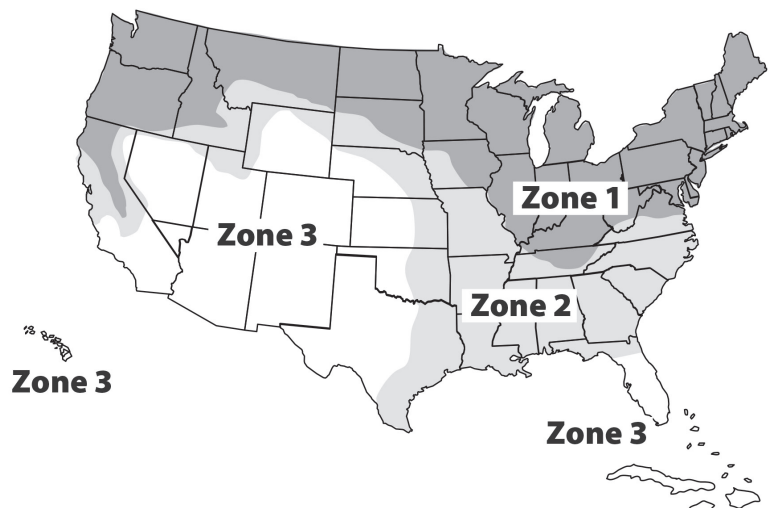
A deep cycle marine battery is recommended for solar and/or high traffic applications.

**NOTE:** UP to 250 ft. of dual conductor, 16 gauge, multi-stranded wire may be used to allow installation of solar panels in direct sunlight.

10 Watt Solar Panel [FM123]

Single Gate Winter Ratings	Zone 1	Zone 2	Zone 3
12 v single gate (10 watts) solar charger	8	16	26
12 v single gate (20 watts) solar charger	14	28	38
12 v single gate (30 watts) solar charger	20	44	54

\* Power increments are for reference only.

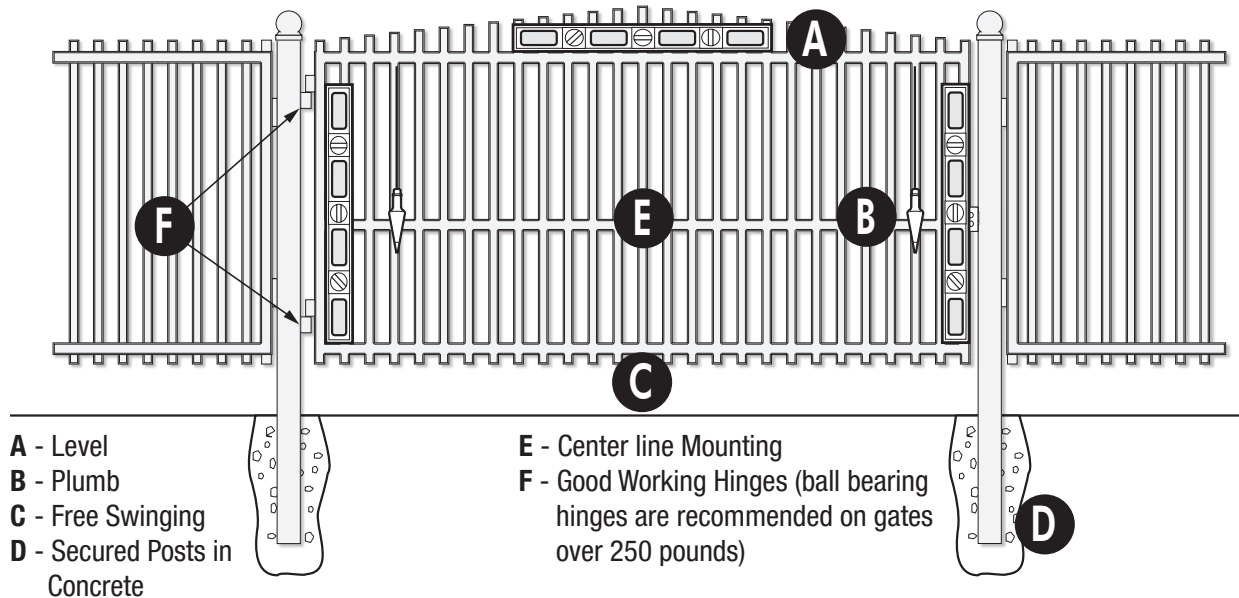


## Check Existing Gate Size and Material

- Gate size: Up to 16 feet and up to 550 lbs. — See Operational Capacity chart on **page 10**.
- Type of gate material: Vinyl, aluminum, chain link, farm tube, wrought iron, wood.
- ⚠ Not rated for use on solid surface gates.

## IMPORTANT: Check for Proper Gate Installation

- The gate must be plumb, level, and swing freely on its hinges.
- The gate must move throughout its arc without binding or dragging on the ground.
- Wheels must NOT be attached to the gate.
- Gates over 250 lb. should have ball bearing hinges with grease fittings.
- Post must be secured in the ground with concrete (minimizes twist/flex when the operator is activated).
- Make sure there is a stable area for mounting the gate bracket (this may require the addition of a horizontal or vertical cross member).
- We recommend you position the operator near the center-line of a gate to keep the gate from twisting and flexing, and to avoid back-splash from rain.



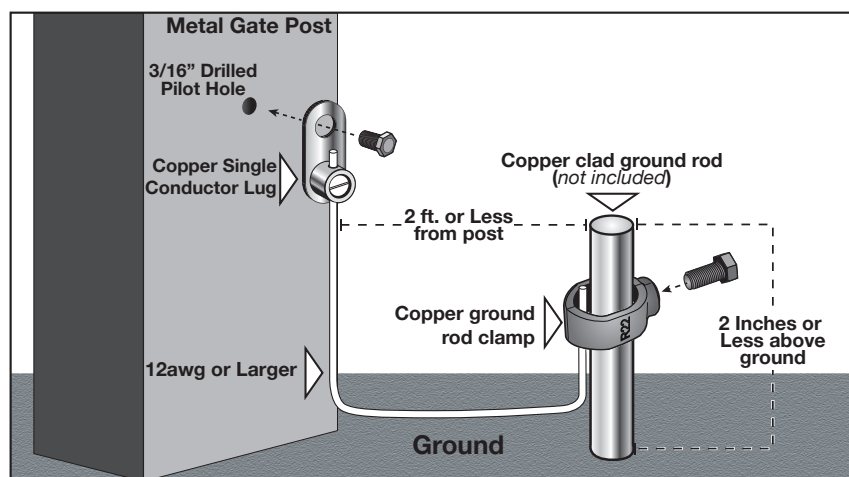
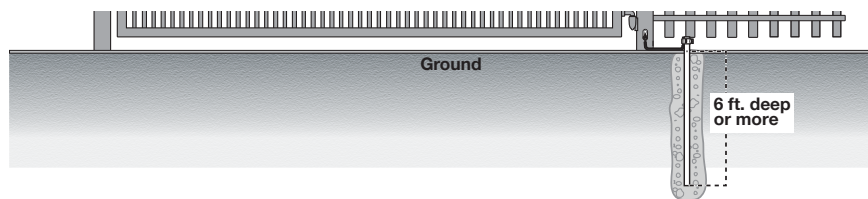
## Gate Grounding

- For reference only.

### Copper Clad Ground Rod (not included)

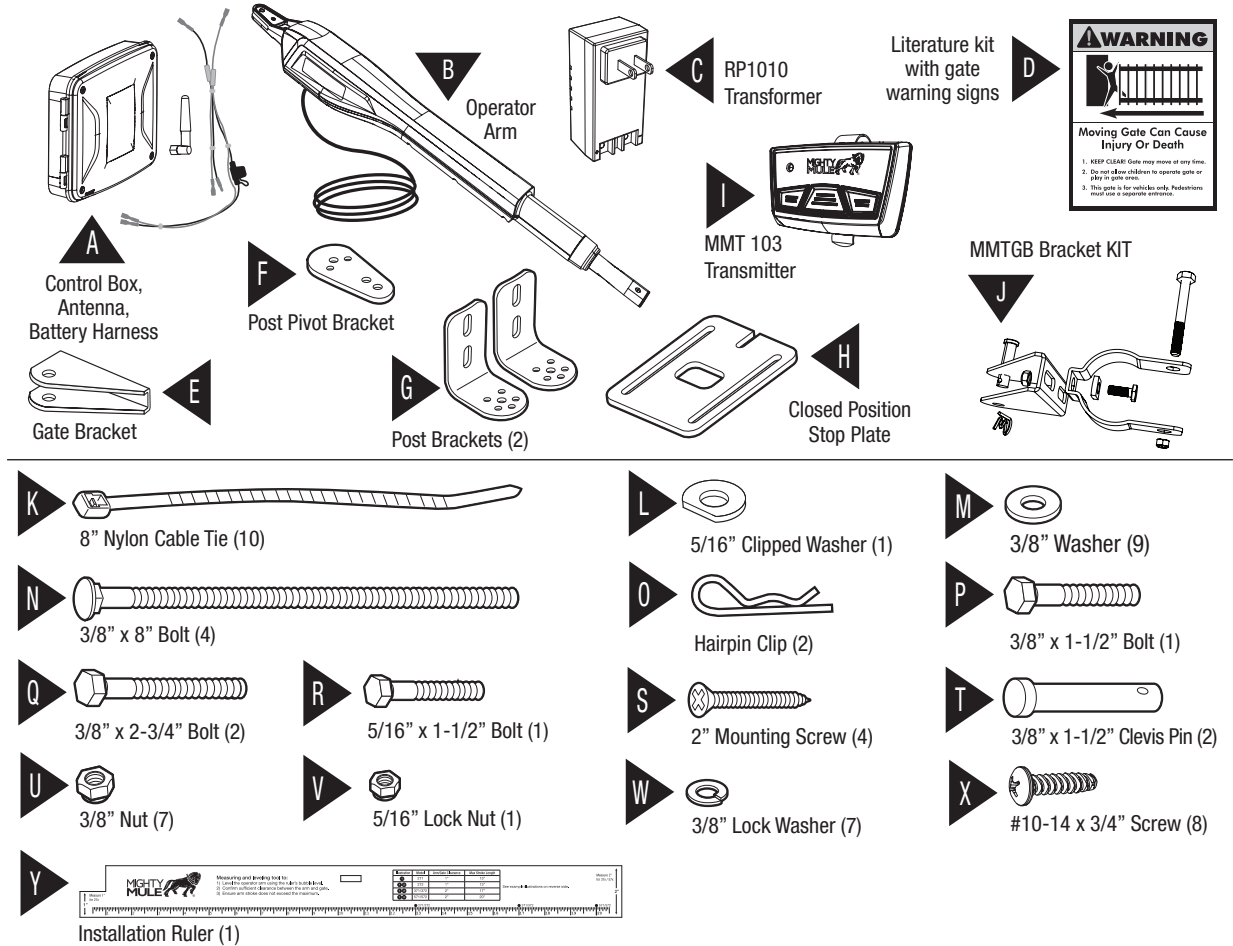
Use an 8 foot, 5/8 inch ground rod, positioned two feet or less from the post and 2 inches or less above the ground. Available at local home center or hardware stores.

**NOTE:** No grounding system absolutely protects against lightning strikes. If installed correctly, a grounding system will help minimize damage to your gate operator.

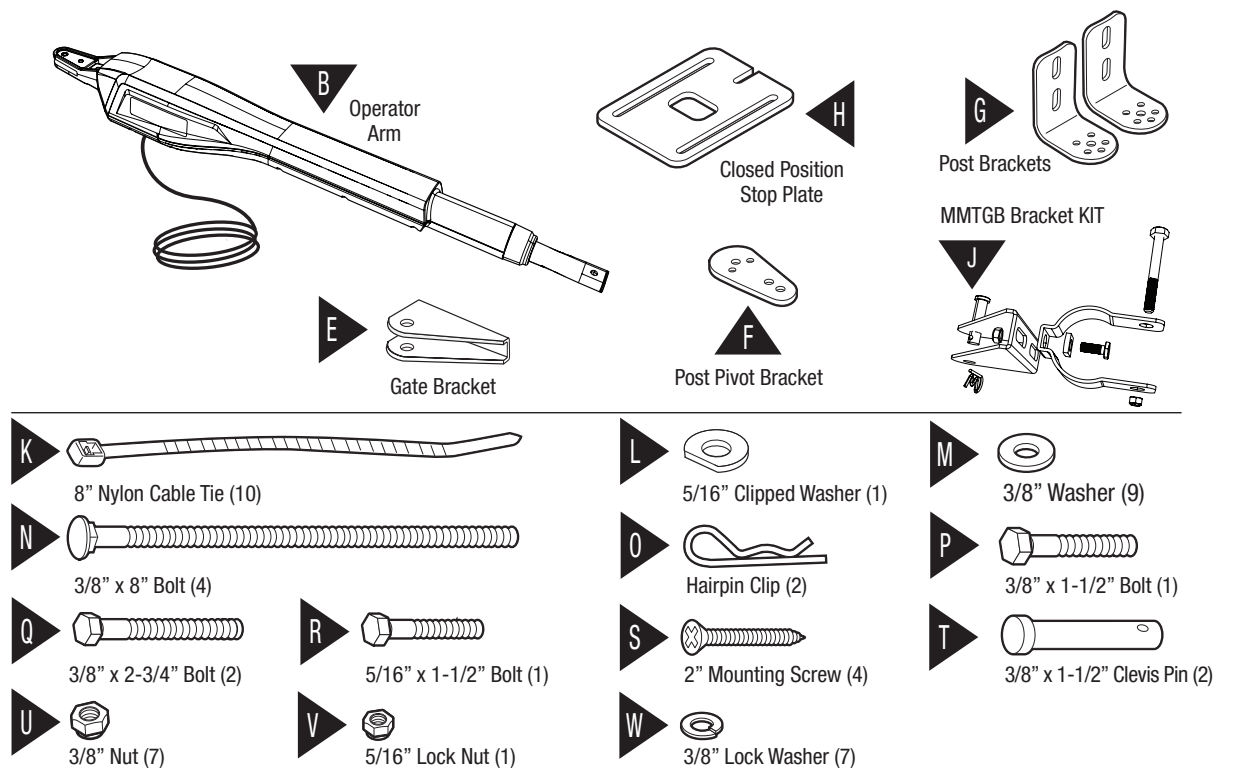




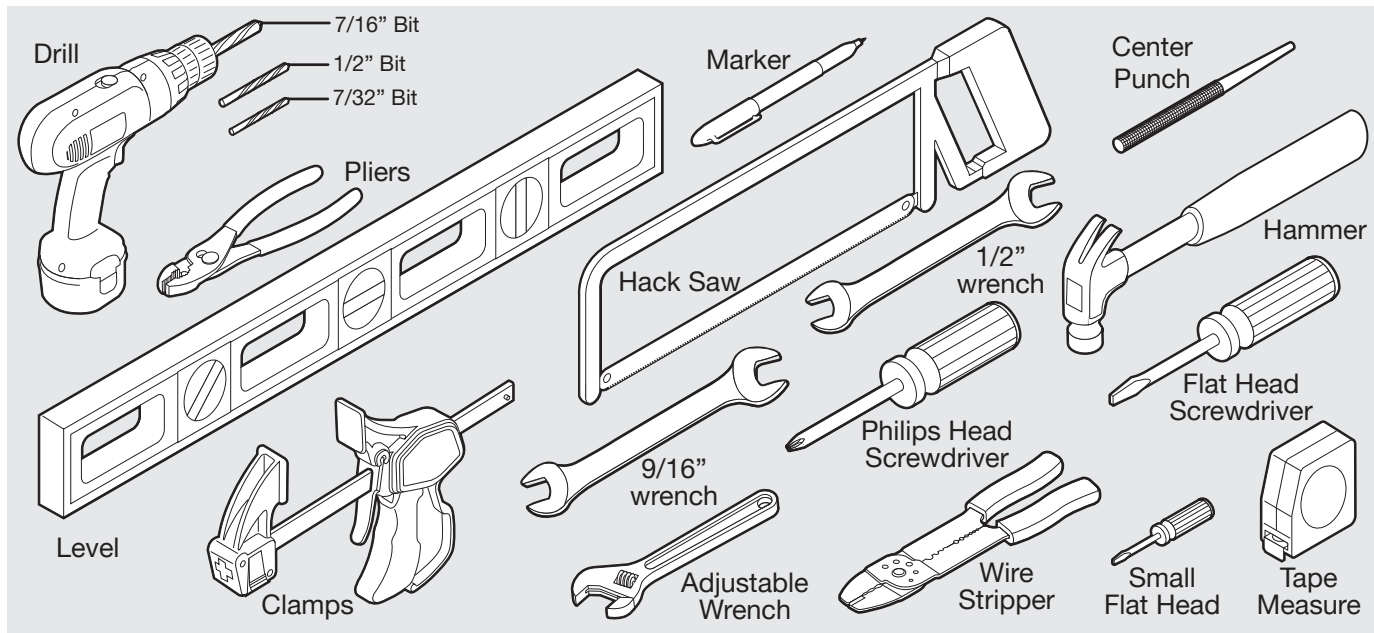
## Items Included for Primary Gate Opener Installation (MM371W)



## Additional Items Included for Secondary Opener Installation (MM372W)



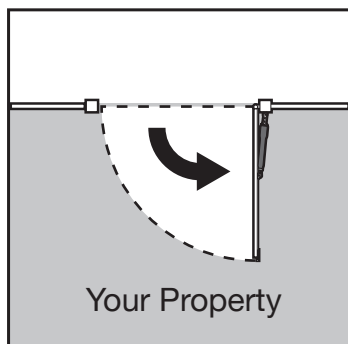
## Tools Needed



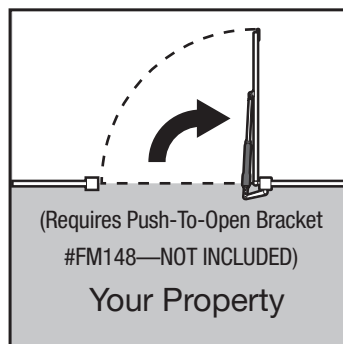
## Items Not Included

- 12 Volt Auto or Marine Battery
  - 16 gauge standard low voltage direct burial wire will be needed to run from the transformer and secondary arm to the control box; length depends upon the distance between the transformer power supply and the control box. See **Transformer/Solar Wiring** on **page 34**, and the accessory catalog [RB509].
  - PVC conduit.
- NOTE:** PVC conduit is recommended for wire going across the driveway, as well as above ground wires going to the control box.
- If you have thin-walled tube or panel gates, see **Reinforcing Gates for the Gate Brackets**, next page.
  - Depending on the type of gate, a horizontal cross member or mounting plate may be needed to mount the front of the operator and gate bracket to the gate. See the **Reinforcing Gates for the Gate Brackets** examples, next page.
  - Surge protection for transformer.
  - Some types of installations require u-bolts.
  - Additional washers or a metal plate may be needed for wooden post.
  - Weatherproof cover for outdoor outlet and transformer.
  - If the post is larger than 6", bolts longer than 8" (Part M, pg. 13) are needed.

## Check Direction of Gate Swing



**Pull-to-Open Option**  
Instructions begin on page 17.



**Push-to-Open Option**  
Instructions begin on page 25.

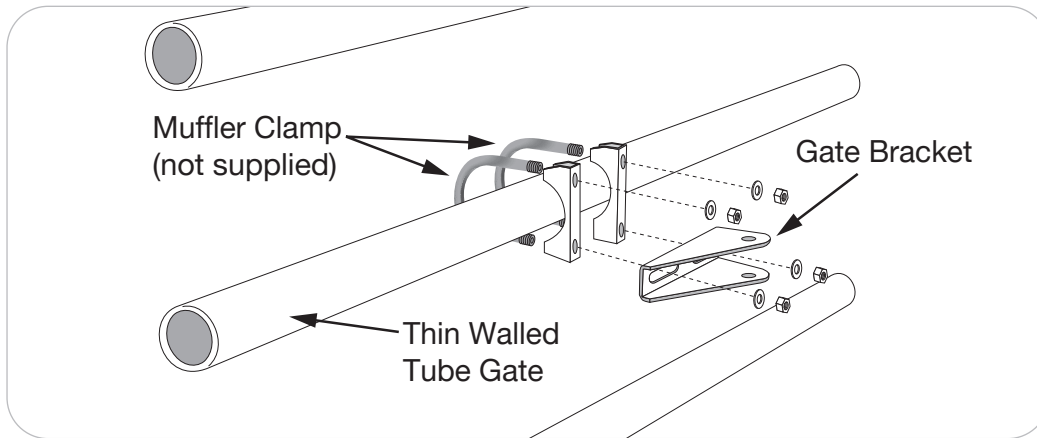
# Mechanical Installation

## Assessing the Gate for Installation

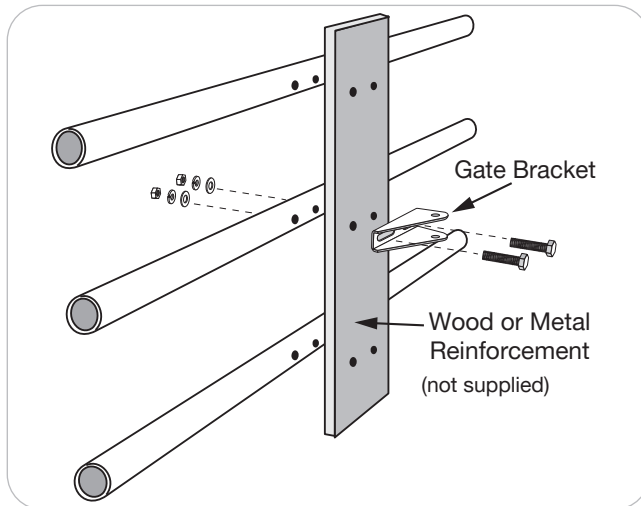
Your gate operator can be mounted to a variety of gate types. This section shows some of the most common, along with the reinforcement methods recommended prior to or while mounting your gate operator.

### Reinforcing Gates for the Gate Brackets

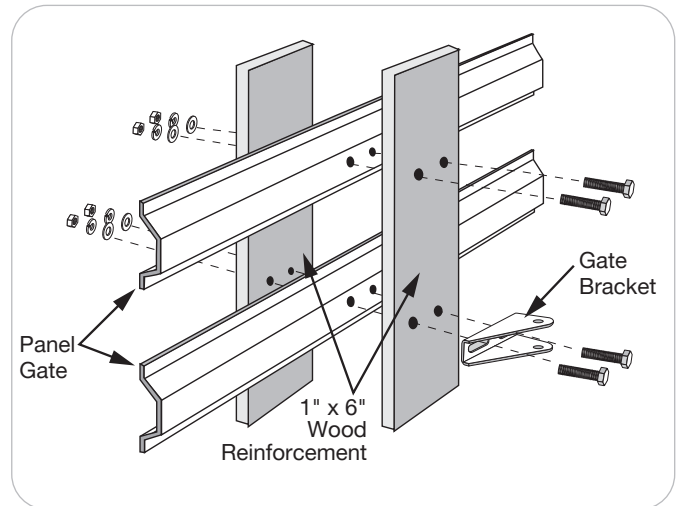
We recommend using a muffler clamp, wood, or metal, to reinforce thin-walled tube gates, or wood to reinforce panel gates as shown. These reinforcement methods will prevent damage to the opener and gate. Additional hardware may be needed depending on the installation. Additional hardware necessary but not included.



Muffler Clamp for Gate Bracket



Wood or Metal Reinforcement



1" x 6" Reinforcement

# MMTGB Bracket Installation

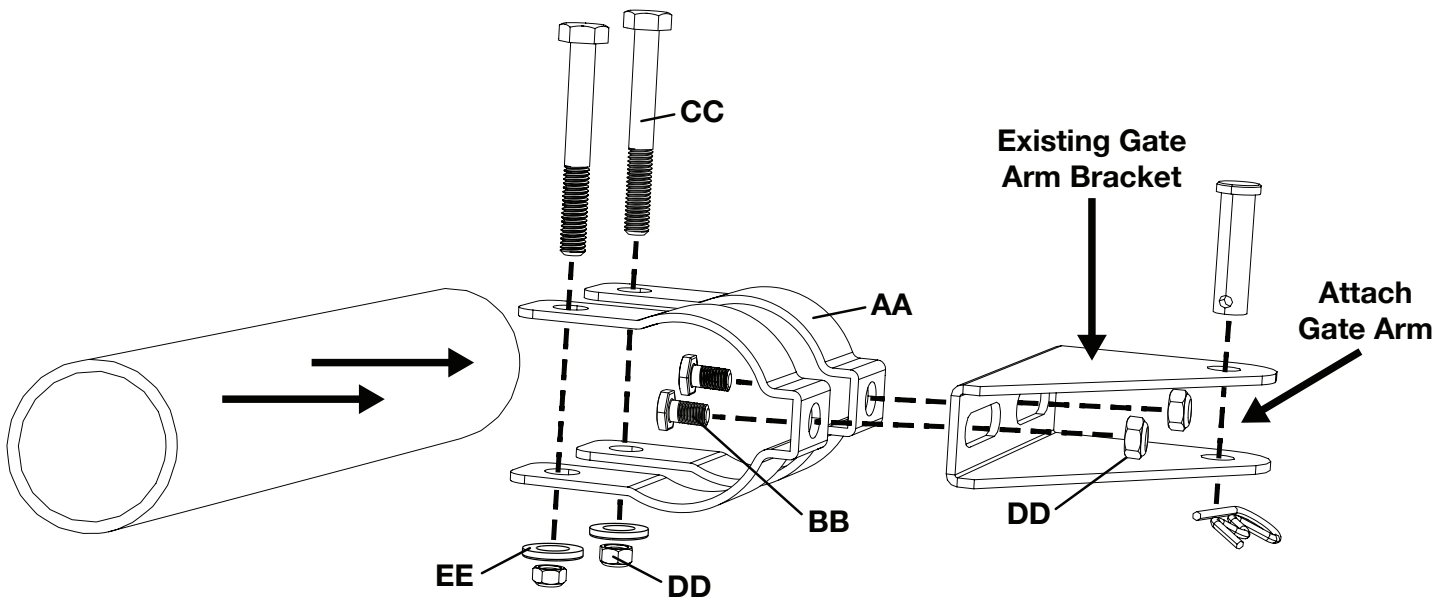
## MMTGB Parts Required

(2) Tube Gate Brackets	(2) 3/8-16 x 1" Hex Bolts	(2) 3/8-16 x 2.5" Hex Bolts	(4) 3/8-16 Hex Nuts	(2) 375 X .079 Washers
AA 	BB 	CC 	DD 	EE 

## MMTGB Installation to the Gate Controller and Gate

Follow the steps below to attach the MMTGB bracket to cylindrical gate:

- 1** Using the supplied 1" bolt and nut, connect the existing gate arm bracket to the MMTGB brackets. Do not tighten completely.
- 2** With the gate arm in its fully retracted position and the gate set in the desired open position, place the MMTGB onto the desired section of gate. See installation manual for push-to-open instructions.
- 3** Insert the supplied 2½" bolts through the eyes of the MMTGB, then add washers, and finally attach the nuts. Do not tighten completely.
- 4** Once the MMTGB is in place and arm is mounted snugly to the gate, verify the gate clearances then test the gate opener. Adjust as necessary.
- 5** After verifying the install meets the automatic gate opener specifications, adjust as necessary before tightening all hardware.

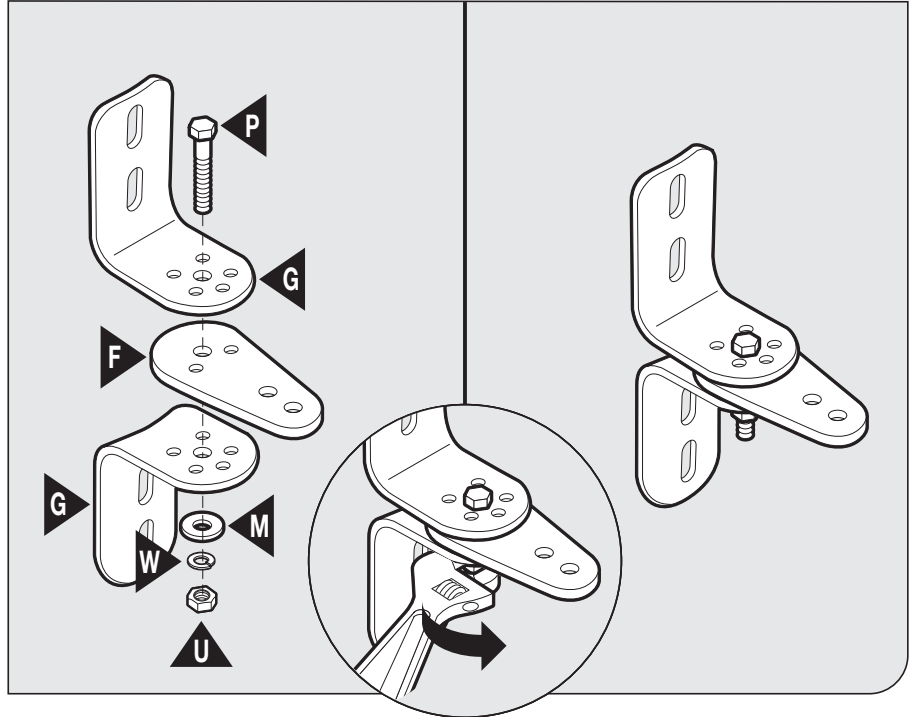




## Pull-to-Open Operator Mounting (Most Common)

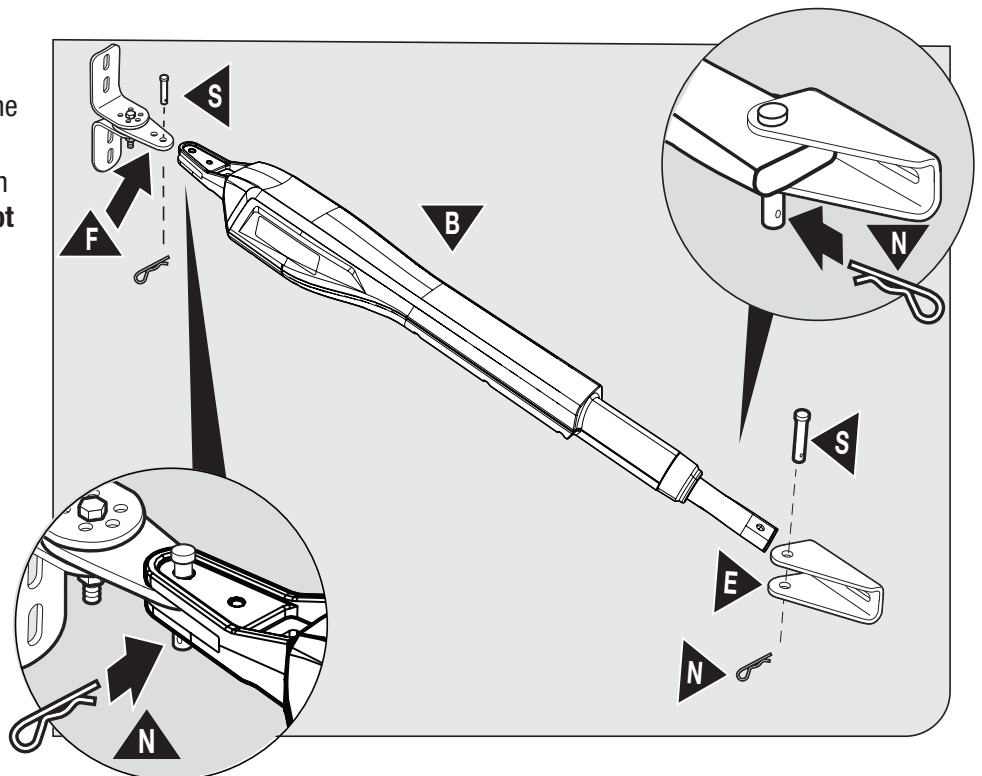
### Step 1

- Assemble the gate post bracket sub assembly as displayed.



### Step 2

- Attach the gate post bracket subassembly and gate bracket to the operator as shown.
- The operator must be retracted with the gate in the open position. **Do not spin out the inner cylinder.**



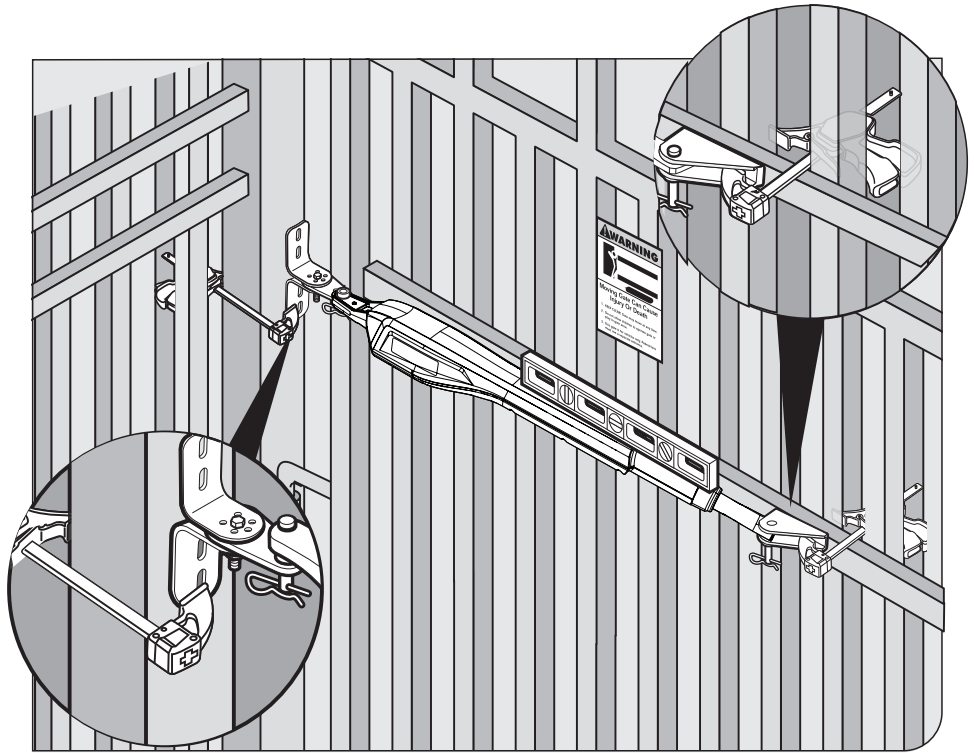


## Pull-to-Open Operator Mounting (Most Common)

**⚠ THE OPERATOR MUST BE INSTALLED WHILE FULLY RETRACTED, WITH THE GATE IN THE OPEN POSITION.**

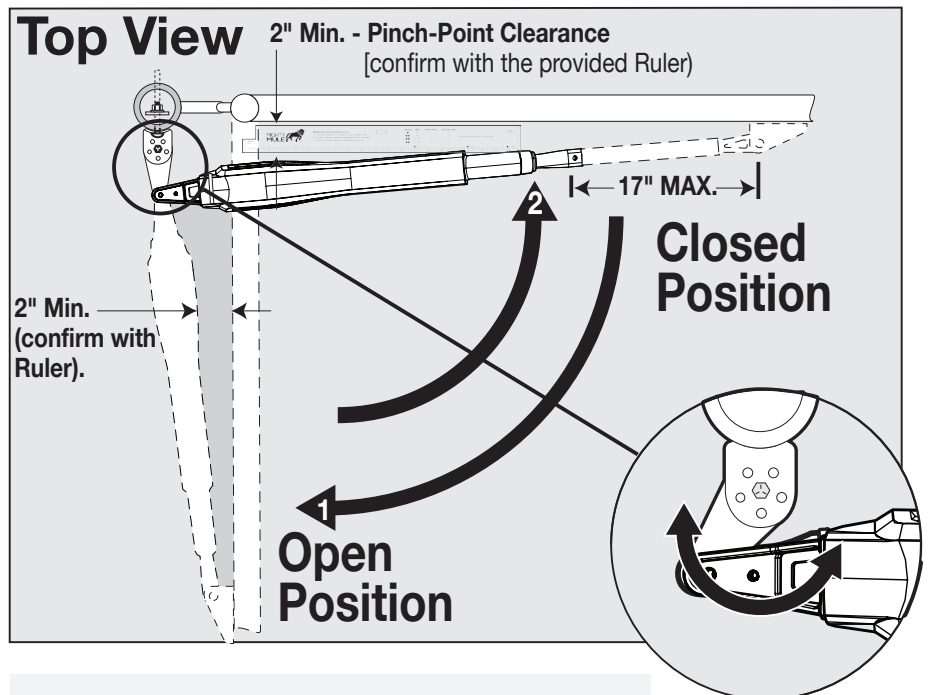
### Step 3

- With the gate in the OPEN position, use clamps to secure the operator to the gate post and center cross member of the gate.
- Ensure that the operator is level.
- With the operator arm temporarily secured to the gate, check to ensure there is at least 2 inches of clearance between the operator arm and gate. (See illustration in Step 4 below).



### Step 4

- Disconnect the operator arm from the gate bracket.
- **While supporting the operator in a level position**, swing the gate and operator to the closed position.
- Check for recommended clearances and binding as shown. **Ensure the rear mount of the operator does not press up against the post pivot bracket assembly in the closed position as indicated in the diagram to the right. Note the circled portion of the diagram.**
- Ensure that the necessary arm stroke does not exceed 17 inches.
- Make adjustments to the mounting brackets to achieve the recommended clearances.

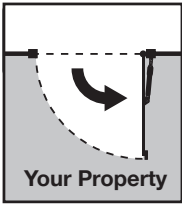


**IMPORTANT:** Without adequate clearance and alignment, the gate operator will NOT function correctly. To ensure proper installation, use the included Installation Ruler to install the operator and the bracket.

**TIP:** Turning the pivot bracket over gives more hole alignment options for the gate post pivot bracket assembly.

**IMPORTANT:** DO NOT ALLOW THE OPERATOR TO HANG ON THE POST BRACKET WITHOUT LEVEL SUPPORT. DOING SO WILL BREAK THE YOKE.

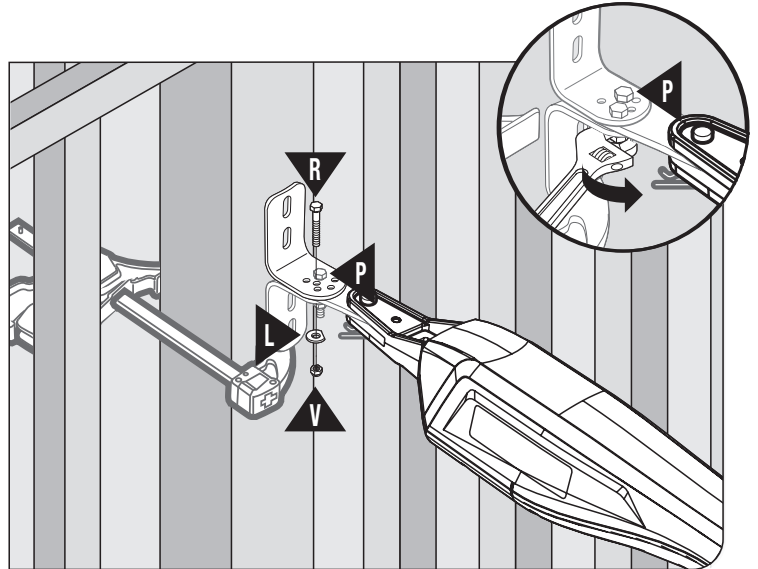
**WARNING:** ENSURE THE REAR MOUNT DOES NOT MAKE CONTACT WITH THE POST-BRACKET ASSEMBLY DURING ANY POINT OF THE GATE TRAVEL.



## Pull-to-Open Operator Mounting

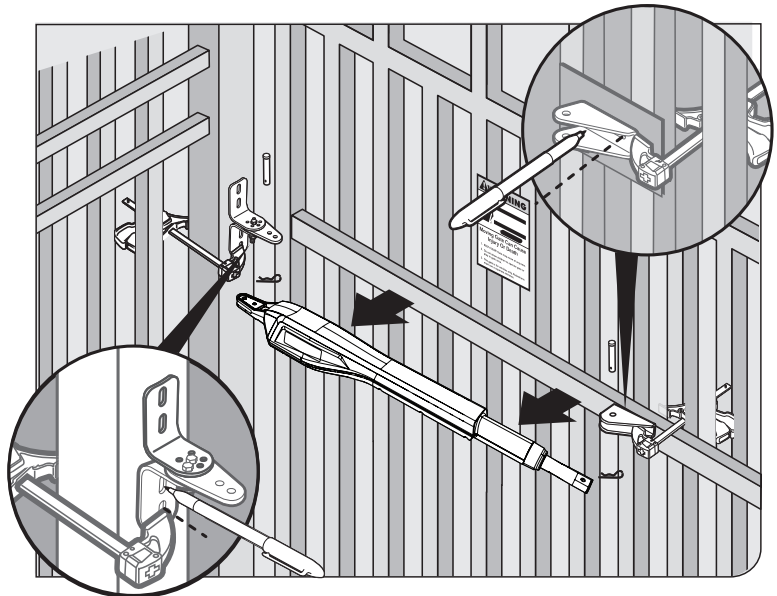
### Step 5

- Open the gate and reattach the operator to the gate bracket.
- Ensure that the operator arm is level and the brackets are securely clamped.
- Secure the post pivot bracket in place by installing the hardware shown. Tighten both bolts (O and Q).



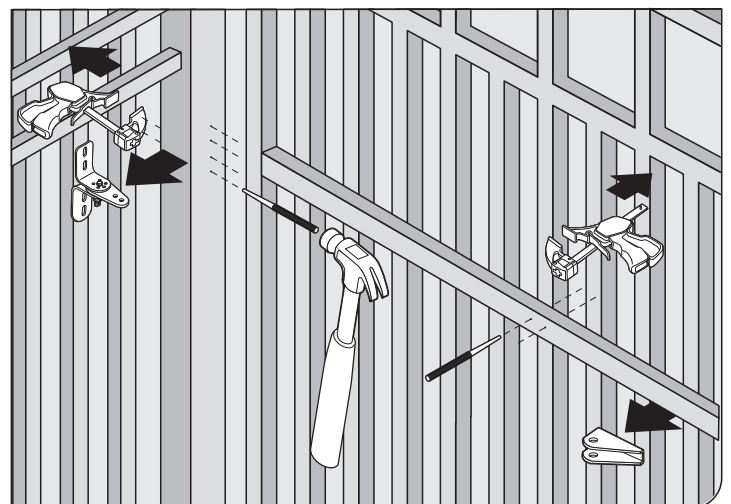
### Step 6

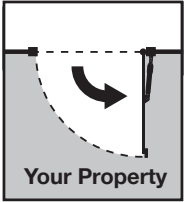
- Using a permanent marker, mark the center of the mounting locations for the gate post bracket subassembly.
- Remove the operator arm from the gate post and gate brackets.
- Mark the center of the mounting locations for the gate bracket.



### Step 7

- Remove the gate post and gate brackets.
- Use a hammer and center punch to mark the center of the mounting locations.



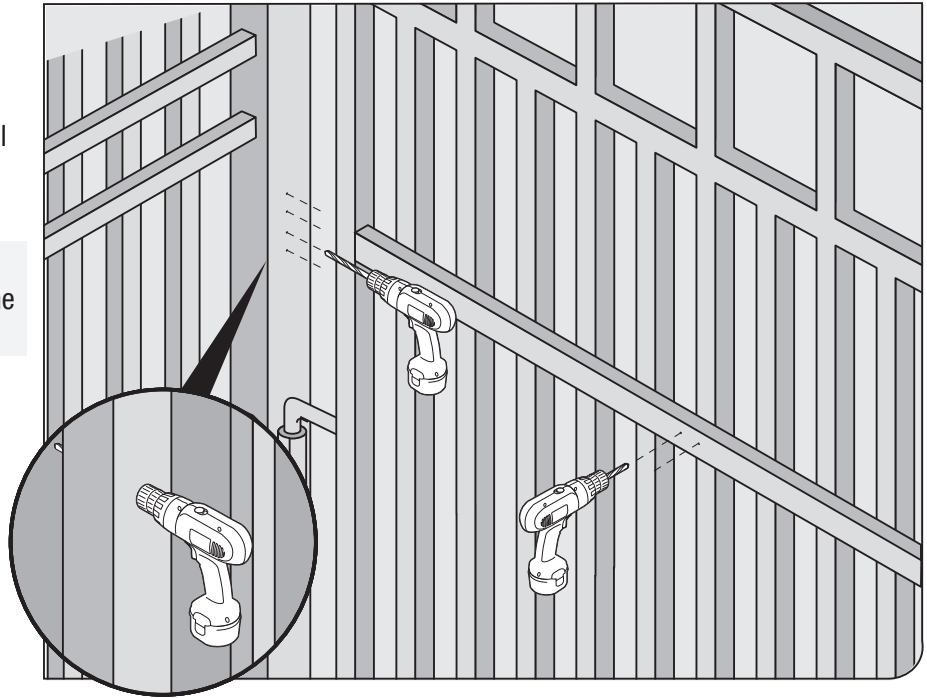


## Pull-to-Open Operator Mounting

### Step 8

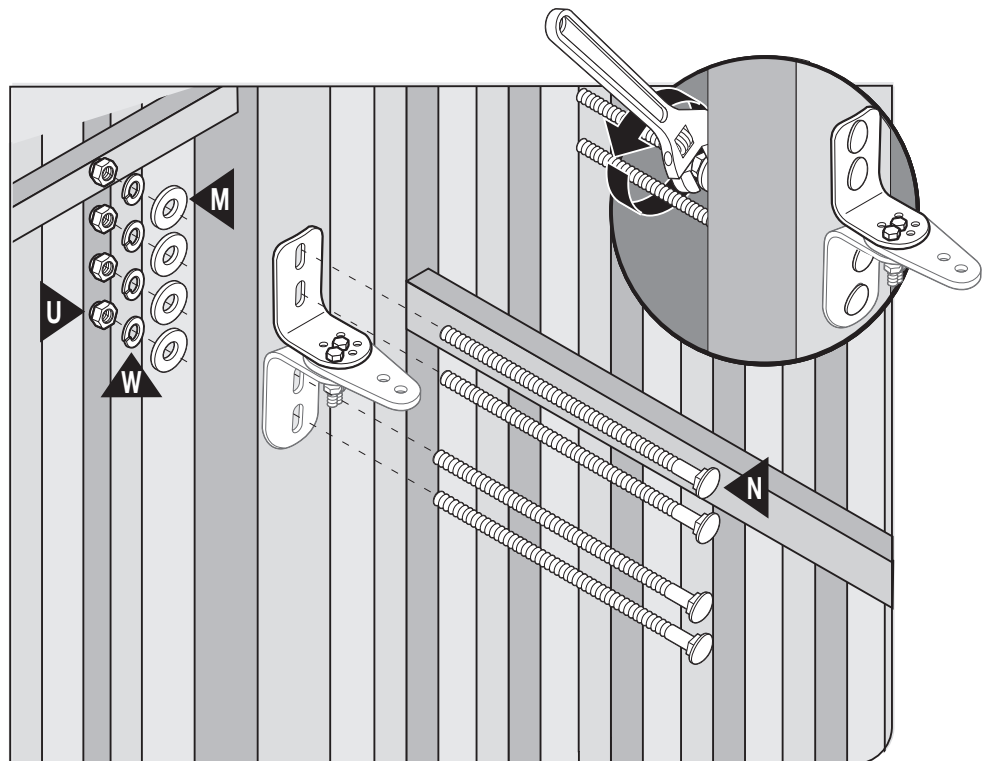
- Using a drill and 7/16" drill bit, drill the necessary holes to mount the gate post and gate brackets.

**NOTE:** Some installations may require additional reinforcement be installed on the gate. See **page 15**.



### Step 9

- Secure the gate post bracket subassembly with the supplied hardware as shown.





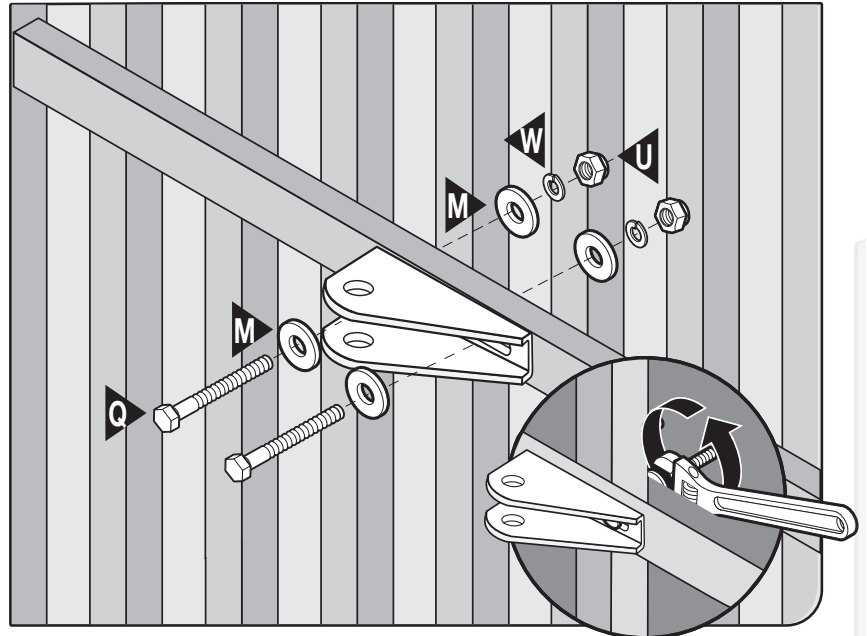


## Pull-to-Open Operator Mounting

### Step 10

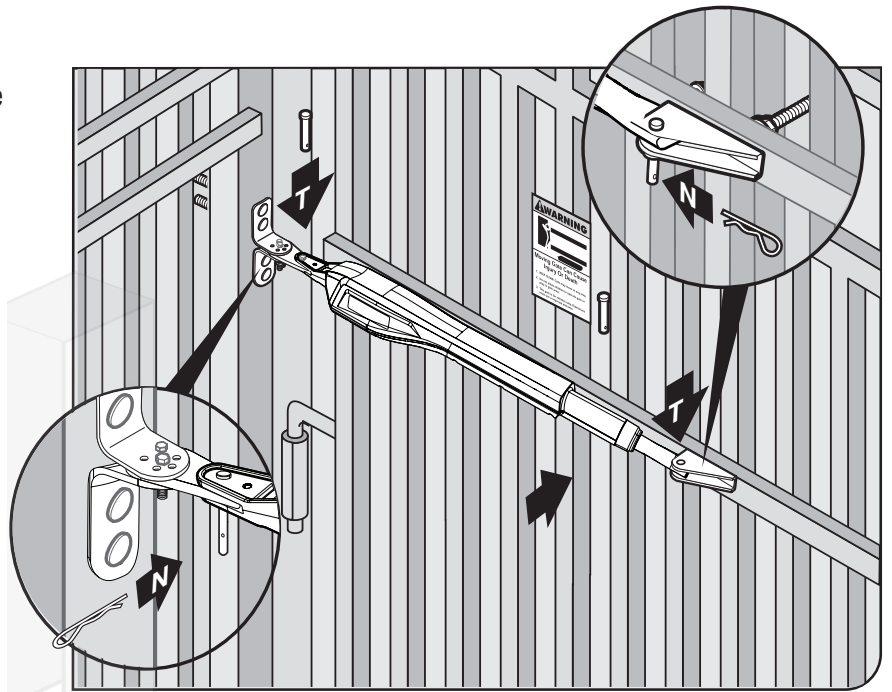
- Secure the gate bracket with the supplied hardware as shown.

**IMPORTANT:** Without adequate clearance and alignment, the gate operator will NOT function correctly. To ensure proper installation, use the included Installation Ruler to install the operator and the bracket.



### Step 11

- Once the gate post and gate brackets are installed, reattached the operator arm.
- Ensure the operator arm is level, adjusting the post bracket location if necessary.
- Once level, ensure all hardware is tight.
- Remove excess bolt length with a hacksaw.



#### Installing the Secondary Operator (MM372W only):

**NOTE:** The Primary arm must be installed on the side near the control box.

Install the secondary operator on the remaining leaf by repeating the same process illustrated in steps 1-11 above.

**NOTE:** You will need PVC to run the secondary operator power cable and any hard wired accessory wires under the driveway to the control box (use of conduit is recommended).

#### Installing the Control Box:

Installing the control box on the gate leaf closest to the power source or desired solar panel location is recommended. The primary operator arm must be located on the gate leaf next to the control box (see **page 31**).

See front page of this manual for a complete installation example. After you have mounted the second operator, proceed to Installation of the Closed Position Stop Plate on the following pages.

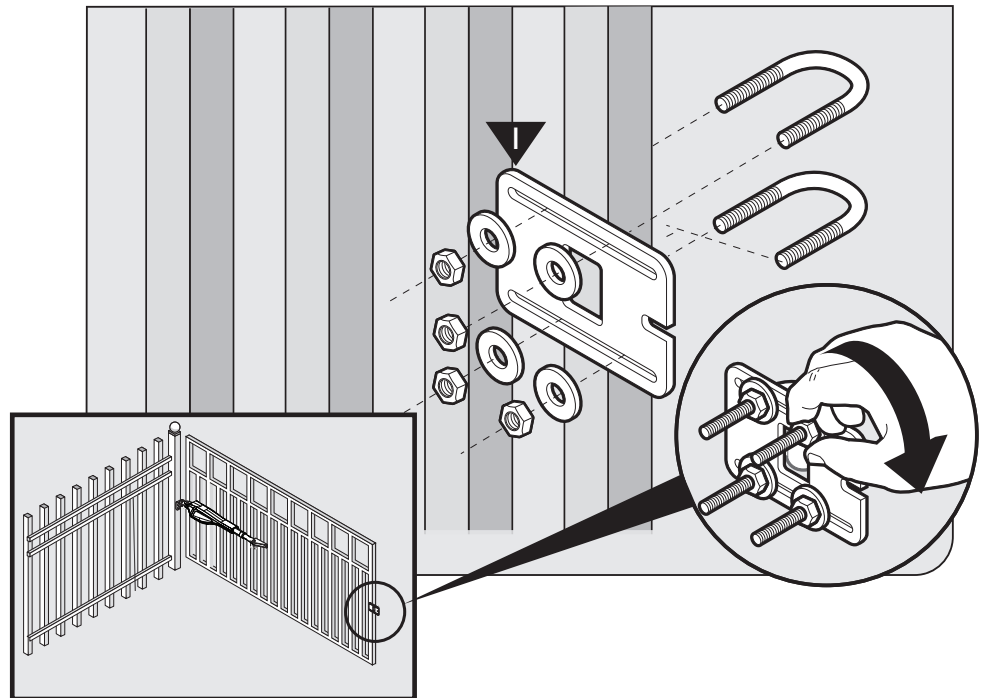


## Installing the Closed Position Stop Plate / Pull-to-Open

(For single gate applications)

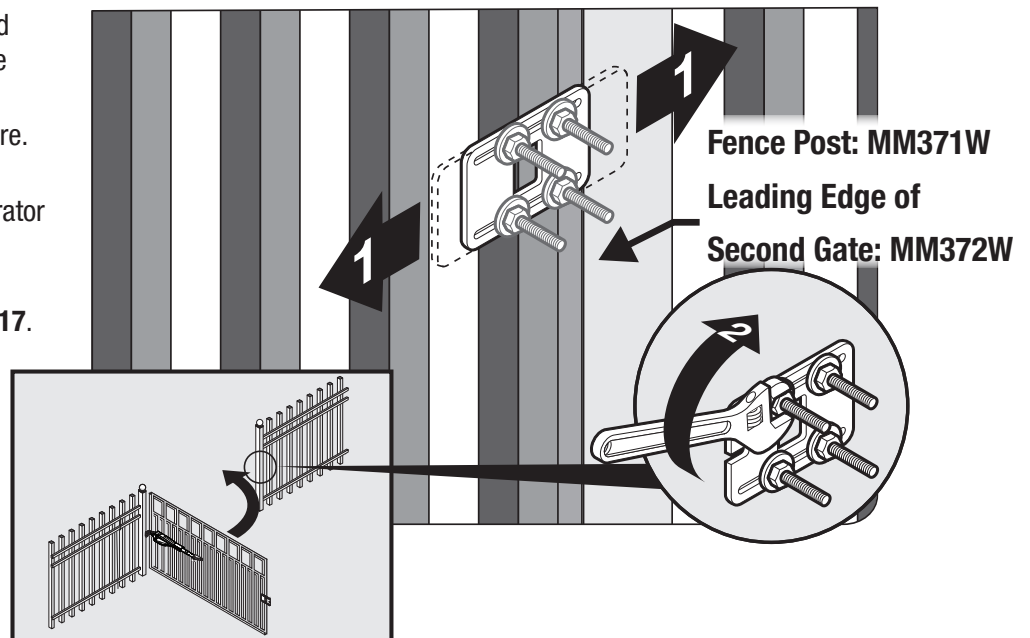
### Step 1

- Remove the operator from the gate post and gate brackets.
- With the gate fully open, install the closed position stop plate (hardware not included).
- Do not fully tighten hardware until after the next step.



### Step 2

- Swing the gate to the closed position, and adjust the closed position stop plate against the fence post.
- Tighten the mounting hardware.
- Return the gate to the open position and reinstall the operator arm.
- To complete the pull-to-open installation, proceed to **page 17**.



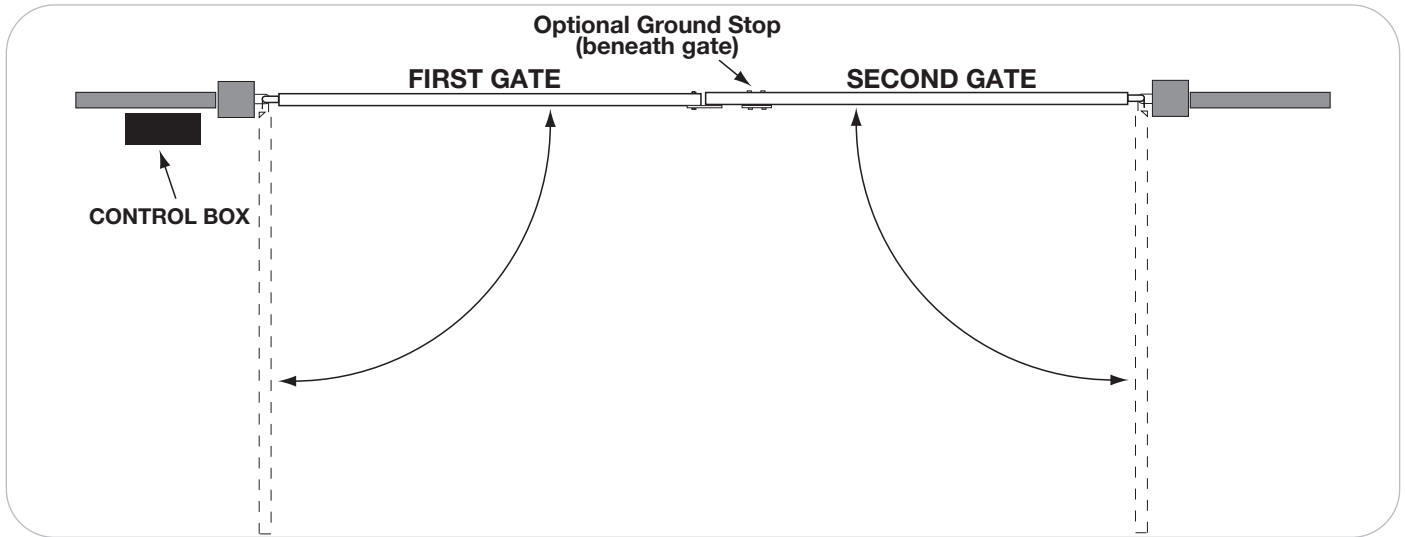
**NOTE:** For MM372W installations, the closed position stop plate should be installed on the leading edge of the PRIMARY gate leaf, and adjusted to close against the leading edge of the SECONDARY gate leaf.

## Install the Ground Stop Plate (FOR MM372 INSTALLATIONS)

An optional low profile ground stop, when used with the closed position stop plate, provides a secure point for the SECOND gate to close against.

To further enhance the stability and security of your gate, install a Mighty Mule Automatic Gate Lock [FM143]. If you will be using the Mighty Mule Gate Lock with your gate opener system, the closed position ground stop is required.

**For Pull-to-Open systems, install the Ground Stop Plates on the *inside* of the gates.  
For Push-to-Open systems, install the Ground Stop Plates on the *outside* of the gates.**

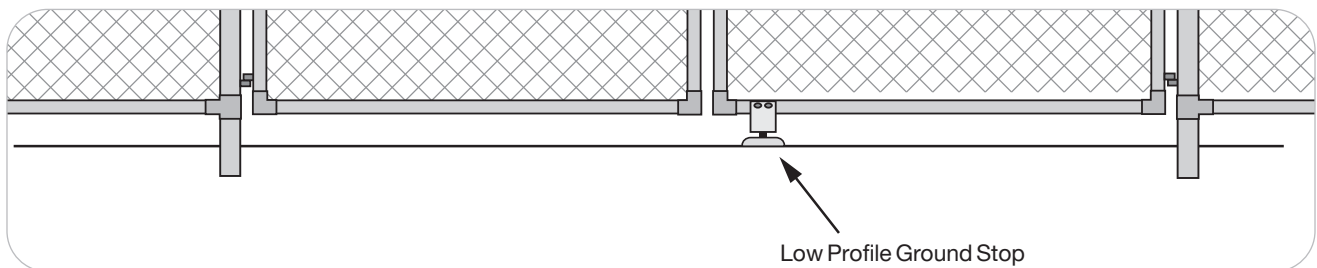


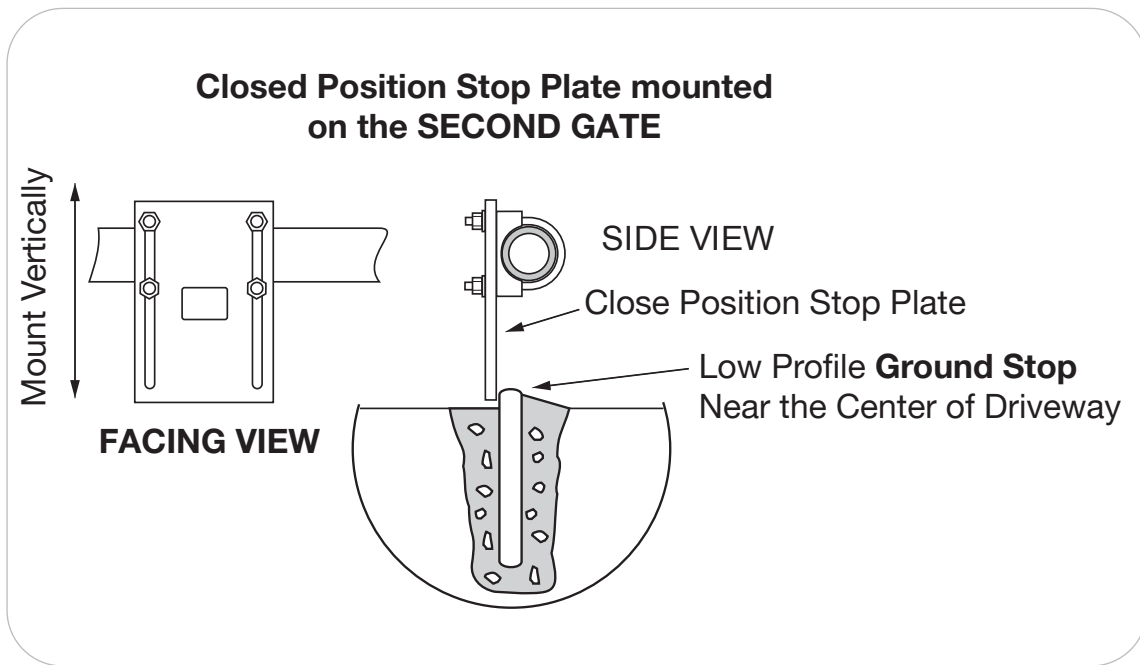
### Step 1

Detach the gate opener arms from the gates and move the gates to the closed position.

### Step 2

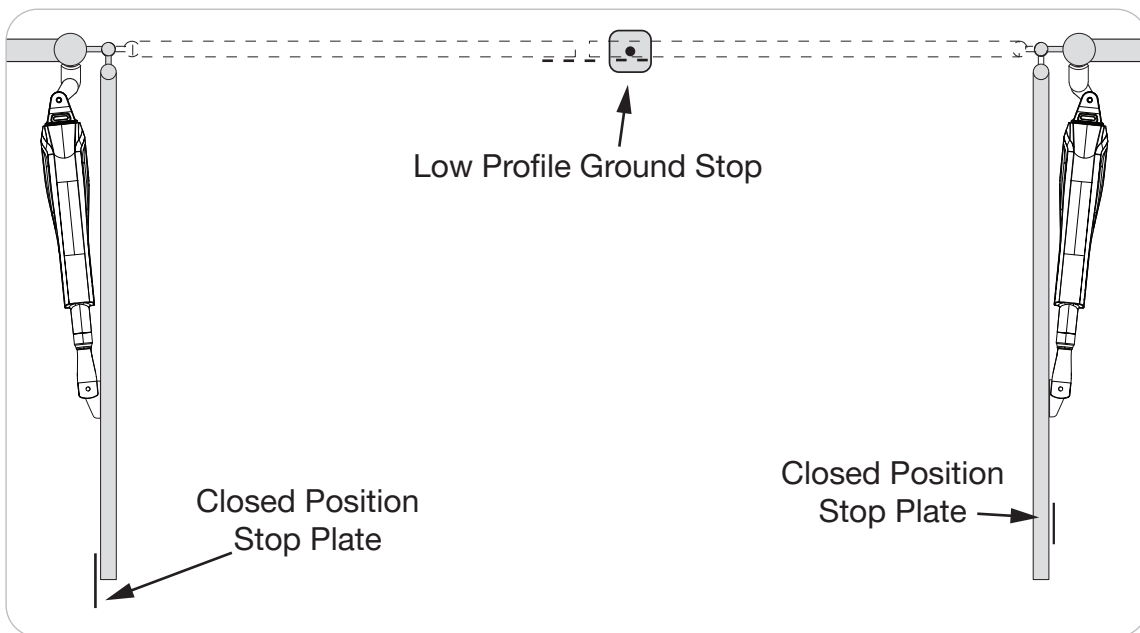
The low profile ground stop may be made of metal or concrete and should be firmly secured in the ground. The low profile ground stop should be installed beneath the SECOND gate, positioned near the leading edge.





### Step 3

Using appropriate hardware (not provided) for your type of gate, attach the vertical closed position stop plate to the **SECOND** gate frame at the point where it will come in contact with the low profile ground stop. Do not tighten it completely at this time. You must slide the closed position stop plate toward the low profile ground stop until they touch. Once you have moved the stop plate to the correct position, tighten its hardware completely.



### Step 4

Return the gates to their open positions and reattach the gate openers to the gates.

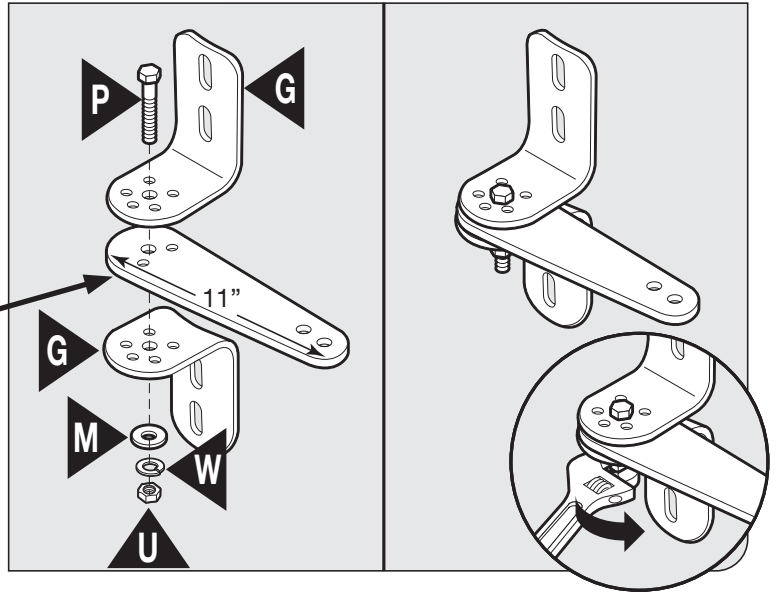


## Push-to-Open Operator Mounting

### Step 1

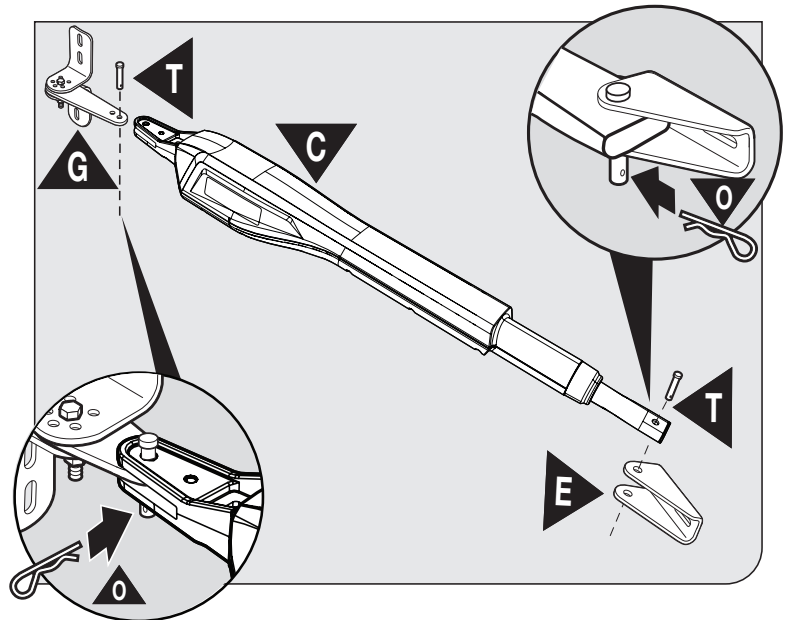
- Assemble the gate post bracket subassembly as shown with the Push-to-Open pivot bracket (FM148). Must be purchased separately.

Push-to-Open pivot bracket (FM148)



### Step 2

- Attach the gate post bracket subassembly and gate bracket to the operator as shown.
- The operator must be fully retracted with the gate in the desired closed position. Do not spin out the inner cylinder.





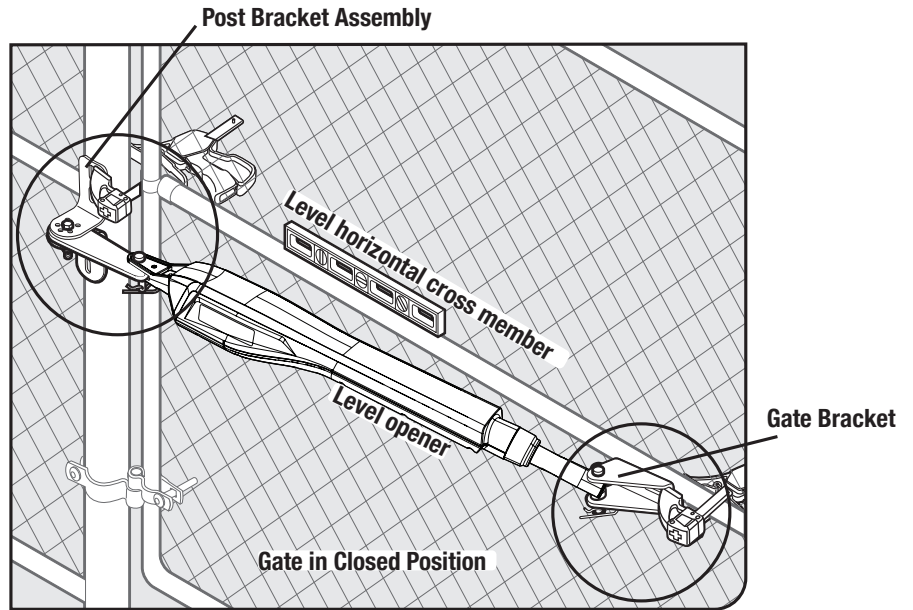
## Push-to-Open Operator Mounting

**WARNING:** THE OPERATOR MUST BE INSTALLED WHILE FULLY RETRACTED, WITH THE GATE IN THE CLOSED POSITION.

### Step 3

- With the gate in the CLOSED position, use clamps to secure the operator to the gate post and center cross member of the gate.
- Ensure that the operator is level.
- With the operator arm temporarily secured to the gate, check to ensure there is at least 2 inches of clearance between the operator arm and gate. (See illustration in Step 4 below).

**IMPORTANT:** Without adequate clearance and alignment, the gate operator will NOT function correctly. To ensure proper installation, use the included Installation Ruler to install the operator and the bracket.

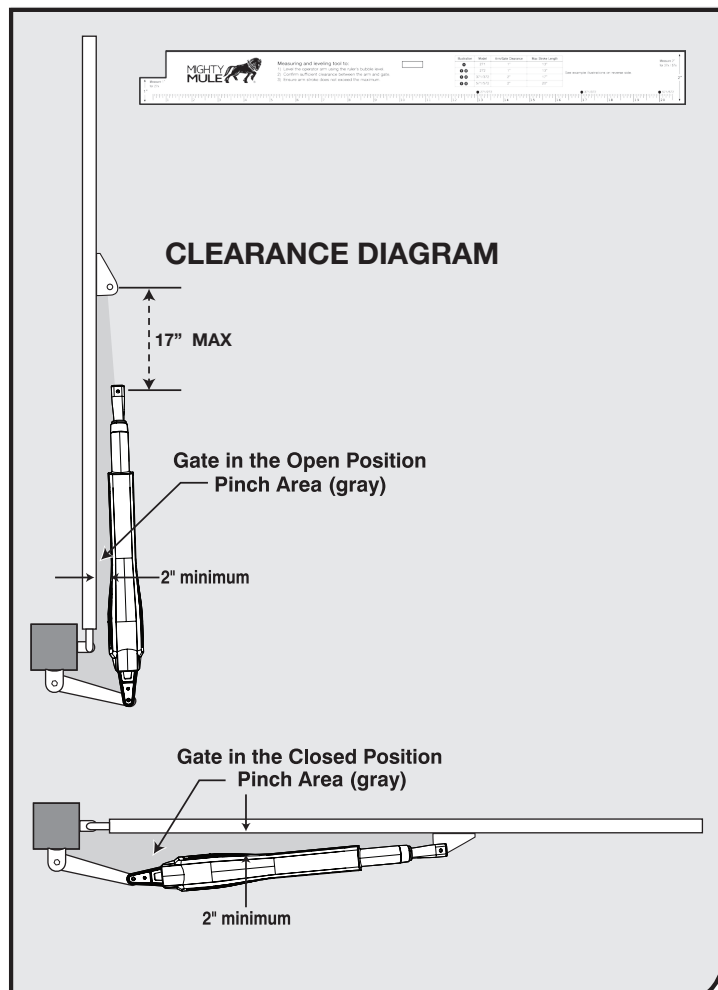


### Step 4

- Disconnect the operator arm from the gate bracket.
- While supporting the operator, swing the gate and operator to the OPEN position.
- Check for recommended clearances and binding as shown.
- Ensure that the necessary arm stroke does not exceed 17 inches.
- Make adjustments to the mounting brackets to achieve the recommended clearances.

**IMPORTANT:** Without adequate clearance and alignment, the gate operator will NOT function correctly. To ensure proper installation, use the included Installation Ruler to install the operator and the bracket.

**TIP:** Turning the pivot bracket over gives more hole alignment options for the gate post pivot bracket assembly. (Push-to-open pivot bracket (FM148) sold separately.)

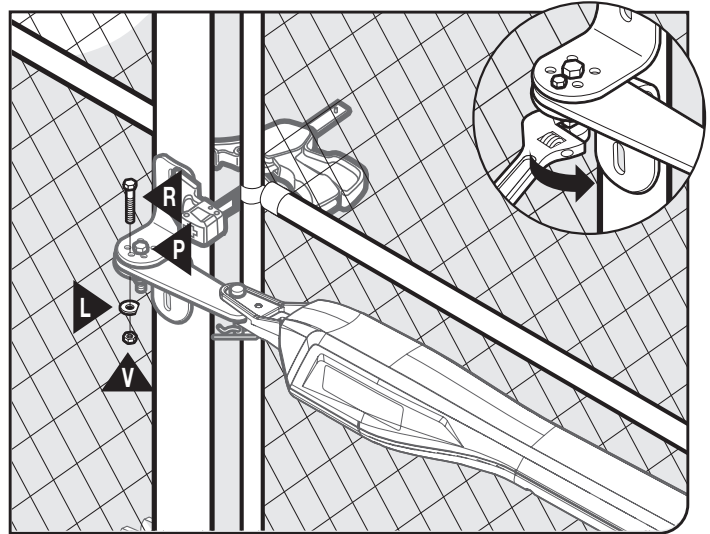




## Push-to-Open Operator Mounting

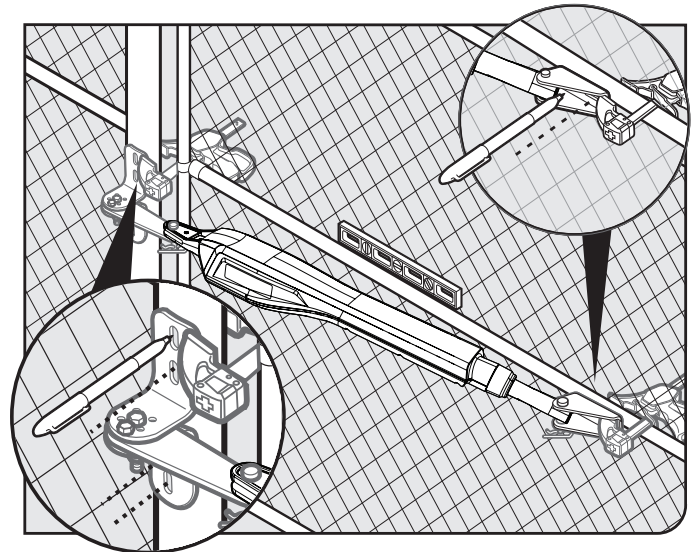
### Step 5

- Close the gate and reattach the operator to the gate bracket.
- Ensure that the operator arm is level and the brackets are securely clamped.
- Secure the push-to-open bracket in place by installing the hardware shown. Tighten both bolts 'O' and 'Q'.



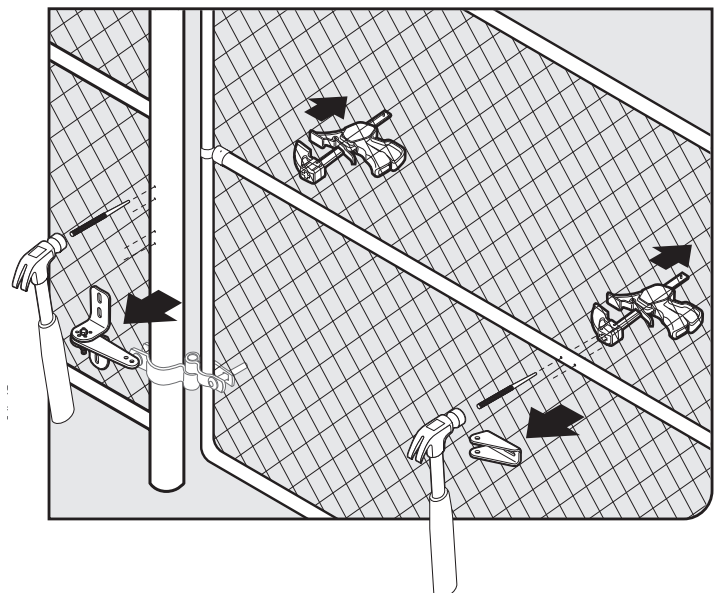
### Step 6

- Using a permanent marker, mark the center of the mounting locations for the gate post bracket subassembly.
- Remove the operator arm from the gate post and gate brackets.
- Mark the center of the mounting locations for the gate bracket.



### Step 7

- Remove the gate post and gate brackets.
- Use a hammer and center punch to mark the center of the mounting locations.



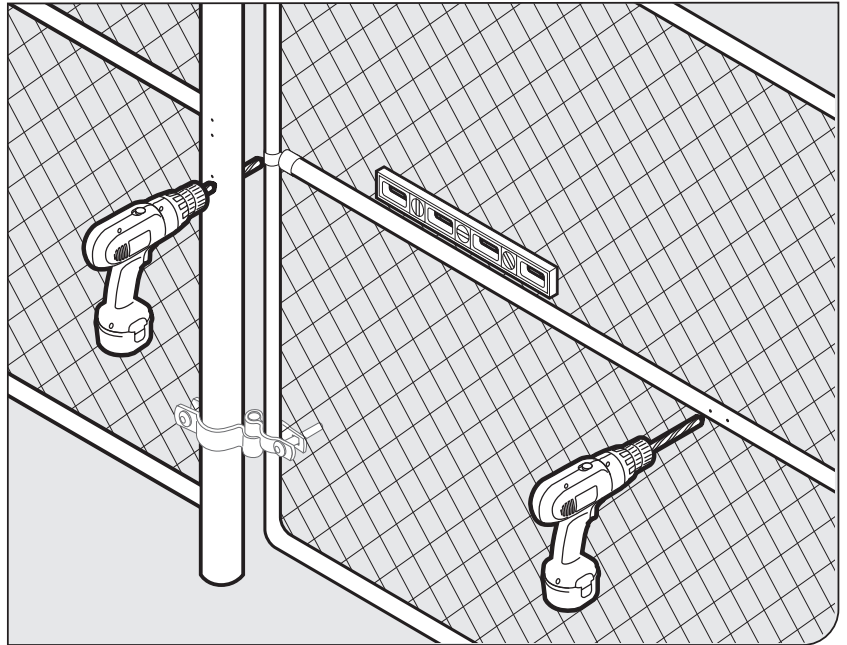


## Push-to-Open Operator Mounting

### Step 8

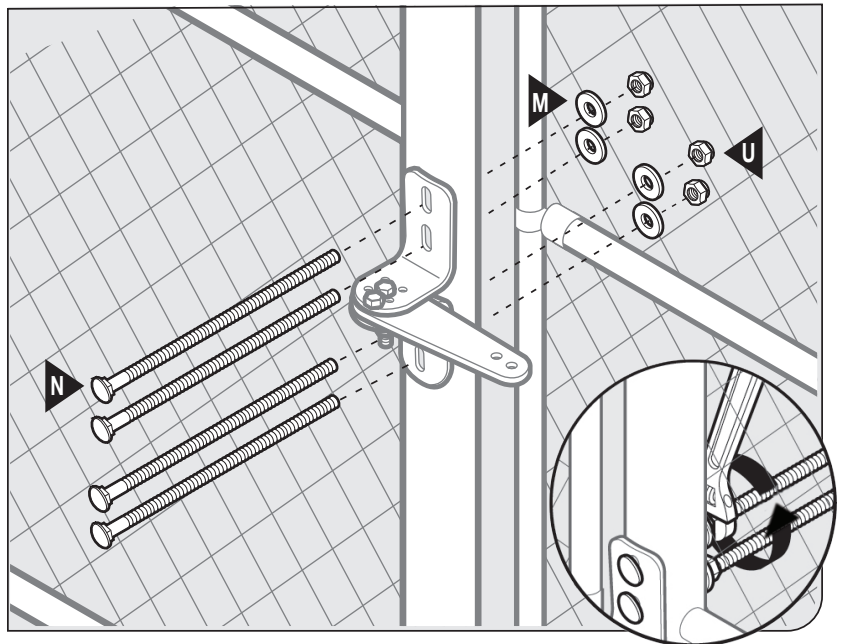
- Using a drill and 7/16" drill bit, drill the necessary holes to mount the gate post and gate brackets.

**NOTE:** Some installations may require additional reinforcement be installed on the gate. See **page 15**.



### Step 9

- Secure the gate post bracket subassembly with the supplied hardware as shown.





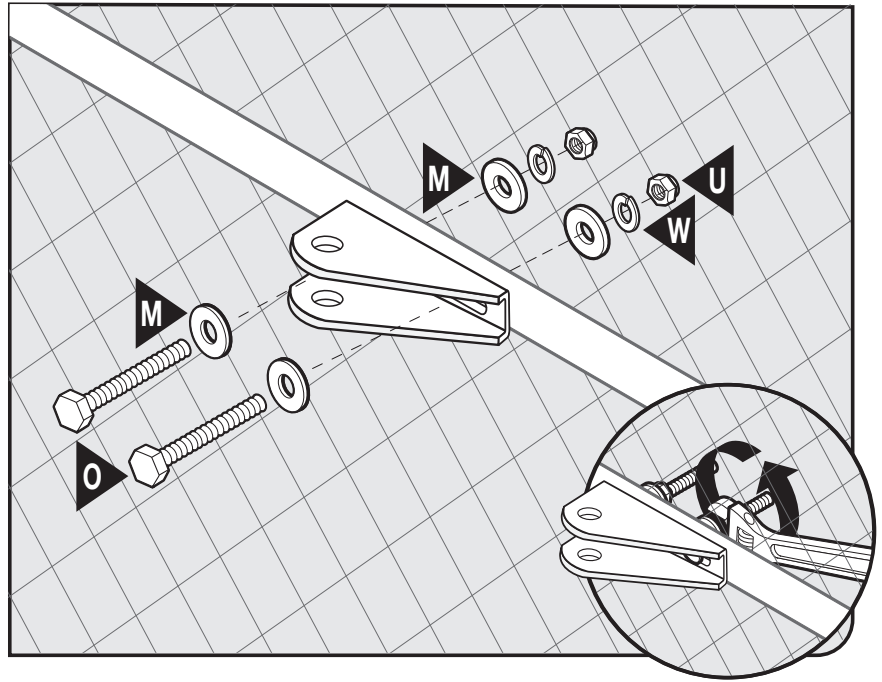


## Push-to-Open Operator Mounting

### Step 10

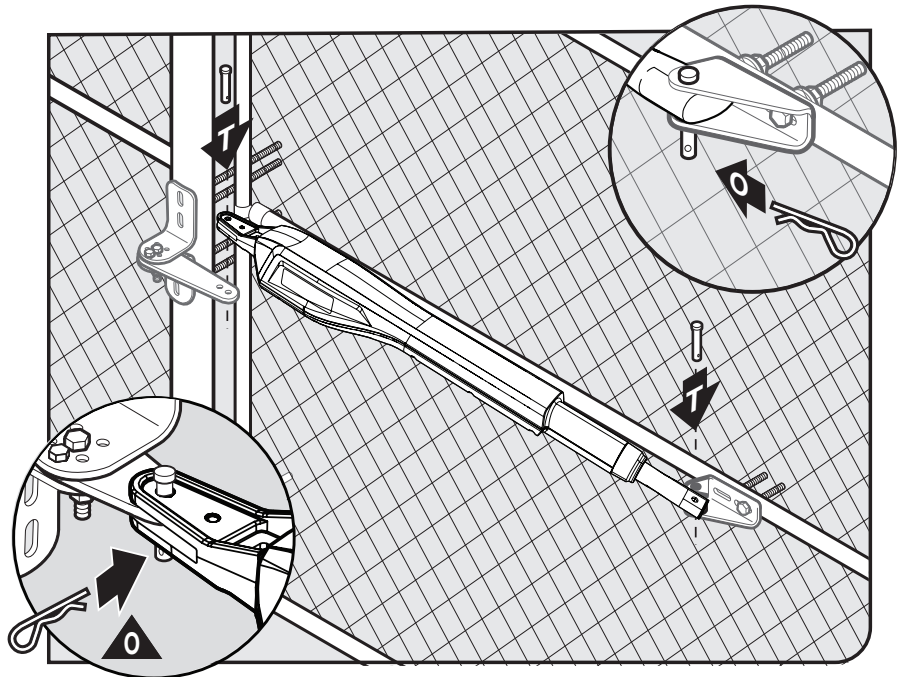
- Secure the gate bracket with the supplied hardware as shown.

**IMPORTANT:** Without adequate clearance and alignment, the gate operator will NOT function correctly. To ensure proper installation, use the included Installation Ruler to install the operator and the bracket.



### Step 11

- Once the gate post and gate brackets are installed, reattach the operator arm.
- Ensure the operator arm is level, adjusting the post bracket location if necessary.
- Once level, ensure all hardware is tight.
- Remove excess bolt length with a hacksaw.



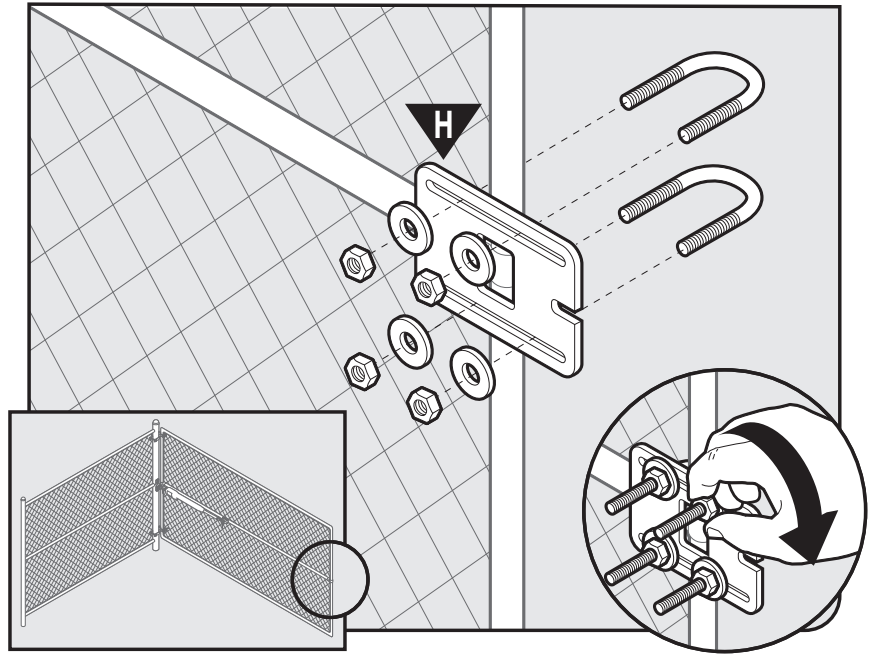


## Installing the Closed Position Stop Plate / Push-to-Open

(Single gate application)

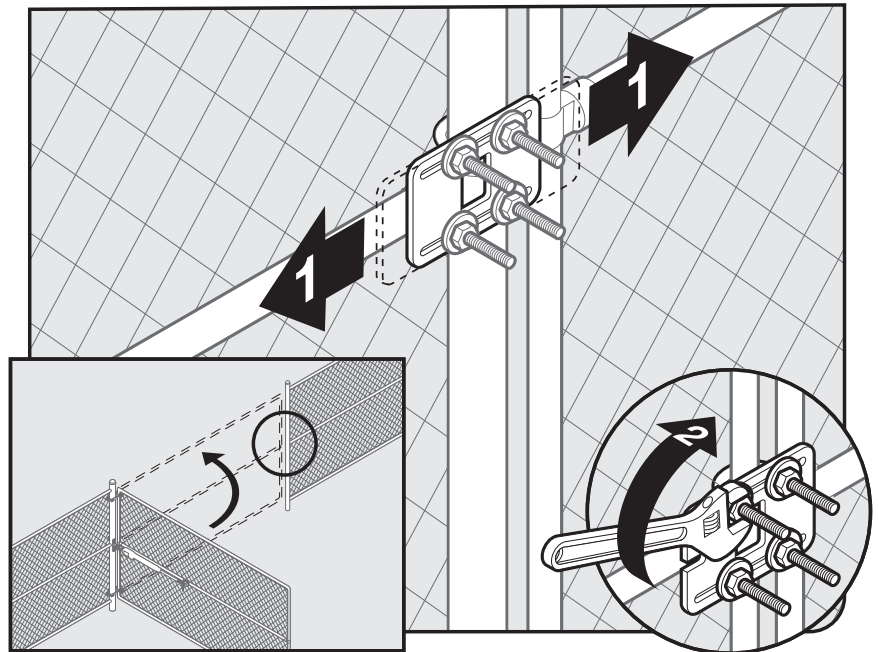
### Step 1

- Remove the operator from the gate post and gate brackets.
- Swing the gate to the open position.
- With the gate fully open, install the closed position stop plate on the gate opposite the operator (hardware not included).
- Do not fully tighten hardware until after the next step.



### Step 2

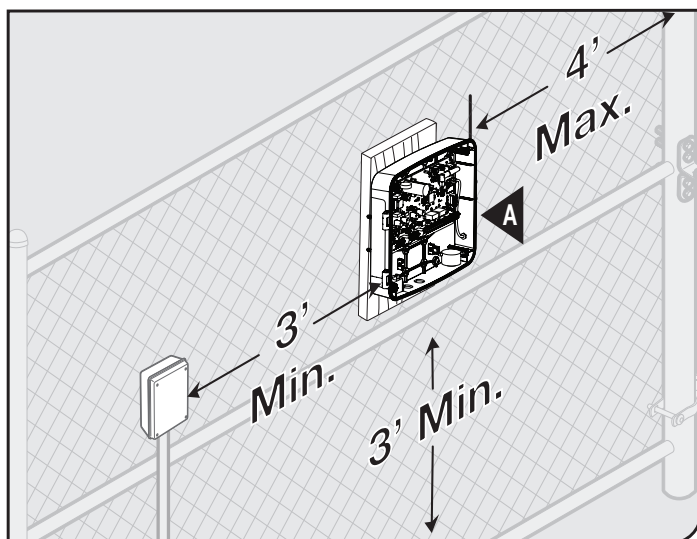
- Swing the gate to the closed position, and adjust the closed position stop plate against the fence post.
- Tighten the mounting hardware.
- With the gate in the closed position, reinstall the operator arm.



**NOTE:** For MM372W installations, the closed position stop plate should be installed on the leading edge of the PRIMARY gate leaf, and adjusted to close against the leading edge of the SECONDARY gate leaf (see [page 23](#)).

## Control Box Installation

### Step 1

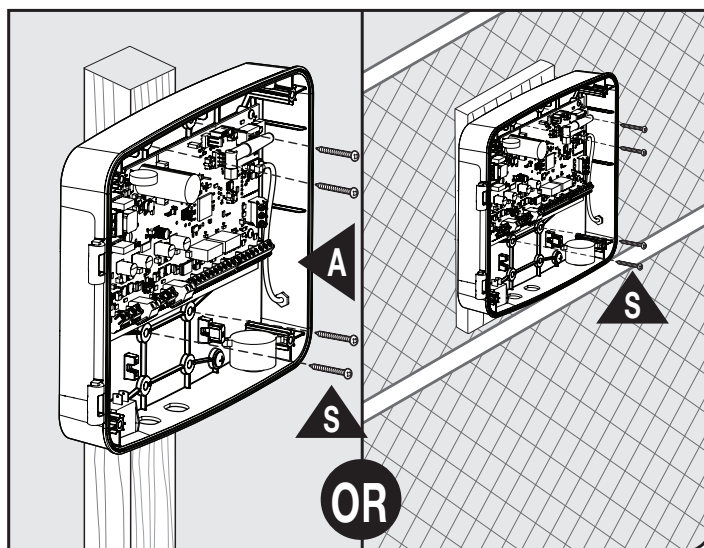


- Identify a suitable mounting location for your control box at least 3 ft. from the ground and no more than 4 ft. from the primary operator.

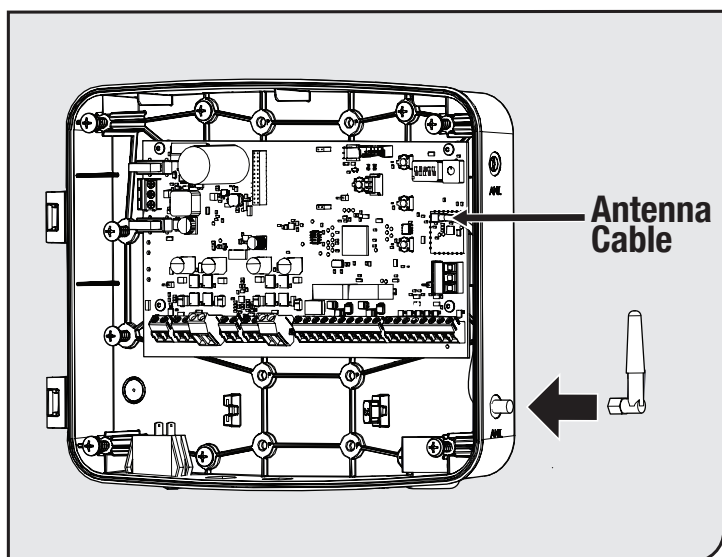
**NOTE:** Always try to mount control box as high as possible to improve radio performance. The recommended location is at least 5 ft. from the ground.

### Step 2

- Once you've identified a suitable mounting location, loosen the four cover screws and open the control box cover.
- Locate mounting locations marked 'P' inside the control box, and use them to mount the control box with the supplied wood screws.
- If the mounting surface is not wood (such as a metal post), you must use a wood panel between the box and the metal post requiring additional hardware (not supplied).



### Step 3

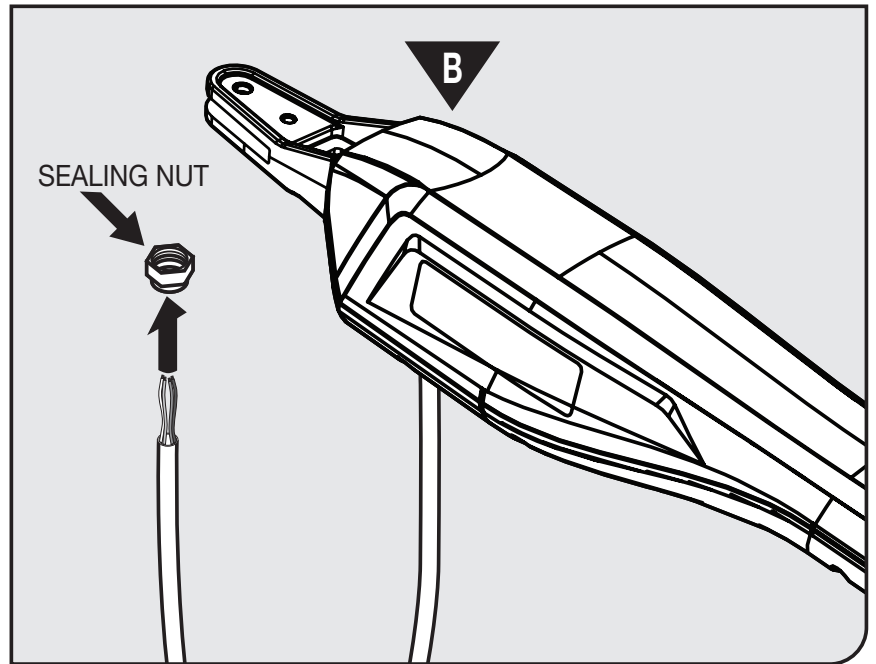


- Install the Antenna by screwing it in place on the SMA connector.
- Orient the antenna straight upward, and securely tighten.

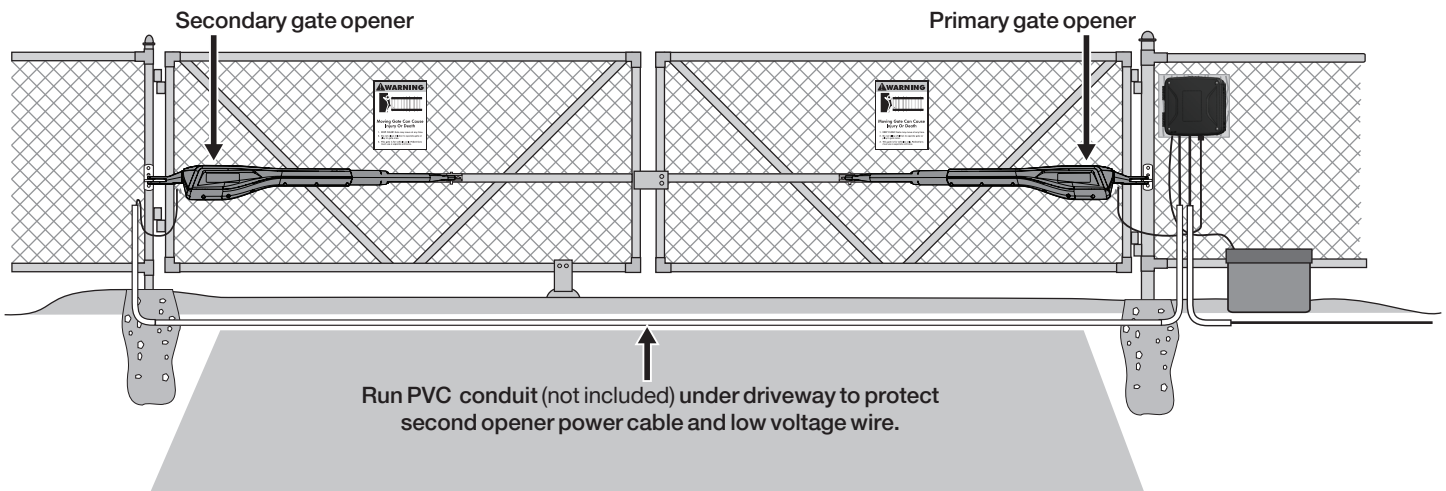
## Connecting the Operator(s) and Battery

### Step 1

- Remove the sealing nut from one of the cable glands on the bottom of the control box.
- For 372W, repeat for the SECONDARY operator.
- Feed the operator wiring harness through the sealing nut.



### Step 1B (MM372 Only)

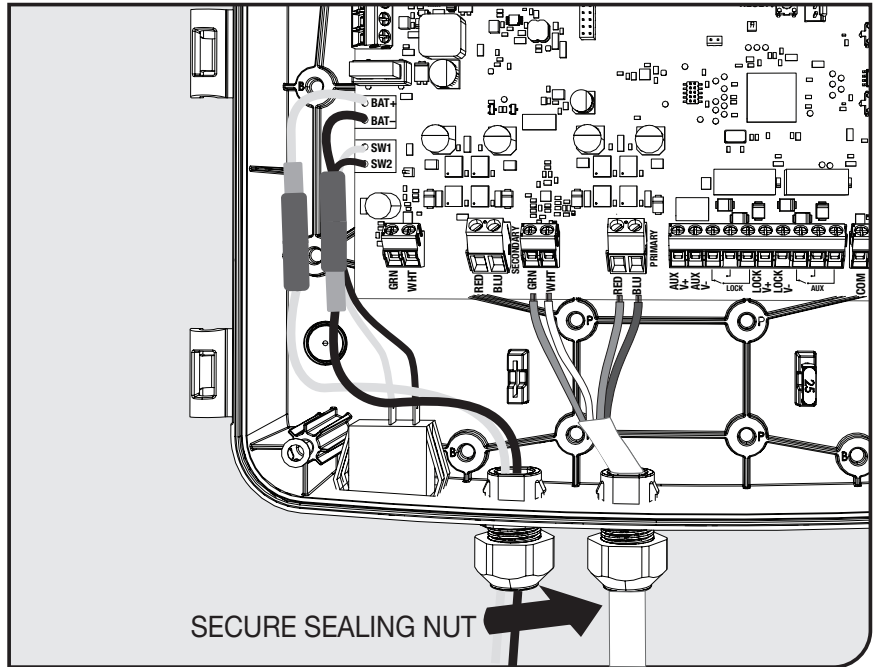


- Cut a 6" deep slot into the driveway to accommodate PVC conduit (not provided) for the power cable coming from the Second opener to the control box. The buried conduit will protect the 32 foot power cable from automobile tires, lawn mower blades, weed eaters, and grazing animals.
- Pull the secondary operator cable through the conduit.

## Connecting the Operator(s) and Battery

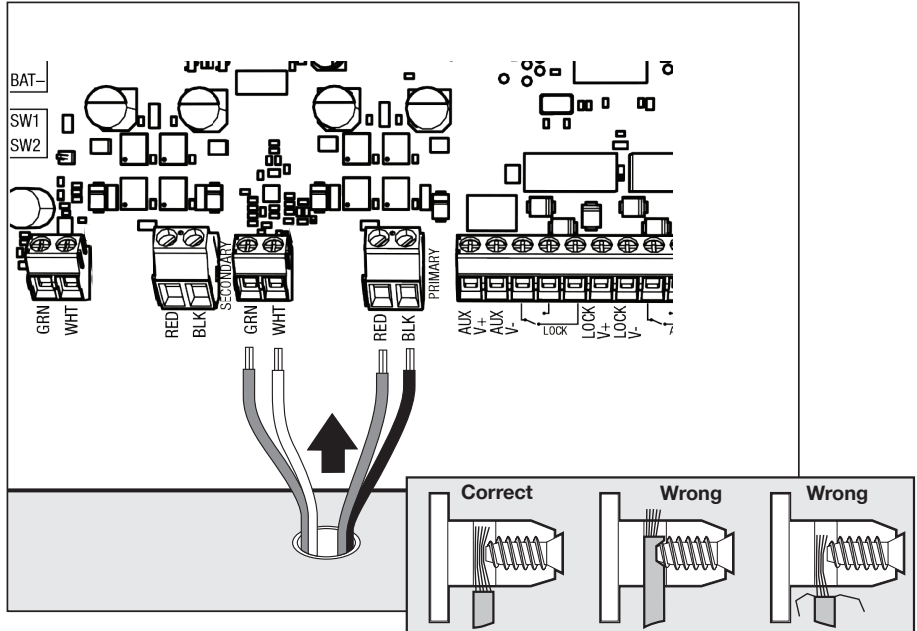
### Step 2

- Insert the wire harness through the cable gland into the control box at least 3" to allow connection to the operator wiring terminals.
- Secure the cable in place by tightening the sealing nut.
- For 372W, repeat for the SECONDARY operator.



### Step 3

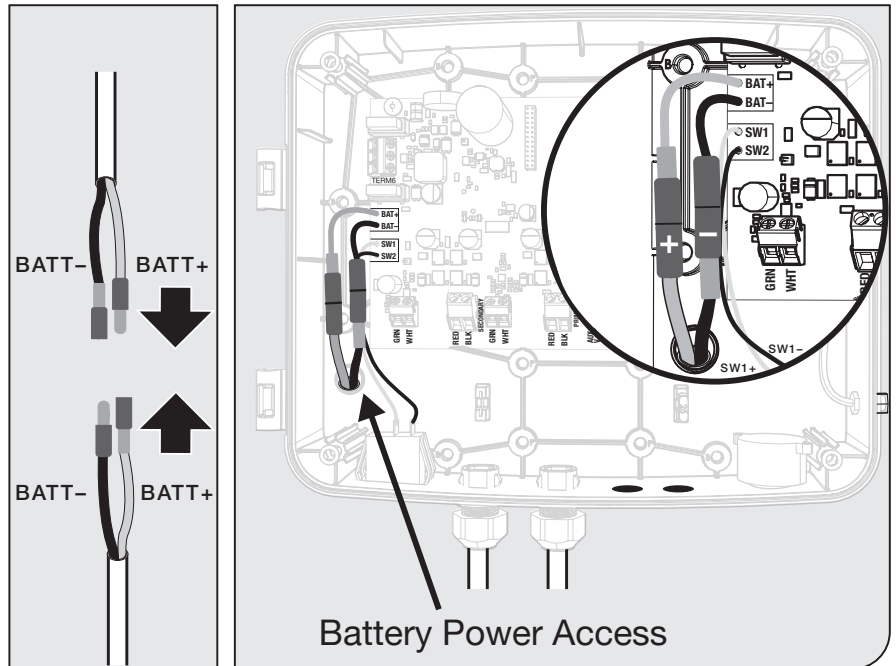
- Locate the PRIMARY operator wiring terminals, and insert the wires into the corresponding color terminals.
- For 372W, locate the SECONDARY operator wiring terminals and insert the wires from the SECONDARY operator.
- Tighten the screw terminals ensuring the wires are captured correctly as shown.



## Connecting the Operator(s) and Battery

### Step 4

- Connect the battery power wires: Red to Red (BAT+) and Black to Black (BAT-).



## Transformer or Solar Panel Wiring Installation

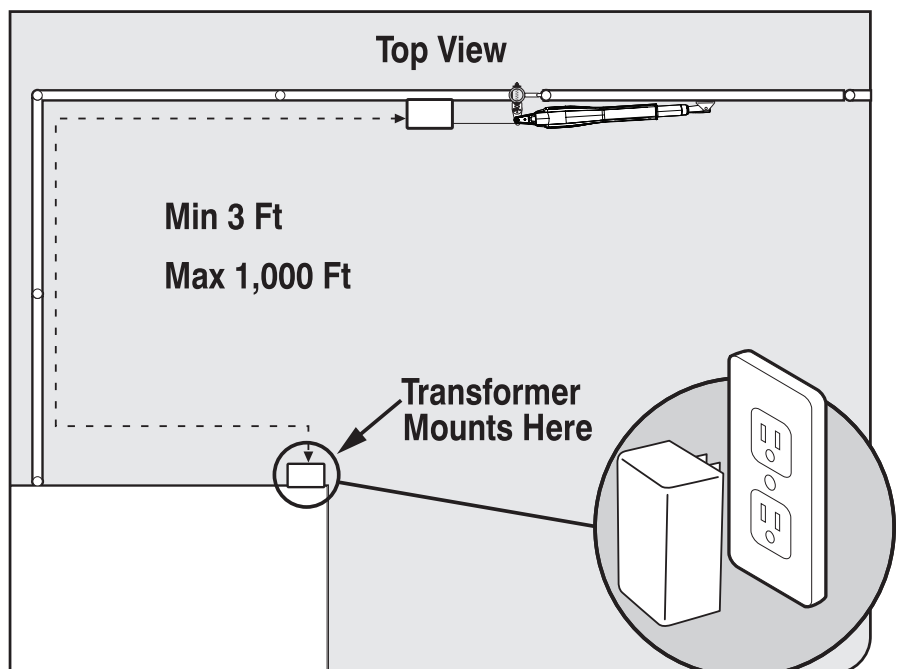
### ⚠ WARNING

Before digging contact local authorities to locate underground utilities such as electric and gas service. **DO NOT INSTALL THE TRANSFORMER AND SOLAR PANEL, BECAUSE IT VOIDS THE WARRANTY AND WILL DAMAGE CONTROL BOARD.**

### Step 1

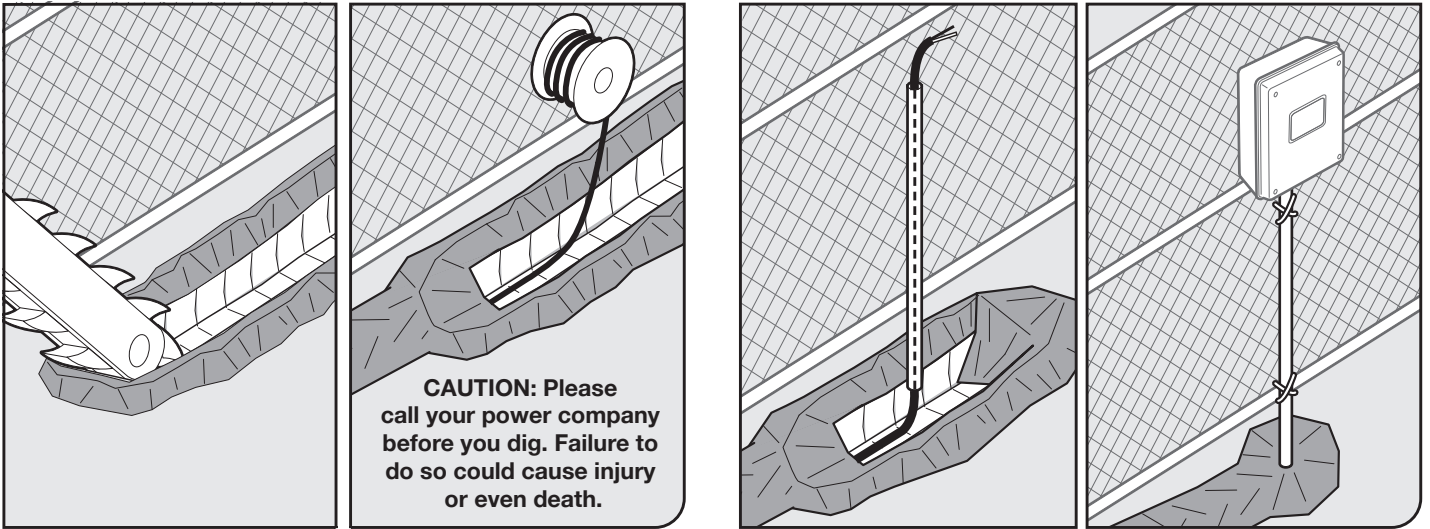
- Locate power outlet and identify wire path to control box.
- If installing a solar panel (FM123 sold separately), see solar panel instruction manual and skip to Step 3.

**NOTE:** If your outlet is outside, you must use a weatherproof cover.



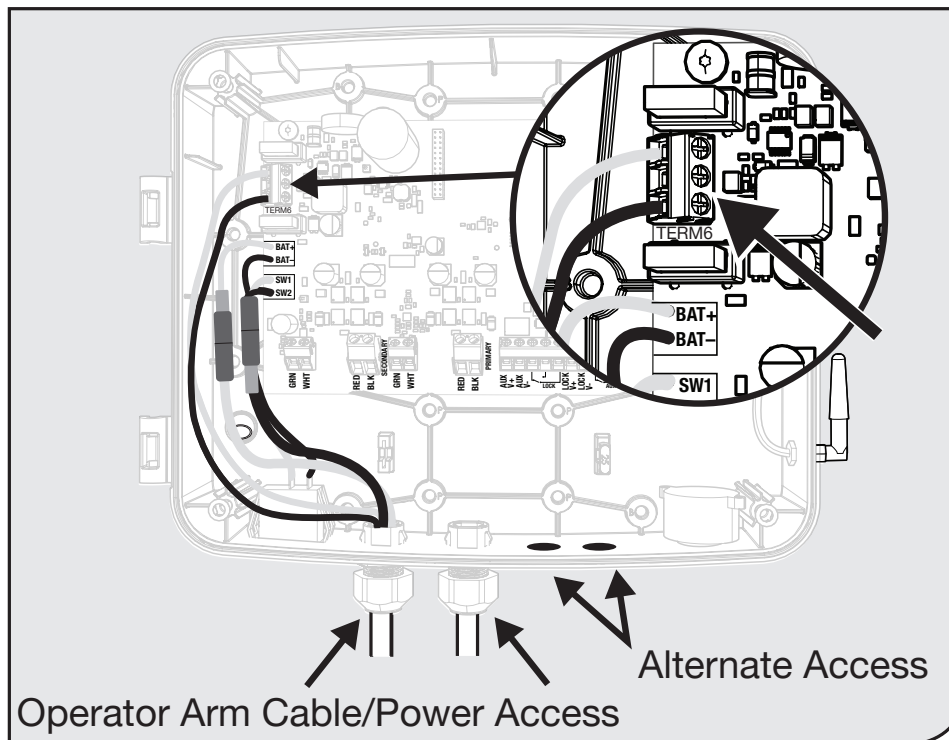
## Transformer or Solar Panel Wiring Installation

### Step 2



- Along the identified path between outlet and control box, dig a trench to lay the low voltage transformer wire (RB509 sold separately).
- Use PVC conduit from the ground up to the control box.
- PVC conduit in trench is recommended.

### Step 3



- Feed the transformer or solar panel wires into the control box using one of the access locations on the bottom of the box.
- Connect the RED wire to PWR+ and the BLACK wire to PWR- on TERM 6 as shown.

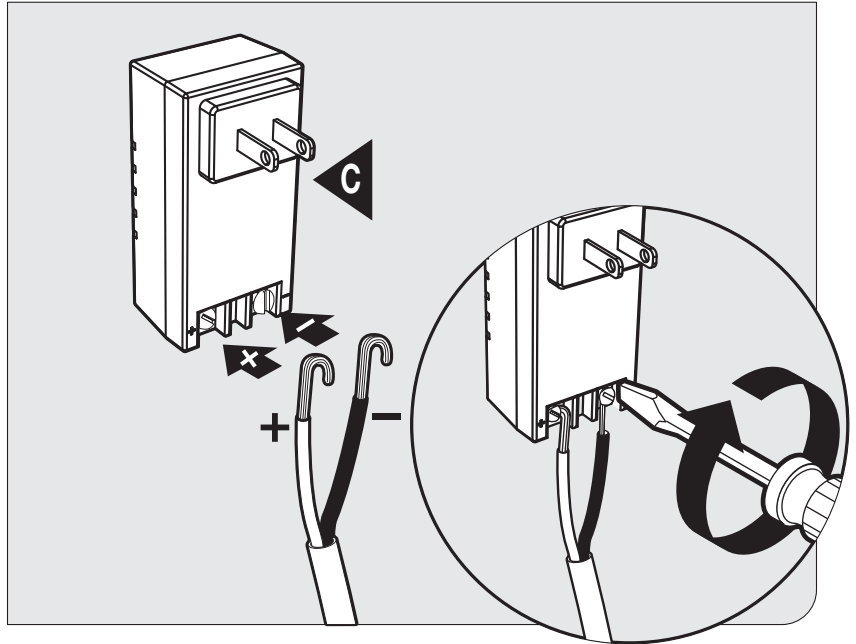
## Transformer or Solar Panel Wiring Installation

### Step 4

- From the other end of the low voltage wire, strip 1/2" from both the RED and BLACK wire.
- On the transformer, connect RED wire to the screw terminal marked + and BLACK wire to the screw terminal marked -.
- Plug the transformer into the selected electrical outlet.

**NOTE:** Use of a surge protector is strongly recommended.

**MM372 Installation** - For dual arm installation, drill through one of the **Alternate Access** slots to install the Transformer or Solar power wires.



## Electrical Installation and Setup

### Dip Switches Settings

#### 1. Push/Pull-to-Open

- On  = Push
- Off  = Pull

For changes to this switch to take effect, the unit must be reset or power cycled.

#### 2. Stagger

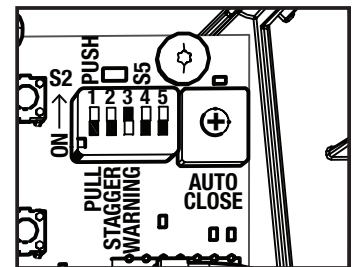
- For dual gate installations (MM372W),
- OFF - Gates will open simultaneous, but close staggered.
- ON - Gates will stagger while opening and closing for compatibility with gate locks.

#### 3. Warning

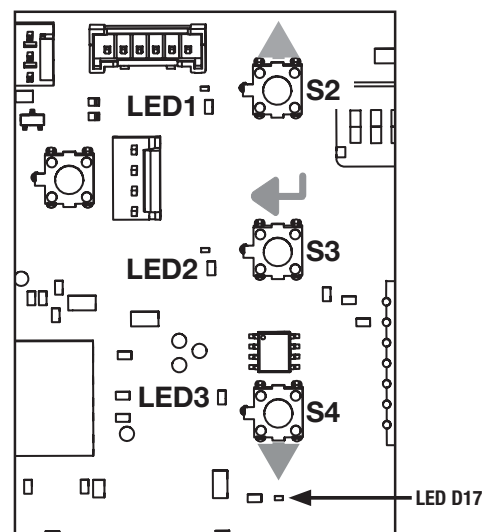
- The WARNING DIP switch toggles a movement alarm ON or OFF.

### Powering the System

- Locate the ON/OFF switch on the bottom left of the control box.
- Toggle the switch to the ON position.
- The system will take approximately 20 seconds to power up indicated by an audible tone and LED D17 will flash.

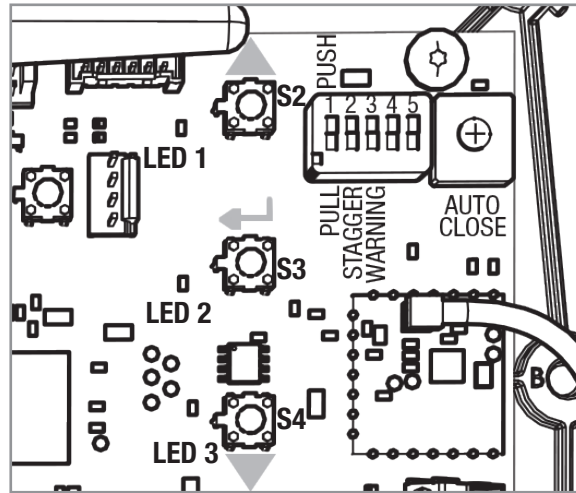


**NOTE:** Switches 4 and 5 are not used





### 371 Closed Limit Programming For Pull-to-Open Applications (contract to open)



#### Button Configuration

- S2 = ▲ (Extend/Close)
- S3 = ←
- S4 = ▼ (Retract/Open)

**NOTE:** You must set gate operator limits for your installation configuration BEFORE programming a transmitter. Otherwise, the operator will seem non-operational.

#### Step 1: Enter the primary arm limit programming mode.

With the power on for your control box, press and hold both the **S2** and the **S3** buttons at the same time until **LED 1** turns on and the buzzer sounds, and then release them.

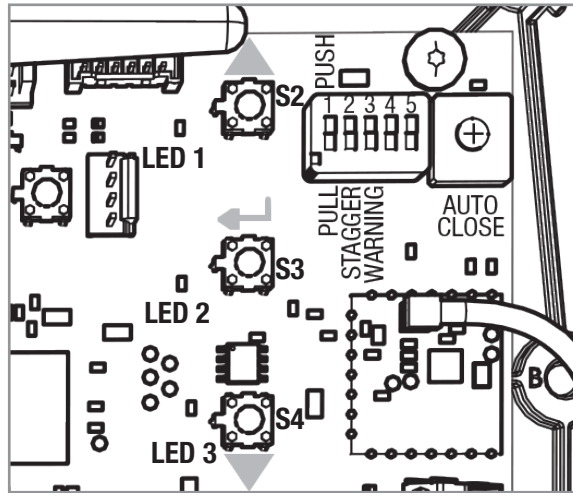
#### Step 2: Program the primary arm closed limit.

1. Next, press and hold **S2** and you will hear a long beep and the arm will begin to extend, closing the gate. Continue holding the **S2** button down until the gate reaches the desired closed position, and then release.
2. If you overshoot the desired closed position, you can use **S4** to reverse the gate.
3. Adjust as needed until you are totally satisfied with the closed position. Then, press and hold **S3** until the buzzer sounds, and then release.
4. After CLOSED limit is set, operate the gate through four complete open and close cycles. This will automatically measure and configure the gate's force set up.

**NOTE:** If you hear three short beeps in succession, that means that the programming mode has timed out and you will need to enter the programming mode again. You do not have to start the positioning all over. If the closed position is already correct but you have timed out, press and hold **S2** and **S3** until the buzzer sounds, then release. Then, immediately press and hold **S3** until the buzzer sounds and then release.

### 372 Closed Limit Programming For Pull-to-Open Applications (contract to open)

**NOTE:** You must set gate operator limits for your installation configuration BEFORE programming a transmitter. Otherwise, the operator will seem non-operational.



#### Step 1: Enter the secondary arm limit programming mode.

With the power on for your control box, press and hold both the **S3** and the **S4** buttons at the same time until **LED 3** turns on and the buzzer sounds, and then release both buttons.

#### Step 2: Program the secondary arm closed limit.

1. Next, press and hold **S2** and you will hear a long beep and the arm will begin to extend, closing the gate. Continue holding the **S2** button down until the gate reaches the desired closed position, and then release.
2. If you overshoot the desired closed position, you can use **S4** to reverse the gate.
3. Adjust as needed until you are totally satisfied with the closed position. Then, press and hold **S3** until the buzzer sounds, and then release.

**NOTE:** If you hear three short beeps in succession, that means that the programming mode has timed out and you will need to enter the programming mode again. **You do not have to start the positioning all over.** If the closed position is already correct but you have timed out, press and hold **S3** and **S4** until the buzzer sounds, then release. Then, immediately press and hold **S4** until the buzzer sounds and then release.

#### Step 3: Enter the primary arm limit programming mode.

With the power on for your control box, press and hold both the **S2** and the **S3** buttons at the same time until **LED 1** turns on and the buzzer sounds, and then release them.

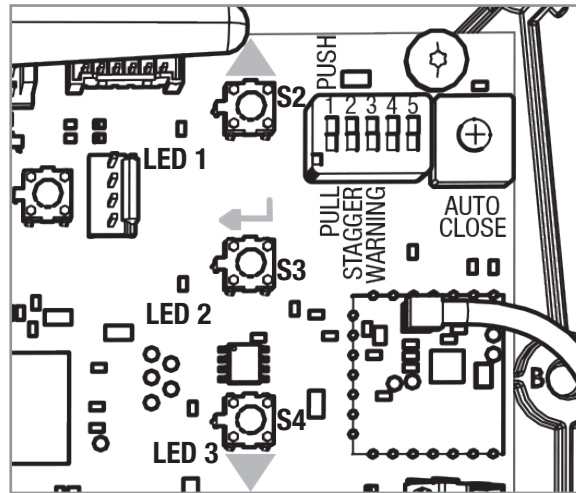
#### Step 4: Program the primary arm closed limit.

4. Next, press and hold **S3** and you will hear a long beep and the arm will begin to extend, closing the gate. Continue holding the **S3** button down until the gate reaches the desired closed position, and then release.
5. If you overshoot the desired closed position, you can use **S4** to reverse the gate.
6. Adjust as needed until you are totally satisfied with the closed position. Then, press and hold **S3** until the buzzer sounds, and then release.
7. After CLOSED limits are set, operate the gate through four complete open and close cycles. This will automatically measure and configure the gate's force set up

**NOTE:** If you hear three short beeps in succession, that means that the programming mode has timed out and you will need to enter the programming mode again. **You do not have to start the positioning all over.** If the closed position is already correct but you have timed out, press and hold **S2** and **S3** until the buzzer sounds, then release. Then, immediately press and hold **S3** until the buzzer sounds and then release.

## Open Limit Programming - Push to Open

### 371 Open Limit Programming For Push-to-Open Applications (extend to open)



#### Button Configuration

- S2 = ▲ (Extend/Close)
- S3 = ←
- S4 = ▼ (Retract/Open)

**NOTE:** You must set gate operator limits for your installation configuration BEFORE programming a transmitter. Otherwise, the operator will seem non-operational.

#### Step 1: Enter the primary arm limit programming mode.

With the power on for your control box, press and hold both the **S2** and the **S3** buttons at the same time until **LED 1** turns on and the buzzer sounds, and then release them.

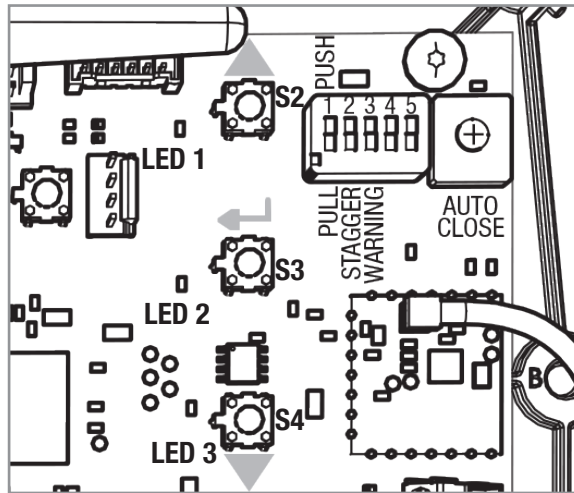
#### Step 2: Program the primary arm closed limit.

1. Next, press and hold **S2** and you will hear a long beep and the arm will begin to extend, opening the gate. Continue holding the **S2** button down until the gate reaches the desired open position, and then release.
2. If you overshoot the desired open position, you can use **S4** to reverse the gate.
3. Adjust as needed until you are totally satisfied with the open position. Then, press and hold **S3** until the buzzer sounds, and then release.
4. After OPEN limit is set, operate the gate through four complete open and close cycles. This will automatically measure and configure the gate's force set up.

**NOTE:** If you hear three short beeps in succession, that means that the programming mode has timed out and you will need to enter the programming mode again. You do not have to start the positioning all over. If the open position is already correct but you have timed out, press and hold **S2** and **S3** until the buzzer sounds, then release. Then, immediately press and hold **S3** until the buzzer sounds and then release.

### 372 Open Limit Programming For Push-to-Open Applications (extend to open)

**NOTE:** You must set gate operator limits for your installation configuration BEFORE programming a transmitter. Otherwise, the operator will seem non-operational.



#### Step 1: Enter the primary arm limit programming mode.

With the power on for your control box, press and hold both the **S2** and the **S3** buttons at the same time until **LED 1** turns on and the buzzer sounds, and then release them.

#### Step 2: Program the primary arm open limit.

1. Next, press and hold **S2** and you will hear a long beep and the arm will begin to extend, opening the gate. Continue holding the **S2** button down until the gate reaches the desired open position, and then release.
2. If you overshoot the desired open position, you can use **S2** to reverse the gate.
3. Adjust as needed until you are totally satisfied with the open position. Then, press and hold **S3** until the buzzer sounds, and then release.

**NOTE:** If you hear three short beeps in succession, that means that the programming mode has timed out and you will need to enter the programming mode again. You do not have to start the positioning all over. If the open position is already correct but you have timed out, press and hold **S2** and **S3** until the buzzer sounds, then release. Then, immediately press and hold **S3** until the buzzer sounds and then release.

#### Step 3: Enter the secondary arm limit programming mode.

With the power on for your control box, press and hold both the **S3** and the **S4** push buttons at the same time until **LED 3** turns on and the buzzer sounds, and then release them.

#### Step 4: Program the secondary arm open limit.

4. Next, press and hold **S2** and you should hear a long beep and the arm will begin to extend, opening the gate. Keep holding the **S2** button down until the gate reaches the desired open position, and then release.
5. If you overshoot the desired open position, you can use **S4** to retract the arm in.
6. Adjust as needed until you are totally satisfied with the open position. Then, press and hold **S3** until you the buzzer sounds, and then release.
7. After OPEN limits are set, operate the gate through four complete open and close cycles. This will automatically measure and configure the gate's force set up.

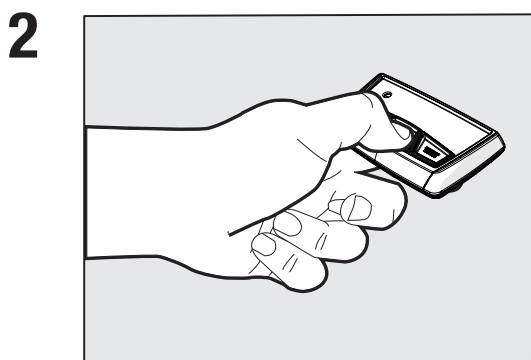
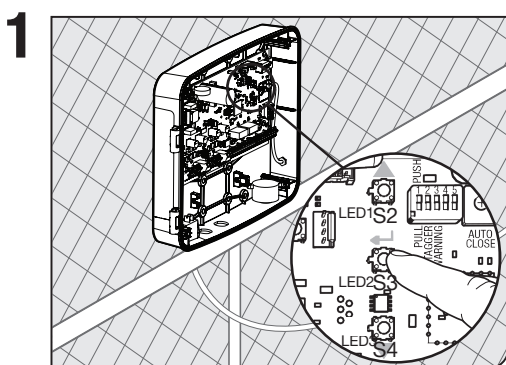
**NOTE:** If you hear three short beeps in succession, that means that the programming mode has timed out and you will need to enter the programming mode again. You do not have to start the positioning all over. If the open position is already correct but you have timed out, press and hold **S3** and **S4** until the buzzer sounds, then release. Then, immediately press and hold **S3** until the buzzer sounds and then release.

## Transmitter Programming

### How to Learn a Transmitter:

1. On the control board, press and hold the **S3** button until LED2 beside the **S3** button turns on and the buzzer sounds. Release the **S3** button.
2. Press and hold the desired transmitter button. Once learned, LED2 will flash and the buzzer will sound indicating that the transmitter has been learned.

**NOTE:** You must set gate operator limits for your installation configuration BEFORE programming a transmitter. Otherwise, the operator will seem non-operational.



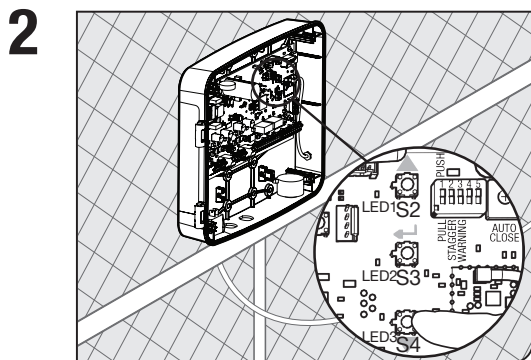
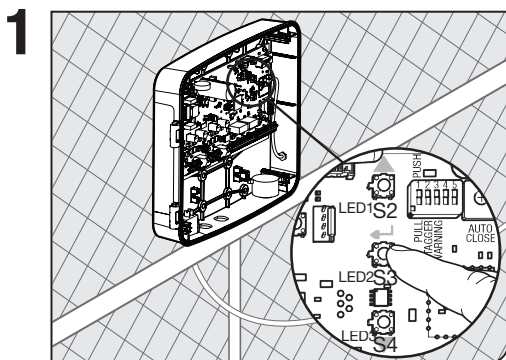
### How to Erase a Transmitter or Keypad (MMK200) code:

Repeat steps 1-2 above to erase the learned transmitter or keypad code.

### How to Erase ALL Learned Transmitters or Keypad codes:

1. Enter the 'Learn Transmitter' mode following step 1 above.
2. Press and hold the **S4** button until LED1, 2 & 3 flash and the buzzer sounds. (Approximately 10 seconds.)

**NOTE:** The control board can store a total of 50 transmitter and/or keypad codes. The system is compatible with Mighty Mule DIP switch transmitters and keypads.



**WARNING:** Changes, modifications or adjustments not expressly approved by Nice North America LLC could void the user's warranty.



Once you have your Mighty Mule transmitter programmed, consult your vehicle's HomeLink instructions section for HomeLink programming.

## Dual Sense Stall Force Setting

Do not use the Dual Sense Stall Force adjustment to compensate for a gate that is sticking or binding. Excessive Stall force may cause damage to the gate operator or gate system.

The Stall Force adjustment controls the amount of force the opener will apply against an obstruction before it stops and reverses direction. The controller includes three Stall Force settings, and is preset from the factory to Low. If your operator stops and reverses during a normal cycle, follow the instructions below to change the Stall Force setting.

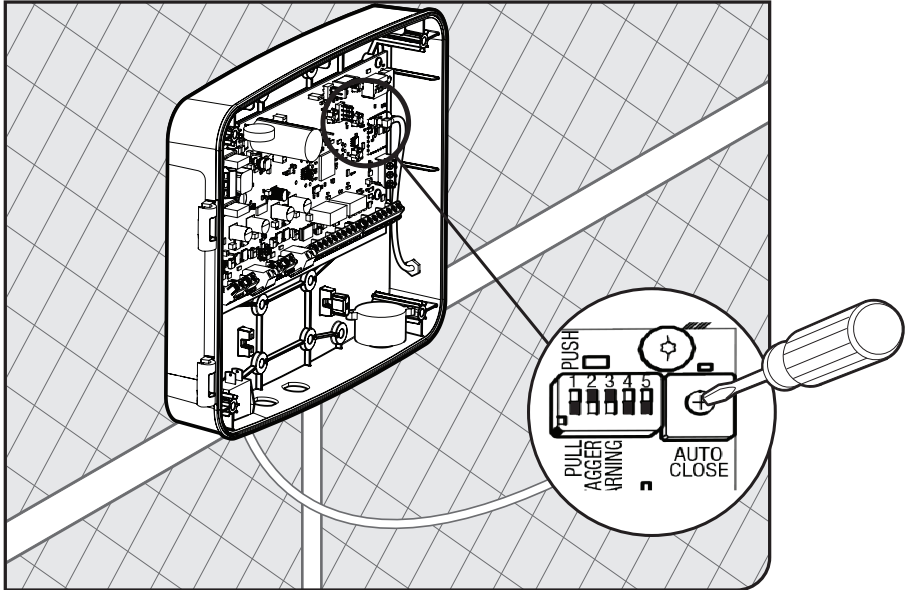
### Adjusting the Stall Force:

1. Press and hold the **S2** and **S4** buttons until the buzzer sounds (approximately 2 seconds). Release.
2. Use the **S2** and **S4** to adjust the Stall Force setting. LED1, 2, & 3 are used to indicate the setting. LED3 ON indicates LOW, LED3 & 2 ON indicates MEDIUM, and LED1, 2 & 3 ON indicates HIGH.
3. Press and hold the **S3** button until the buzzer sounds, then release to set the Stall Force setting.

## Auto Close Setting

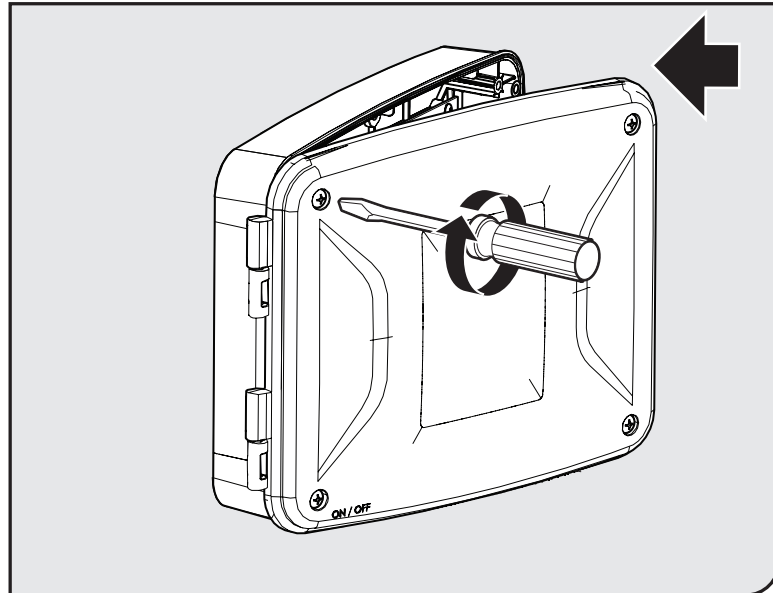
### Step 1

- The auto close timer is set to OFF from the factory.
- To set an auto close timer, use a small flat head screw driver to turn the auto close potentiometer clockwise.
- The timer can be set from approximately 3 seconds to a maximum of 120 seconds.



### Step 2

- If you have additional accessories or external devices to install, see the following page.
- Unless you have additional external accessories to install, your gate operator installation is now complete.
- Please review the installation checklist at the end of this manual.
- Use a phillips head screwdriver to close the control box.



## Optional Smart Control Setup

This product has the ability of being control via a smart device (i.e. smartphone) with the addition of the MMS100 smart kit. Refer to the instructions contained in the MMS100 kit or visit [www.mightymule.com](http://www.mightymule.com) for more information

## Connecting Additional Devices

Mighty Mule strongly recommends the use of additional obstruction detection devices however we do not endorse any specific brand names. Only use products that are listed to be in compliance with any applicable UL safety standards and national and regional codes.

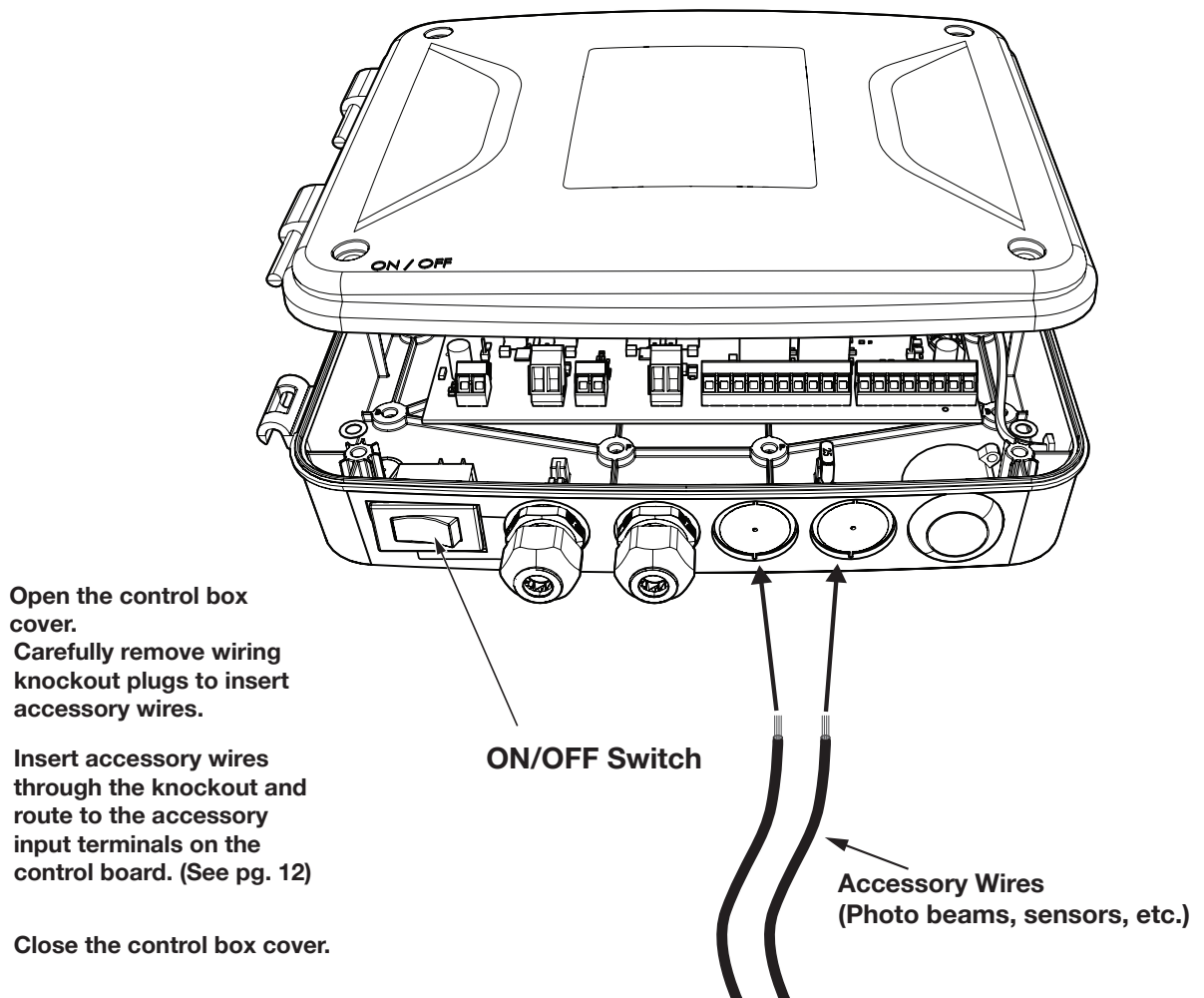
**PLEASE NOTE: Contact sensors, non-contact sensors, shadow loops, etc. are not included with this product. Refer to the sensor manufacturer's instructions for information about installing accessory devices.**

The Mighty Mule **ONLY** accepts accessory devices with normally open dry contact outputs.

### **⚠ WARNING**

Make sure the operator power switch is turned OFF before connecting ANY device wiring to the terminals of the controller. Unplugging the transformer does not turn power to the operator off.

### Wiring Accessories through Control Board Wiring Knockout

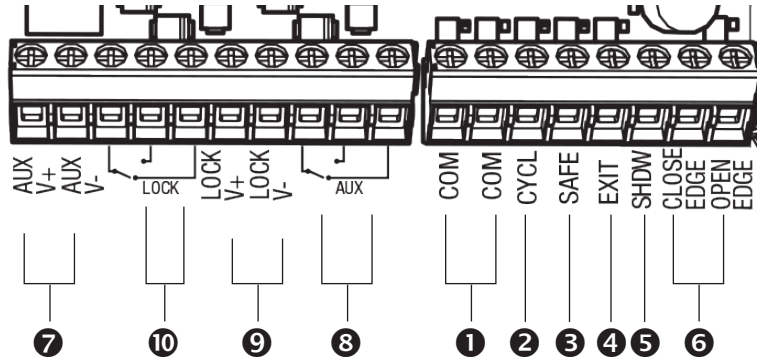




# Control Board Connections

## NOTES:

- All ACCESSORY INPUTS (ITEMS 2-6) are dry contact, normally open inputs. DO NOT apply external voltage inputs to these terminals.
- All ACCESSORY INPUTS (ITEMS 2-6) are connected with respect to the COMMON terminals (ITEM 1).



ACCESSORY INPUTS

- 1 COM:** Common/Negative terminal for accessory devices and negative wire from solar panel(s).
- 2 CYCL:** (Typically for use with doorbell button or hard wired keypad)
  - Each activation at this input will cycle the operation as follows:  
... → OPEN → STOP → CLOSE → STOP → OPEN → ...
- 3 SAFE:** (Typically for use with photo beam device, loop detector or other non-contact sensors)
  - Activation of this input while the gate is closing, or at a position other than fully open or fully closed will cause the gate to stop and return to the opened position.
  - Activation of this input while the gate is opening has no effect. (gate will continue to open)
  - Activation of this input while the gate is open will prevent gate from closing.
  - Activation of this input while at open limit will restart the auto close time (if enabled).
- 4 EXIT:** (Typically for use with exit loop or wand)
  - Activation of this input will open the gate if it's not already at the open position.
  - Activation of this input while at open limit will restart the auto close time (if enabled).
- 5 SHDW:** (Typically for use with loop detector device)
  - This input is only monitored when the gate is at the fully open at the open position. At any other position, activation of this input has no effect on gate operation.
  - Activation of this input while gate at the fully open position will prevent gate from closing.
- 6 EDGE:** (Typically for use with contact edge sensor)
  - Activation of this input while gate is moving will cause it to reverse direction for 2 seconds.
  - Activation of this input while idle will prevent gate from running.
- 7 AUX V+ & AUX V-:** These terminals provide constant auxiliary accessory power from the operator's battery, rated for 2 amps MAX. The output is designed to be used in conjunction with the AUX relay, ITEM 8.

**NOTE:** Using this power output will drain your operator battery. Continuous use greater than 20mA is NOT recommended for solar applications.

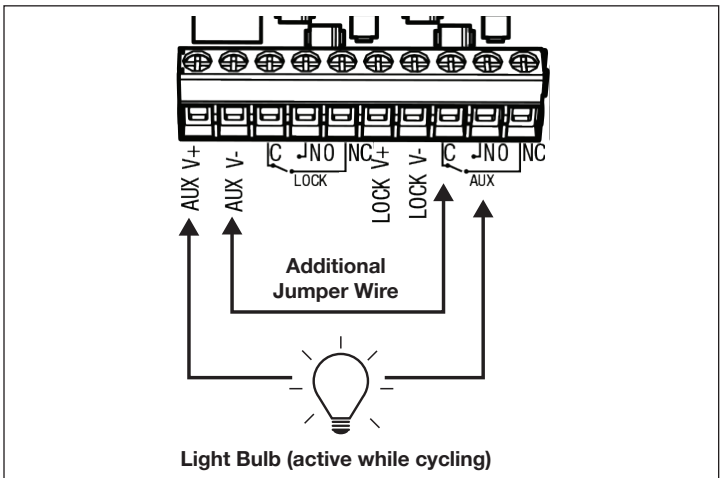
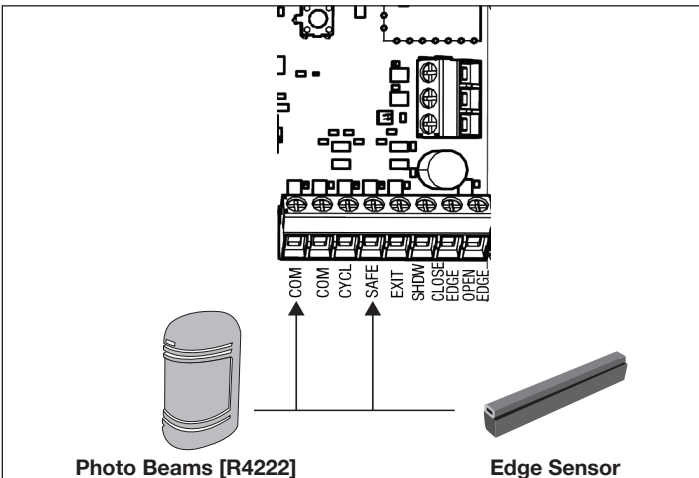
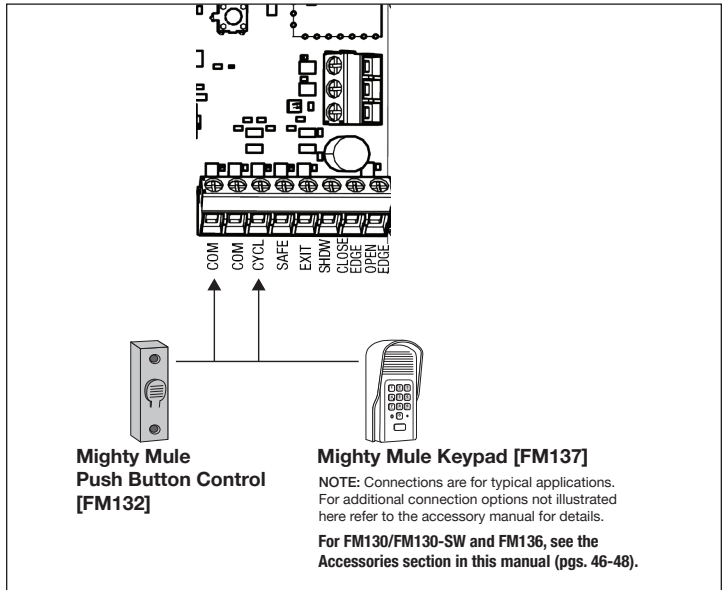
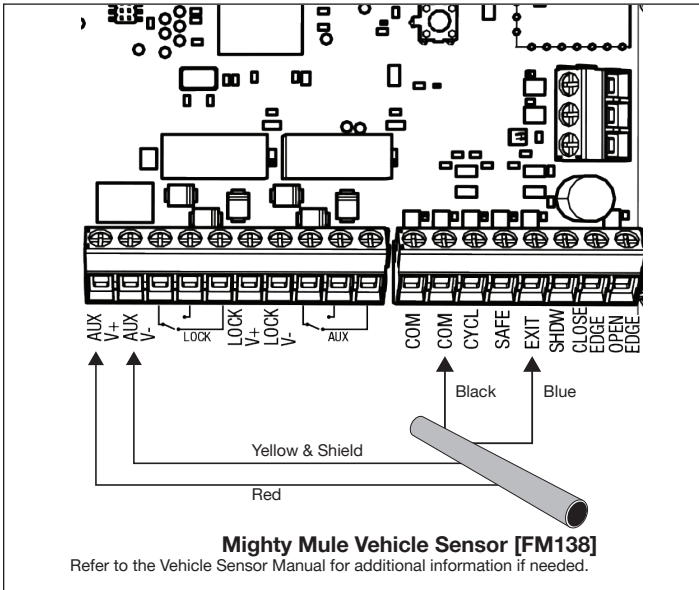
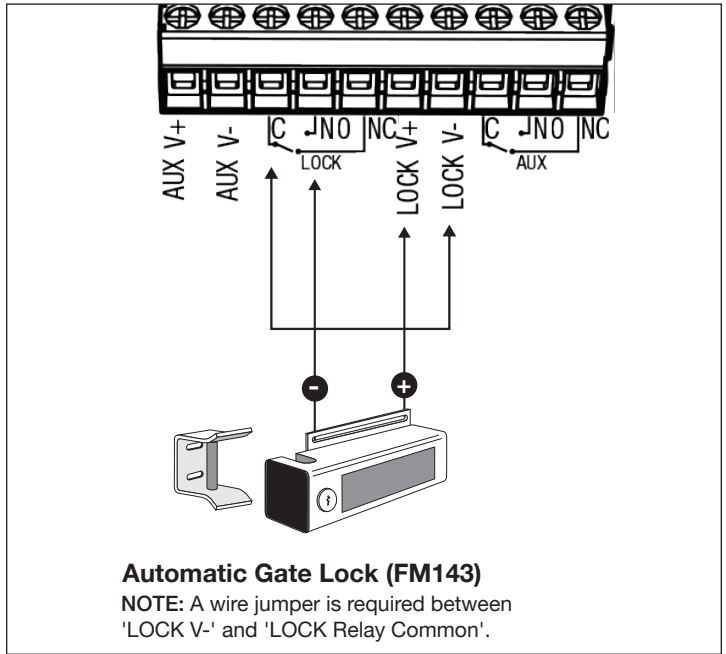
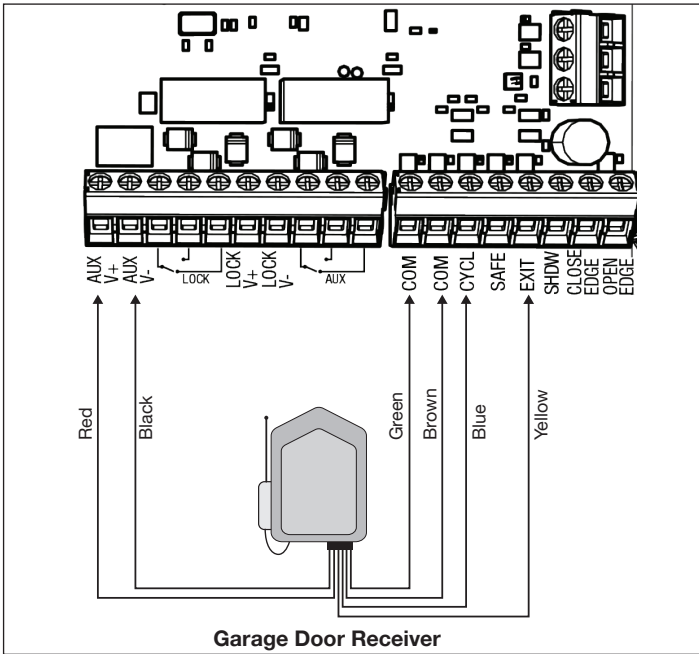
LOCK OUTPUTS

- 8 AUX C NO NC:** The AUX Relay is triggered during gate operation and remains activated for the duration of the gate operation. The AUX Relay should only be used for switching AUX V-.
- 9 LOCK V+ & LOCK V-:** These terminals are designed for use with the Automatic Gate Lock (FM143). See the next page of this manual for connection diagram.
- 10 LOCK C NO NC:** The LOCK Relay is designed for use with the Automatic Gate Lock (FM143). This relay is momentarily triggered at the beginning of each gate operation. See page 25 of this manual for connection diagram. The LOCK Relay should only be used for switching LOCK V-.

**NOTE:** DO NOT connect positive voltage to the AUX or LOCK Relays.

# Connecting Accessories

For accessory part numbers, see Accessories, pages 47-49.



# Accessories

## Accessories are Available from your Retail Store

### Solar Panel (FM123)

The **Solar Panel** is a 10 watt solar powered battery charger for use with the **Mighty Mule 271W / 272W / 371W / 372W / 571W / 572W** gate operator systems. Particularly suited for remote installations, each **Solar Panel** comes with tubular steel support, mounting clips, wire connectors, and 10 ft. of low voltage wire [see Low Voltage Wire for additional wire (250' maximum)]. The **Mighty Mule** control board has clearly labeled terminal connections for easy installation of the **Solar Panel**. Installation in some regions of the world will require multiple solar panels for adequate charging power (30 watt max).



### MMT103

The MMT103 Code Safe digital transmitter is a wireless radio control designed for use with Mighty Mule garage door openers and can also be programmed to your Mighty Mule gate openers. One remote for two or three devices.



### Pin Lock (FM133)

The **Pin Lock** substitutes for the clevis pin at the front end of the Mighty Mule gate operators. Helps prevent theft of the operator from the gate, while allowing quick release of the operator.



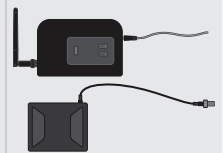
### Wireless Driveway Vehicle Sensor (FM130)

Automatically activates gate operator "Hands-Free" when a vehicle exits the property. 100 ft. range between transmitter and receiver. Easy installation.



### Wireless Connectivity System (MMS100)

Adds smart functionality to your gate operator utilizing the Nice G.O. app.



### Wireless Keypad (MMK200)

The Mighty Mule Wireless Keypad is designed to control access to all Mighty Mule Garage Door Openers. This keypad features a LED back light that allows you to see numeric keys throughout dark or unfavorable weather conditions.



### Mounting Post (FM100) - In Ground

This black powder coated pedestal is designed to provide convenient access to your keypad, wireless intercom, or other access control device from your vehicle. With its break down design it is easy to install and works well in most standard applications. Surface Mount Flanges (F102) and Extensions (F103) for added height are available.



### Mighty Mule Vehicle Sensor (FM138)

The Gate Opening Sensor is designed for residential and agricultural applications and is compatible with most Mighty Mule automatic gate operator models. The Sensor is an electromagnetic sensor, which offers 'hands free' operation of the Mighty Mule Gate Operator with a 12 ft. radius of detection of vehicles in motion.



### Automatic Gate Lock Pull-to-Open (FM143)

A MUST for added security. Solenoid driven, with a steel housing. Used with **Mighty Mule** DC swing gate operating systems for maximum stability and security. Comes with a keyed manual release.



### Replacement Transformer (RP1010)

19V, 2A, DC transformer for maintaining the battery with the **Mighty Mule** gate operator.



### Push Button Control (RB101)

Unlit doorbell button for remote entry or exit control. Wires directly to the control board and uses 16-22 gauge stranded, dual conductor low voltage wire (sold separately).



### Low Voltage Wire (RB509-100 = 100' / RB509-250 = 250')

The 16 gauge, stranded, dual conductor **Low Voltage Wire** is for connecting the AC powered transformer, or the **Solar Panel** to the control board. Also used for the connection of accessories, such as locks, keypads, push buttons and other wired control devices. This specially designed wire is UV treated, PVC coated and ready for direct burial. Available in 1000' rolls or special lengths.



### Wireless Entry Intercom / Keypad (MM136)

Allows owner to screen guest at the gate before allowing access to the property. Keypad also allows owner to give up to 25 programmable entry codes to family, friends or approved delivery personnel. Codes can be permanent or temporary. Up to 500 feet reception.

Additional base stations available, up to four total. (MM136B)



### Garage Door Receiver (RB709U-NB)

The Garage Door Receiver allows you to use the same **Mighty Mule** entry transmitter to operate your gate operator and your garage door operator. Compatible with most garage door operators (not compatible with the MMK200).



### Driveway Alarm (FM231)

This device alerts you of vehicles entering your driveway (with or without an automated gate). The indoor base station signals you with a door chime when a vehicle passes the driveway sensor.



### Key Chain 2-Button Transmitter (FM134)

The Key Chain Transmitter is a dual button version of the **Mighty Mule** single button entry transmitter and has the same adjustable code settings. Used for 2 gates or 1 gate and garage door (when used with in conjunction with a garage door receiver – RB709U-NB). (Battery is included).



### 1-Button Transmitter (FM135)

The **Mighty Mule** entry transmitter, with adjustable code settings, is standard equipment with all **Mighty Mule** systems. (Battery is included.)



## If you have a question about any special order item, call Customer Service: 1-800-421-1587

The contents of all material available on this installation manual are copyrighted by Nice North America LLC (“Nice North America”), unless otherwise indicated. All rights are reserved by Nice North America, and content may not be reproduced, downloaded, disseminated, published, or transferred in any form or by any means, except with the prior, written permission of Nice North America. Any reprinting of Nice North America publications is by permission only. Copyright infringement is a violation of federal law.

Mighty Mule®, E-Z Gate®, Nice North America®, “Dual Sense Technology” are registered trademarks of Nice North America LLC, America’s DIY Automatic Gate Openers is a trademark of Nice North America LLC and are the exclusive property of Nice North America LLC (“Nice North America”).

All rights are reserved by Nice North America, and these marks may not be used, in any for without the prior, written permission of Nice North America.

# FM130 & FM136 Accessory Installation Instructions

## FM130 Installation

For the FM130 to function, the “Transmitter Module” must be programmed your gate operator’s control board.

### Before you begin:

- Ensure the gate operator is in the OPEN position.
- Check to ensure the PUSH-PULL DIP setting is correct (see **page 36**). If you have to change this DIP setting, turn the unit OFF then ON to save setting.
- Ensure the AUTOCLOSE is set to OFF.



FM130

Step 1: Choose a random dip switch setting on the Transmitter Module.

Step 2: On the gate operator control board, press and hold the **S3** button until LED2 illuminates and the buzzer sounds. Release the button.

Step 3: Insert both batteries into the transmitter module. The transmitter module will begin transmitting.

Step 4: Once Learned, LED2 will flash and the buzzer will sound indicating that the Transmitter Module has been learned. Remove the AA batteries from the Transmitter Module, and proceed with the rest of the installation following the accessory instructions.

### NOTES:

1. **If you need to erase this device, repeat steps 2-4 above.**
2. **Erasing all transmitters on the gate operator control board will erase this device.**
3. **AUTOCLOSE may be turned back on after setup is complete.**

## FM136 Installation

As an alternative to the instructions provided with the FM136, the keypad can be learned to your gate operator as an additional transmitter by following these instructions:

Step 1: Choose a random DIP setting on the keypad unit. Refer to the FM136 manual for the location of the DIP switches.

Step 2: On the gate operator control board, press and hold the **S3** button until LED2 illuminates and the buzzer sounds. Release the button.

Step 3: Enter your MASTER CODE on the FM136 keypad (1-2-3-4 is the default unless changed). Once learned, LED2 will flash and the buzzer will sound on the gate operator control board. Proceed with installation of the FM136 per the accessory instructions.



### NOTES:

1. **If you need to erase this device, repeat steps 2-3 above.**
2. **Erasing all transmitters on the gate operator control board will erase this device.**

# Troubleshooting Guide - Audible Feedback

If your gate operator does not function properly after it is installed, use this guide before calling Customer Service.

Audible Feedback	Possible Diagnosis	Check/Solution
Continuous Alarm	Control Board senses an obstruction or lack of arm movement	<ul style="list-style-type: none"> <li>➤ Path of gate</li> <li>➤ Gate for adequate maintenance, free swinging, level and plumb</li> <li>➤ Adjust Stall Force level</li> <li>➤ Disconnect obstruction detection devices</li> <li>➤ 2" clearance not met (see <b>page 18</b>)</li> <li>➤ Arm power cable connections</li> </ul>
1 beep every 10 seconds	Low battery	<ul style="list-style-type: none"> <li>➤ Check fuses</li> <li>➤ Battery harness connections</li> <li>➤ Battery under load or inadequate charge</li> <li>➤ AC output at 120 Vac, transformer output at 19 Vdc</li> <li>➤ Solar panel(s) output based on weather conditions</li> <li>➤ Wiring from charge source to control board, verify correct polarity</li> </ul>
2 beeps every 10 seconds	Motor fault	<ul style="list-style-type: none"> <li>➤ Operator arm(s) connections</li> <li>➤ Internal motor short</li> <li>➤ Check fuses</li> <li>➤ Battery harness connections</li> <li>➤ Battery under load or inadequate charge</li> </ul>
1 beep, pause, 1 beep,.....	Open circuit Primary arm	<ul style="list-style-type: none"> <li>➤ Primary arm connections (white and green)</li> <li>➤ Arm power cable</li> </ul>
2 beeps, pause, 2 beeps,.....	Open circuit Secondary arm	<ul style="list-style-type: none"> <li>➤ Secondary arm connections (white and green)</li> <li>➤ Arm power cable</li> </ul>
3 beeps, pause, 3 beeps,.....	Short circuit Primary arm	<ul style="list-style-type: none"> <li>➤ Primary arm connections (white and green)</li> <li>➤ Arm power cable</li> </ul>
4 beeps, pause, 4 beeps,.....	Short circuit Secondary arm	<ul style="list-style-type: none"> <li>➤ Secondary arm connections (white and green)</li> <li>➤ Arm power cable</li> </ul>

# Troubleshooting Guide - Audible Feedback

Audible Feedback	Possible Diagnosis	Check/Solution
5 beeps, pause, 5 beeps,.....	Stuck limit switch Primary Arm or reading open motor circuit	<ul style="list-style-type: none"> <li>➤ Arm power cable wires shorted, crossed or cut/disconnected</li> </ul>
6 beeps, pause, 6 beeps,.....	Stuck limit switch Secondary arm or reading open motor circuit	<ul style="list-style-type: none"> <li>➤ Arm power cable wires shorted, crossed or cut/disconnected</li> </ul>
1 beep, pause, 3 beeps, pause, 1 beep, pause, 3 beeps, pause,.....	Reading secondary motor short condition	<ul style="list-style-type: none"> <li>➤ Turn the system off and back on.</li> <li>➤ Motor leads shorted</li> <li>➤ Internal arm problem, or control board problem</li> </ul>
The unit clicks with no arm movement	Internal motor problem or low battery	<ul style="list-style-type: none"> <li>➤ Internal arm problem</li> <li>➤ Check fuses</li> <li>➤ Battery harness connections</li> <li>➤ Battery under load</li> <li>➤ Inadequate charge</li> </ul>

Additional information can be found by contacting Customer Service.

# Troubleshooting Guide - Visual Feedback

If your gate operator does not function properly after it is installed, use this guide before calling the Customer Service.

Visual Feedback	Possible Diagnosis	Check/Solution
The unit does not seem to turn on	Blown fuse(s) Lack of power Power switch	<ul style="list-style-type: none"> <li>➤ Ensure the unit is switched on</li> <li>➤ Check fuses</li> <li>➤ Battery harness connections</li> <li>➤ Battery under load or inadequate charge</li> </ul>
Unit requires a power cycle in order to reset the error	LED 2 (red) 1 blink, pause, 1 blink,.....	Cycle (CYCL) terminal shorted
	LED 2 (red) 2 blinks, pause, 2 blinks,.....	Safety (SAFE) terminal shorted
	LED 2 (red) 3 blinks, pause, 3 blinks,.....	Exit (EXIT) terminal shorted
	LED 2 (red) 4 blinks, pause, 4 blinks,.....	Shadow (SHDW) terminal shorted
	LED 2 (red) 5 blinks, pause, 5 blinks,.....	Close Edge (CLOSE EDGE) terminal shorted
	LED 2 (red) 6 blinks, pause, 6 blinks,.....	Open Edge (OPEN EDGE) terminal shorted
Charge LED rapidly flashing	Unit does not detect the presence of a battery	<ul style="list-style-type: none"> <li>➤ Check fuses</li> <li>➤ Battery harness connections</li> <li>➤ Battery under load or inadequate charge</li> </ul>
Charge LED off	Unit not charging	<ul style="list-style-type: none"> <li>➤ Check fuses</li> <li>➤ Battery harness connections</li> <li>➤ Battery under load or inadequate charge</li> <li>➤ AC output at 120 Vac, transformer output at 19 Vdc</li> <li>➤ Solar panel(s) output based on weather conditions</li> <li>➤ Wiring from charge source to control board, verify correct polarity</li> </ul>
Charge LED Flashing	Battery or Batteries disconnected	Connect battery/batteries



# Troubleshooting Guide - Visual Feedback

Visual Feedback	Possible Diagnosis	Check/Solution
The unit will not run	<ol style="list-style-type: none"> <li>1) Closed / open limit(s) not programmed</li> <li>2) Transmitter not programmed</li> <li>3) Battery issues</li> <li>4) Arm problem</li> </ol>	<ul style="list-style-type: none"> <li>➤ Program closed / open limit(s), see <b>pages 37-40</b></li> <li>➤ Program transmitter, see <b>page 41</b></li> <li>➤ Check fuses</li> <li>➤ Battery harness connections</li> <li>➤ Battery under load or inadequate charge</li> <li>➤ Check arm connections to control board, and then turn the system off and back on. If there is a click and no movement, there is an issue with the arm or power cable</li> </ul>
The unit stops before reaching the proper open or close position.	<p>Limit position not adjusted/set correctly.</p> <p>The unit is receiving a stop command.</p> <p>Hardware not positioned correctly</p>	<ul style="list-style-type: none"> <li>➤ Reset the extended limit position. Note: if this problem has occurred, make sure the resetting of limit(s) begins with the operator arm fully retracted. Do not spin the tube out by hand in order to attach it to the gate bracket.</li> <li>➤ Adjust the arm's retracted position by moving or repositioning the hardware.</li> <li>➤ Adjust the arm hardware (this would correct the retracted position of the arm)</li> <li>➤ Check for a triggered (stuck) transmitter or accessory by removing batteries from all other wireless accessories.</li> </ul>
The unit reverses before completing an open or close.	Gate/unit has sensed an obstruction.	<ul style="list-style-type: none"> <li>➤ Path of gate</li> <li>➤ Gate for adequate maintenance, free swinging, level and plumb</li> <li>➤ Adjust Stall Force level</li> <li>➤ Disconnect obstruction detection devices</li> <li>➤ 2" clearance not met (see <b>page 18</b>)</li> <li>➤ Arm power cable connections</li> </ul>
The auto close seems to be working in reverse and/or accessories not operating properly	Dip switch 1 in the wrong position, or was not updated by the system.	<ul style="list-style-type: none"> <li>➤ Turn unit off then back on</li> <li>➤ Move dip 1 to the correct position, and then turn unit off then back on</li> <li>➤ Check accessories and connections</li> </ul>
F1 fuse (top left) blown	Transformer or solar wired to board incorrectly.	<ul style="list-style-type: none"> <li>➤ Correct wiring</li> <li>➤ Replace fuse</li> </ul>
F2 fuse (bottom left fuse) blown	Battery or Batteries connected incorrectly.	<ul style="list-style-type: none"> <li>➤ Check battery connections and harness, ensure the battery is connected red to red (+) and black to black (-)</li> <li>➤ Replace F2 fuse and harness fuse if blown</li> </ul>
Harness fuse blown	Battery or Batteries connected incorrectly.	<ul style="list-style-type: none"> <li>➤ Check battery connections and harness, ensure the battery is connected red to red (+) and black to black (-)</li> <li>➤ Replace harness fuse and F2 fuse if blown</li> </ul>

Additional information can be found by contacting Customer Service at 1-800-421-1587.

# Gate Operator Installation Checklist

- |                          |   |
|--------------------------|---|
| <input type="checkbox"/> | 1. The gate has been checked to make sure it is level and moves freely in both directions.  |
| <input type="checkbox"/> | 2. Potential pinch areas have been guarded so as to be inaccessible OR have sensing edges and/or photo beam obstruction detection devices installed.  |
| <input type="checkbox"/> | 3. The installer has installed one or more contact or non-contact obstruction sensing devices, if required for this installation.   |
| <input type="checkbox"/> | 4. If pedestrian traffic is expected, a separate pedestrian gate has been installed, a minimum of seven feet from the gate system. All pedestrian traffic must use the pedestrian gate.   |
| <input type="checkbox"/> | 5. Warning signs have been installed on each side of the gate in highly visible locations. These signs must remain at all times.  |
| <input type="checkbox"/> | 6. There are no controls installed on the gate operator, or within 10 feet of the gate.   |
| <input type="checkbox"/> | 7. The Dual Sense Technology™ feature has been properly adjusted to the minimum operational setting for your application.   |
| <input type="checkbox"/> | 8. Reviewed and understand all of the operational functions, obstruction sensing devices, warning beeper and reset, etc.  |
| <input type="checkbox"/> | 9. Review and understand the proper use of the operator's manual disconnect feature. The manual disconnect must never be used while the gate is in motion. The power switch must be turned off before using the manual disconnect and disengaging the operator. |
| <input type="checkbox"/> | 10. Reviewed all safety instructions, and keep the safety instructions and owner's information sheets for reference.  |
| <input type="checkbox"/> | 11. Review and understand the maintenance schedule for both the gate and the gate operator.   |

# Maintenance

- Monthly, test the obstruction and entrapment protection systems.
- Monthly, service the gate operator (make sure the power switch is OFF). Clean extended operator arm with a soft, dry clean cloth.
- On all gates weighing 250 lb. or more, routinely grease the ball bearing hinges at least 4 times a year; more frequently if the gates are near a coastal area.
- Monthly, turn off the power switch and disconnect the Mighty Mule and move the gate to make sure the gate is moving freely without sticking or binding. Lubricate the hinges or repair the gate as required before reattaching the Mighty Mule.
- Monthly, check the gate system for potential entrapments from new landscaping or construction. Eliminate or guard as required.
- Monthly, check that the warning signs are mounted on each side of the gate and clearly visible. Replace the signs if they are missing or damaged.
- Replace batteries every 2-3 years and properly recycle old batteries.

# Repair Service

If your Mighty Mule Gate Opener is not operating properly, please follow the steps below:

1. First use the procedures found in the **Troubleshooting and Maintenance** pages (see **pages 50-55**).
2. If you are unable to solve the problem, call the Tech Service Department at 800-421-1587.
3. For 24 hour, 7 days a week troubleshooting and support online, go to our help center site at **<http://www.mightymule.com/help-center/>**.
4. If repair or replacement of your gate operator is necessary, the Service Department will assign a Return Authorization (RA) number.
5. Include a copy of your receipt and securely pack the component(s) authorized for return to the factory. Write the RA number issued to you on the outside of the package in LARGE BOLD PRINT. Ship the package(s) freight prepaid to the address provided during the RA process.

**NOTE:** Products returned without a Return Authorization (RA) number in LARGE BOLD PRINT on the outside of the package WILL NOT be accepted. Items returned to Nice North America freight collect WILL NOT be accepted. Items returned without proof of purchase will not be repaired under warranty.

The Mighty Mule Technical Service Department is open  
Monday – Friday, 5:00am – 4:00pm PST

For 24 hour, 7 days a week troubleshooting and support online, go to our help center site at:

**<http://www.mightymule.com/help-center/>**

**Telephone 800-421-1587**

**[www.mightymule.com](http://www.mightymule.com)**



**Mighty Mule Customer Service 800-421-1587**

*For more information about the full line of Mighty Mule Automatic Gate Operators, Gate Openers and Access Controls visit*

**[www.mightymule.com](http://www.mightymule.com)**

---

10022114 Rev-H



**Niceforyou.com**

©2024 Nice North America LLC.

Mighty Mule is a registered trademark of Nice North America LLC. All rights reserved.

The contents of all material available on this installation manual are copyrighted by Nice North America LLC ("Nice North America"), unless otherwise indicated. All rights are reserved by Nice North America, and content may not be reproduced, downloaded, disseminated, published, or transferred in any form or by any means, except with the prior, written permission of Nice North America. Any reprinting of Nice North America publications is by permission only. Copyright infringement is a violation of federal law.

Mighty Mule®, E-Z Gate®, "Dual Sense Technology" are registered trademarks of Nice North America LLC, America's DIY Automatic Gate Openers is a trademark of Nice North America LLC and are the exclusive property of Nice North America LLC ("Nice North America").

Copyright ©2024 Nice North America LLC. All rights are reserved by Nice North America, and these marks may not be used, in any for without the prior, written permission of Nice North America. HomeLink® and the HomeLink House® logo are registered trademarks of Gentex Corporation.