

# LC Quad Adaptor Without Flange

## Application

Adaptor designed for high density applications, to align fibre optic connectors linking fibre connections of the same type. Fit standard SC Duplex footprint for patch panels, cassettes and adaptor plates.

## Description

LC Quad Singlemode Adaptor in blue with reduced flange. The mating sleeve is designed to connect four duplex or eight simplex LC fibre optic Singlemode fibres.

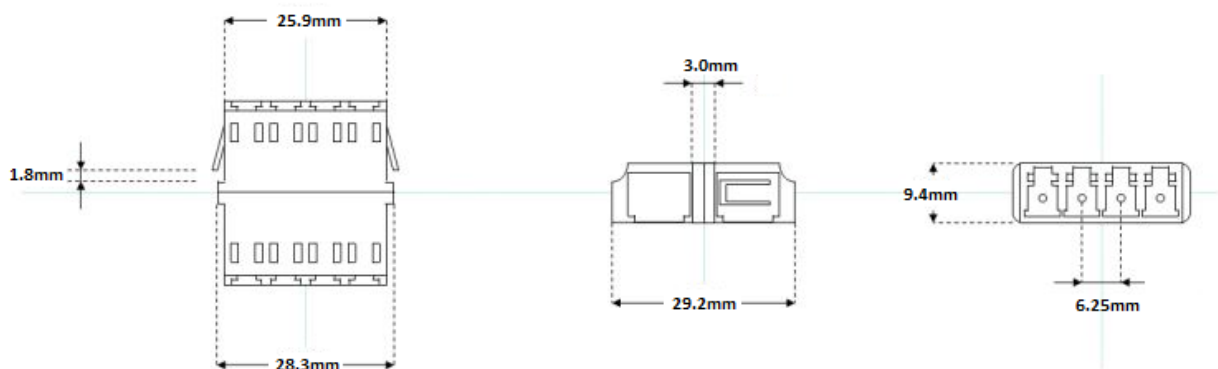
## Physical Characteristics

Alignment Sleeve:

Zirconia Ceramic

Operating Temperature:

-40 to +85°C



*\*Adaptor image and colour is for illustrative purposes only.*