

# Carver

## Shower Door Installation Guide

Model Numbers SH6059 \* SH6659 \* SH4878 \* SH6078

Please use eye protection



revised 5/21

[Carvertubs.com](http://Carvertubs.com)

Carver Customer Service (816) 547-3194

# Carver

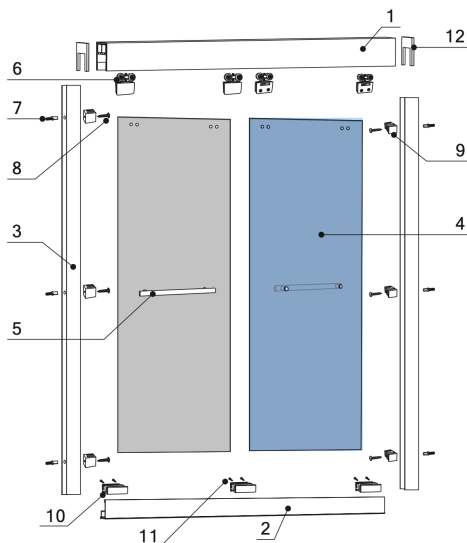
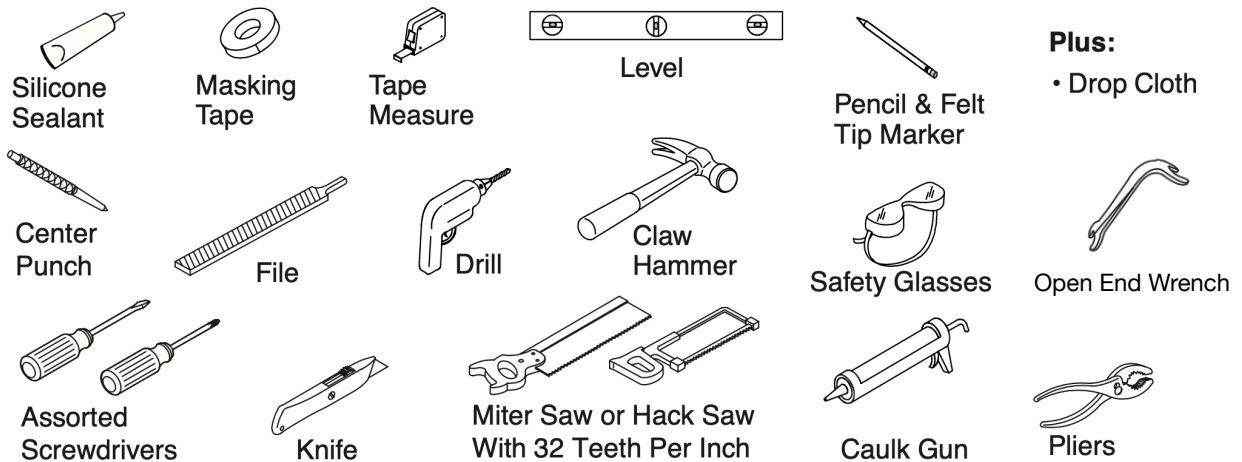
# Shower Door Installation Guide

Model Numbers SH6059 \* SH6659 \* SH4878 \* SH6078

Please use eye protection

## Tools and Materials Needed

**Caution:** Always use eye protection while cutting or drilling



**Note:** Tempered glass can not be cut.

## Parts Included in Box:

NO.	Element	QTY	Fig	NO.	Element	QTY	Fig
①	Up running track	1		⑦	Bolt	6	
②	Down running track	1		⑧	ST3. 9*40	6	
③	Wall profile	2		⑨	Bumper block	6	
④	Movable glass	2		⑩	Slide block	3	
⑤	Door handle	2		⑪	ST3. 9*13	6	
⑥	Wheel	4		⑫	Plastic garnish	2	



revised 5/21

Carvertubs.com

Carver Customer Service (816) 547-3194

# Carver

# Shower Door

## Installation Guide

Model Numbers SH6059 \* SH6659 \* SH4878 \* SH6078

Please use eye protection



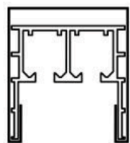
Part 5  
Door Trolley  
4 each



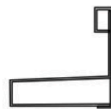
Part 9  
Bumper Block  
6 each



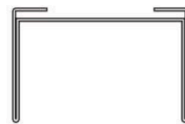
Part 10  
Side Block  
3 each



Part 1  
Top Rail Track  
Profile 1 each



Part 2  
Bottom Rail Track  
Profile 1 each



Part 3  
Wall Track  
2 each



Part 5  
Slider Door  
Handle  
2 each

## Installation

### Step 1

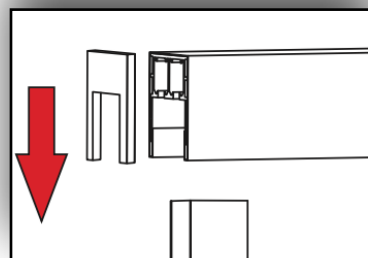
Measure, cut and install **Bottom Rail Track**. (2) Be sure to level track.

### Step 2

Install **Wall Track** (3) on each end, take care to plumb each track.

### Step 3

Measure, cut and verify fit of **Top Rail Track** (1) make sure to allow space for end caps/garnish (12).



# Carver

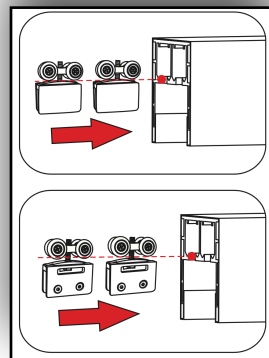
# Shower Door Installation Guide

Model Numbers SH6059 \* SH6659 \* SH4878 \* SH6078

Please use eye protection

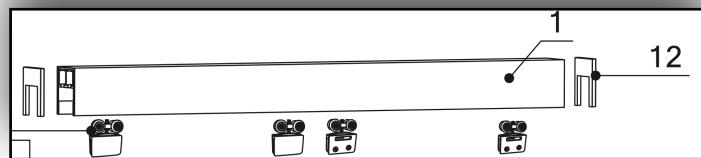
## Step 4

Slide **Door Trolley Wheels (5)** 2 each in front track and 2 in back track channel.



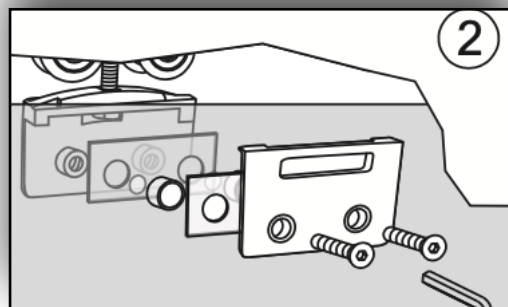
## Step 5

Install **Top Rail Track (1)** with wheel trolleys (6) and end garnish (12) in place.



## Step 6

Install 2 **Glass Doors (6)**  
Figure: 2



# Carver

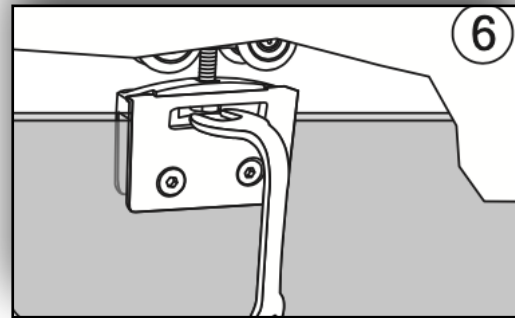
# Shower Door Installation Guide

Model Numbers SH6059 \* SH6659 \* SH4878 \* SH6078

Please use eye protection

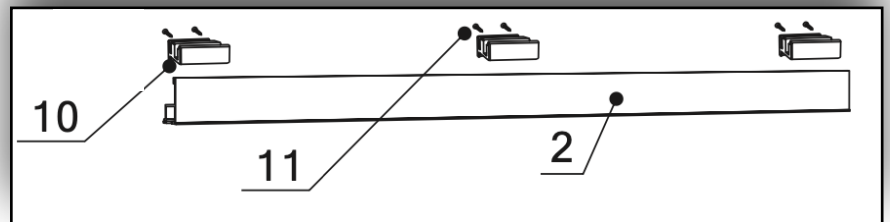
## Step 7

Adjust Wheel Trolleys to ensure smooth door travel.  
Figure 6

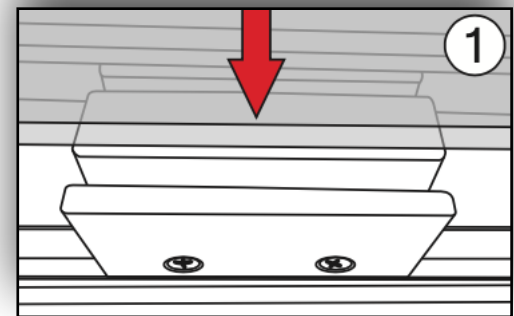


## Step 8

Install lower Slide Blocks (10)

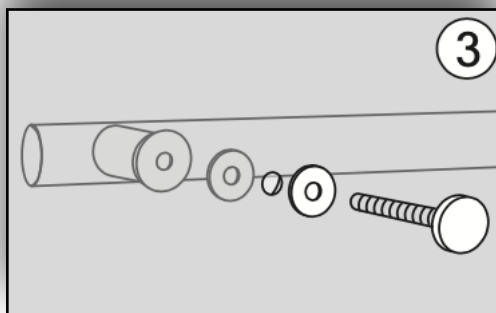


**Note:** Middle Slide Block needs to be aligned with bottom of shower door glass.  
Figure 1



## Step 9

Install two Door Handles (5)  
Figure 3



# Carver

## Shower Door Installation Guide

Model Numbers SH6059 \* SH6659 \* SH4878 \* SH6078

Please use eye protection



revised 5/21

Carvertubs.com

Carver Customer Service (816) 547-3194

# Carver

# Shower Door

## Installation Guide

Model Numbers SH6059 \* SH6659 \* SH4878 \* SH6078

Please use eye protection

Installation Instruction [Video](#)

Special thanks to: "How to Bob"



revised 5/21

Carvertubs.com

Carver Customer Service (816) 547-3194