

### LEDGEND

- M** MOTOR
- B** AIR BLOWER
- AIR JET
- LG DIRECTIONAL JET
- SM BACK JET

**ROUGH IN:** 58" x 34" x 20"  
**DECK CUT-OUT:** 58" x 34"  
**FINISHED DECK HEIGHT:** 20"

**MATERIAL:** Acrylic  
**TUB FLOOR:** Slip-Resistant  
**WATER CAPACITY:** 50 Gallons  
**OVERFLOW HOLE:** Un-drilled. Overflow hole drilled upon request  
**SET IN MORTAR?:** Yes, 3" sand mix mortar/concrete set required

**MOTOR INSTALLATION:** Mounted under backrest  
*Motor Does not breach Tub's L x W Dimensions*

**ELECTRICAL REQUIREMENTS:**  
 Carver requires one (1) 20 AMP dedicated GFCI Breaker for each power supply provided with the bathtub

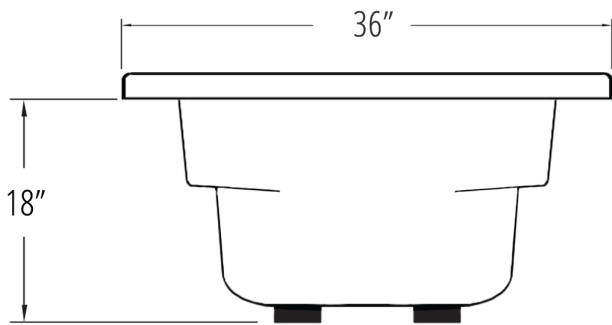
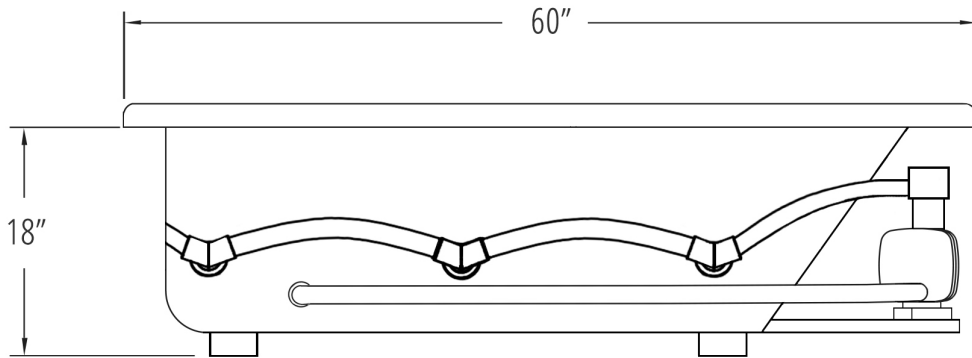
### ELECTRICAL DATA

Component	HP	AMP	Requirement
6 Jet Whirlpool Motor	.75 HP	7AMP	20AMP, 120V, GFCI
12 Jet Whirlpool Motor	1.5 HP	13AMP	20AMP, 120V, GFCI
14 Jet Whirlpool Motor	2 HP	13 AMP	20AMP, 120V, GFCI
Air Blower	1 HP	11.3 AMP	20AMP, 120V, GFCI
Optional Heater	n/a	12.5 AMP	20AMP, 120V, GFCI
LED Light	n/a		Light can share electrical



Carver Tubs  
 3303 Main Street  
 Grandview, MO 64030





**BATHTUB DIMENSIONS:** 60" x 36" x 18"

**ROUGH IN:** 58" x 34" x 20"

**DECK CUT-OUT:** 58" x 34"

**FINISHED DECK HEIGHT:** 20"

**MATERIAL:** Acrylic

**TUB FLOOR:** Slip-Resistant

**WATER CAPACITY:** 50 Gallons

**OVERFLOW HOLE:** Un-drilled. Overflow hole drilled upon request

**SET IN MORTAR?:** Yes, 3" sand mix mortar/concrete set required

**MOTOR INSTALLATION:** Mounted under backrest

*Motor Does not breach Tub's L x W Dimensions*

**ELECTRICAL REQUIREMENTS:**

Carver requires one (1) 20 AMP dedicated GFCI Breaker for each power supply provided with the bathtub

**ELECTRICAL DATA**

Component	HP	AMP	Requirement
6 Jet Whirlpool Motor	.75 HP	7AMP	20AMP, 120V, GFCI
12 Jet Whirlpool Motor	1.5 HP	13AMP	20AMP, 120V, GFCI
14 Jet Whirlpool Motor	2 HP	13 AMP	20AMP, 120V, GFCI
Air Blower	1 HP	11.3 AMP	20AMP, 120V, GFCI
Optional Heater	n/a	12.5 AMP	20AMP, 120V, GFCI
LED Light	n/a		Light can share electrical