

# ASSEMBLY INSTRUCTION







ITEM: 6500-75203T-80 Round Pedestal Table Top  
6500-75203B-80 Round Pedestal Table Base

Thank you for purchasing this quality product. Be sure to unpack carefully looking for small parts which may have come loose during shipment.

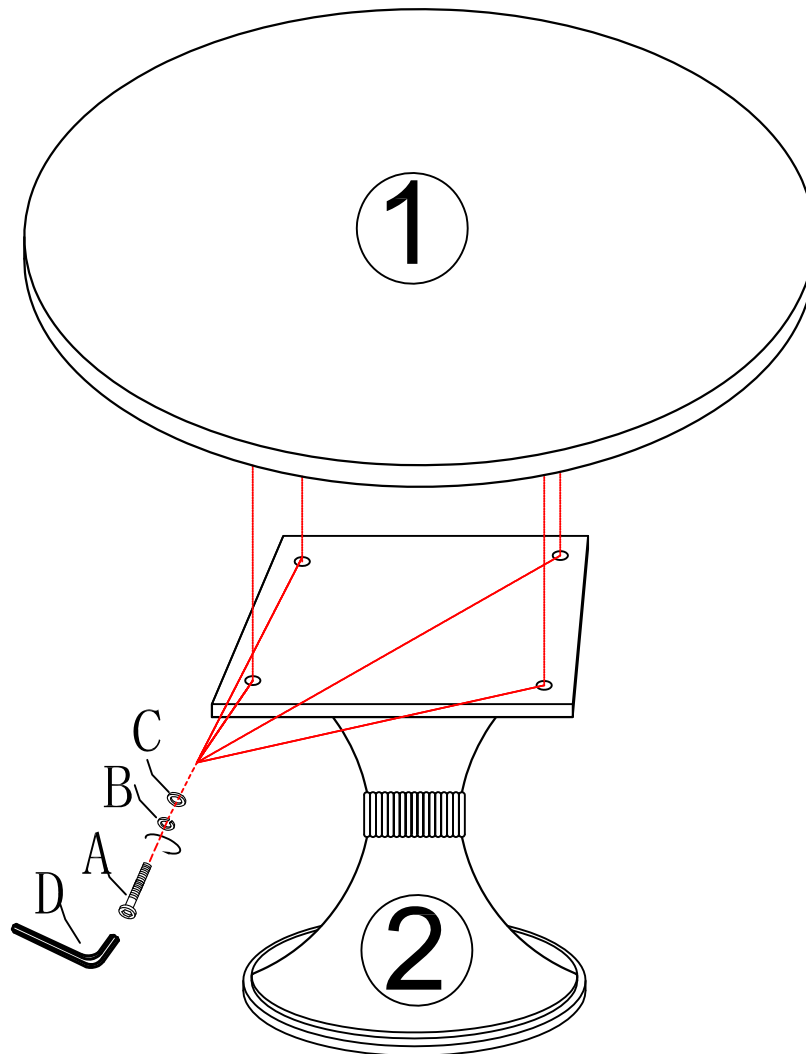
Read all instruction and study the drawing carefully before starting the assembly process.

HARDWARE PACK

PART LIST

NO.	DRAWING	DESCRIPTION	SIZE	Q' TY	NO.	DRAWING	DESCRIPTION	Q' TY
A		Bolt	$\frac{5}{16}$ "	4pcs	①		Top	1PC
B		Lock Washer	$\frac{5}{16}$ "	4pcs	②		Base	1PC
C		Flat Washer	$\frac{5}{16}$ "	4pcs				
D		Allen Wrench	5mm	1pc				

STEP 1

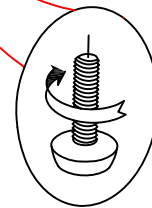
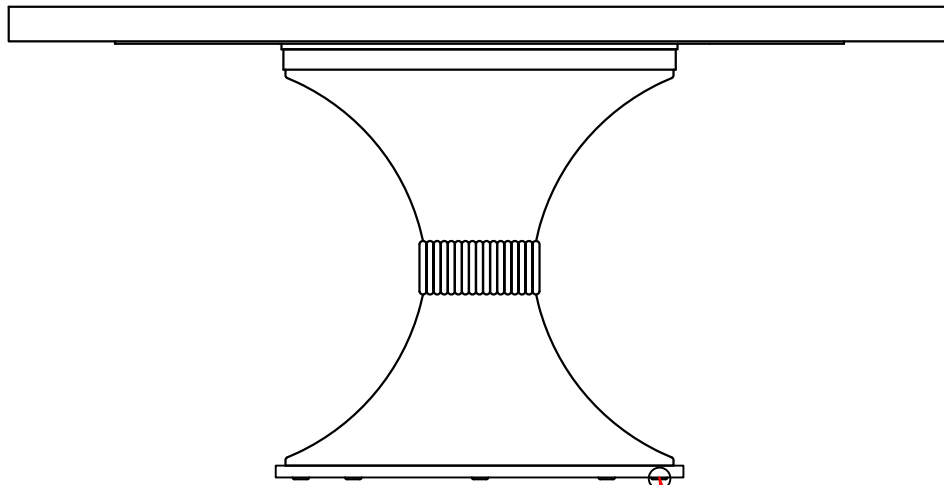


# ASSEMBLY INSTRUCTION

ITEM: 6500-75203T-80 Round Pedestal Table Top  
6500-75203B-80 Round Pedestal Table Base

Thank you for purchasing this quality product. Be sure to unpack carefully looking for small parts which may have come loose during shipment.

Read all instruction and study the drawing carefully before starting the assembly process.



STEP 2

Adjust Leveler if needed to level table on uneven floor.