


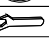



Item: 6150-75200-85 North Fork Rectangle Dining Table

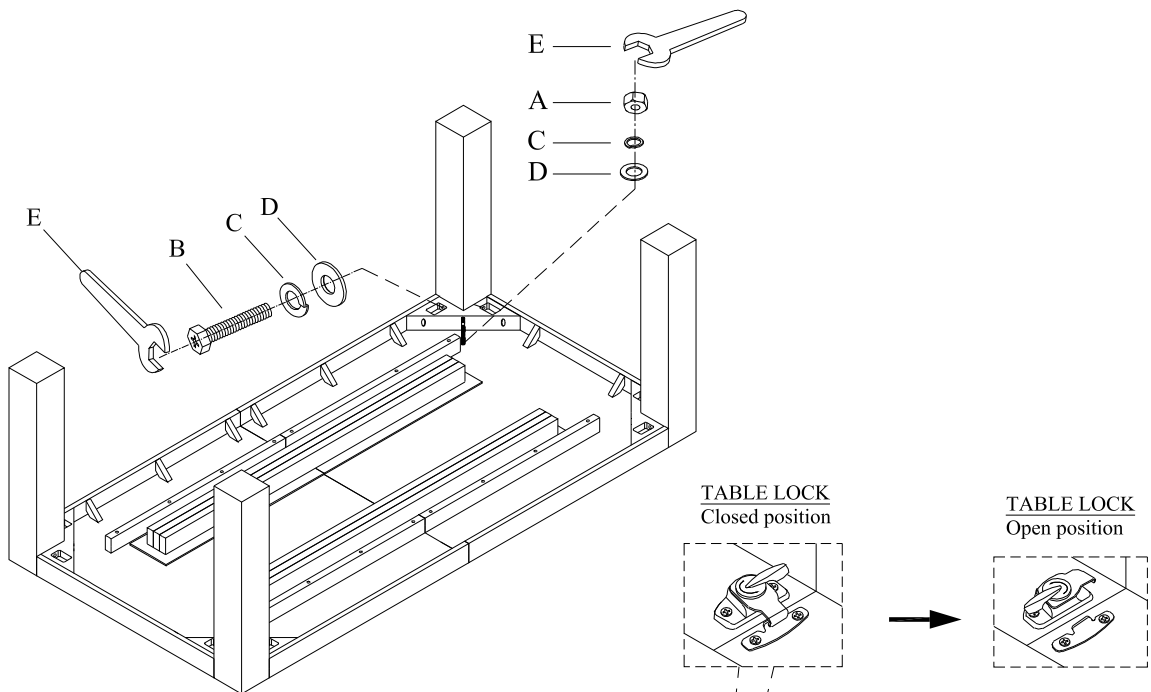
Thank you for purchasing this quality product. Be sure to unpack carefully looking for small parts which may have come loose during shipment.

Read all instruction and study the drawing carefully before starting the assembly process:

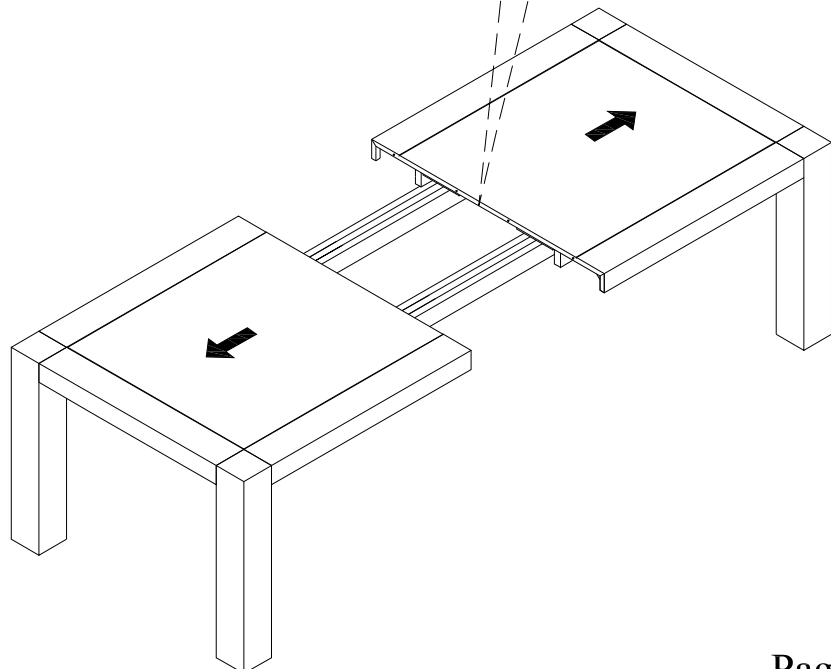
HARDWARE PACK

NO	DRAWING	DESCRIPTION	SIZE	Q'TY
A		Nut	Ø5/16*12	8pcs
B		Hexagonal Bolt	Ø 5/16 * 2"	8pcs
C		Lock Washer	Ø 5/16"*12*3	16pcs
D		Flat Washer	Ø 5/16"*19*2	16pcs
E		Hex Wrench	12mm	1pc

Step 1



Step 2



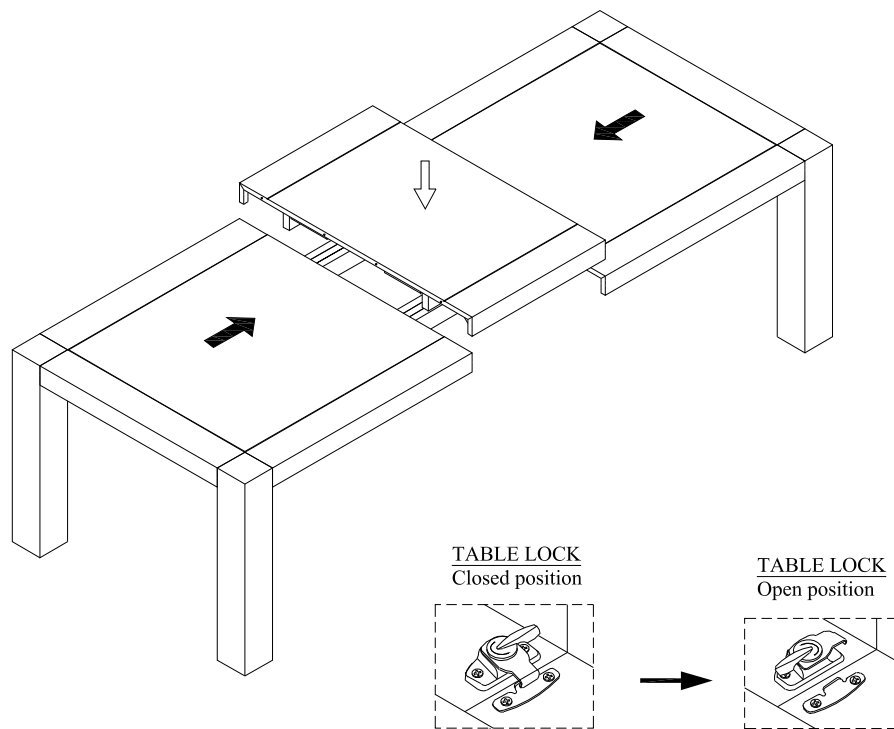
Adjust levelers if needed, to level case on uneven floor

Item: 6150-75200-85 North Fork Rectangle Dining Table

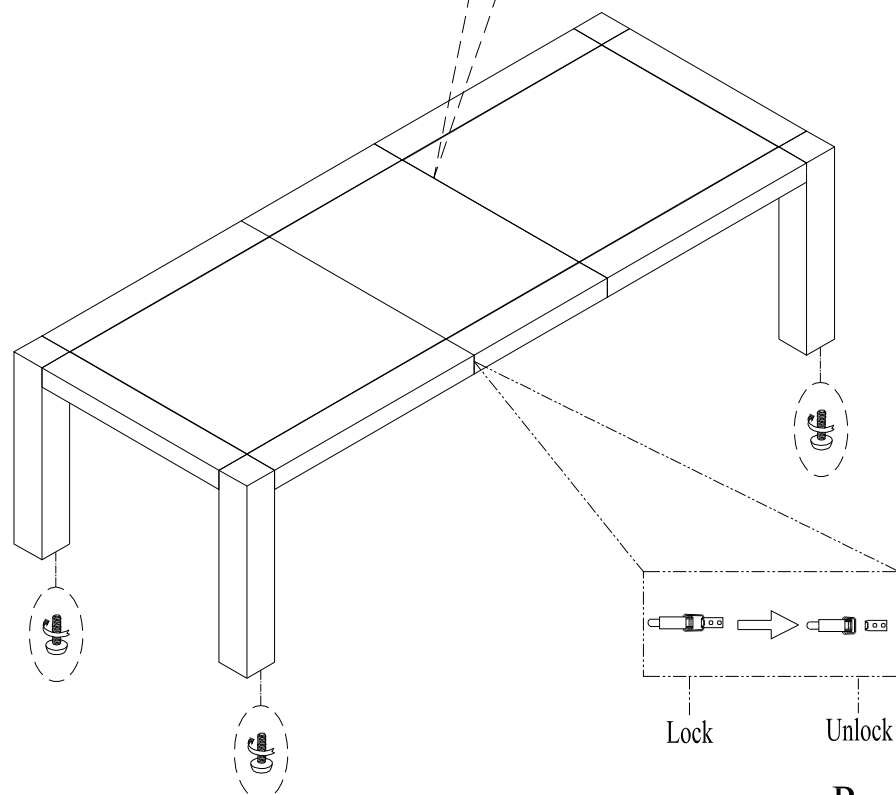
Thank you for purchasing this quality product. Be sure to unpack carefully looking for small parts which may have come loose during shipment.

Read all instruction and study the drawing carefully before starting the assembly process:

Step 3



Step 4



Adjust levelers if needed, to level case on uneven floor