

LiFePO₄ Battery Pack
LFP-12100LR 12.8V100Ah



★ **3 Years**

WARRANTY ★

GUARANTEED

Battery Specifications

| | |
|---------------------------------|--------------------------|
| Model | Inaeko LFP-12100LR |
| Battery Type | LiFePO4 |
| Terminal | M8 |
| IP Protection | IP 65 |
| Warranty | 3 years |
| Rated Voltage | 12.8 V |
| Rated Energy | 1280Wh |
| Usable Capacity | 1152kWh |
| DOD | 90% |
| Operational Voltage Range | 20V - 27.5V |
| Charging voltage | 14.0V-14.4V, CC-CV |
| Capacity Efficiency | ≥99.5% |
| Dimension L*W*H (mm) & Terminal | 300*170*210, M8 |
| Weight (kg) | 11.5±0.5 |
| Cycle life | >2000 times, @0.5C, 25°C |
| Design life | >10 years |
| Amp Hour Capacity | 100 AH |
| Terminal Torque | 12.4 NM |
| Case Material | ABS |
| Recommend Charge Voltage | 28.5 ±0.20V |

*A reliable, versatile lithium battery
to replace tubular and lead acid batteries*

Compatible with all inverter brands including:

- Axpert
- Growatt
- Victron
- Luminous

LiFePO4 Battery Pack
LFP-12100LR 12.8V100Ah

inaeko

Battery Specifications

| | |
|-------------------------------|--------------|
| Max Charge Voltage | 29.5 ± 0.20V |
| Recommend Charge current | 25 A |
| Max Charge Current | 100A |
| Charge Current (0 to -10°C) | <0.1 C |
| Charge Current (-20 to -10°C) | <0.05 C |
| Recommend Discharging voltage | 22.5 +0.20V |
| Max Discharging Voltage | 19.2 ±0.20V |

| | |
|---------------------------------|----------|
| Max Discharge Current | 100A |
| Pulse Discharge Current | 180 A±35 |
| Internal Resistance - Milliohms | <80 mQ |
| Efficiency round trip | > 99.5% |
| Self Discharge per Month | <3% |
| Max parallel connections | 4 pcs |
| Series connections | 51.2 V |

| | |
|-----------------------|----------------|
| Discharge Temperature | (-23 to 65) °C |
| Charge Temperature | (-3 to 65) C |
| Storage Temperature | (-20 to 45C) C |

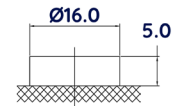
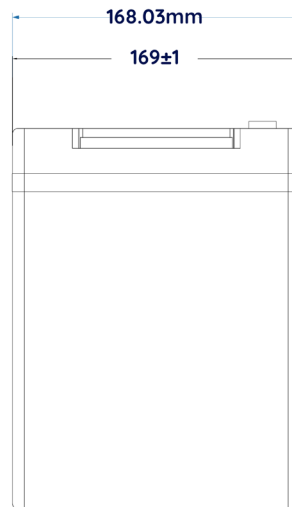
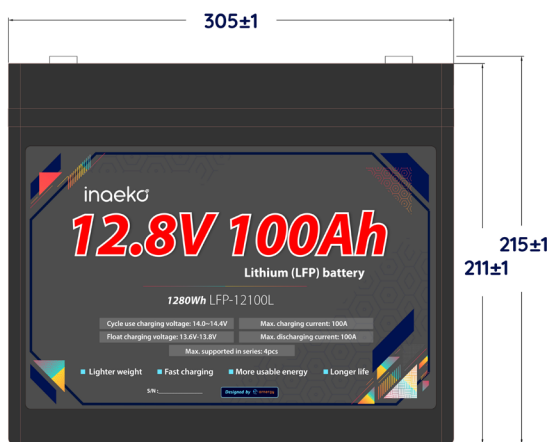
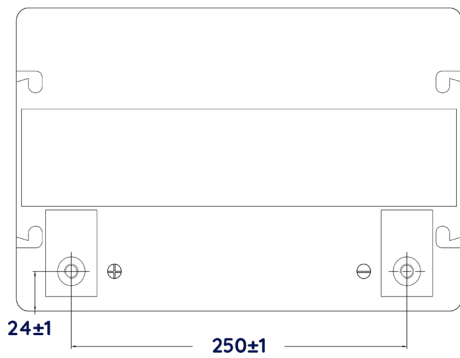
*A reliable, versatile lithium battery
to replace tubular and lead acid batteries*

Compatible with all inverter brands including:

- Axpert
- Growatt
- Victron
- Luminous

LiFePO₄ Battery Pack
LFP-12100LR 12.8V100Ah

inaeko



LiFePO₄ Battery Pack
LFP-12100LR 12.8V100Ah

inaeko

Reliable, Affordable, Clean Energy for Your Home or Business

☎ 01-8888-554 | 0700-228-8888 | 0800-228-8888 📞 (+234) 0802-288-8841

📍 1, Industrial Avenue, Ilupeju, Lagos 🌐 www.arnergy.com ✉ Support@arnergy.com

