



HYDRAULIC CYLINDERS CATALOG



www.Premium-Supply.com

== RUN WITH A WINNING TEAM! ==



ABOUT PREMIUM SUPPLY

YOUR HYDRAULIC SPECIALISTS

Premium Supply is a proud leader in the distribution of tilt and dump trailer build products. We specialize in offering premium dump trailer hoists, cylinders, hydraulic jacks, hydraulic pumps, accessories, and battery maintenance products to equip your trailers for the toughest jobs and conditions. The Power Hoist, our own hoist line, brings a whole new standard to the dump trailer hoist market.

With more than 25 years of combined industry experience, we've made it our mission to supply a wide variety of products to satisfied clients across the United States. When you choose Premium Supply, you're guaranteed to get a quality product with exemplary customer service.

OUR PRODUCTS

Welded Hydraulic Cylinders

Tie-Rod Hydraulic Cylinders

Telescopic Hydraulic Cylinders

Cylinder Components

Power Hoist Dump Trailer Kits

Hydraulic Trailer Jack Kits

Trailer Tilt Deck Kits

Trailer Direct Push Kits

Trailer Toolboxes

Hydraulic Pumps

Hydraulic Pump Controls

Hydraulic Valves

Hydraulic Hoses & Fittings

Battery Optimizer Kits

Battery Chargers & Maintainers

Battery Charging Stations

Solar Panel Battery Chargers

Winches

CONTACT US

You can contact us by phone, email, or mailing address using the following information:

Premium Supply

2038 W. Interstate 30

Greenville, TX 75402

U.S. CALL (TOLL FREE): (866) 934-0777

OUTSIDE THE U.S. CALL: (903) 455-7777

sales@premium-supply.com

MEMBERS OF

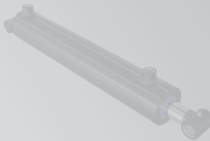


ALL PRODUCT SPECIFICATIONS ARE SUBJECT TO CHANGE WITHOUT PRIOR NOTICE
ALL NUMBERS GIVEN ARE NOMINAL VALUES AND SHOULD BE USED FOR REFERENCE ONLY



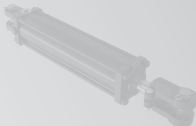
TABLE OF CONTENTS

PCC Premium Crosstube Welded Cylinders 3000 PSI



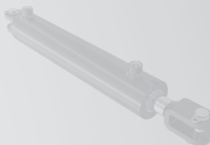
4 - 9

PCT Premium Tie-Rod Cylinders 2500 PSI



10 - 15

PCW Premium Clevis Welded Cylinders 3000 PSI



16 - 21

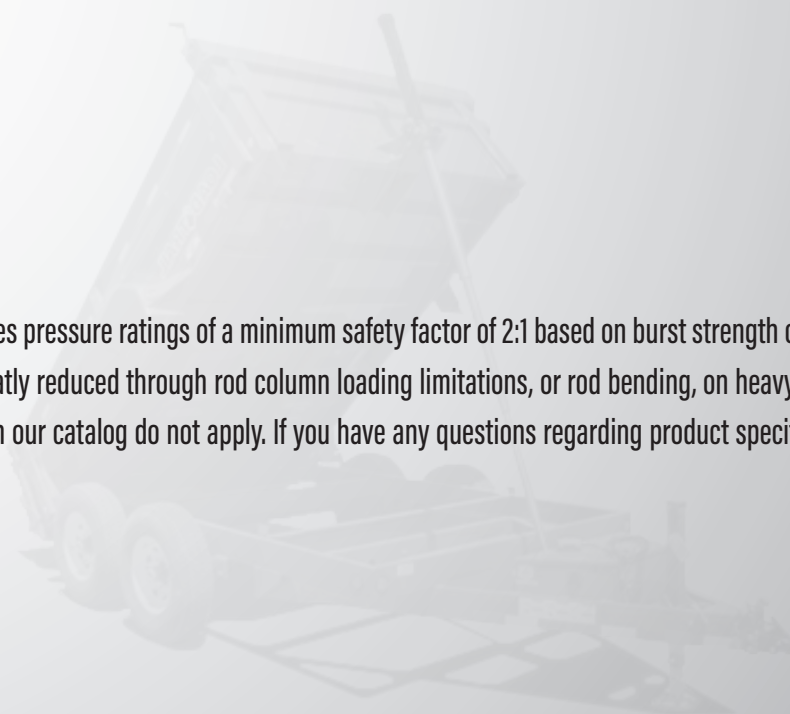
PCTL Premium Telescopic Cylinders 3000 PSI



22 - 25

IMPORTANT:

Our sales catalog chart indicates pressure ratings of a minimum safety factor of 2:1 based on burst strength of the cylinder body. Safe operating pressure can be greatly reduced through rod column loading limitations, or rod bending, on heavy loads and long strokes. Intermittent pressure ratings in our catalog do not apply. If you have any questions regarding product specifications, please contact your representative.



ALL PRODUCT SPECIFICATIONS ARE SUBJECT TO CHANGE WITHOUT PRIOR NOTICE
ALL NUMBERS GIVEN ARE NOMINAL VALUES AND SHOULD BE USED FOR REFERENCE ONLY

DURABLE STEEL END MOUNTS

High quality welds to withstand continuous high loads.

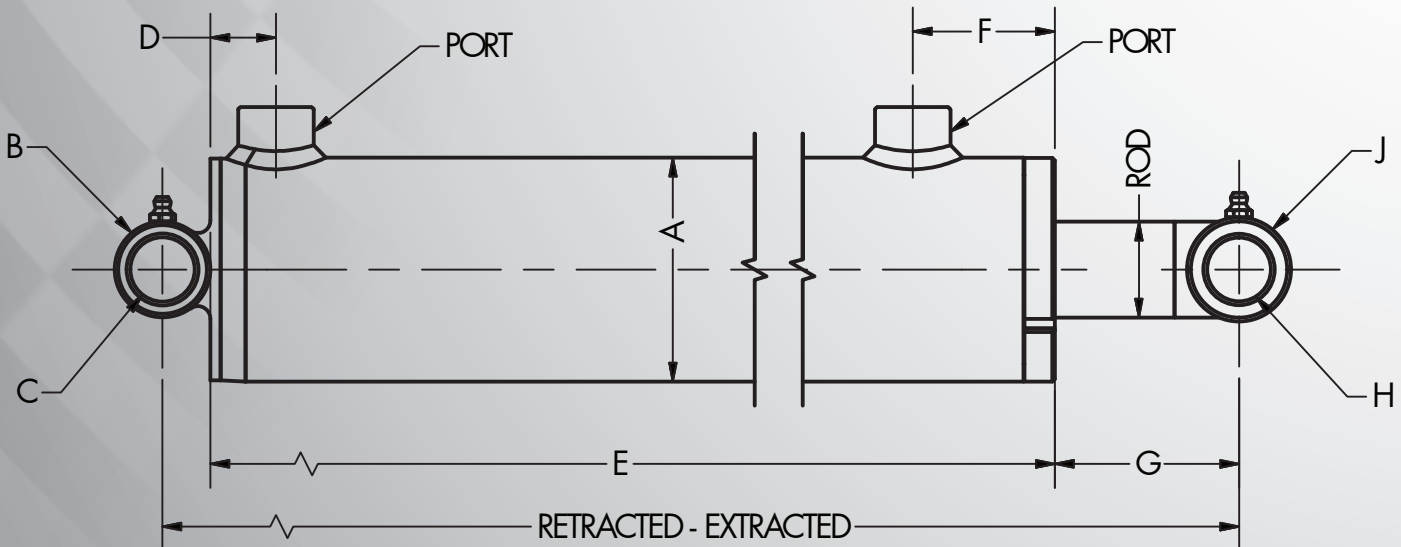
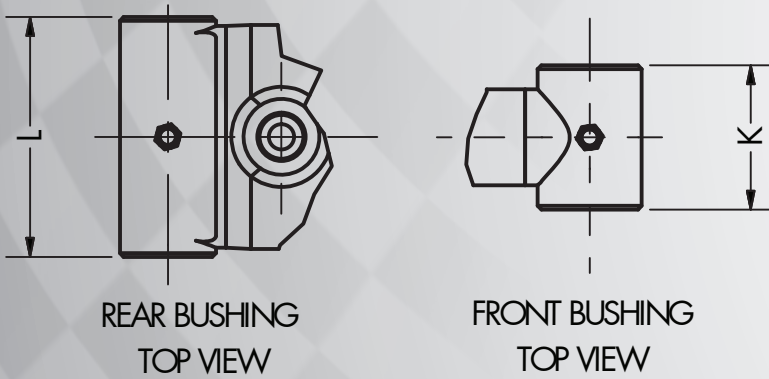
**3000
PSI**
Working Pressure

SEALS
Top Quality Seals



TUBE

Precision finished skived and burnished or honed heavy wall steel tubing for extended seal and cylinder life.



ALL PRODUCT SPECIFICATIONS ARE SUBJECT TO CHANGE WITHOUT PRIOR NOTICE
ALL NUMBERS GIVEN ARE NOMINAL VALUES AND SHOULD BE USED FOR REFERENCE ONLY



DOUBLE ACTING HYDRAULIC CYLINDER - CROSSTUBE

PISTON

Ductile iron precision machined providing a malleable bearing surface for extended cylinder life.

PCC

PREMIUM CROSSTUBE WELDED CYLINDER



PORTS

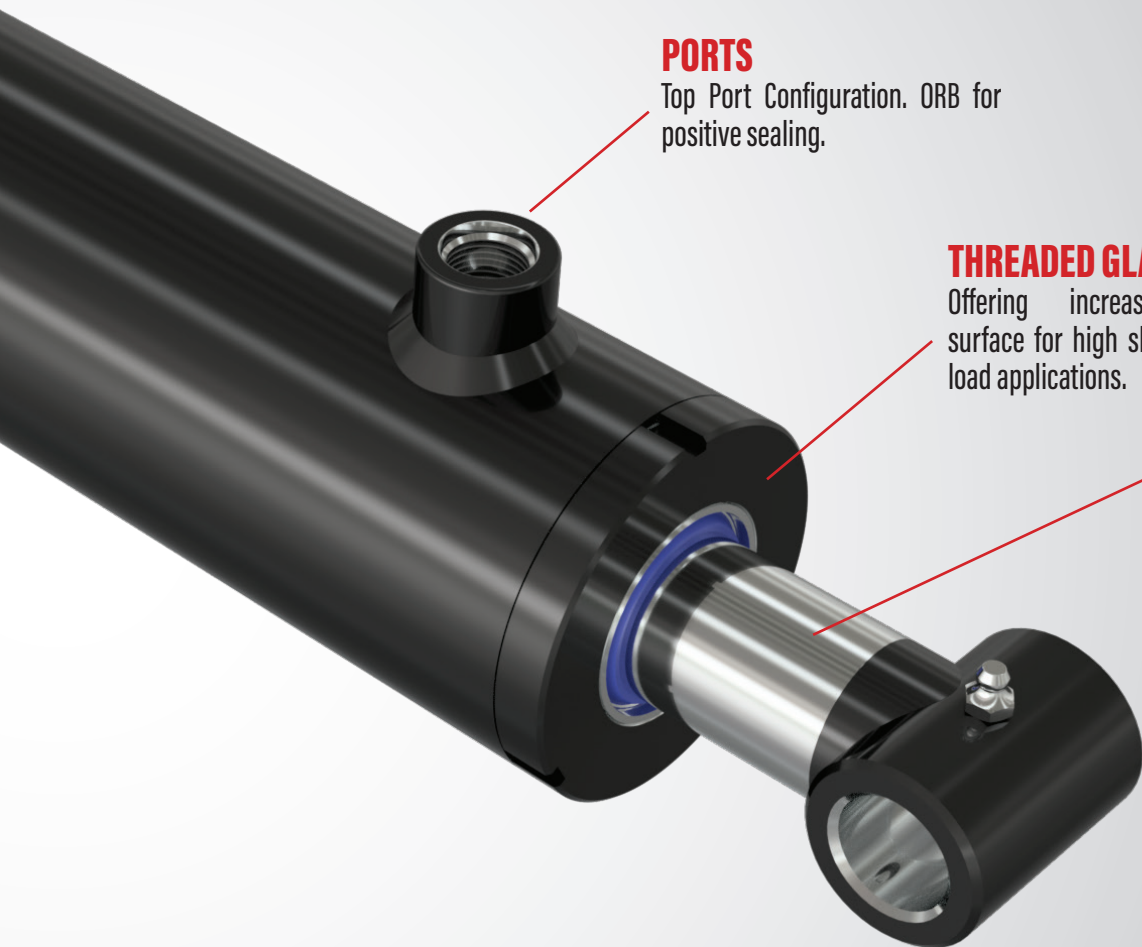
Top Port Configuration. ORB for positive sealing.

THREADED GLAND

Offering increased bearing surface for high shock and side load applications.

ROD

High tensile steel. Hard chrome plated (0.001" Th.) shaft provides extended cylinder life in harsh applications. Final surface hardness 69-71 Rockwell C. ASTM B117-07a salt spray testing 96 hours.



PCC DIMENSIONAL CHART

PART NUMBER	BORE	ROD	A	B, J	PIN SIZE C, H	D	F	G	K	L
PCC15-	1.50"	1.00"	2.000"	1.250"	0.750"	1.062"	1.875"	3.12"	2.00"	2.25"
PCC20-	2.00"	1.25"	2.500"	1.500"	1.000"	1.062"	2.187"	2.50"	2.25"	2.75"
PCC25-	2.50"	1.50"	3.000"	1.500"	1.000"	1.062"	2.187"	2.50"	2.25"	3.25"
PCC30-	3.00"	1.50"	3.500"	1.500"	1.000"	1.062"	2.187"	2.37"	2.25"	3.75"
PCC35-	3.50"	1.75"	4.000"	2.000"	1.250"	1.062"	2.187"	4.12"	2.25"	4.25"
PCC40-	4.00"	2.00"	4.500"	2.250"	1.500"	1.125"	2.187"	3.87"	2.50"	4.75"
PCC50-	5.00"	2.50"	5.500"	2.500"	1.750"	1.500"	2.750"	3.87"	3.25"	5.75"

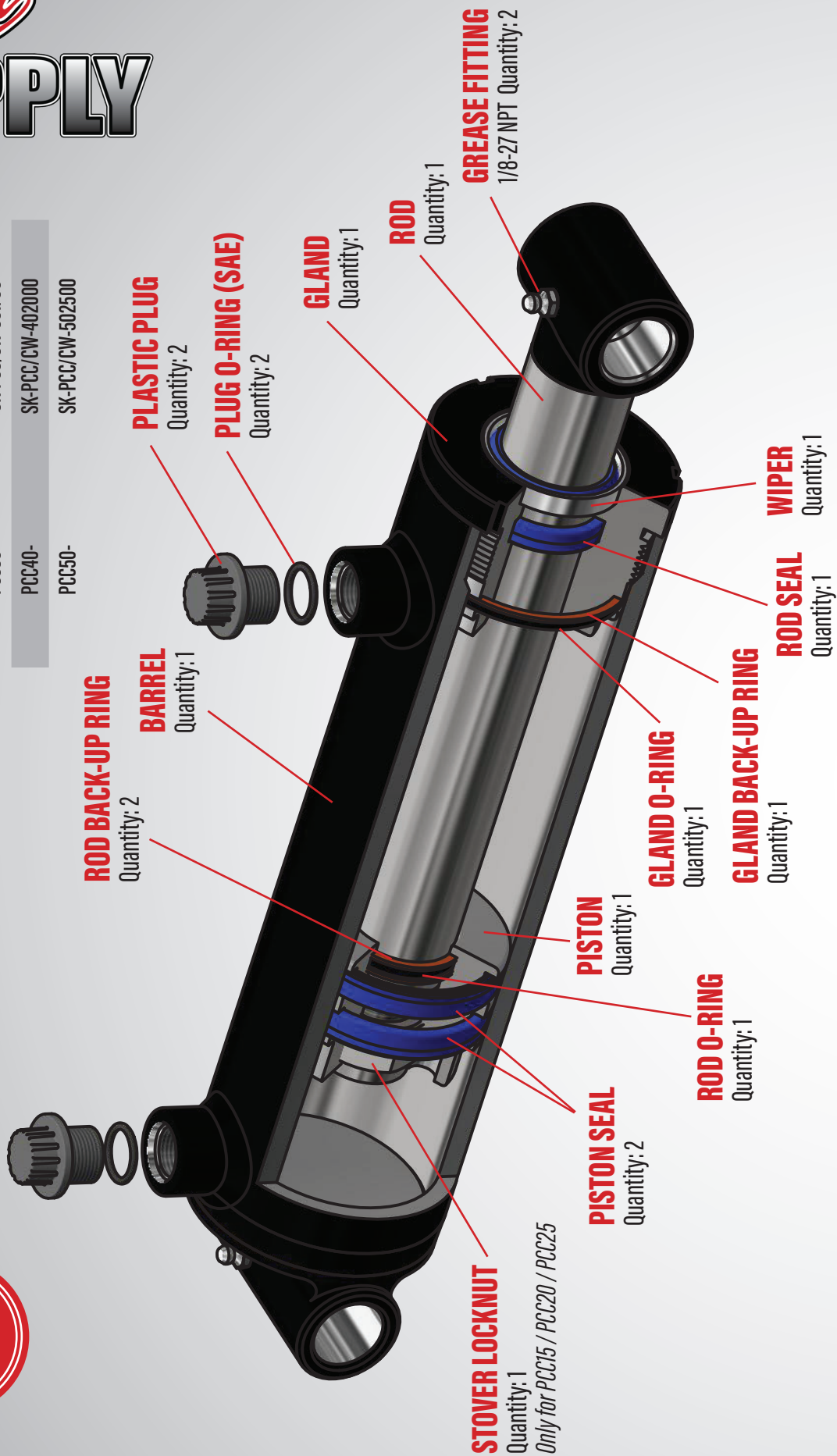
ALL PRODUCT SPECIFICATIONS ARE SUBJECT TO CHANGE WITHOUT PRIOR NOTICE. ALL NUMBERS GIVEN ARE NOMINAL VALUES AND SHOULD BE USED FOR REFERENCE ONLY.

ALL PRODUCT SPECIFICATIONS ARE SUBJECT TO CHANGE WITHOUT PRIOR NOTICE.
ALL NUMBERS GIVEN ARE NOMINAL VALUES AND SHOULD BE USED FOR REFERENCE ONLY.

PCC - PARTS IDENTIFICATION



SEAL KIT NUMBER	PART NO	SEAL KIT NUMBER
	PCC15-	SK-PCC-151000
	PCC20-	SK-PCC/CW-201250
	PCC25-	SK-PCC/CW-251500
	PCC30-	SK-PCC/CW-301500
	PCC35-	SK-PCC/CW-351750
	PCC40-	SK-PCC/CW-402000
	PCC50-	SK-PCC/CW-502500





DOUBLE ACTING HYDRAULIC CYLINDER - CROSSTUBE



1.500" BORE

3000 PSI WP

PART No.	STROKE	ROD Ø	RETRACTED	EXTRACTED	E	PORT	PIN	MAX FORCE LBS	WEIGHT (LBS)
PCC1504-ORB	4"	1"	12"	16"	8.25"	SAE#4 (1/4" NPT Available)	3/4"	5300	9
PCC1506-ORB	6"	1"	14"	20"	10.25"	SAE#4 (1/4" NPT Available)	3/4"	5300	10
PCC1508-ORB	8"	1"	16"	24"	12.25"	SAE#4 (1/4" NPT Available)	3/4"	5300	11
PCC1510-ORB	10"	1"	18"	28"	14.25"	SAE#4 (1/4" NPT Available)	3/4"	5300	13
PCC1512-ORB	12"	1"	20"	32"	16.25"	SAE#4 (1/4" NPT Available)	3/4"	5300	14
PCC1514-ORB	14"	1"	22"	36"	18.25"	SAE#4 (1/4" NPT Available)	3/4"	5300	15
PCC1516-ORB	16"	1"	24"	40"	20.25"	SAE#4 (1/4" NPT Available)	3/4"	5300	17

2.000" BORE

3000 PSI WP

PCC2004-ORB	4"	1-1/4"	12"	16"	8.75"	SAE#6 (3/8" NPT Available)	1"	9425	13
PCC2006-ORB	6"	1-1/4"	14"	20"	10.75"	SAE#6 (3/8" NPT Available)	1"	9425	14
PCC2008-ORB	8"	1-1/4"	16"	24"	12.75"	SAE#6 (3/8" NPT Available)	1"	9425	15
PCC2010-ORB	10"	1-1/4"	18"	28"	14.75"	SAE#6 (3/8" NPT Available)	1"	9425	15
PCC2012-ORB	12"	1-1/4"	20"	32"	16.75"	SAE#6 (3/8" NPT Available)	1"	9425	16
PCC2014-ORB	14"	1-1/4"	22"	36"	18.75"	SAE#6 (3/8" NPT Available)	1"	9425	17
PCC2016-ORB	16"	1-1/4"	24"	40"	20.75"	SAE#6 (3/8" NPT Available)	1"	9425	22
PCC2018-ORB	18"	1-1/4"	26"	44"	22.75"	SAE#6 (3/8" NPT Available)	1"	9425	22
PCC2020-ORB	20"	1-1/4"	28"	48"	24.75"	SAE#6 (3/8" NPT Available)	1"	9425	23
PCC2024-ORB	24"	1-1/4"	32"	56"	28.75"	SAE#6 (3/8" NPT Available)	1"	9425	28
PCC2028-ORB	28"	1-1/4"	36"	64"	32.75"	SAE#6 (3/8" NPT Available)	1"	9425	31
PCC2030-ORB	30"	1-1/4"	38"	68"	34.75"	SAE#6 (3/8" NPT Available)	1"	9425	34
PCC2032-ORB	32"	1-1/4"	40"	72"	36.75"	SAE#6 (3/8" NPT Available)	1"	9425	36
PCC2036-ORB	36"	1-1/4"	44"	80"	40.75"	SAE#6 (3/8" NPT Available)	1"	9425	39
PCC2040-ORB	40"	1-1/4"	48"	88"	44.75"	SAE#6 (3/8" NPT Available)	1"	9425	40
PCC2048-ORB	48"	1-1/4"	56"	104"	52.75"	SAE#6 (3/8" NPT Available)	1"	9425	50

2.500" BORE

3000 PSI WP

PCC2504-ORB	4"	1-1/2"	12"	16"	8.75"	SAE#8 (1/2" NPT Available)	1"	14 726	17
PCC2506-ORB	6"	1-1/2"	14"	20"	10.75"	SAE#8 (1/2" NPT Available)	1"	14 726	18
PCC2508-ORB	8"	1-1/2"	16"	24"	12.75"	SAE#8 (1/2" NPT Available)	1"	14 726	19
PCC2510-ORB	10"	1-1/2"	18"	28"	14.75"	SAE#8 (1/2" NPT Available)	1"	14 726	22
PCC2512-ORB	12"	1-1/2"	20"	32"	16.75"	SAE#8 (1/2" NPT Available)	1"	14 726	24
PCC2514-ORB	14"	1-1/2"	22"	36"	18.75"	SAE#8 (1/2" NPT Available)	1"	14 726	26
PCC2516-ORB	16"	1-1/2"	24"	40"	20.75"	SAE#8 (1/2" NPT Available)	1"	14 726	30
PCC2518-ORB	18"	1-1/2"	26"	44"	22.75"	SAE#8 (1/2" NPT Available)	1"	14 726	31
PCC2520-ORB	20"	1-1/2"	28"	48"	24.75"	SAE#8 (1/2" NPT Available)	1"	14 726	32
PCC2524-ORB	24"	1-1/2"	32"	56"	28.75"	SAE#8 (1/2" NPT Available)	1"	14 726	37
PCC2528-ORB	28"	1-1/2"	36"	64"	32.75"	SAE#8 (1/2" NPT Available)	1"	14 726	42
PCC2530-ORB	30"	1-1/2"	38"	68"	34.75"	SAE#8 (1/2" NPT Available)	1"	14 726	44
PCC2532-ORB	32"	1-1/2"	40"	72"	36.75"	SAE#8 (1/2" NPT Available)	1"	14 726	46
PCC2536-ORB	36"	1-1/2"	44"	80"	40.75"	SAE#8 (1/2" NPT Available)	1"	14 726	50
PCC2540-ORB	40"	1-1/2"	48"	88"	44.75"	SAE#8 (1/2" NPT Available)	1"	14 726	55
PCC2548-ORB	48"	1-1/2"	56"	104"	52.75"	SAE#8 (1/2" NPT Available)	1"	14 726	62

ALL PRODUCT SPECIFICATIONS ARE SUBJECT TO CHANGE WITHOUT PRIOR NOTICE. ALL NUMBERS GIVEN ARE NOMINAL VALUES AND SHOULD BE USED FOR REFERENCE ONLY.



3.000" BORE 3000 PSI WP

PART No.	STROKE	ROD Ø	RETRACTED	EXTRACTED	E	PORT	PIN	MAX FORCE LBS	WEIGHT (LBS)
PCC3004-ORB	4"	1-1/2"	12"	16"	8.87"	SAE#8 (1/2" NPT Available)	1"	21 205	24
PCC3006-ORB	6"	1-1/2"	14"	20"	10.87"	SAE#8 (1/2" NPT Available)	1"	21 205	25
PCC3008-ORB	8"	1-1/2"	16"	24"	12.87"	SAE#8 (1/2" NPT Available)	1"	21 205	26
PCC3010-ORB	10"	1-1/2"	18"	28"	14.87"	SAE#8 (1/2" NPT Available)	1"	21 205	28
PCC3012-ORB	12"	1-1/2"	20"	32"	16.87"	SAE#8 (1/2" NPT Available)	1"	21 205	29
PCC3014-ORB	14"	1-1/2"	22"	36"	18.87"	SAE#8 (1/2" NPT Available)	1"	21 205	31
PCC3016-ORB	16"	1-1/2"	24"	40"	20.87"	SAE#8 (1/2" NPT Available)	1"	21 205	32
PCC3018-ORB	18"	1-1/2"	26"	44"	22.87"	SAE#8 (1/2" NPT Available)	1"	21 205	36
PCC3020-ORB	20"	1-1/2"	28"	48"	24.87"	SAE#8 (1/2" NPT Available)	1"	21 205	39
PCC3024-ORB	24"	1-1/2"	32"	56"	28.87"	SAE#8 (1/2" NPT Available)	1"	21 205	42
PCC3028-ORB	28"	1-1/2"	36"	64"	32.87"	SAE#8 (1/2" NPT Available)	1"	21 205	48
PCC3030-ORB	30"	1-1/2"	38"	68"	34.87"	SAE#8 (1/2" NPT Available)	1"	21 205	52
PCC3032-ORB	32"	1-1/2"	40"	72"	36.87"	SAE#8 (1/2" NPT Available)	1"	21 205	56
PCC3036-ORB	36"	1-1/2"	44"	80"	40.87"	SAE#8 (1/2" NPT Available)	1"	21 205	60
PCC3040-ORB	40"	1-1/2"	48"	88"	44.87"	SAE#8 (1/2" NPT Available)	1"	21 205	65
PCC3048-ORB	48"	1-1/2"	56"	104"	52.87"	SAE#8 (1/2" NPT Available)	1"	21 205	71

3.500" BORE 3000 PSI WP

PCC3504-ORB	4"	1-3/4"	14"	18"	8.87"	SAE#8 (1/2" NPT Available)	1-1/4"	28 863	28
PCC3506-ORB	6"	1-3/4"	16"	22"	10.87"	SAE#8 (1/2" NPT Available)	1-1/4"	28 863	31
PCC3508-ORB	8"	1-3/4"	18"	26"	12.87"	SAE#8 (1/2" NPT Available)	1-1/4"	28 863	33
PCC3510-ORB	10"	1-3/4"	20"	30"	14.87"	SAE#8 (1/2" NPT Available)	1-1/4"	28 863	36
PCC3512-ORB	12"	1-3/4"	22"	34"	16.87"	SAE#8 (1/2" NPT Available)	1-1/4"	28 863	39
PCC3514-ORB	14"	1-3/4"	24"	38"	18.87"	SAE#8 (1/2" NPT Available)	1-1/4"	28 863	41
PCC3516-ORB	16"	1-3/4"	26"	42"	20.87"	SAE#8 (1/2" NPT Available)	1-1/4"	28 863	45
PCC3518-ORB	18"	1-3/4"	28"	46"	22.87"	SAE#8 (1/2" NPT Available)	1-1/4"	28 863	48
PCC3520-ORB	20"	1-3/4"	30"	50"	24.87"	SAE#8 (1/2" NPT Available)	1-1/4"	28 863	51
PCC3524-ORB	24"	1-3/4"	34"	58"	28.87"	SAE#8 (1/2" NPT Available)	1-1/4"	28 863	56
PCC3528-ORB	28"	1-3/4"	38"	66"	32.87"	SAE#8 (1/2" NPT Available)	1-1/4"	28 863	60
PCC3530-ORB	30"	1-3/4"	40"	70"	34.87"	SAE#8 (1/2" NPT Available)	1-1/4"	28 863	64
PCC3532-ORB	32"	1-3/4"	42"	74"	36.87"	SAE#8 (1/2" NPT Available)	1-1/4"	28 863	68
PCC3536-ORB	36"	1-3/4"	46"	82"	40.87"	SAE#8 (1/2" NPT Available)	1-1/4"	28 863	77
PCC3540-ORB	40"	1-3/4"	50"	90"	44.87"	SAE#8 (1/2" NPT Available)	1-1/4"	28 863	81
PCC3548-ORB	48"	1-3/4"	58"	106"	52.87"	SAE#8 (1/2" NPT Available)	1-1/4"	28 863	85

ALL PRODUCT SPECIFICATIONS ARE SUBJECT TO CHANGE WITHOUT PRIOR NOTICE. ALL NUMBERS GIVEN ARE NOMINAL VALUES AND SHOULD BE USED FOR REFERENCE ONLY.

PCC



DOUBLE ACTING HYDRAULIC CYLINDER - CROSSTUBE

4.000" BORE

3000 PSI WP

PART No.	STROKE	ROD Ø	RETRACTED	EXTRACTED	E	PORT	PIN	MAX FORCE LBS	WEIGHT (LBS)
PCC4004-ORB	4"	2"	14"	18"	9.00"	SAE#8 (1/2" NPT Available)	1-1/2"	37 700	35
PCC4006-ORB	6"	2"	16"	22"	11.00"	SAE#8 (1/2" NPT Available)	1-1/2"	37 700	38
PCC4008-ORB	8"	2"	18"	26"	13.00"	SAE#8 (1/2" NPT Available)	1-1/2"	37 700	41
PCC4010-ORB	10"	2"	20"	30"	15.00"	SAE#8 (1/2" NPT Available)	1-1/2"	37 700	45
PCC4012-ORB	12"	2"	22"	34"	17.00"	SAE#8 (1/2" NPT Available)	1-1/2"	37 700	48
PCC4014-ORB	14"	2"	24"	38"	19.00"	SAE#8 (1/2" NPT Available)	1-1/2"	37 700	52
PCC4016-ORB	16"	2"	26"	42"	21.00"	SAE#8 (1/2" NPT Available)	1-1/2"	37 700	55
PCC4018-ORB	18"	2"	28"	46"	23.00"	SAE#8 (1/2" NPT Available)	1-1/2"	37 700	59
PCC4020-ORB	20"	2"	30"	50"	25.00"	SAE#8 (1/2" NPT Available)	1-1/2"	37 700	63
PCC4024-ORB	24"	2"	34"	58"	29.00"	SAE#8 (1/2" NPT Available)	1-1/2"	37 700	68
PCC4028-ORB	28"	2"	38"	66"	33.00"	SAE#8 (1/2" NPT Available)	1-1/2"	37 700	77
PCC4030-ORB	30"	2"	40"	70"	35.00"	SAE#8 (1/2" NPT Available)	1-1/2"	37 700	81
PCC4032-ORB	32"	2"	42"	74"	37.00"	SAE#8 (1/2" NPT Available)	1-1/2"	37 700	84
PCC4036-ORB	36"	2"	46"	82"	41.00"	SAE#8 (1/2" NPT Available)	1-1/2"	37 700	92
PCC4040-ORB	40"	2"	50"	90"	45.00"	SAE#8 (1/2" NPT Available)	1-1/2"	37 700	99
PCC4048-ORB	48"	2"	58"	106"	53.00"	SAE#8 (1/2" NPT Available)	1-1/2"	37 700	114

5.000" BORE

3000 PSI WP

PCC5004-ORB	4"	2-1/2"	16"	20"	10.87"	SAE#8 (1/2" NPT Available)	1-3/4"	58 905	63
PCC5006-ORB	6"	2-1/2"	18"	24"	12.87"	SAE#8 (1/2" NPT Available)	1-3/4"	58 905	67
PCC5008-ORB	8"	2-1/2"	20"	28"	14.87"	SAE#8 (1/2" NPT Available)	1-3/4"	58 905	71
PCC5010-ORB	10"	2-1/2"	22"	32"	16.87"	SAE#8 (1/2" NPT Available)	1-3/4"	58 905	76
PCC5012-ORB	12"	2-1/2"	24"	36"	18.87"	SAE#8 (1/2" NPT Available)	1-3/4"	58 905	80
PCC5014-ORB	14"	2-1/2"	26"	40"	20.87"	SAE#8 (1/2" NPT Available)	1-3/4"	58 905	81
PCC5016-ORB	16"	2-1/2"	28"	44"	22.87"	SAE#8 (1/2" NPT Available)	1-3/4"	58 905	89
PCC5018-ORB	18"	2-1/2"	30"	48"	24.87"	SAE#8 (1/2" NPT Available)	1-3/4"	58 905	93
PCC5020-ORB	20"	2-1/2"	32"	52"	26.87"	SAE#8 (1/2" NPT Available)	1-3/4"	58 905	98
PCC5024-ORB	24"	2-1/2"	36"	60"	30.87"	SAE#8 (1/2" NPT Available)	1-3/4"	58 905	106
PCC5028-ORB	28"	2-1/2"	40"	68"	34.87"	SAE#8 (1/2" NPT Available)	1-3/4"	58 905	115
PCC5030-ORB	30"	2-1/2"	42"	72"	36.87"	SAE#8 (1/2" NPT Available)	1-3/4"	58 905	120
PCC5032-ORB	32"	2-1/2"	44"	76"	38.87"	SAE#8 (1/2" NPT Available)	1-3/4"	58 905	124
PCC5036-ORB	36"	2-1/2"	48"	84"	42.87"	SAE#8 (1/2" NPT Available)	1-3/4"	58 905	133
PCC5040-ORB	40"	2-1/2"	52"	92"	46.87"	SAE#8 (1/2" NPT Available)	1-3/4"	58 905	142
PCC5048-ORB	48"	2-1/2"	60"	108"	54.87"	SAE#8 (1/2" NPT Available)	1-3/4"	58 905	159



ALL PRODUCT SPECIFICATIONS ARE SUBJECT TO CHANGE WITHOUT PRIOR NOTICE
ALL NUMBERS GIVEN ARE NOMINAL VALUES AND SHOULD BE USED FOR REFERENCE ONLY

END CAP

With two (2) ports 90° to each other for greater flexibility of assembly.

**2500
PSI**
Working Pressure

SEALS

Top Quality Seals

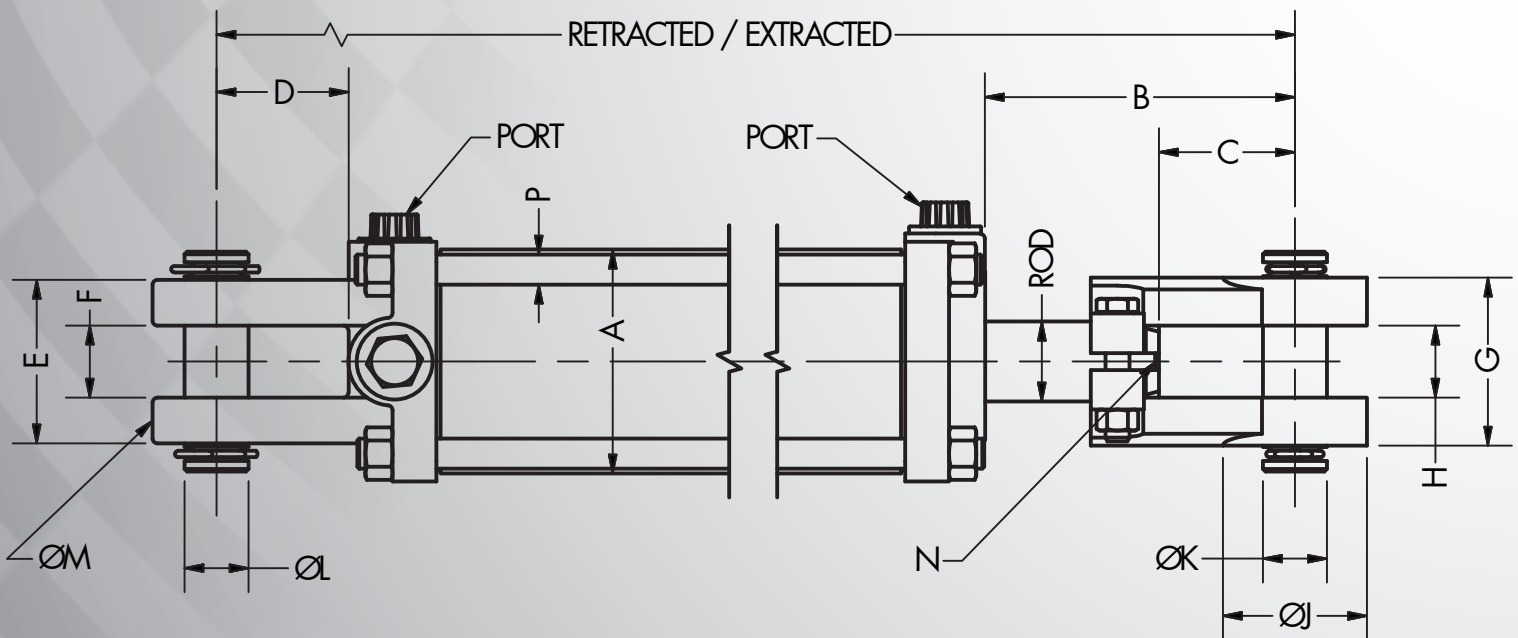
PCT

STEEL TIE-ROD

High tensile strength to prevent stretching

TUBE

Precision finished skived and burnished or honed heavy wall steel tubing for extended seal and cylinder life.



ALL PRODUCT SPECIFICATIONS ARE SUBJECT TO CHANGE WITHOUT PRIOR NOTICE
ALL NUMBERS GIVEN ARE NOMINAL VALUES AND SHOULD BE USED FOR REFERENCE ONLY



DOUBLE ACTING TIE-ROD HYDRAULIC CYLINDER

PCT

PREMIUM TIE-ROD CYLINDER

PISTON

Ductile iron precision machined providing a malleable bearing surface for extended cylinder life.

ROD

High tensile steel. Hard chrome plated (0.001" Th.) shaft provides extended cylinder life in harsh applications. Final surface hardness 69-71 Rockwell C. ASTM B117-07a salt spray testing 96 hours.

PORTS

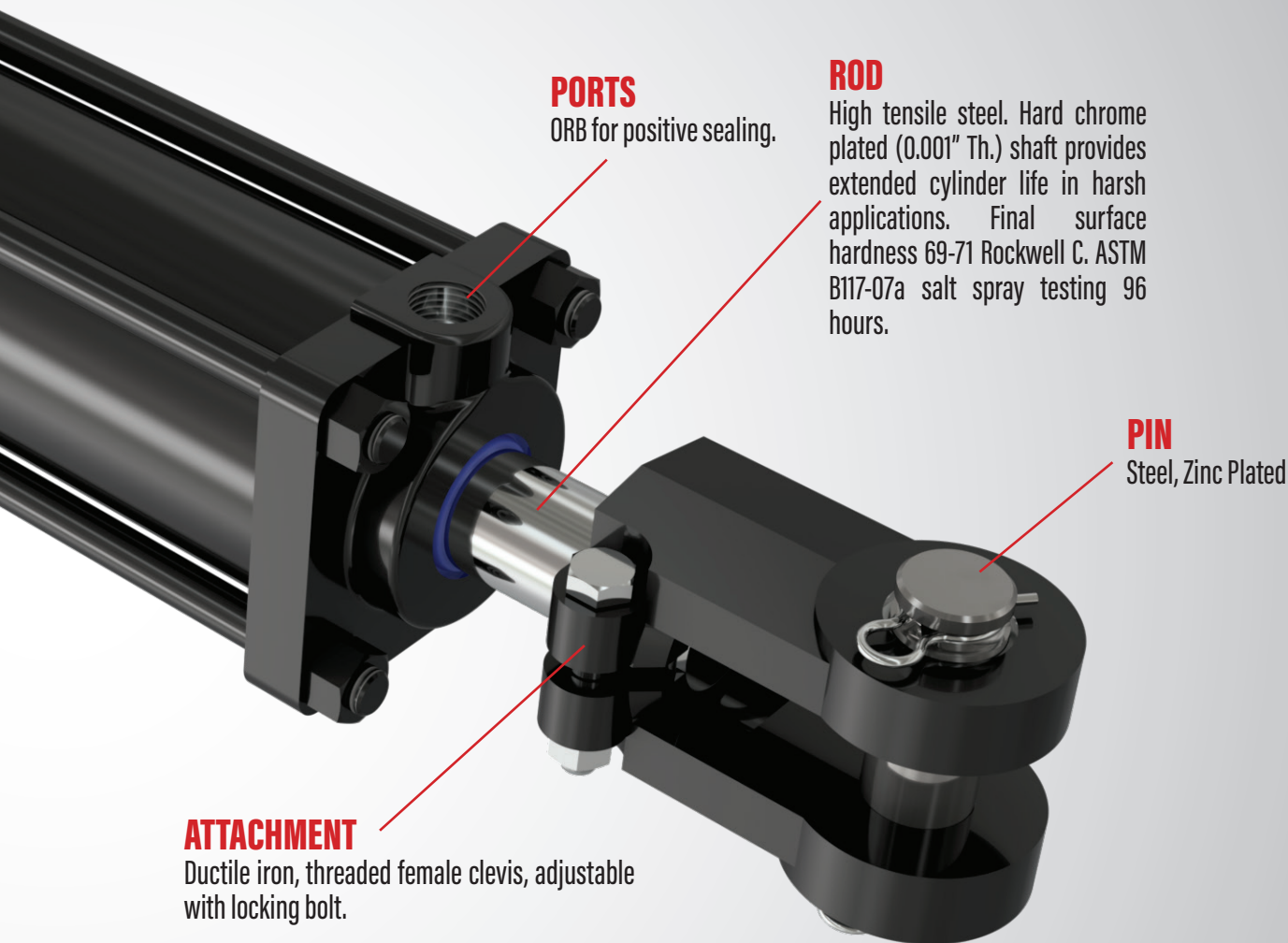
ORB for positive sealing.

PIN

Steel, Zinc Plated

ATTACHMENT

Ductile iron, threaded female clevis, adjustable with locking bolt.



PCT DIMENSIONAL CHART

PART NUMBER	BORE	A	J	M	C	D	F,H	G	E	N	P
PCT20-	2.00"	2.375"	2.000"	2.000"	2.125"	2.06"	1.125"	2.500"	2.375"	1-1/8-12-UNF	M10
PCT25-	2.50"	2.875"	2.000"	2.000"	2.125"	2.06"	1.125"	2.500"	2.500"	1-1/8-12-UNF	M10
PCT30-	3.00"	3.375"	2.250"	2.000"	2.125"	2.06"	1.125"	2.625"	2.500"	1-1/8-12-UNF	M12
PCT35-	3.50"	3.875"	2.250"	2.250"	2.125"	2.06"	1.125"	2.625"	2.500"	1-1/8-12-UNF	M16
PCT40-	4.00"	4.375"	2.250"	2.250"	2.125"	2.06"	1.125"	2.625"	2.625"	1-1/8-12-UNF	M16
PCT50-	5.00"	5.500"	2.500"	3.000"	2.125"	2.25"	1.250"	2.875"	2.875"	1-1/8-12-UNF	M20

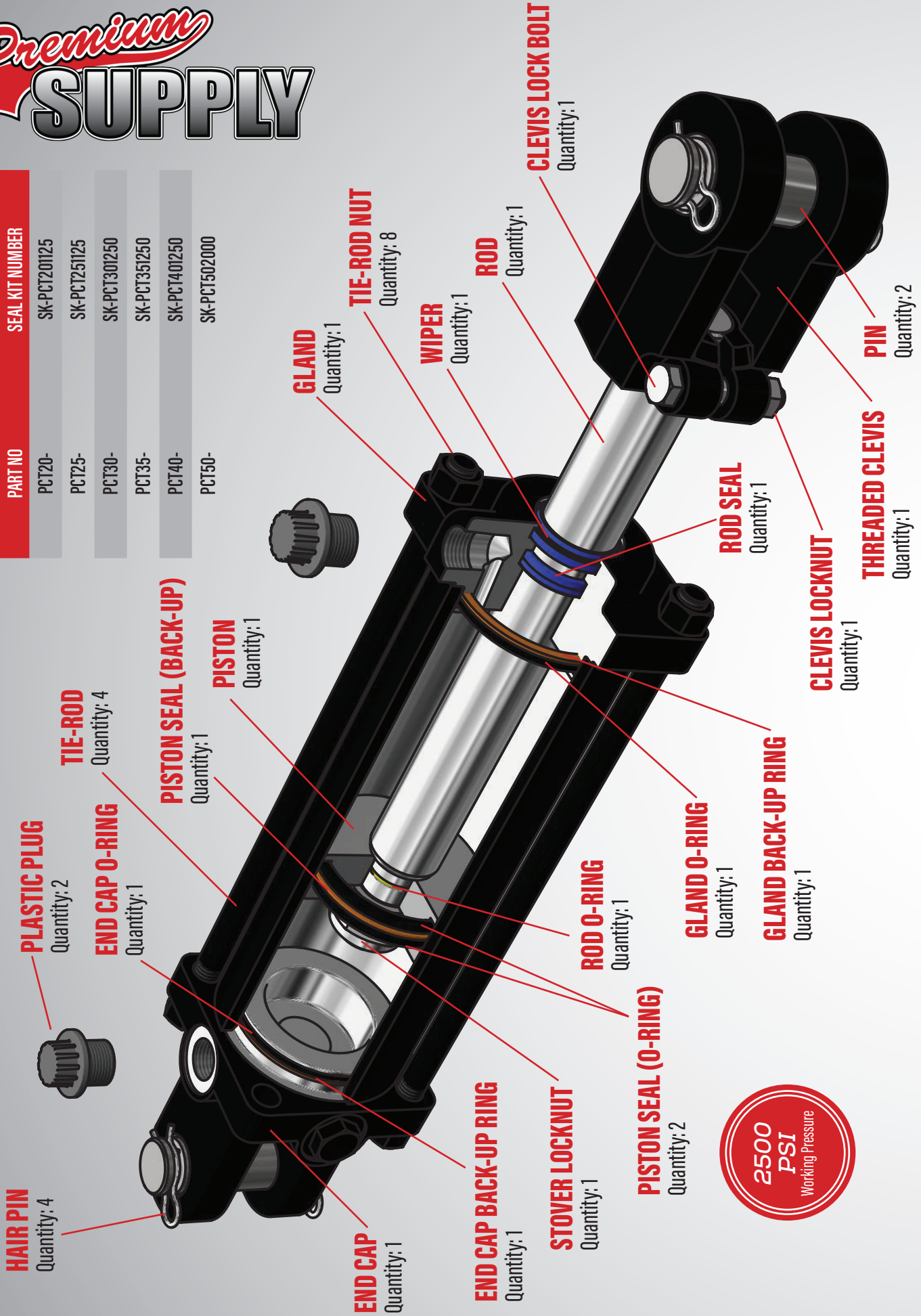


ALL PRODUCT SPECIFICATIONS ARE SUBJECT TO CHANGE WITHOUT PRIOR NOTICE
ALL NUMBERS GIVEN ARE NOMINAL VALUES AND SHOULD BE USED FOR REFERENCE ONLY

ALL PRODUCT SPECIFICATIONS ARE SUBJECT TO CHANGE WITHOUT PRIOR NOTICE. ALL NUMBERS GIVEN ARE NOMINAL VALUES AND SHOULD BE USED FOR REFERENCE ONLY.

PCT - PARTS IDENTIFICATION

SEAL KIT NUMBER	PART NO	SEAL KIT NUMBER
	PCT20-	SK-PCT20125
	PCT25-	SK-PCT25125
	PCT30-	SK-PCT301250
	PCT35-	SK-PCT351250
	PCT40-	SK-PCT401250
	PCT50-	SK-PCT502000





DOUBLE ACTING TIE-ROD HYDRAULIC CYLINDER

2.000" BORE 2500 PSI WP

PART No.	STROKE	ROD Ø	RETRACTED	EXTRACTED	B	PORT	PIN K,L	MAX FORCE LBS	WEIGHT (LBS)
PCT2004-ORB	4"	1-1/8"	14-1/4"	18-1/4"	3.375"	SAE#6 (3/8" NPT Available)	1"	7854	14
PCT2006-ORB	6"	1-1/8"	16-1/4"	22-1/4"	3.375"	SAE#6 (3/8" NPT Available)	1"	7854	16
PCT2008-ORB	8"	1-1/8"	18-1/4"	26-1/4"	3.375"	SAE#6 (3/8" NPT Available)	1"	7854	17
PCT2008-ASAE-ORB	8"	1-1/8"	20-1/4"	28-1/4"	5.375"	SAE#6 (3/8" NPT Available)	1"	7854	18
PCT2010-ORB	10"	1-1/8"	20-1/4"	30-1/4"	3.375"	SAE#6 (3/8" NPT Available)	1"	7854	19
PCT2012-ORB	12"	1-1/8"	22-1/4"	34-1/4"	3.375"	SAE#6 (3/8" NPT Available)	1"	7854	20
PCT2014-ORB	14"	1-1/8"	24-1/4"	38-1/4"	3.375"	SAE#6 (3/8" NPT Available)	1"	7854	22
PCT2016-ORB	16"	1-1/8"	26-1/4"	42-1/4"	3.375"	SAE#6 (3/8" NPT Available)	1"	7854	24
PCT2018-ORB	18"	1-1/8"	28-1/4"	46-1/4"	3.375"	SAE#6 (3/8" NPT Available)	1"	7854	26
PCT2020-ORB	20"	1-1/8"	30-1/4"	50-1/4"	3.375"	SAE#6 (3/8" NPT Available)	1"	7854	27
PCT2024-ORB	24"	1-1/8"	34-1/4"	58-1/4"	3.375"	SAE#6 (3/8" NPT Available)	1"	7854	30
PCT2030-ORB	30"	1-1/8"	40-1/4"	70-1/4"	3.375"	SAE#6 (3/8" NPT Available)	1"	7854	35
PCT2036-ORB	36"	1-1/8"	46-1/4"	82-1/4"	3.375"	SAE#6 (3/8" NPT Available)	1"	7854	40
PCT2040-ORB	40"	1-1/8"	50-1/4"	90-1/4"	3.375"	SAE#6 (3/8" NPT Available)	1"	7854	
PCT2048-ORB	48"	1-1/8"	58-1/4"	106-1/4"	3.375"	SAE#6 (3/8" NPT Available)	1"	7854	

2.500" BORE 2500 PSI WP

PCT2504-ORB	4"	1-1/8"	14-1/4"	18-1/4"	3.375"	SAE#6 (3/8" NPT Available)	1"	12 272	16
PCT2506-ORB	6"	1-1/8"	16-1/4"	22-1/4"	3.375"	SAE#6 (3/8" NPT Available)	1"	12 272	18
PCT2508-ORB-P	8"	1-1/8"	18-1/4"	26-1/4"	3.375"	SAE#6 (3/8" NPT Available)	1"	12 272	19
PCT2508-ASAE-ORB	8"	1-1/8"	20-1/4"	28-1/4"	5.375"	SAE#6 (3/8" NPT Available)	1"	12 272	20
PCT2510-ORB	10"	1-1/8"	20-1/4"	30-1/4"	3.375"	SAE#6 (3/8" NPT Available)	1"	12 272	21
PCT2512-ORB	12"	1-1/8"	22-1/4"	34-1/4"	3.375"	SAE#6 (3/8" NPT Available)	1"	12 272	23
PCT2514-ORB	14"	1-1/8"	24-1/4"	38-1/4"	3.375"	SAE#6 (3/8" NPT Available)	1"	12 272	25
PCT2516-ORB	16"	1-1/8"	26-1/4"	42-1/4"	3.375"	SAE#6 (3/8" NPT Available)	1"	12 272	27
PCT2518-ORB	18"	1-1/8"	28-1/4"	46-1/4"	3.375"	SAE#6 (3/8" NPT Available)	1"	12 272	28
PCT2520-ORB	20"	1-1/8"	30-1/4"	50-1/4"	3.375"	SAE#6 (3/8" NPT Available)	1"	12 272	30
PCT2524-ORB	24"	1-1/8"	34-1/4"	58-1/4"	3.375"	SAE#6 (3/8" NPT Available)	1"	12 272	34
PCT2530-ORB	30"	1-1/4"	40-1/4"	70-1/4"	3.375"	SAE#6 (3/8" NPT Available)	1"	12 272	45
PCT2536-ORB	36"	1-1/4"	46-1/4"	82-1/4"	3.375"	SAE#6 (3/8" NPT Available)	1"	12 272	56
PCT2540-ORB	40"	1-1/4"	50-1/4"	90-1/4"	3.375"	SAE#6 (3/8" NPT Available)	1"	12 272	
PCT2548-ORB	48"	1-1/4"	58-1/4"	106-1/4"	3.375"	SAE#6 (3/8" NPT Available)	1"	12 272	



ALL PRODUCT SPECIFICATIONS ARE SUBJECT TO CHANGE WITHOUT PRIOR NOTICE
ALL NUMBERS GIVEN ARE NOMINAL VALUES AND SHOULD BE USED FOR REFERENCE ONLY



3.000" BORE 2500 PSI WP

PART No.	STROKE	ROD Ø	RETRACTED	EXTRACTED	B	PORT	PIN K,L	MAX FORCE LBS	WEIGHT (LBS)
PCT3004-ORB	4"	1-1/4"	14-1/4"	18-1/4"	3.375"	SAE#8 (1/2" NPT Available)	1"	17 672	22
PCT3006-ORB	6"	1-1/4"	16-1/4"	22-1/4"	3.375"	SAE#8 (1/2" NPT Available)	1"	17 672	24
PCT3008-ORB	8"	1-1/4"	18-1/4"	26-1/4"	3.375"	SAE#8 (1/2" NPT Available)	1"	17 672	26
PCT3008-ASAE-ORB	8"	1-1/4"	20-1/4"	28-1/4"	5.375"	SAE#8 (1/2" NPT Available)	1"	17 672	27
PCT3010-ORB	10"	1-1/4"	20-1/4"	30-1/4"	3.375"	SAE#8 (1/2" NPT Available)	1"	17 672	28
PCT3012-ORB	12"	1-1/4"	22-1/4"	34-1/4"	3.375"	SAE#8 (1/2" NPT Available)	1"	17 672	30
PCT3014-ORB	14"	1-1/4"	24-1/4"	38-1/4"	3.375"	SAE#8 (1/2" NPT Available)	1"	17 672	33
PCT3016-ORB	16"	1-1/4"	26-1/4"	42-1/4"	3.375"	SAE#8 (1/2" NPT Available)	1"	17 672	35
PCT3016-ASAE-ORB	16"	1-1/4"	31-1/2"	47-1/2"	8.625"	SAE#8 (1/2" NPT Available)	1-1/4"	17 672	38
PCT3018-ORB	18"	1-1/4"	28-1/4"	46-1/4"	3.375"	SAE#8 (1/2" NPT Available)	1"	17 672	37
PCT3020-ORB	20"	1-1/4"	30-1/4"	50-1/4"	3.375"	SAE#8 (1/2" NPT Available)	1"	17 672	39
PCT3024-ORB	24"	1-1/2"	34-1/4"	58-1/4"	3.375"	SAE#8 (1/2" NPT Available)	1"	17 672	43
PCT3030-ORB	30"	1-1/2"	40-1/4"	70-1/4"	3.375"	SAE#8 (1/2" NPT Available)	1"	17 672	59
PCT3036-ORB	36"	1-1/2"	46-1/4"	82-1/4"	3.375"	SAE#8 (1/2" NPT Available)	1"	17 672	68
PCT3040-ORB	40"	1-1/2"	50-1/4"	90-1/4"	3.375"	SAE#8 (1/2" NPT Available)	1"	17 672	
PCT3048-ORB	48"	1-1/2"	58-1/4"	106-1/4"	3.375"	SAE#8 (1/2" NPT Available)	1"	17 672	

3.500" BORE 2500 PSI WP

PCT3504-ORB	4"	1-1/4"	14-1/4"	18-1/4"	3.500"	SAE#8 (1/2" NPT Available)	1"	24 053	22
PCT3506-ORB	6"	1-1/4"	16-1/4"	22-1/4"	3.500"	SAE#8 (1/2" NPT Available)	1"	24 053	26
PCT3508-ORB	8"	1-1/4"	18-1/4"	26-1/4"	3.500"	SAE#8 (1/2" NPT Available)	1"	24 053	28
PCT3508-ASAE-ORB	8"	1-1/4"	20-1/4"	28-1/4"	5.500"	SAE#8 (1/2" NPT Available)	1"	24 053	29
PCT3510-ORB	10"	1-1/4"	20-1/4"	30-1/4"	3.500"	SAE#8 (1/2" NPT Available)	1"	24 053	30
PCT3512-ORB	12"	1-1/4"	22-1/4"	34-1/4"	3.500"	SAE#8 (1/2" NPT Available)	1"	24 053	33
PCT3514-ORB	14"	1-1/4"	24-1/4"	38-1/4"	3.500"	SAE#8 (1/2" NPT Available)	1"	24 053	35
PCT3516-ORB	16"	1-1/4"	26-1/4"	42-1/4"	3.500"	SAE#8 (1/2" NPT Available)	1"	24 053	37
PCT3516-ASAE-ORB	16"	1-1/2"	31-1/2"	47-1/2"	8.800"	SAE#8 (1/2" NPT Available)	1-1/4"	24 053	39
PCT3518-ORB	18"	1-1/4"	28-1/4"	46-1/4"	3.500"	SAE#8 (1/2" NPT Available)	1"	24 053	40
PCT3520-ORB	20"	1-1/4"	30-1/4"	50-1/4"	3.500"	SAE#8 (1/2" NPT Available)	1"	24 053	42
PCT3524-ORB	24"	1-1/2"	34-1/4"	58-1/4"	3.500"	SAE#8 (1/2" NPT Available)	1"	24 053	51
PCT3530-ORB	30"	1-1/2"	40-1/4"	70-1/4"	3.500"	SAE#8 (1/2" NPT Available)	1"	24 053	59
PCT3536-ORB	36"	1-1/2"	46-1/4"	82-1/4"	3.500"	SAE#8 (1/2" NPT Available)	1"	24 053	68
PCT3540-ORB	40"	1-1/2"	50-1/4"	90-1/4"	3.500"	SAE#8 (1/2" NPT Available)	1"	24 053	
PCT3548-ORB	48"	1-1/2"	58-1/4"	106-1/4"	3.500"	SAE#8 (1/2" NPT Available)	1"	24 053	

ALL PRODUCT SPECIFICATIONS ARE SUBJECT TO CHANGE WITHOUT PRIOR NOTICE
ALL NUMBERS GIVEN ARE NOMINAL VALUES AND SHOULD BE USED FOR REFERENCE ONLY

PCT



DOUBLE ACTING TIE-ROD HYDRAULIC CYLINDER

4.000" BORE 2500 PSI WP

PART No.	STROKE	ROD Ø	RETRACTED	EXTRACTED	B	PORT	PIN K,L	MAX FORCE LBS	WEIGHT (LBS)
PCT4004-ORB	4"	1-1/4"	14-1/4"	18-1/4"	3.375"	SAE#8 (1/2" NPT Available)	1"	31 416	30
PCT4006-ORB	6"	1-1/4"	16-1/4"	22-1/4"	3.375"	SAE#8 (1/2" NPT Available)	1"	31 416	33
PCT4008-ORB	8"	1-1/4"	18-1/4"	26-1/4"	3.375"	SAE#8 (1/2" NPT Available)	1"	31 416	35
PCT4008-ASAE-ORB	8"	1-1/4"	20-1/4"	28-1/4"	5.375"	SAE#8 (1/2" NPT Available)	1"	31 416	36
PCT4010-ORB	10"	1-1/4"	20-1/4"	30-1/4"	3.375"	SAE#8 (1/2" NPT Available)	1"	31 416	37
PCT4012-ORB	12"	1-1/4"	22-1/4"	34-1/4"	3.375"	SAE#8 (1/2" NPT Available)	1"	31 416	40
PCT4014-ORB	14"	1-1/4"	24-1/4"	38-1/4"	3.375"	SAE#8 (1/2" NPT Available)	1"	31 416	42
PCT4016-ORB	16"	1-1/4"	26-1/4"	42-1/4"	3.375"	SAE#8 (1/2" NPT Available)	1"	31 416	48
PCT4016-ASAE-ORB	16"	2"	31-1/2"	47-1/2"	8.625"	SAE#8 (1/2" NPT Available)	1-1/4"	31 416	64
PCT4018-ORB	18"	1-1/2"	28-1/4"	46-1/4"	3.375"	SAE#8 (1/2" NPT Available)	1"	31 416	51
PCT4020-ORB	20"	1-1/2"	30-1/4"	50-1/4"	3.375"	SAE#8 (1/2" NPT Available)	1"	31 416	53
PCT4024-150-ORB	24"	1-1/2"	34-1/4"	58-1/4"	3.375"	SAE#8 (1/2" NPT Available)	1"	31 416	59
PCT4024-175-ORB	24"	1-3/4"	34-1/4"	58-1/4"	3.375"	SAE#8 (1/2" NPT Available)	1"	31 416	64
PCT4024-200-ORB	24"	2"	34-1/4"	58-1/4"	3.375"	SAE#8 (1/2" NPT Available)	1"	31 416	70
PCT4030-ORB	30"	2"	40-1/4"	70-1/4"	3.375"	SAE#8 (1/2" NPT Available)	1"	31 416	87
PCT4036-ORB	36"	2"	46-1/4"	82-1/4"	3.375"	SAE#8 (1/2" NPT Available)	1"	31 416	98
PCT4040-ORB	40"	2"	50-1/4"	90-1/4"	3.375"	SAE#8 (1/2" NPT Available)	1"	31 416	
PCT4048-ORB	48"	2"	58-1/4"	106-1/4"	3.375"	SAE#8 (1/2" NPT Available)	1"	31 416	

5.000" BORE 2500 PSI WP

PCT5004-ORB	4"	1-1/2"	16-1/4"	20-1/4"	3.750"	SAE#8 (1/2" NPT Available)	1"	29 452	53
PCT5006-ORB	6"	1-1/2"	18-1/4"	24-1/4"	3.750"	SAE#8 (1/2" NPT Available)	1"	29 452	55
PCT5008-ORB	8"	1-1/2"	20-1/4"	28-1/4"	3.750"	SAE#8 (1/2" NPT Available)	1"	29 452	64
PCT5008-ASAE-ORB	8"	1-1/2"	22-1/4"	30-1/4"	5.750"	SAE#8 (1/2" NPT Available)	1"	29 452	66
PCT5010-ORB	10"	1-1/2"	22-1/4"	32-1/4"	3.750"	SAE#8 (1/2" NPT Available)	1"	29 452	68
PCT5012-ORB	12"	2"	24-1/4"	36-1/4"	3.750"	SAE#8 (1/2" NPT Available)	1-1/4"	29 452	77
PCT5014-ORB	14"	2"	26-1/4"	40-1/4"	3.750"	SAE#8 (1/2" NPT Available)	1-1/4"	29 452	82
PCT5016-ORB	16"	2"	28-1/4"	44-1/4"	3.750"	SAE#8 (1/2" NPT Available)	1-1/4"	29 452	87
PCT5016-ASAE-ORB	16"	2"	31-1/2"	47-1/2"	7.000"	SAE#8 (1/2" NPT Available)	1-1/4"	29 452	90
PCT5018-ORB	18"	2"	30-1/4"	48-1/4"	3.750"	SAE#8 (1/2" NPT Available)	1-1/4"	29 452	92
PCT5020-ORB	20"	2"	32-1/4"	52-1/4"	3.750"	SAE#8 (1/2" NPT Available)	1-1/4"	29 452	93
PCT5024-ORB	24"	2"	36-1/4"	60-1/4"	3.750"	SAE#8 (1/2" NPT Available)	1-1/4"	29 452	106
PCT5030-ORB	30"	2"	42-1/4"	72-1/4"	3.750"	SAE#8 (1/2" NPT Available)	1-1/4"	29 452	121
PCT5036-ORB	36"	2"	48-1/4"	84-1/4"	3.750"	SAE#8 (1/2" NPT Available)	1-1/4"	29 452	136
PCT5040-ORB	40"	2"	52-1/4"	90-1/4"	3.750"	SAE#8 (1/2" NPT Available)	1-1/4"	29 452	145
PCT5048-ORB	48"	2"	60-1/4"	106-1/4"	3.750"	SAE#8 (1/2" NPT Available)	1-1/4"	29 452	150



ALL PRODUCT SPECIFICATIONS ARE SUBJECT TO CHANGE WITHOUT PRIOR NOTICE
ALL NUMBERS GIVEN ARE NOMINAL VALUES AND SHOULD BE USED FOR REFERENCE ONLY

DURABLE STEEL END MOUNTS

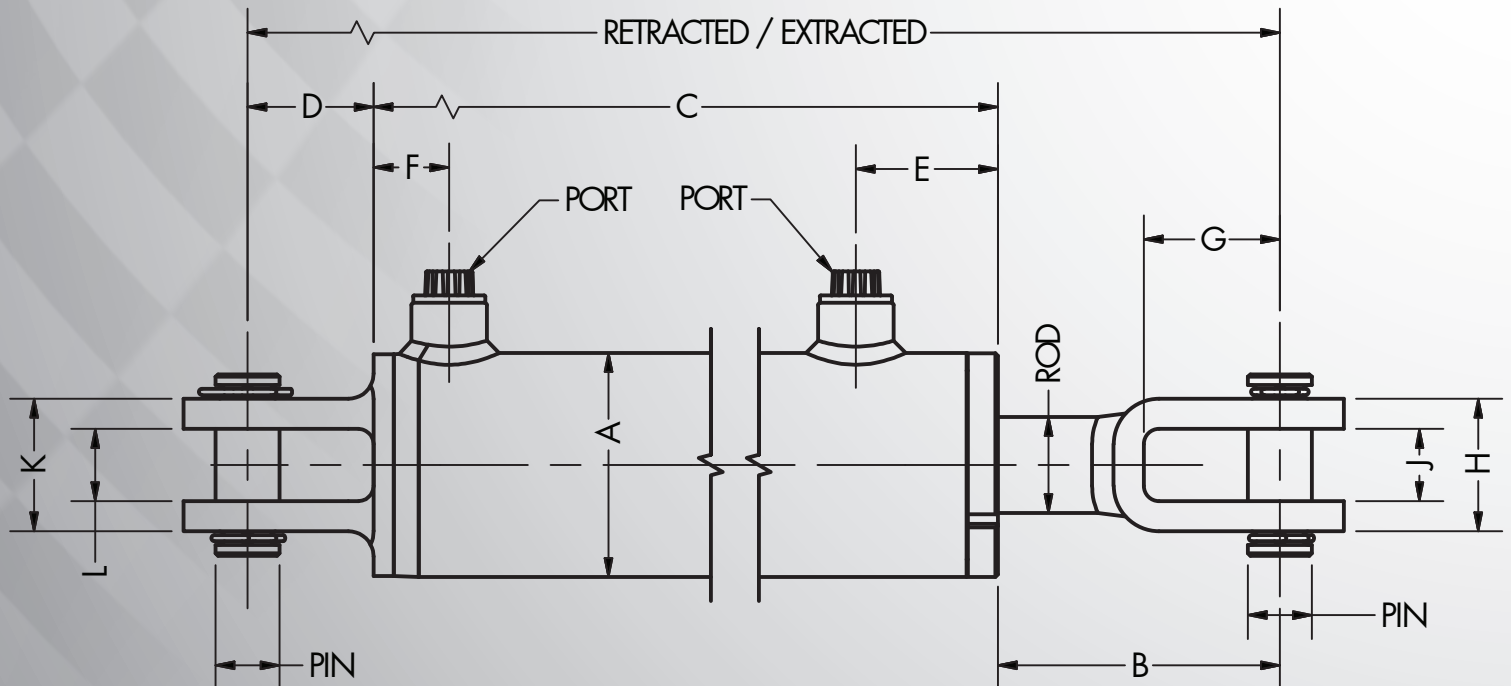
High quality welds to withstand continuous high loads.

**3000
PSI**
Working Pressure

SEALS
Top Quality Seals

TUBE
Precision finished skived and burnished or honed heavy wall steel tubing for extended seal and cylinder life.

PCW



ALL PRODUCT SPECIFICATIONS ARE SUBJECT TO CHANGE WITHOUT PRIOR NOTICE
ALL NUMBERS GIVEN ARE NOMINAL VALUES AND SHOULD BE USED FOR REFERENCE ONLY



DOUBLE ACTING HYDRAULIC CYLINDER - CLEVIS

PISTON

Ductile iron precision machined providing a malleable bearing surface for extended cylinder life.

PCW

PREMIUM CLEVIS WELDED CYLINDER

PORTS

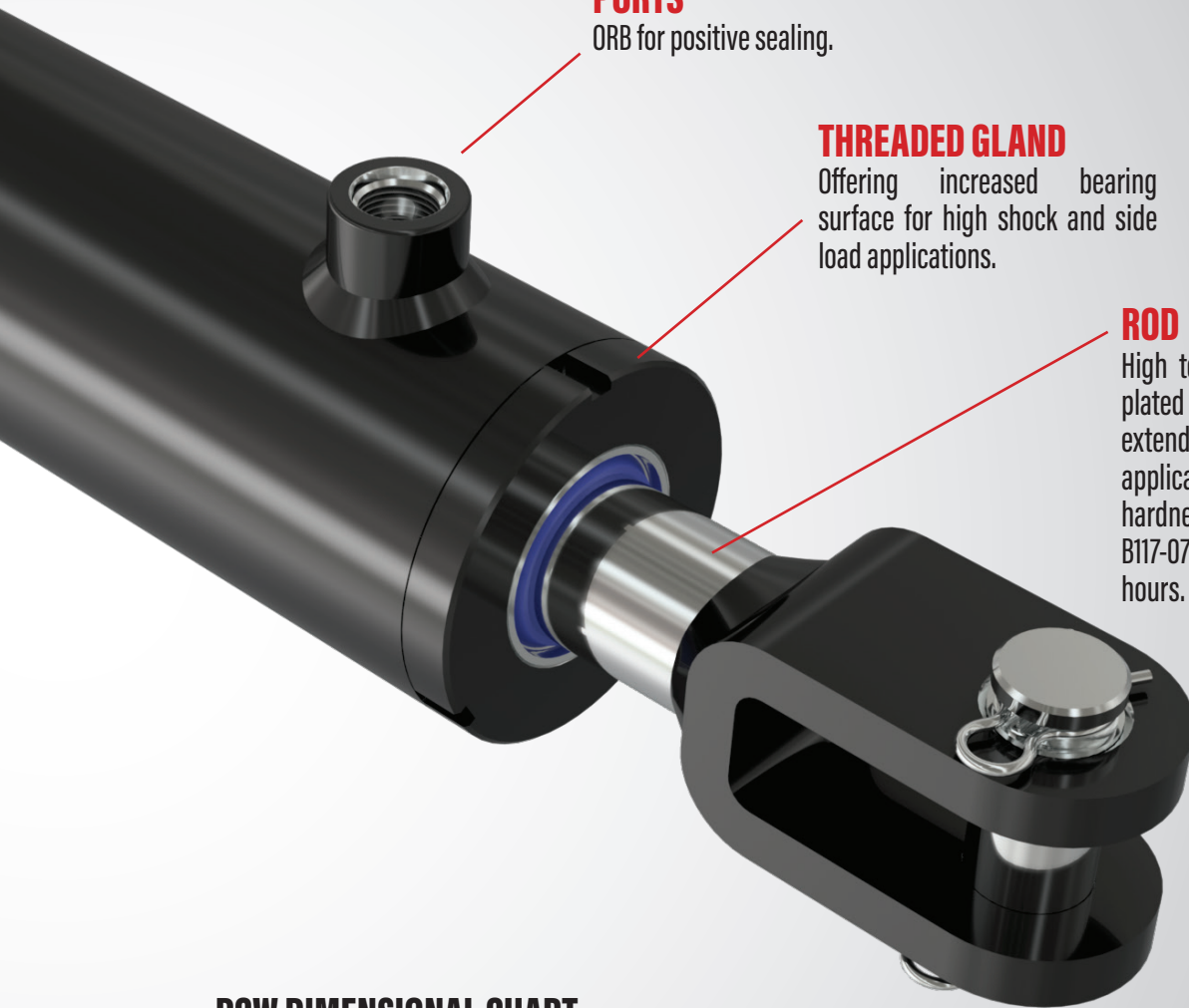
ORB for positive sealing.

THREADED GLAND

Offering increased bearing surface for high shock and side load applications.

ROD

High tensile steel. Hard chrome plated (0.001" Th.) shaft provides extended cylinder life in harsh applications. Final surface hardness 69-71 Rockwell C. ASTM B117-07a salt spray testing 96 hours.



PCW DIMENSIONAL CHART

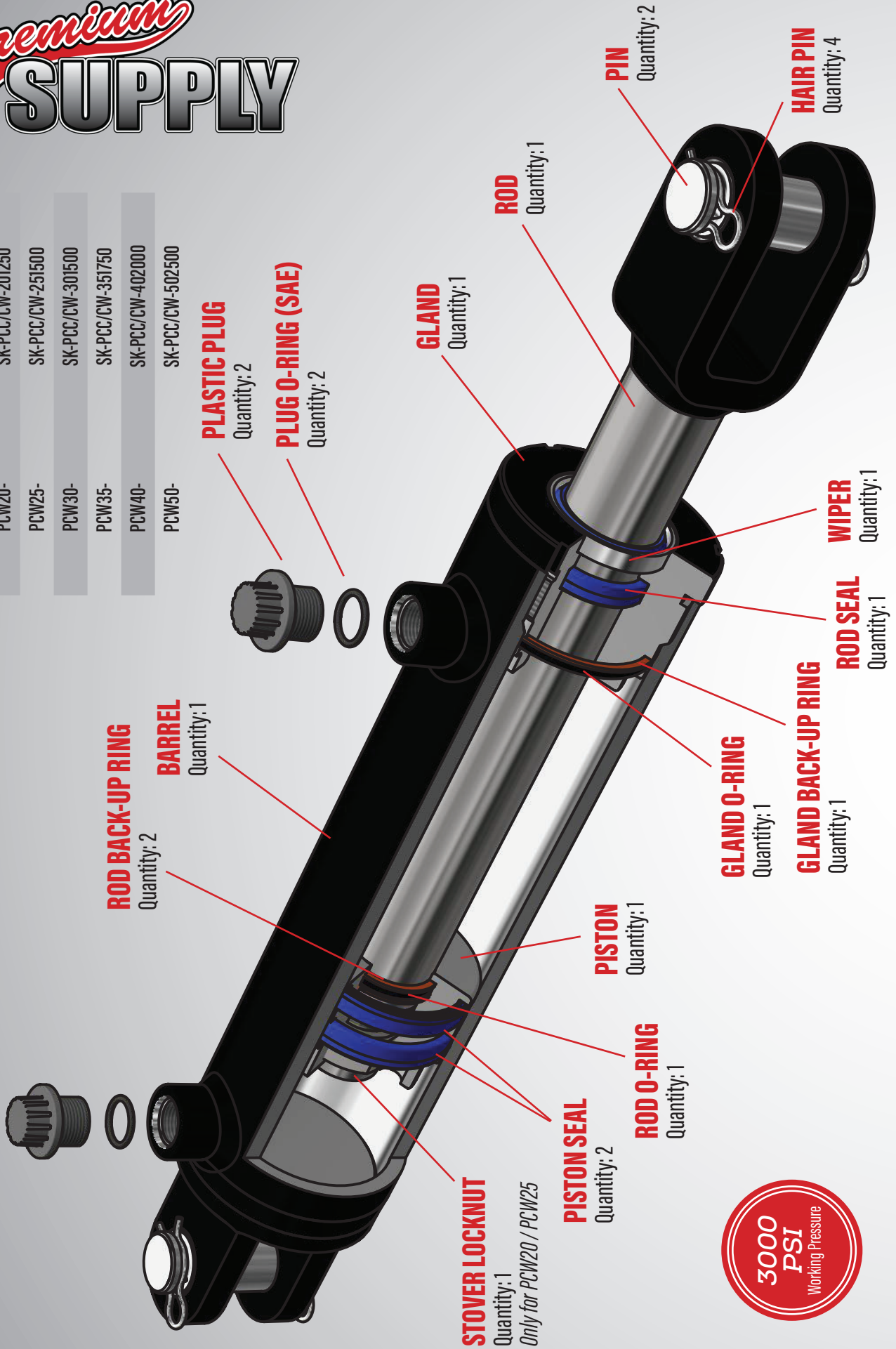
PART NUMBER	BORE	A	B	D	E	F	H	G	J, L	K
PCW20-	2.000"	2.500"	3.37"/5.37" for PCW2008	2.125"	2.187"	1.062"	2.125"	2.125"	1.125"	2.125"
PCW25-	2.500"	3.000"	3.37"/5.37" for PCW2508	2.125"	2.187"	1.062"	2.125"	2.125"	1.125"	2.125"
PCW30-	3.000"	3.500"	3.25"/5.25" for PCW3008	2.125"	2.187"	1.062"	2.125"	2.125"	1.125"	2.125"
PCW35-	3.500"	4.000"	3.37"/5.37" for PCW3508	2.000"[2.125"]	2.187"	1.062"	2.375"	2.125"	1.125"	2.375"
PCW40-	4.000"	4.500"	3.25"/5.25" for PCW4008	2.000"	2.187"	1.125"	2.375"	2.000"	1.125"	2.375"
PCW50-	5.000"	5.500"	3.875"	2.250"	2.750"	1.500"	3.125"	2.000"	1.625"	3.125"

ALL PRODUCT SPECIFICATIONS ARE SUBJECT TO CHANGE WITHOUT PRIOR NOTICE
ALL NUMBERS GIVEN ARE NOMINAL VALUES AND SHOULD BE USED FOR REFERENCE ONLY

PCW - PARTS IDENTIFICATION

ALL PRODUCT SPECIFICATIONS ARE SUBJECT TO CHANGE WITHOUT PRIOR NOTICE.
ALL NUMBERS GIVEN ARE NOMINAL VALUES AND SHOULD BE USED FOR REFERENCE ONLY.

SEAL KIT NUMBER	PART NO	SEAL KIT NUMBER
	PCW20-	SK-PCC/CW-201250
	PCW25-	SK-PCC/CW-251500
	PCW30-	SK-PCC/CW-301500
	PCW35-	SK-PCC/CW-351750
	PCW40-	SK-PCC/CW-402000
	PCW50-	SK-PCC/CW-502500





DOUBLE ACTING HYDRAULIC CYLINDER - CLEVIS

2.000" BORE

3000 PSI WP

PART No.	STROKE	ROD Ø	RETRACTED	EXTRACTED	C	PORT	PIN	MAX FORCE LBS	WEIGHT (LBS)
PCW2004-ORB	4"	1-1/4"	14-1/4"	18-1/4"	8.75"	SAE#6 (3/8" NPT Available)	1"	9 425	14
PCW2006-ORB	6"	1-1/4"	16-1/4"	22-1/4"	10.75"	SAE#6 (3/8" NPT Available)	1"	9 425	15
PCW2008-ORB	8"	1-1/4"	20-1/4"	28-1/4"	12.75"	SAE#6 (3/8" NPT Available)	1"	9 425	17
PCW2010-ORB	10"	1-1/4"	20-1/4"	30-1/4"	14.75"	SAE#6 (3/8" NPT Available)	1"	9 425	17
PCW2012-ORB	12"	1-1/4"	22-1/4"	34-1/4"	16.75"	SAE#6 (3/8" NPT Available)	1"	9 425	19
PCW2014-ORB	14"	1-1/4"	24-1/4"	38-1/4"	18.75"	SAE#6 (3/8" NPT Available)	1"	9 425	21
PCW2016-ORB	16"	1-1/4"	26-1/4"	42-1/4"	20.75"	SAE#6 (3/8" NPT Available)	1"	9 425	23
PCW2018-ORB	18"	1-1/4"	28-1/4"	46-1/4"	22.75"	SAE#6 (3/8" NPT Available)	1"	9 425	24
PCW2020-ORB	20"	1-1/4"	30-1/4"	50-1/4"	24.75"	SAE#6 (3/8" NPT Available)	1"	9 425	26
PCW2024-ORB	24"	1-1/4"	34-1/4"	58-1/4"	28.75"	SAE#6 (3/8" NPT Available)	1"	9 425	28
PCW2028-ORB	28"	1-1/4"	38-1/4"	66-1/4"	32.75"	SAE#6 (3/8" NPT Available)	1"	9 425	34
PCW2030-ORB	30"	1-1/4"	40-1/4"	70-1/4"	34.75"	SAE#6 (3/8" NPT Available)	1"	9 425	35
PCW2032-ORB	32"	1-1/4"	42-1/4"	74-1/4"	36.75"	SAE#6 (3/8" NPT Available)	1"	9 425	36
PCW2034-ORB	34"	1-1/4"	44-1/4"	78-1/4"	38.75"	SAE#6 (3/8" NPT Available)	1"	9 425	39
PCW2036-ORB	36"	1-1/4"	46-1/4"	82-1/4"	40.75"	SAE#6 (3/8" NPT Available)	1"	9 425	40

2.500" BORE

3000 PSI WP

PCW2504-ORB	4"	1-1/2"	14-1/4"	18-1/4"	8.75"	SAE#8 (1/2" NPT Available)	1"	14 726	17
PCW2506-ORB	6"	1-1/2"	16-1/4"	22-1/4"	10.75"	SAE#8 (1/2" NPT Available)	1"	14 726	20
PCW2508-ORB	8"	1-1/2"	20-1/4"	28-1/4"	12.75"	SAE#8 (1/2" NPT Available)	1"	14 726	22
PCW2510-ORB	10"	1-1/2"	20-1/4"	30-1/4"	14.75"	SAE#8 (1/2" NPT Available)	1"	14 726	23
PCW2512-ORB	12"	1-1/2"	22-1/4"	34-1/4"	16.75"	SAE#8 (1/2" NPT Available)	1"	14 726	25
PCW2514-ORB	14"	1-1/2"	24-1/4"	38-1/4"	18.75"	SAE#8 (1/2" NPT Available)	1"	14 726	28
PCW2516-ORB	16"	1-1/2"	26-1/4"	42-1/4"	20.75"	SAE#8 (1/2" NPT Available)	1"	14 726	30
PCW2518-ORB	18"	1-1/2"	28-1/4"	46-1/4"	22.75"	SAE#8 (1/2" NPT Available)	1"	14 726	31
PCW2520-ORB	20"	1-1/2"	30-1/4"	50-1/4"	24.75"	SAE#8 (1/2" NPT Available)	1"	14 726	34
PCW2524-ORB	24"	1-1/2"	34-1/4"	58-1/4"	28.75"	SAE#8 (1/2" NPT Available)	1"	14 726	38
PCW2528-ORB	28"	1-1/2"	38-1/4"	66-1/4"	32.75"	SAE#8 (1/2" NPT Available)	1"	14 726	42
PCW2530-ORB	30"	1-1/2"	40-1/4"	70-1/4"	34.75"	SAE#8 (1/2" NPT Available)	1"	14 726	45
PCW2532-ORB	32"	1-1/2"	42-1/4"	74-1/4"	36.75"	SAE#8 (1/2" NPT Available)	1"	14 726	46
PCW2534-ORB	34"	1-1/2"	44-1/4"	78-1/4"	38.75"	SAE#8 (1/2" NPT Available)	1"	14 726	50
PCW2536-ORB	36"	1-1/2"	46-1/4"	82-1/4"	40.75"	SAE#8 (1/2" NPT Available)	1"	14 726	51



ALL PRODUCT SPECIFICATIONS ARE SUBJECT TO CHANGE WITHOUT PRIOR NOTICE
ALL NUMBERS GIVEN ARE NOMINAL VALUES AND SHOULD BE USED FOR REFERENCE ONLY



3.000" BORE 3000 PSI WP

PART No.	STROKE	ROD Ø	RETRACTED	EXTRACTED	C	PORT	PIN	MAX FORCE LBS	WEIGHT (LBS)
PCW3004-ORB	4"	1-1/2"	14-1/4"	18-1/4"	8.87"	SAE#8 (1/2" NPT Available)	1"	21 205	23
PCW3006-ORB	6"	1-1/2"	16-1/4"	22-1/4"	10.87"	SAE#8 (1/2" NPT Available)	1"	21 205	26
PCW3008-ORB	8"	1-1/2"	20-1/4"	28-1/4"	12.87"	SAE#8 (1/2" NPT Available)	1"	21 205	28
PCW3010-ORB	10"	1-1/2"	20-1/4"	30-1/4"	14.87"	SAE#8 (1/2" NPT Available)	1"	21 205	29
PCW3012-ORB	12"	1-1/2"	22-1/4"	34-1/4"	16.87"	SAE#8 (1/2" NPT Available)	1"	21 205	30
PCW3014-ORB	14"	1-1/2"	24-1/4"	38-1/4"	18.87"	SAE#8 (1/2" NPT Available)	1"	21 205	32
PCW3016-ORB	16"	1-1/2"	26-1/4"	42-1/4"	20.87"	SAE#8 (1/2" NPT Available)	1"	21 205	36
PCW3018-ORB	18"	1-1/2"	28-1/4"	46-1/4"	22.87"	SAE#8 (1/2" NPT Available)	1"	21 205	39
PCW3020-ORB	20"	1-1/2"	30-1/4"	50-1/4"	24.87"	SAE#8 (1/2" NPT Available)	1"	21 205	42
PCW3024-ORB	24"	1-1/2"	34-1/4"	58-1/4"	28.87"	SAE#8 (1/2" NPT Available)	1"	21 205	46
PCW3028-ORB	28"	1-1/2"	38-1/4"	66-1/4"	32.87"	SAE#8 (1/2" NPT Available)	1"	21 205	51
PCW3030-ORB	30"	1-1/2"	40-1/4"	70-1/4"	34.87"	SAE#8 (1/2" NPT Available)	1"	21 205	54
PCW3032-ORB	32"	1-1/2"	42-1/4"	74-1/4"	36.87"	SAE#8 (1/2" NPT Available)	1"	21 205	56
PCW3034-ORB	34"	1-1/2"	44-1/4"	78-1/4"	38.87"	SAE#8 (1/2" NPT Available)	1"	21 205	59
PCW3036-ORB	36"	1-1/2"	46-1/4"	82-1/4"	40.87"	SAE#8 (1/2" NPT Available)	1"	21 205	61

3.500" BORE 3000 PSI WP

PCW3504-ORB	4"	1-3/4"	14-1/4"	18-1/4"	8.87"	SAE#8 (1/2" NPT Available)	1" (1-1/4" Avail.)	28 863	26
PCW3506-ORB	6"	1-3/4"	16-1/4"	22-1/4"	10.87"	SAE#8 (1/2" NPT Available)	1" (1-1/4" Avail.)	28 863	29
PCW3508-ORB	8"	1-3/4"	20-1/4"	28-1/4"	12.87"	SAE#8 (1/2" NPT Available)	1" (1-1/4" Avail.)	28 863	33
PCW3510-ORB	10"	1-3/4"	20-1/4"	30-1/4"	14.87"	SAE#8 (1/2" NPT Available)	1" (1-1/4" Avail.)	28 863	36
PCW3512-ORB	12"	1-3/4"	22-1/4"	34-1/4"	16.87"	SAE#8 (1/2" NPT Available)	1" (1-1/4" Avail.)	28 863	39
PCW3514-ORB	14"	1-3/4"	24-1/4"	38-1/4"	18.87"	SAE#8 (1/2" NPT Available)	1" (1-1/4" Avail.)	28 863	41
PCW3516-ORB	16"	1-3/4"	26-1/4"	42-1/4"	20.87"	SAE#8 (1/2" NPT Available)	1" (1-1/4" Avail.)	28 863	45
PCW3518-ORB	18"	1-3/4"	28-1/4"	46-1/4"	22.87"	SAE#8 (1/2" NPT Available)	1" (1-1/4" Avail.)	28 863	48
PCW3520-ORB	20"	1-3/4"	30-1/4"	50-1/4"	24.87"	SAE#8 (1/2" NPT Available)	1" (1-1/4" Avail.)	28 863	52
PCW3524-ORB	24"	1-3/4"	34-1/4"	58-1/4"	28.87"	SAE#8 (1/2" NPT Available)	1" (1-1/4" Avail.)	28 863	55
PCW3528-ORB	28"	1-3/4"	38-1/4"	66-1/4"	32.87"	SAE#8 (1/2" NPT Available)	1" (1-1/4" Avail.)	28 863	62
PCW3530-ORB	30"	1-3/4"	40-1/4"	70-1/4"	34.87"	SAE#8 (1/2" NPT Available)	1" (1-1/4" Avail.)	28 863	66
PCW3532-ORB	32"	1-3/4"	42-1/4"	74-1/4"	36.87"	SAE#8 (1/2" NPT Available)	1" (1-1/4" Avail.)	28 863	70
PCW3534-ORB	34"	1-3/4"	44-1/4"	78-1/4"	38.87"	SAE#8 (1/2" NPT Available)	1" (1-1/4" Avail.)	28 863	73
PCW3536-ORB	36"	1-3/4"	46-1/4"	82-1/4"	40.87"	SAE#8 (1/2" NPT Available)	1" (1-1/4" Avail.)	28 863	77

PCW

ALL PRODUCT SPECIFICATIONS ARE SUBJECT TO CHANGE WITHOUT PRIOR NOTICE.
ALL NUMBERS GIVEN ARE NOMINAL VALUES AND SHOULD BE USED FOR REFERENCE ONLY.



DOUBLE ACTING HYDRAULIC CYLINDER - CLEVIS

4.000" BORE 3000 PSI WP

PART No.	STROKE	ROD Ø	RETRACTED	EXTRACTED	C	PORT	PIN	MAX FORCE LBS	WEIGHT (LBS)
PCW4004-ORB	4"	2"	14-1/4"	18-1/4"	9.00"	SAE#8 (1/2" NPT Available)	1" (1-1/2" Avail.)	37 700	31
PCW4006-ORB	6"	2"	16-1/4"	22-1/4"	11.00"	SAE#8 (1/2" NPT Available)	1" (1-1/2" Avail.)	37 700	36
PCW4008-ORB	8"	2"	20-1/4"	28-1/4"	13.00"	SAE#8 (1/2" NPT Available)	1" (1-1/2" Avail.)	37 700	41
PCW4010-ORB	10"	2"	20-1/4"	30-1/4"	15.00"	SAE#8 (1/2" NPT Available)	1" (1-1/2" Avail.)	37 700	46
PCW4012-ORB	12"	2"	22-1/4"	34-1/4"	17.00"	SAE#8 (1/2" NPT Available)	1" (1-1/2" Avail.)	37 700	47
PCW4014-ORB	14"	2"	24-1/4"	38-1/4"	19.00"	SAE#8 (1/2" NPT Available)	1" (1-1/2" Avail.)	37 700	50
PCW4016-ORB	16"	2"	26-1/4"	42-1/4"	21.00"	SAE#8 (1/2" NPT Available)	1" (1-1/2" Avail.)	37 700	53
PCW4018-ORB	18"	2"	28-1/4"	46-1/4"	23.00"	SAE#8 (1/2" NPT Available)	1" (1-1/2" Avail.)	37 700	56
PCW4020-ORB	20"	2"	30-1/4"	50-1/4"	25.00"	SAE#8 (1/2" NPT Available)	1" (1-1/2" Avail.)	37 700	61
PCW4024-ORB	24"	2"	34-1/4"	58-1/4"	29.00"	SAE#8 (1/2" NPT Available)	1" (1-1/2" Avail.)	37 700	66
PCW4028-ORB	28"	2"	38-1/4"	66-1/4"	33.00"	SAE#8 (1/2" NPT Available)	1" (1-1/2" Avail.)	37 700	77
PCW4030-ORB	30"	2"	40-1/4"	70-1/4"	35.00"	SAE#8 (1/2" NPT Available)	1" (1-1/2" Avail.)	37 700	81
PCW4032-ORB	32"	2"	42-1/4"	74-1/4"	37.00"	SAE#8 (1/2" NPT Available)	1" (1-1/2" Avail.)	37 700	87
PCW4034-ORB	34"	2"	44-1/4"	78-1/4"	39.00"	SAE#8 (1/2" NPT Available)	1" (1-1/2" Avail.)	37 700	90
PCW4036-ORB	36"	2"	46-1/4"	82-1/4"	41.00"	SAE#8 (1/2" NPT Available)	1" (1-1/2" Avail.)	37 700	94

5.000" BORE 3000 PSI WP

PCW5004-ORB	4"	2-1/2"	17.00"	21.00"	10.87"	SAE#8 (1/2" NPT Available)	1" (1-1/2" Avail.)	58 905	63
PCW5006-ORB	6"	2-1/2"	19.00"	25.00"	12.87"	SAE#8 (1/2" NPT Available)	1" (1-1/2" Avail.)	58 905	67
PCW5008-ORB	8"	2-1/2"	21.00"	29.00"	14.87"	SAE#8 (1/2" NPT Available)	1" (1-1/2" Avail.)	58 905	71
PCW5010-ORB	10"	2-1/2"	23.00"	33.00"	16.87"	SAE#8 (1/2" NPT Available)	1" (1-1/2" Avail.)	58 905	76
PCW5012-ORB	12"	2-1/2"	25.00"	37.00"	18.87"	SAE#8 (1/2" NPT Available)	1" (1-1/2" Avail.)	58 905	80
PCW5014-ORB	14"	2-1/2"	27.00"	41.00"	20.87"	SAE#8 (1/2" NPT Available)	1" (1-1/2" Avail.)	58 905	84
PCW5016-ORB	16"	2-1/2"	29.00"	45.00"	22.87"	SAE#8 (1/2" NPT Available)	1" (1-1/2" Avail.)	58 905	89
PCW5018-ORB	18"	2-1/2"	31.00"	49.00"	24.87"	SAE#8 (1/2" NPT Available)	1" (1-1/2" Avail.)	58 905	93
PCW5020-ORB	20"	2-1/2"	33.00"	53.00"	26.87"	SAE#8 (1/2" NPT Available)	1" (1-1/2" Avail.)	58 905	98
PCW5024-ORB	24"	2-1/2"	37.00"	61.00"	30.87"	SAE#8 (1/2" NPT Available)	1" (1-1/2" Avail.)	58 905	106
PCW5028-ORB	28"	2-1/2"	41.00"	69.00"	34.87"	SAE#8 (1/2" NPT Available)	1" (1-1/2" Avail.)	58 905	115
PCW5030-ORB	30"	2-1/2"	43.00"	73.00"	36.87"	SAE#8 (1/2" NPT Available)	1" (1-1/2" Avail.)	58 905	120
PCW5032-ORB	32"	2-1/2"	45.00"	77.00"	38.87"	SAE#8 (1/2" NPT Available)	1" (1-1/2" Avail.)	58 905	124
PCW5034-ORB	34"	2-1/2"	47.00"	81.00"	40.87"	SAE#8 (1/2" NPT Available)	1" (1-1/2" Avail.)	58 905	129
PCW5036-ORB	36"	2-1/2"	49.00"	85.00"	42.87"	SAE#8 (1/2" NPT Available)	1" (1-1/2" Avail.)	58 905	133



ALL PRODUCT SPECIFICATIONS ARE SUBJECT TO CHANGE WITHOUT PRIOR NOTICE
ALL NUMBERS GIVEN ARE NOMINAL VALUES AND SHOULD BE USED FOR REFERENCE ONLY

PCTL

PREMIUM TELESCOPIC CYLINDER



PCTL

7 TONS INVERSE

PART NUMBER	STROKE	A	B	C	D	E	F	G	H	L	PORT	WEIGHT (lbs)	VOLUME (Gal.)
PCTL-07807-ORB	78"	35.5"	3.75"	2"	1.063"	2.25"	1.25"	6.5"	1.25"	7"	SAE#8 (3/4-16UNF)	68	1.9
PCTL-09007-ORB	90"	39.5"	3.75"	2"	1.063"	2.25"	1.25"	6.5"	1.25"	7"	SAE#8 (3/4-16UNF)	75	2.2
PCTL-10807-ORB	108"	45.5"	3.75"	2"	1.063"	2.25"	1.25"	6.5"	1.25"	7"	SAE#8 (3/4-16UNF)	101	2.7

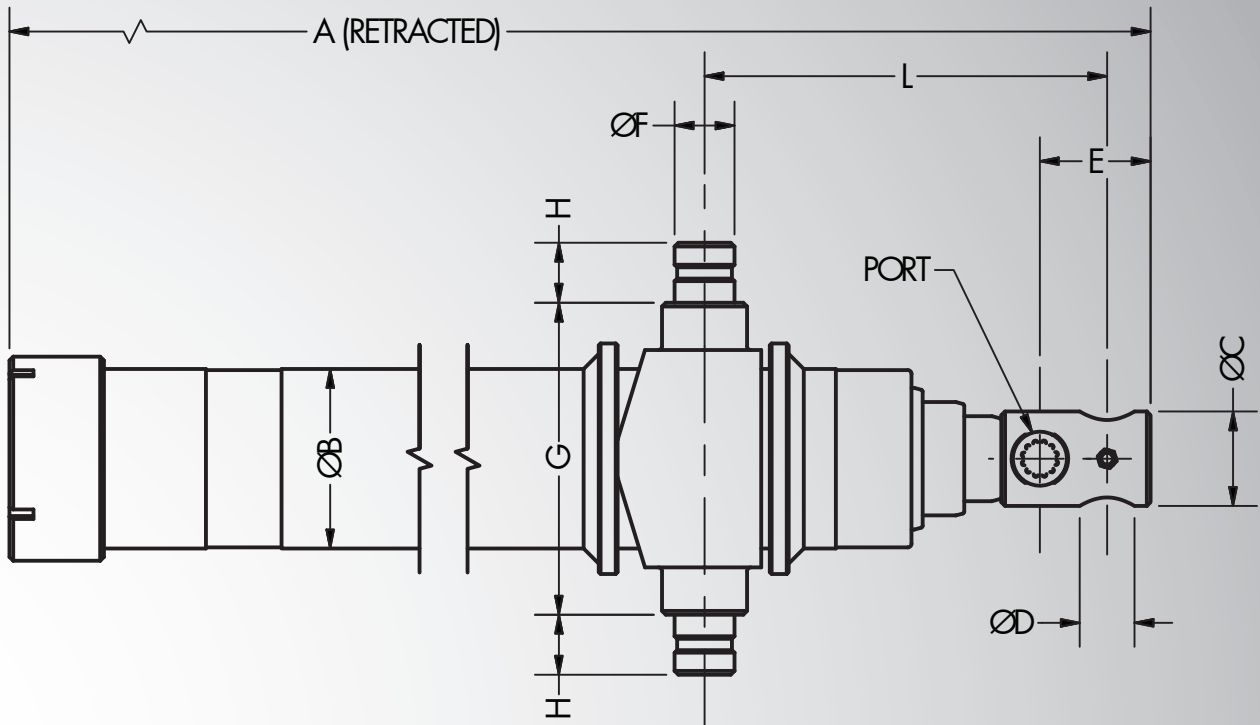
12 TONS INVERSE

PART NUMBER	STROKE	A	B	C	D	E	F	G	H	L	PORT	WEIGHT (lbs)	VOLUME (Gal.)
PCTL-07812-ORB	78"	34.75"	4.4"	2"	1.063"	2.25"	1.5"	7.5"	1.5"	7"	SAE#8 (3/4-16UNF)	106	3.1
PCTL-09012-ORB	90"	38.75"	4.4"	2"	1.063"	2.25"	1.5"	7.5"	1.5"	7"	SAE#8 (3/4-16UNF)	107	3.6
PCTL-10812-ORB	108"	44.75"	4.4"	2"	1.063"	2.25"	1.5"	7.5"	1.5"	7"	SAE#8 (3/4-16UNF)	132	4.3
PCTL-12012-ORB	120"	48.75"	4.4"	2"	1.063"	2.25"	1.5"	7.5"	1.5"	7"	SAE#8 (3/4-16UNF)	143	4.7
PCTL-14412-ORB	144"	56.75"	4.4"	2"	1.063"	2.25"	1.5"	7.5"	1.5"	7"	SAE#8 (3/4-16UNF)	166	5.7

ALL PRODUCT SPECIFICATIONS ARE SUBJECT TO CHANGE WITHOUT PRIOR NOTICE. ALL NUMBERS GIVEN ARE NOMINAL VALUES AND SHOULD BE USED FOR REFERENCE ONLY.



HYDRAULIC CYLINDER - TELESCOPIC CYLINDER

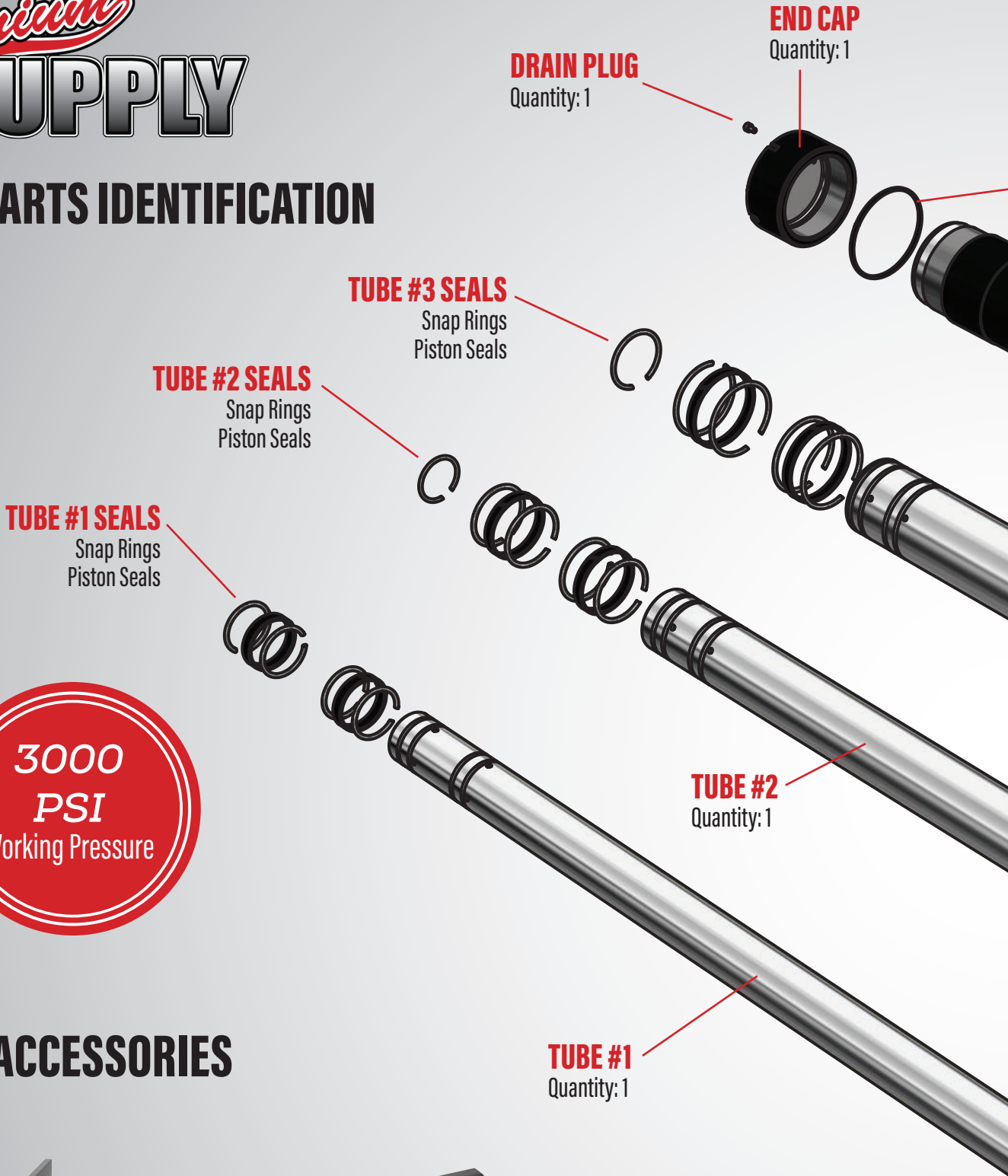


**3000
PSI**
Working Pressure

PCTL

ALL PRODUCT SPECIFICATIONS ARE SUBJECT TO CHANGE WITHOUT PRIOR NOTICE
ALL NUMBERS GIVEN ARE NOMINAL VALUES AND SHOULD BE USED FOR REFERENCE ONLY

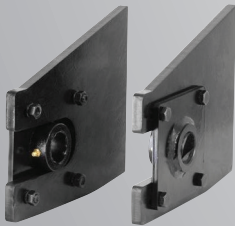
PCTL - PARTS IDENTIFICATION



**3000
PSI**
Working Pressure

PCTL

PCTL - ACCESSORIES



MOUNTING BRACKETS

7 TONS: PCTLS07-A
12 TONS: PCTLS12-A



SUPPORT FRAME

7 & 12 TONS: PCTLSB07-A

ALL PRODUCT SPECIFICATIONS ARE SUBJECT TO CHANGE WITHOUT PRIOR NOTICE
ALL NUMBERS GIVEN ARE NOMINAL VALUES AND SHOULD BE USED FOR REFERENCE ONLY



HYDRAULIC CYLINDER - TELESCOPIC CYLINDER

END CAP O-RING

Quantity: 1

BARREL

Quantity: 1

TUBE #3

Quantity: 1

PLASTIC PLUG

Quantity: 1

ROD END

Quantity: 1

ROD O-RING

Quantity: 1

GREASE FITTING

1/8-27 NPT - Quantity: 2

SEAL KIT NUMBER

PART NO	SEAL KIT NUMBER
PCTL-07807-ORB	SK-PCTL-456075
PCTL-09007-ORB	SK-PCTL-456075
PCTL-10807-ORB	SK-PCTL-456075
PCTL-07812-ORB	SK-PCTL-607592
PCTL-09812-ORB	SK-PCTL-607592
PCTL-10812-ORB	SK-PCTL-607592
PCTL-12012-ORB	SK-PCTL-607592
PCTL-14412-ORB	SK-PCTL-607592

BARREL SEALS

Snap Ring
Rod Seal
Wear Band
Wiper

TUBE #3 SEALS

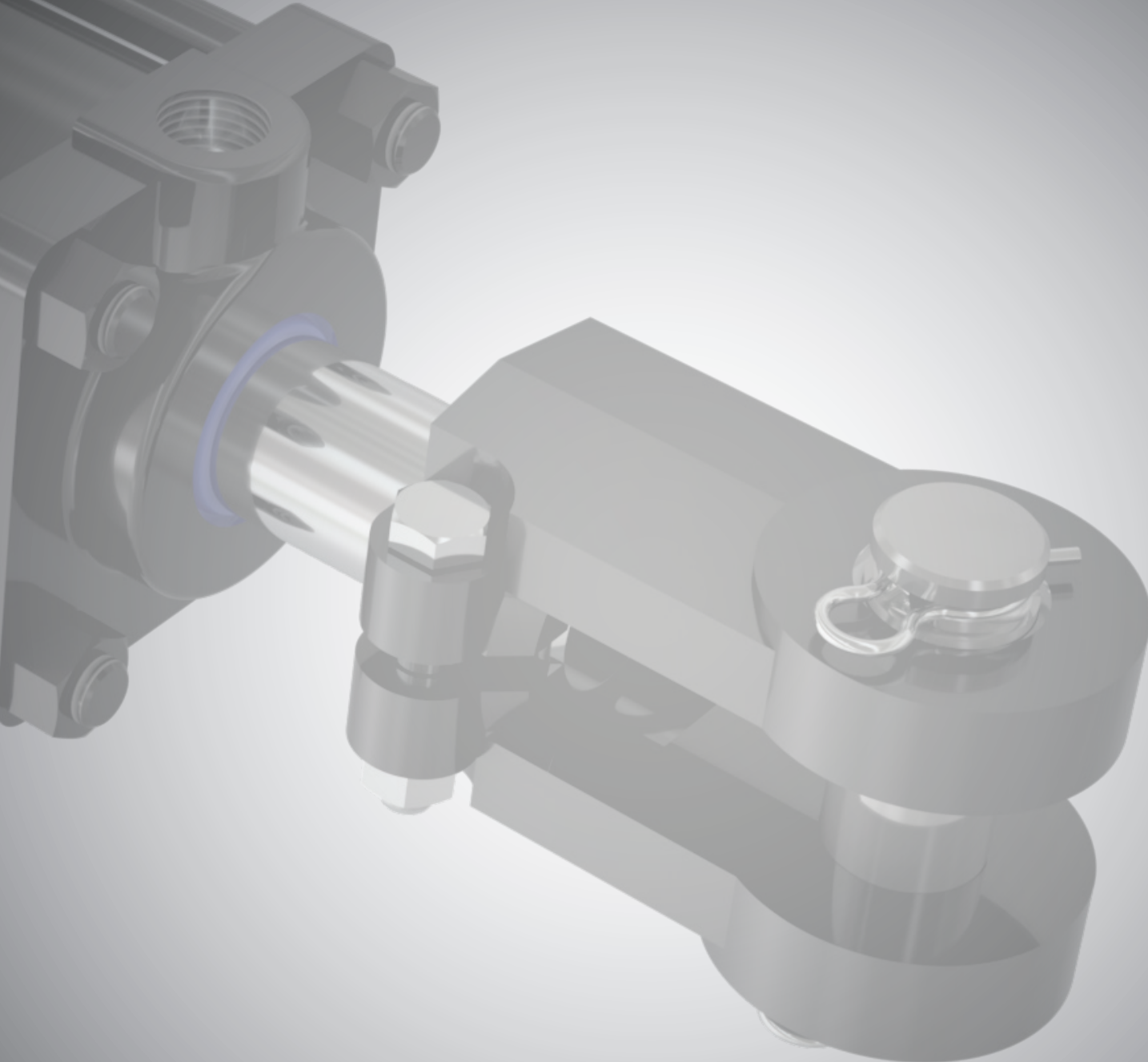
Snap Ring
Rod Seal
Wear Band
Wiper

TUBE #2 SEALS

Snap Ring
Rod Seal
Wear Band
Wiper



ALL PRODUCT SPECIFICATIONS ARE SUBJECT TO CHANGE WITHOUT PRIOR NOTICE
ALL NUMBERS GIVEN ARE NOMINAL VALUES AND SHOULD BE USED FOR REFERENCE ONLY



== RUN WITH A WINNING TEAM! ==

2038 W. Interstate 30
Greenville, Texas 75402

(866) 934-0777

U.S. CALL TOLL FREE

(903) 455-7777

OUTSIDE THE U.S.

sales@premium-supply.com

www.premium-supply.com