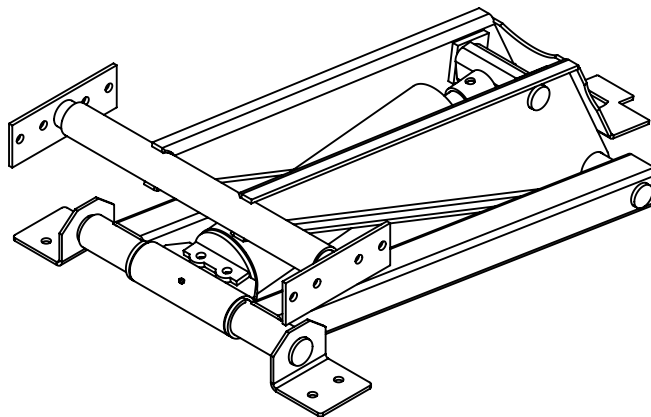


POWER HOIST



Power Hoist

Models

PH310, PH416, PH516, PH520, PH616-5, PH616-6, PH620, PH621-5, PH621-6,
PH625, PH630
and Trailer Jack with Hoist

Operator's Manual and Installation Instructions

Premium Supply

2038 West Interstate 30
Greenville, Texas
866-934-0777
Proud members of:



August 4, 2022

Table of Contents

INTRODUCTION	3
STANDARD WARRANTY AND WARRANTY EXTENSIONS	4
SAFETY FIRST	5
SAFETY SIGN LOCATIONS	6
SAFETY PRECAUTIONS	7
HOIST KIT	8
SAFETY ARM INSTALLATION AND USE	9
HINGE INSTALLATION	11
HOIST LOCATION ON TRAILER	12
HOIST MOUNTING DIMENSIONS	13
HOIST AND HINGE GREASE POINTS	14
SINGLE AND DUAL ACTING HYD. POWER UNIT INSTALLATION	15
Single Acting HPU Connections	16
Dual Acting HPU Connections	17
TYPICAL BATTERY HOOKUP	18
TRAILER JACK KIT	19
SINGLE HYDRAULIC TRAILER JACK INSTALLATION	20
DUAL HYDRAULIC TRAILER JACK INSTALLATION	21
DUAL DOUBLE ACTING JACK AND HOIST HPU CONNECTIONS	22
PH310 HOIST DIMENSIONS AND CAPACITY	24
PH416 HOIST DIMENSIONS AND CAPACITY	26
PH516 HOIST DIMENSIONS AND CAPACITY	28
PH520 HOIST DIMENSIONS AND CAPACITY	30
PH520 HOIST DIMENSIONS AND CAPACITY	30
PH616-5 & PH616-6 HOIST DIMENSIONS AND CAPACITY	32
PH620 HOIST DIMENSIONS AND CAPACITY	34
PH621-5 & 621-6 HOIST DIMENSIONS AND CAPACITY	36
PH625 HOIST DIMENSIONS AND CAPACITY	38
PH630 HOIST DIMENSIONS AND CAPACITY	40

INTRODUCTION

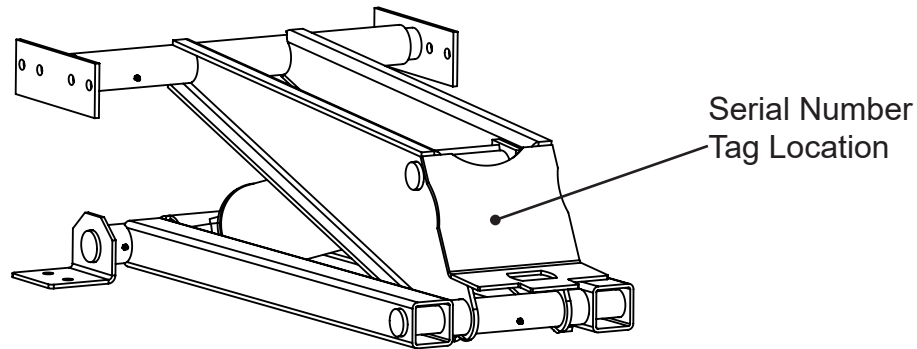
This manual covers proper hoist installation, hydraulic connections, wiring and service of the Premium Supply hoists..

NOTICE: READ THIS ENTIRE MANUAL BEFORE ATTEMPTING TO INSTALL ANY COMPONENT CONTAINED IN THE HOIST KIT.

This manual should be kept at all times with the trailer, jack, hoist or other equipment or device(s) with which this Premium Supply product is used or installed.

NOTE: Installation of Premium Supply products on your truck or trailer or other equipment may void or affect the truck or trailer or equipment warranty – contact the manufacturer to ensure continued warranty coverage or conditions or exceptions to warranty that may be affected.

Each kit contains an adhesive serial number tag which must be affixed to the hoist in the area shown.



IMPORTANT INFORMATION

Jack Model Number:	
Jack Serial Number:	
Pump Installation and Operation Manual Number:	
In Service Date:	
Dealer:	
Address:	
City, State, Zip:	
Dealer Phone Number:	

STANDARD WARRANTY AND WARRANTY EXTENSIONS

→ STANDARD WARRANTY

Premium Supply makes no express warranty for this product except those specifically set forth herein. Premium Supply warrants its products to be free from defect in design, material and workmanship for a period of 36 months from original date of purchase, and to be suitable for and to perform in accordance with the use(s) and specifications stated in product materials. This warranty supersedes all other warranties. Except for warranties herein stated, there are no other warranties.

EXCLUSION OF IMPLIED WARRANTIES: PREMIUM SUPPLY MAKES NO WARRANTY OF MERCHANTABILITY OF THE GOODS SOLD UNDER THIS AGREEMENT. PREMIUM SUPPLY MAKES NO WARRANTY OF FITNESS FOR A PARTICULAR PURPOSE OF THE GOODS SOLD.

This warranty applies only to parts manufactured by Premium Supply. Components not manufactured by Premium Supply shall be covered under the original manufacturer's warranty. Premium Supply will assist in administering all such warranties. If a defect in a product is discovered and is covered by this warranty, Premium Supply will have the option to repair, refurbish or replace any warranted item(s), such option to be exercised in Premium Supply's sole discretion. This warranty inures to the benefit of the original purchaser only, is non-transferable, and has no cash value

→ WARRANTY EXTENSIONS

If the following conditions are met, the standard warranty will be extended as stated below if (1) the hydraulic oil is purchased from Premium Supply and (2) all single acting circuits are plumbed with a hydraulic hose installed on both sides of the cylinder.

4 years for battery optimizer kit that include:

20 amp. road charger with 7 way

5 amp battery charger

SP-3 – 3watt SolarPulse panel

5 years for battery optimizer heavy duty kit that includes:

20 amp. road charger with 7 way

8 amp, battery charger

SP-7-7 watt SolarPulse panel

6 years for battery optimizer extreme heavy duty kit that includes:

20 amp. road charger

18 amp. battery charger

SP-12-12 watt SolarPulse panel

→ EXCLUSIONS

This warranty covers only defects in design, manufacturing and/or materials discovered while using the product as recommended by the manufacturer. The warranty does not cover: (1) loss or theft; (2) product failure or damage caused by user abuse or neglect, improper use, improper installation, improper maintenance, improper storage, or improper or unauthorized modification(s); (3) parts that are subject to normal wear and tear; (4) paint, finishes or paint preparation performed by anyone other than Premium Supply; (5) deterioration of paint and/or appearance caused by normal wear and tear and/or exposure to natural elements; (6) modifications not authorized by Premium Supply; and/or (7) loss brought about by natural disaster or acts of God. This warranty becomes VOID and of no force or effect upon modifications to product component performed by anyone other than Premium Supply if such modifications are not authorized by Premium Supply.

→ LIMITS OF LIABILITY

Should the product fail, the sole recourse is repair or replacement, as described in the preceding paragraphs. Premium Supply is not liable to any party for direct, indirect or consequential damage(s) resulting from failure of the product. Under no circumstances will Premium Supply be responsible for lost profit, lost savings, damage to other equipment, rental or replacement costs, or other incidental or consequential damages arising from use or inability to use the product. Damages, if any, recoverable against Premium Supply shall under no circumstances exceed the current list price of the product excluding tax, shipping and handling charges

By using the product, user accepts all terms stated herein. Premium Supply reserves the right to make improvements to any model or product without notice.

SAFETY FIRST

IT IS YOUR DUTY AND RESPONSIBILITY TO COMPLETELY READ THROUGH AND UNDERSTAND THIS MANUAL AND ALL OTHER MATERIALS PROVIDED WITH PREMIUM SUPPLY PRODUCT(S)(INCLUDING MATERIALS PROVIDED BY THIRD PARTY MANUFACTURERS) BEFORE ATTEMPTING ANY INSTALLATION OR OPERATION OF PREMIUM SUPPLY OR THIRD PARTY PRODUCT(S) SUPPLIED BY PREMIUM SUPPLY. IF AT ANY TIME YOU HAVE QUESTIONS ABOUT THE INSTALLATION OR OPERATION OF PREMIUM SUPPLY OR PREMIUM SUPPLY SUPPLIED PRODUCT(S) OR ABOUT THE CONTENTS OF THIS MANUAL, CONTACT PREMIUM SUPPLY BEFORE PROCEEDING WITH THE CONTEMPLATED INSTALLATION OR OPERATION. PREMIUM SUPPLY IS NOT RESPONSIBLE FOR PROPERTY DAMAGE OR PERSONAL INJURY OR DEATH THAT MAY OCCUR FOR YOUR FAILURE TO COMPLY WITH THESE REQUIREMENTS.



This symbol is used to call attention to instructions concerning personal safety. Be sure to observe and follow these instructions. Take time to read thoroughly and to be careful!

A brief description of signal words that are used in this manual follows:



DANGER

Indicates an imminently hazardous situation which, if not avoided, WILL result in property damage, death or serious injury.



WARNING

Indicates a potentially hazardous situation which, if not avoided, COULD result in property damage, death or serious injury and includes hazards that are exposed when guards are removed.

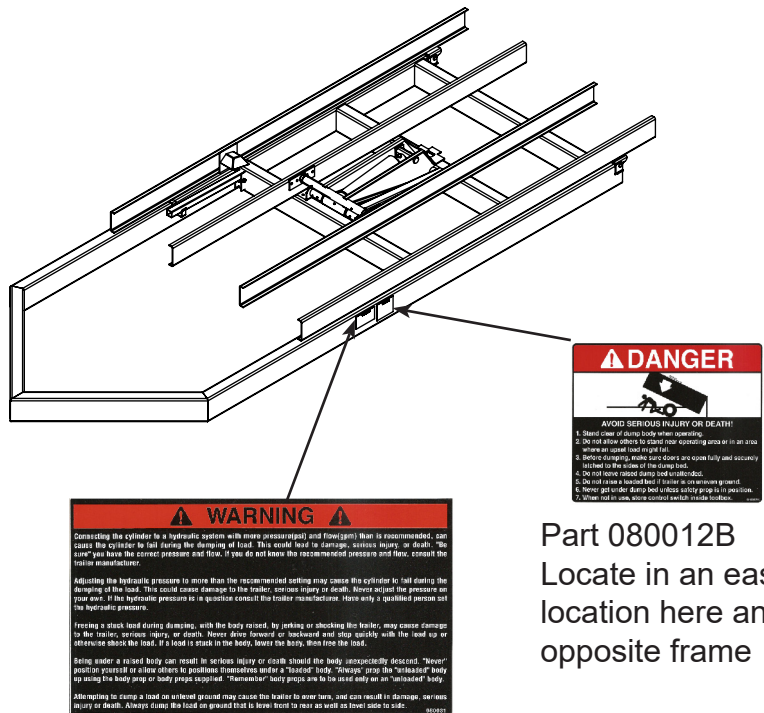


CAUTION

Indicates a potentially hazardous situation which, if not avoided, MAY result in property damage or minor or moderate person injury including death. It is also used to alert against unsafe practices.

SAFETY SIGN LOCATIONS

Installing or operating this equipment without first understanding proper installation and operation procedures could lead to serious property damage, personal injury or even death. Always read and fully understand all installation and operation manuals before installing or operating this equipment. Contact Premium Supply with any questions. Read all safety signs on the trailer and those included with or stated in this manual. Keep these signs clean and replace any lost, damaged or destroyed signs.



WARNING

Connecting the cylinder to a hydraulic system with more pressure and flow than is recommended, can cause the cylinder to fail during the dumping of load. This could lead to damage, serious injury, or death. "No one" can have the correct pressure and flow. If you do not know the recommended pressure and flow, consult the frame manufacturer.

Adjusting the hydraulic pressure to more than the recommended setting may cause the cylinder to fail during the dumping of the load. This could cause damage to the trailer, serious injury or death. Never adjust the pressure on your own. If the hydraulic pressure is in question consult the trailer manufacturer. Have only a qualified person set the hydraulic pressure.

Freeing a stuck load during dumping, with the body raised, by jacking or shocking the trailer, may cause damage to the trailer, serious injury, or death. Never force forward or backward and stop quickly with the load up as otherwise about the load. If a load is stuck in the body, lower the body, then free the load.

Being under a raised body can result in serious injury or death should the body unexpectedly descend. "Never" position yourself or allow others to position themselves under a "loaded" body. Always strap the "loaded" body up using the body strap or body props supplied. "Flambeaux" body props are to be used only on an "unloaded" body.


Attempting to dump a load on uneven ground may cause the trailer to over turn, and can result in damage, serious injury or death. Always dump the load on ground that is level front to rear as well as level side to side.


Part 080031
Locate as shown


Part 080012B
Locate in an easy to read location here and on opposite frame


SAFETY PRECAUTIONS


Installing or operating this hoist without first understanding proper installation and operation procedures could lead to serious injury or death. Always read and fully understand all installation and operation manuals before installing or operating this equipment. Contact Premium Supply with any questions.

 **WARNING** Overloading a trailer could cause vehicle or trailer component damage resulting in injury or death. NEVER exceed the gross vehicle weight (GVW) or gross axle weight (GAW) rating of the trailer or your vehicle.

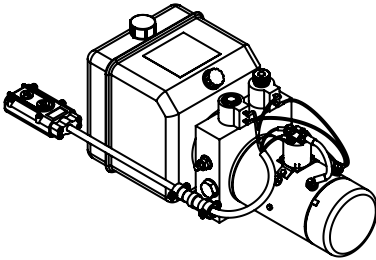
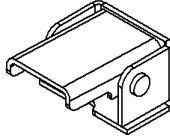
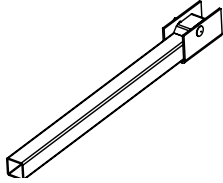
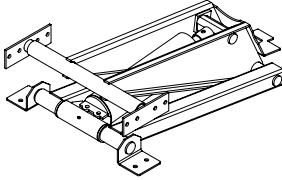
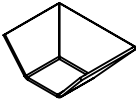
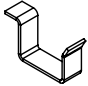
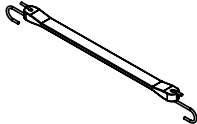
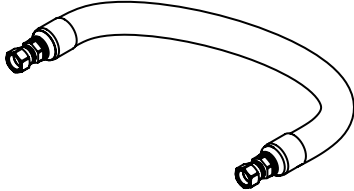
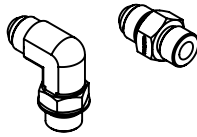
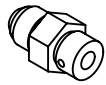
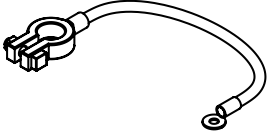

 **WARNING** Damage to brake lines during manufacturing and installation of the hoist, as well as installing any hardware (bolts, nuts, brackets) in a way that they may rub and damage the brake system, could lead to brake failure. This can cause an accident that could cause injury or death. ALWAYS take adequate steps to prevent brake system damage during installation of the hoist, and take precaution to ensure that installed equipment does not interfere with brake system.

 **WARNING** Malfunctioning equipment could cause property damage, injury or death. ALWAYS have faulty equipment repaired before continuing use. Consult the trailer manufacturer if required.

 **WARNING** Welding, oxy-fuel cutting, or grinding could cause fuel to ignite. This could lead to injury or death. ALWAYS take adequate steps to avoid the ignition of fuel from fuel tanks when welding, oxy-fuel cutting, and/or grinding during installation. Heat from the vehicles exhaust system could cause hydraulic component failure. This could lead to a fire that can lead to injury or death. ALWAYS install equipment in locations where the exhaust system heat will not damage any components critical to operation.

 **WARNING** Never attempt to jerk or shock the trailer body with the body raised to remove a stuck load. Jerking or shocking the trailer in this position can cause damage that could result in injury or even death. NEVER drive forward or reward and stop quickly to “un-stick” the load. If load is stuck, lower trailer body and free load.

HOIST KIT

 <p>Hydraulic Power Unit</p>	 <p>Hinge (Styles Vary)</p>
 <p>Safety Arm</p>	 <p>Hoist Assembly</p>
 <p>Safety Arm Cup</p>	 <p>Safety Arm Storage Bracket</p>
 <p>Rubber Battery Strap</p>	 <p>Hydraulic Hose Between HPU and Cylinder</p>
 <p>Hydraulic Fittings</p>	 <p>Bridon Load Control</p>
 <p>Battery Cables</p>	 <p>Locking Collars</p>

SAFETY ARM INSTALLATION AND USE

⚠️ WARNING Always support an unloaded body with the safety arm. The safety arm is meant to support the weight of an unloaded body only.

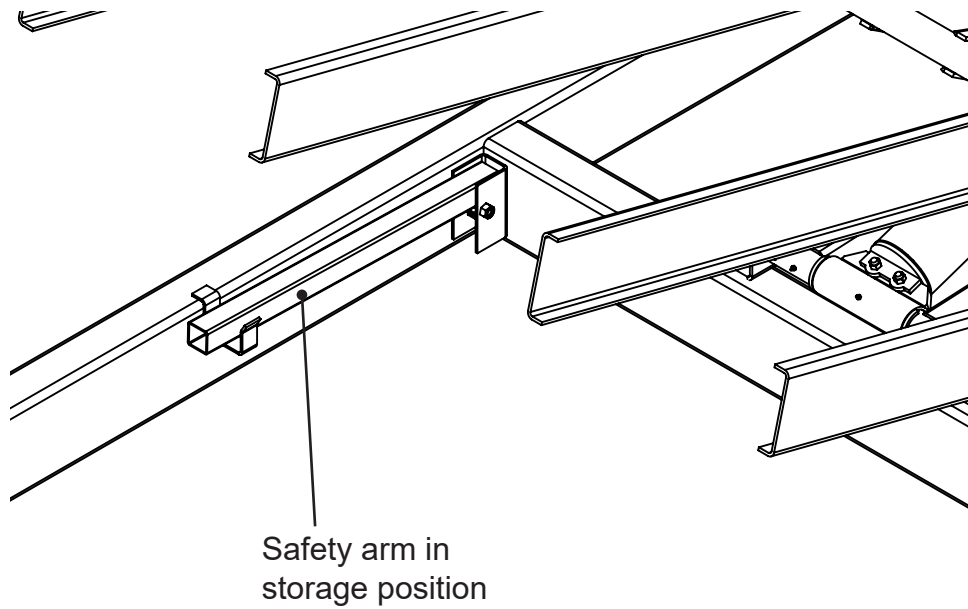
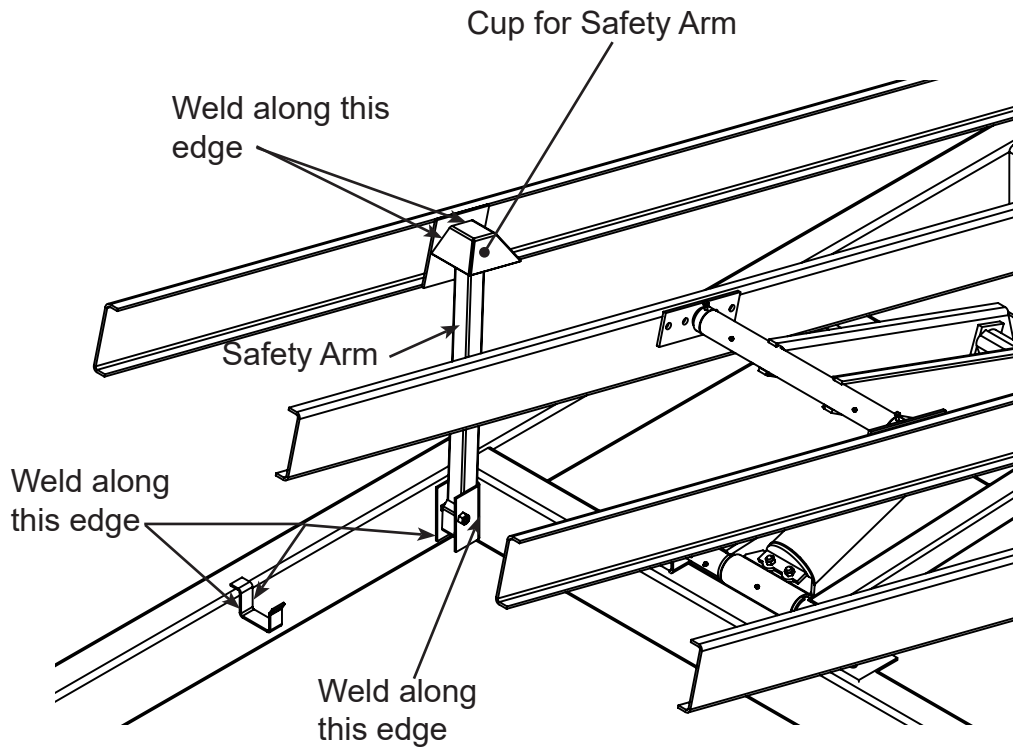
⚠️ DANGER Being under a raised body could result in serious injury or death should the body unexpectedly descend. Never position yourself or allow others to position themselves under a loaded body. Always support an unloaded body with the supplied safety arm. NEVER use the safety arm on a loaded body.

Safety Arm Use:

1. Raise trailer body to sufficient height and shut off hydraulic power to hoist.
2. Grasp safety arm and rotate into the up/vertical position.
3. Once vertical position is accomplished, push arm down into the support bracket at base of arm.
4. **SLOWLY** lower the hoist and body until the cup contacts the vertical facing arm.
5. Reverse the above procedure to place arm back in its hanger for transport (be sure to lower hoist to full down position upon placing arm back in hanger).

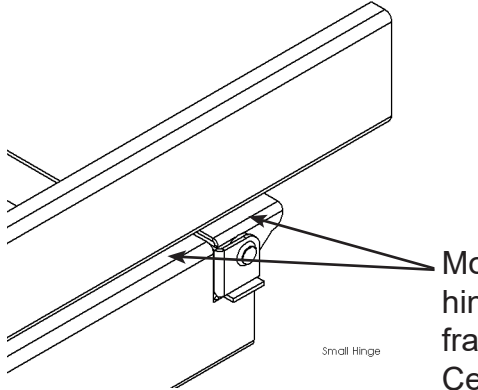
Maximum Unloaded Tilt Body Weight in Pounds Using One Safety Arm

		Trailer tilt body length in feet						
		8	10	12	14	16	18	20
Distance between rear hinge and safety arm in inches	50	3854	3083	2569	2202	1927	1713	1542
	60	4625	3700	3083	2643	2313	2056	1850
	70	5396	4317	3597	3083	2698	2398	2158
	80	6167	4933	4111	3524	3083	2741	2467
	90	6938	5550	4625	3964	3469	3083	2775
	100		6167	5139	4405	3854	3426	3083
	110		6783	5653	4845	4240	3769	3392
	120		7400	6167	5286	4625	4111	3700
	130			6681	5726	5010	4454	4008
	140			7194	6167	5396	4796	4317
	150				6607	5781	5139	4625
	160				7048	6167	5481	4933
	170					6552	5824	5242
	180					6938	6167	5550
	190					7323	6509	5858
	200						6852	6167
	210						7194	6475
220							6783	
230							7092	

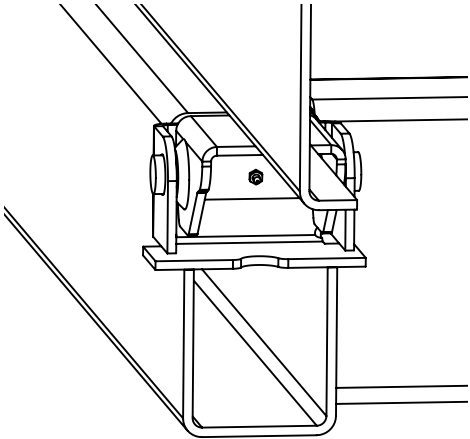


HINGE INSTALLATION

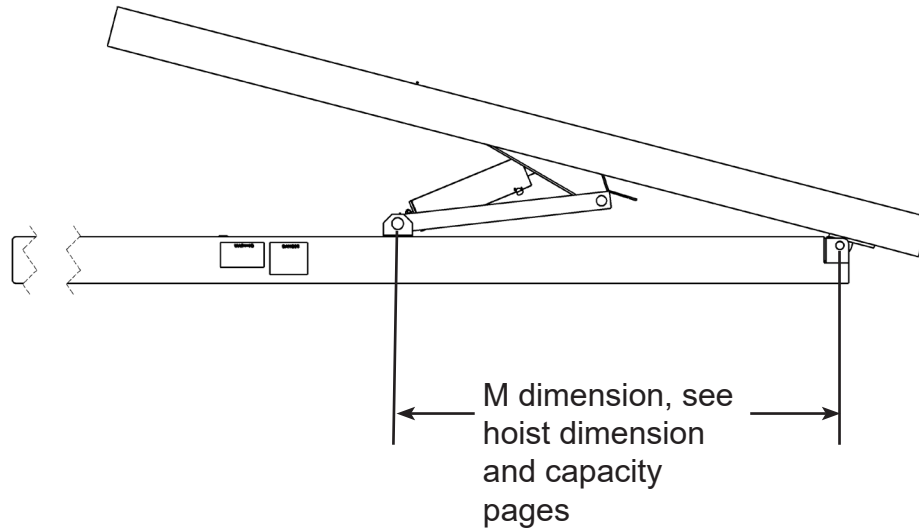
NOTE: Style of hinge could vary from that shown.



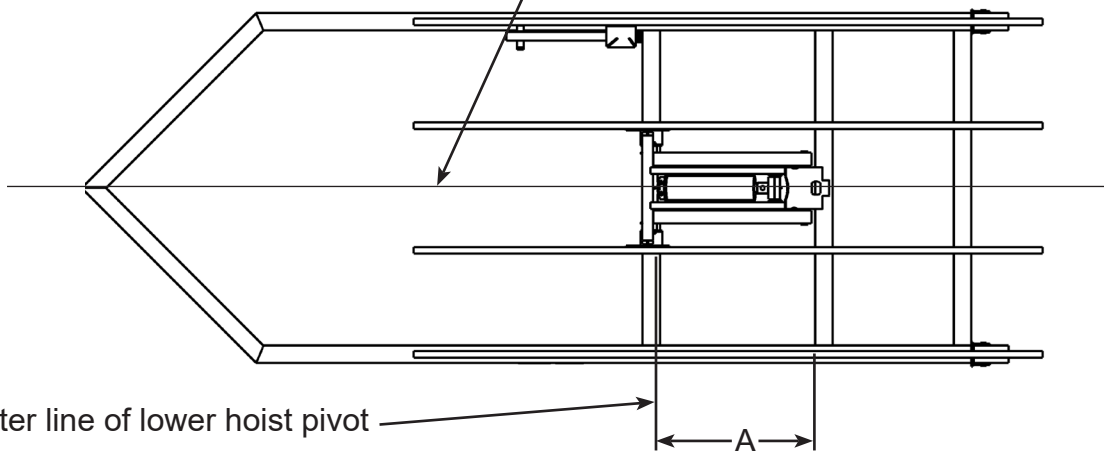
Mount hinge so pad of hinge is level with trailer frame.
Center hinge on support and weld hinge to support at all contact surfaces.



HOIST LOCATION ON TRAILER

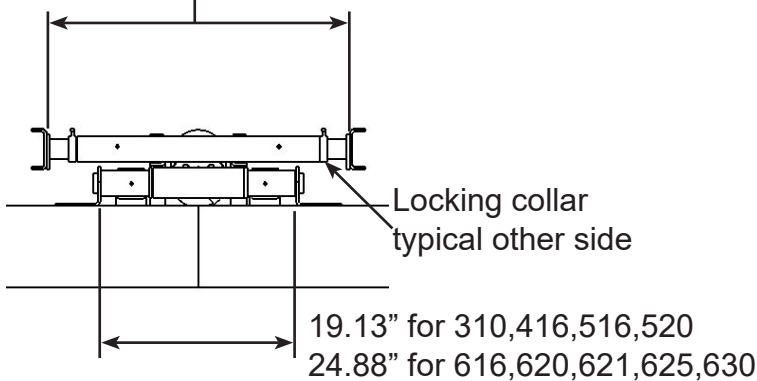


Center hoist assembly on trailer frame



26.5" Max. for 310,416,516,520,616,621

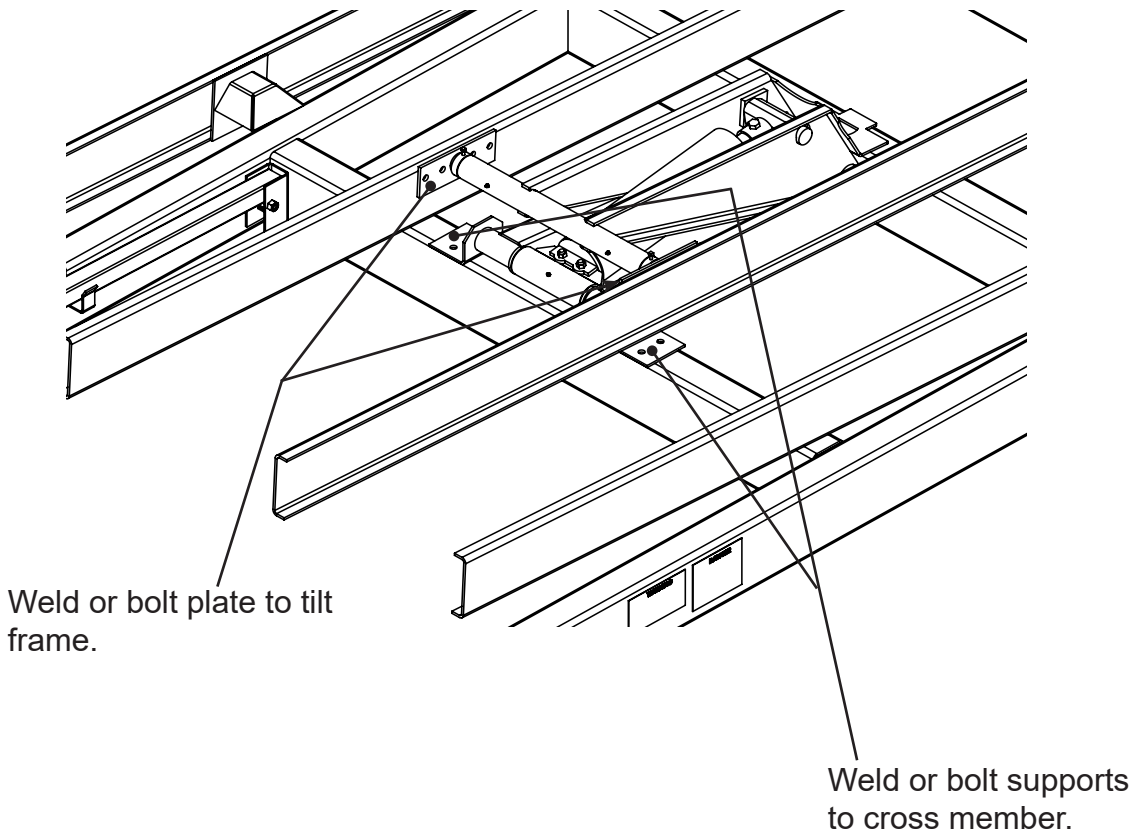
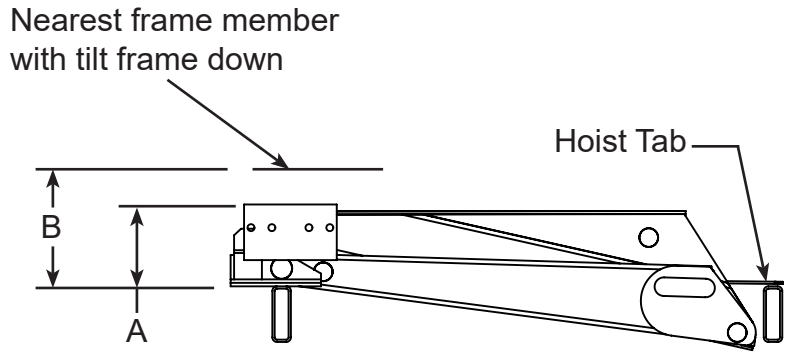
28.0 Max. for 620,625,630



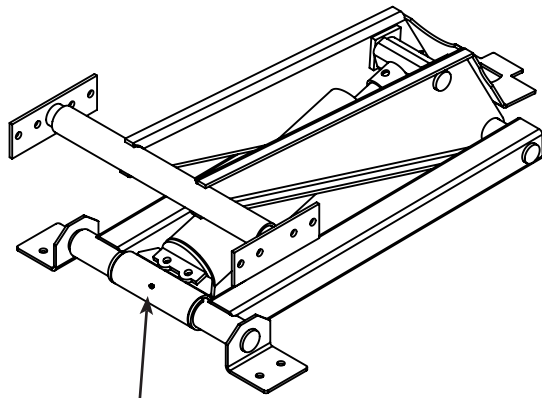
Hoist Model	Dimension A
PH310	27"
PH416	38"
PH516	38"
PH520	46"
PH616	38"
PH620	47"
PH621	46"
PH625	52"
PH630	60"

HOIST MOUNTING DIMENSIONS

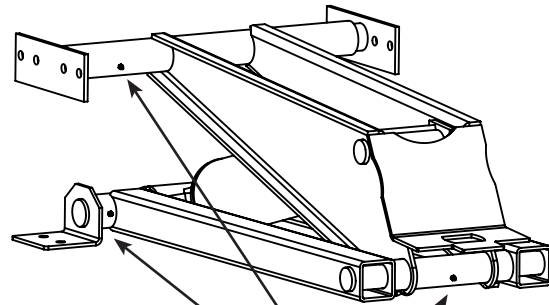
	A	B
PH310	5.5	-----
PH416	7.00	-----
PH516	7.00	-----
PH520	7.00	-----
PH616	8.00	-----
PH620	8.00	13.00
PH621	7.00	-----
PH625	8.00	13.00
PH630	8.00	13.00



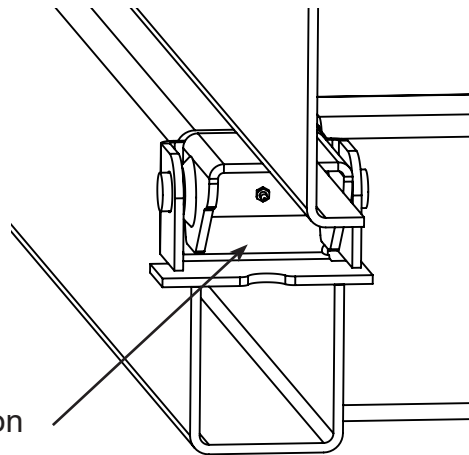
HOIST AND HINGE GREASE POINTS



Grease fitting location



Grease fitting location



Grease fitting location

Lubricate the joint with EP3 grease every 6 months

SINGLE AND DUAL ACTING HYD. POWER UNIT INSTALLATION

If included with the kit, mount HPU (hydraulic power unit) in a weather tight enclosure on the trailer. See additional instructions supplied with the HPU for mounting, electrical, wireless remote and hydraulic fluid requirements.

CAUTION Hydraulic components that are not provided by Premium Supply and are used in the hydraulic circuit that are incompatible with Premium Supply components may cause damage to, or failure or malfunction of, the direct push cylinder or other components of the Premium Supply product(s). Such damage, failure or malfunction may cause property damage, personal injury or even death, It is the purchaser's responsibility to verify the compatibility of components not provided by Premium Supply.

WARNING Connecting the jack to a hydraulic system with more pressure (PSI) or flow (GPM) than is recommended by Premium Supply could cause the jack to fail during operation. Such failure could cause property damage, personal injury, or even death. Ensure that you have pressure that does not exceed tolerances and limits stated for your Premium Supply product(s)/component(s), and that there is no restriction or issue concerning flow before operation. Consult Premium Supply if you are unsure about the limits, capacities and/or tolerances of your hydraulic system.

WARNING Adjusting the hydraulic pressure to exceed the recommended limits or setting could cause the jack to fail during operation. Such failure could cause property damage, personal injury, or death. Pressure should ONLY be adjusted by a trained and qualified technician or mechanic, and should never exceed stated limits or settings of components used.

Hydraulic System Pre-Operation

The hydraulic system supplied by Premium Supply consists of components (pump, valves, reservoir, hoses, cylinder, etc.) that are designed to be compatible with each other.

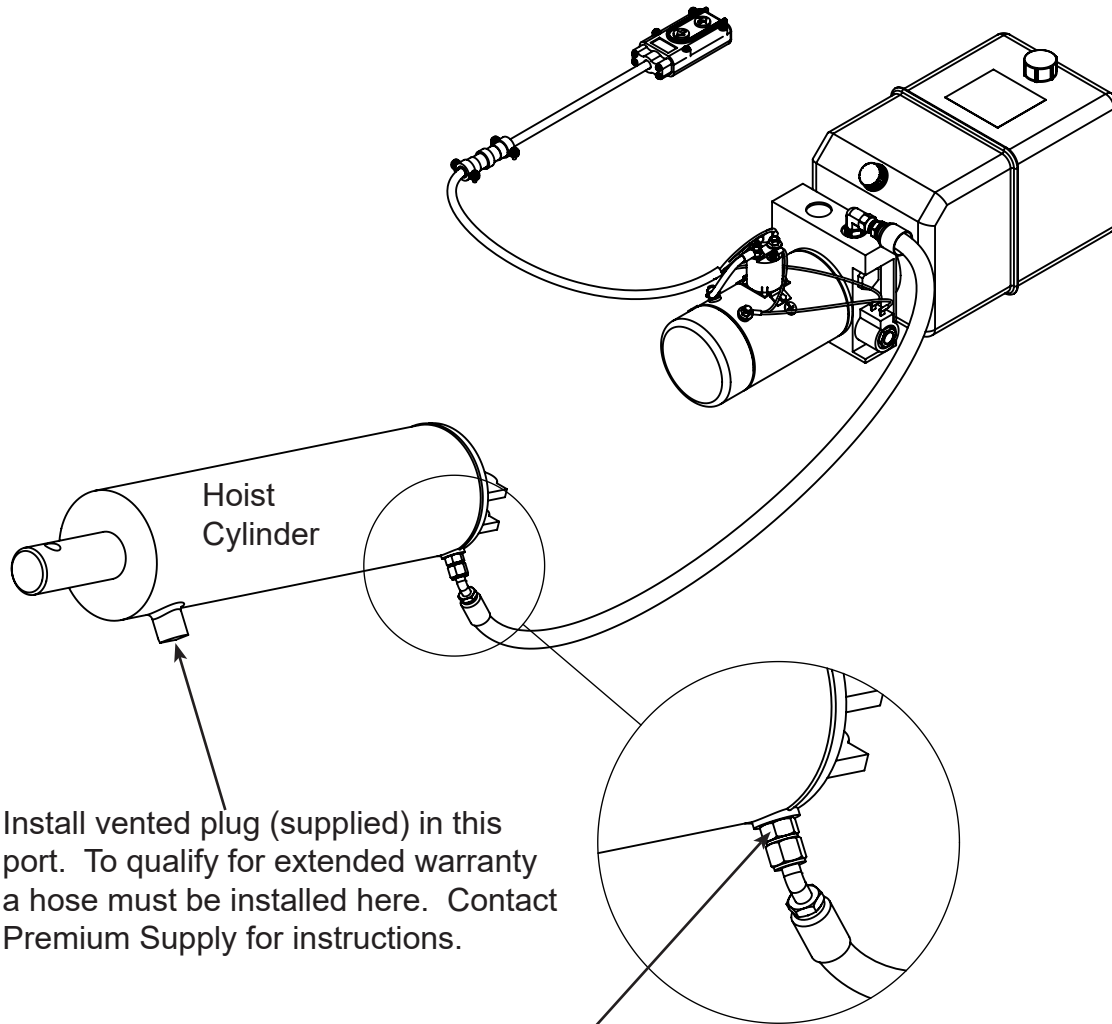
All Premium Supply's liability and warranty will be voided if determined by Premium Supply that substituted hydraulic components (i.e., hydraulic components not provided by Premium Supply as part of the kit) were used and such components were incompatible with components of the kit provided by Premium Supply.

Hydraulic parameters are shown below. These are listed as a general guide to ensure proper compatibility (when using other hydraulic components). If you have any questions about component compatibility, please contact Premium Supply before installation, use or maintenance.

Maximum Working Pressure---3200 PSI

Hydraulic Port Type--#6 JIC

Single Acting HPU Connections

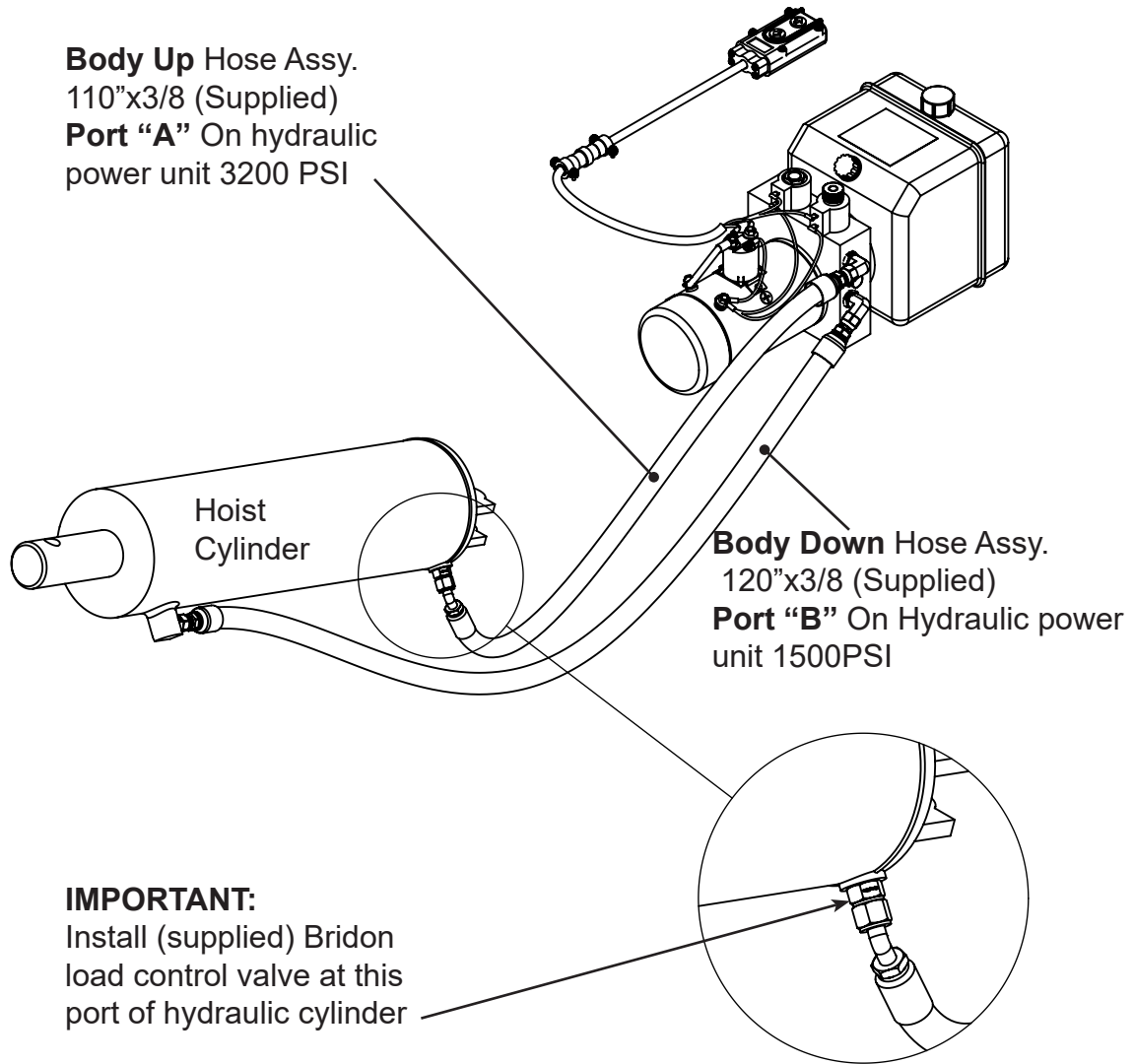


Install vented plug (supplied) in this port. To qualify for extended warranty a hose must be installed here. Contact Premium Supply for instructions.

IMPORTANT:
Install (supplied) Bridon load control valve at this port of hydraulic cylinder

Maximum Hydraulic Flow Rate	2 GPM	Port
Maximum Pressure For "Raising" Portion of Cycle	3200 PSI	A

Dual Acting HPU Connections



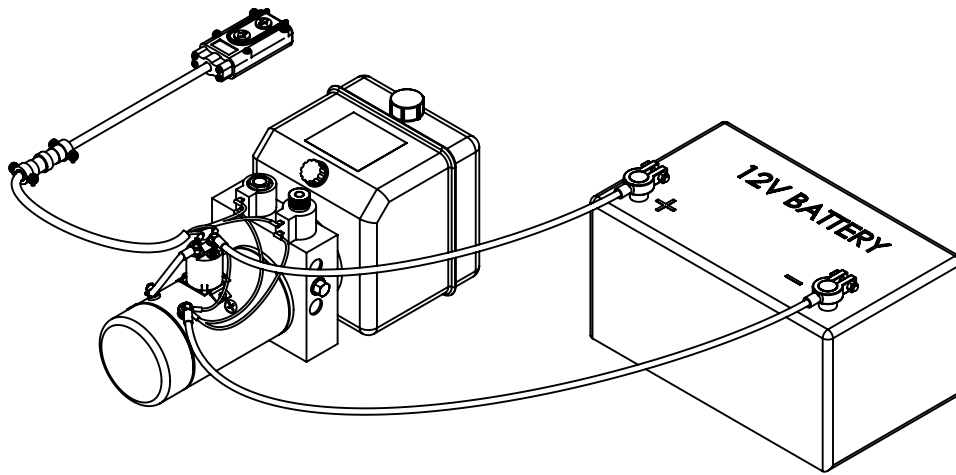
Maximum Hydraulic Flow Rate	2 GPM	Port
Maximum Pressure For "Raising" Portion of Cycle	3200 PSI	A
Maximum Pressure For "Lowering" portion of Cycle	1500 PSI	B

TYPICAL BATTERY HOOKUP



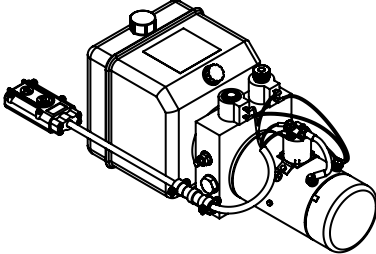
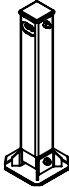
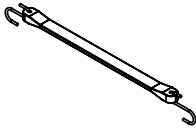
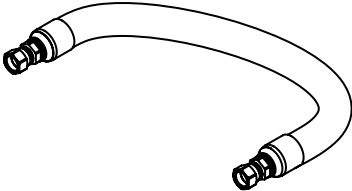
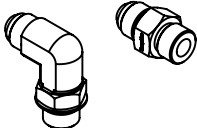
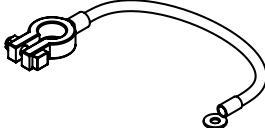
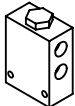
WARNING Shorting of the electrical system brought about by installation, servicing or repairing battery related connection and electrical components can cause sparks, ignition of combustible material and/or fire which in turn can lead to property damage, personal injury or death. ALWAYS disconnect the battery prior to installing, servicing, or repairing power unit.

Mount battery in a weather tight enclosure on the trailer. See additional instructions supplied with the HPU for mounting, electrical and hydraulic fluid requirements.

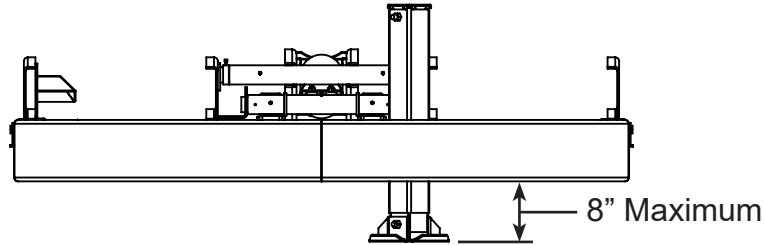
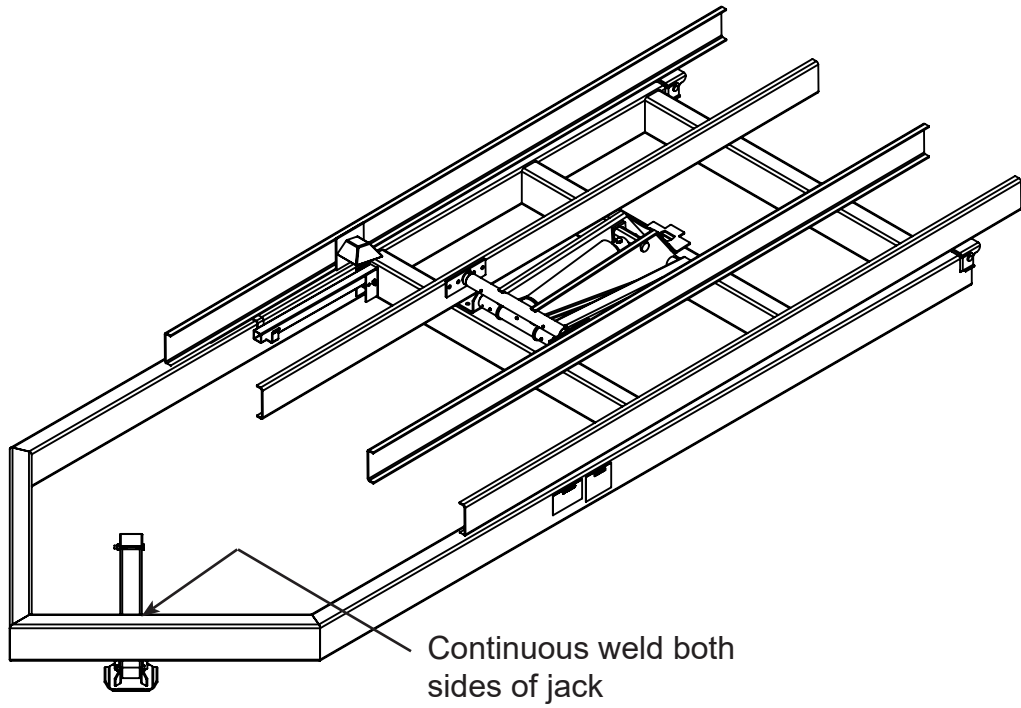


It is highly recommended that the trailer battery be kept charged using one of the Pulse-tech products shown on Premium supply website at <http://www.premium-supply.com/>

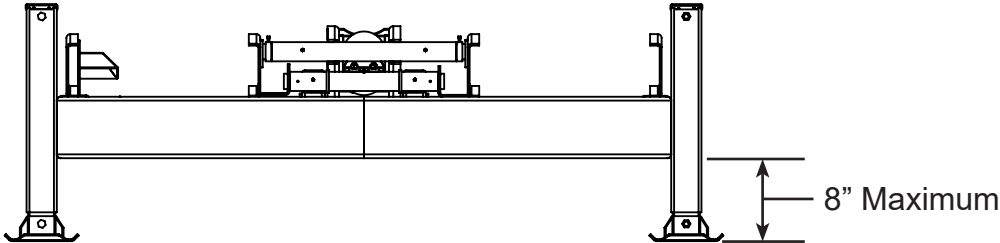
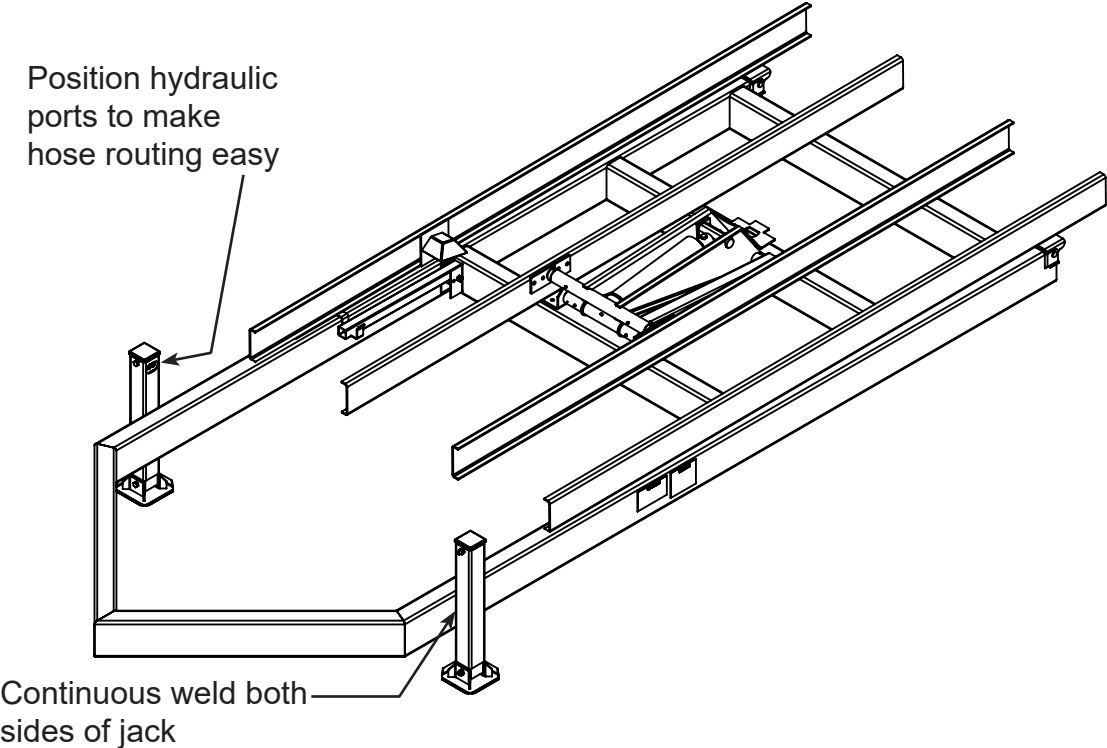
TRAILER JACK KIT

 <p>Hydraulic Power Unit</p>	 <p>Trailer Jack</p>
 <p>Rubber Battery Strap</p>	 <p>Hydraulic Hoses Between HPU and Jack</p>
 <p>Hydraulic Fittings</p>	 <p>Battery Cables</p>
 <p>Flow Divider (Dual Jack Kit Only)</p>	

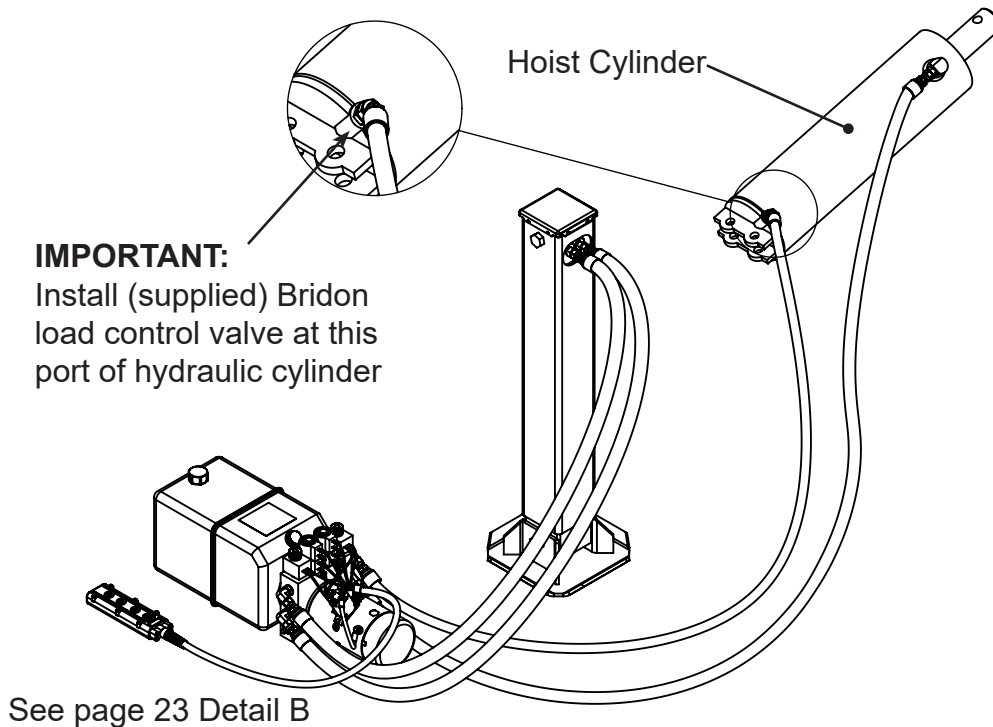
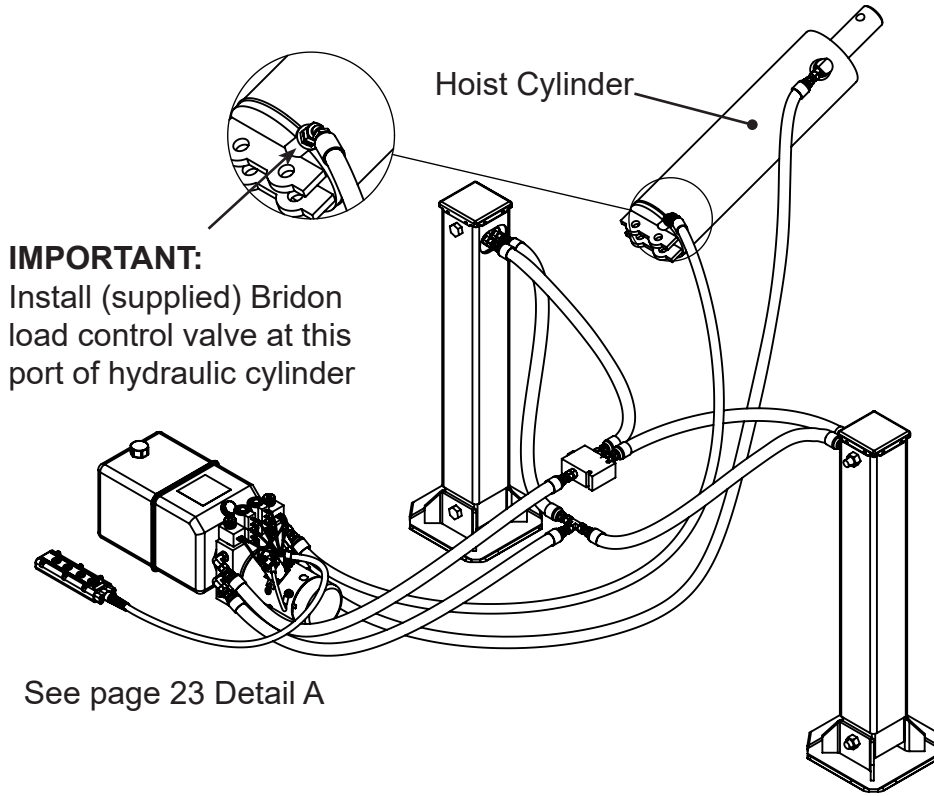
SINGLE HYDRAULIC TRAILER JACK INSTALLATION



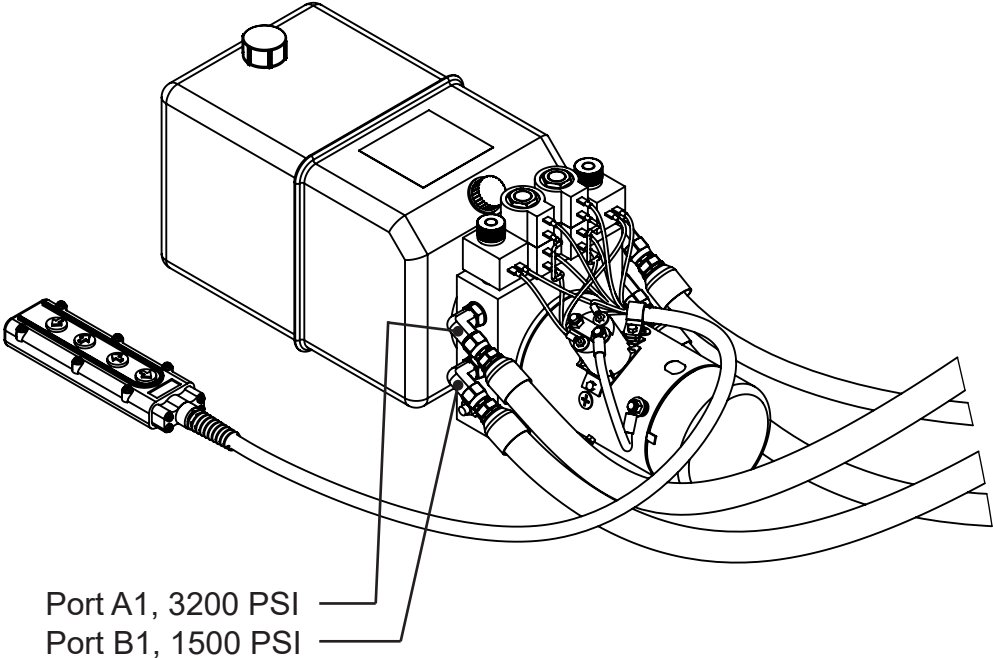
DUAL HYDRAULIC TRAILER JACK INSTALLATION



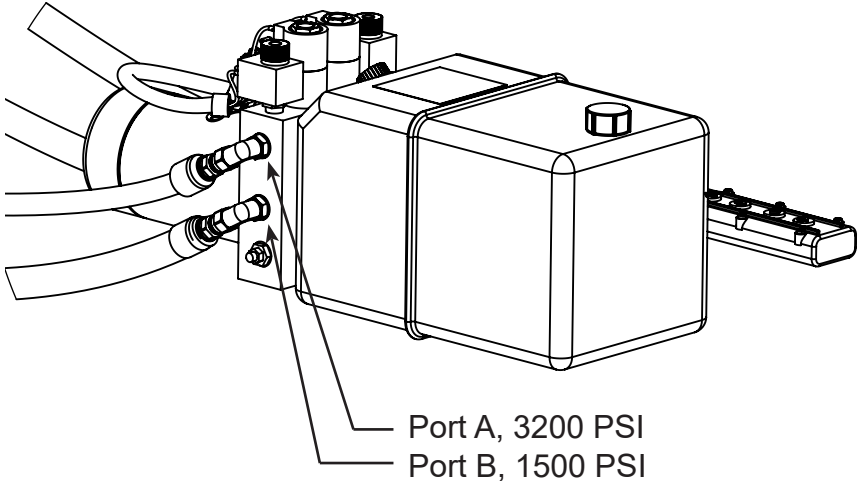
DUAL DOUBLE ACTING JACK AND HOIST HPU CONNECTIONS



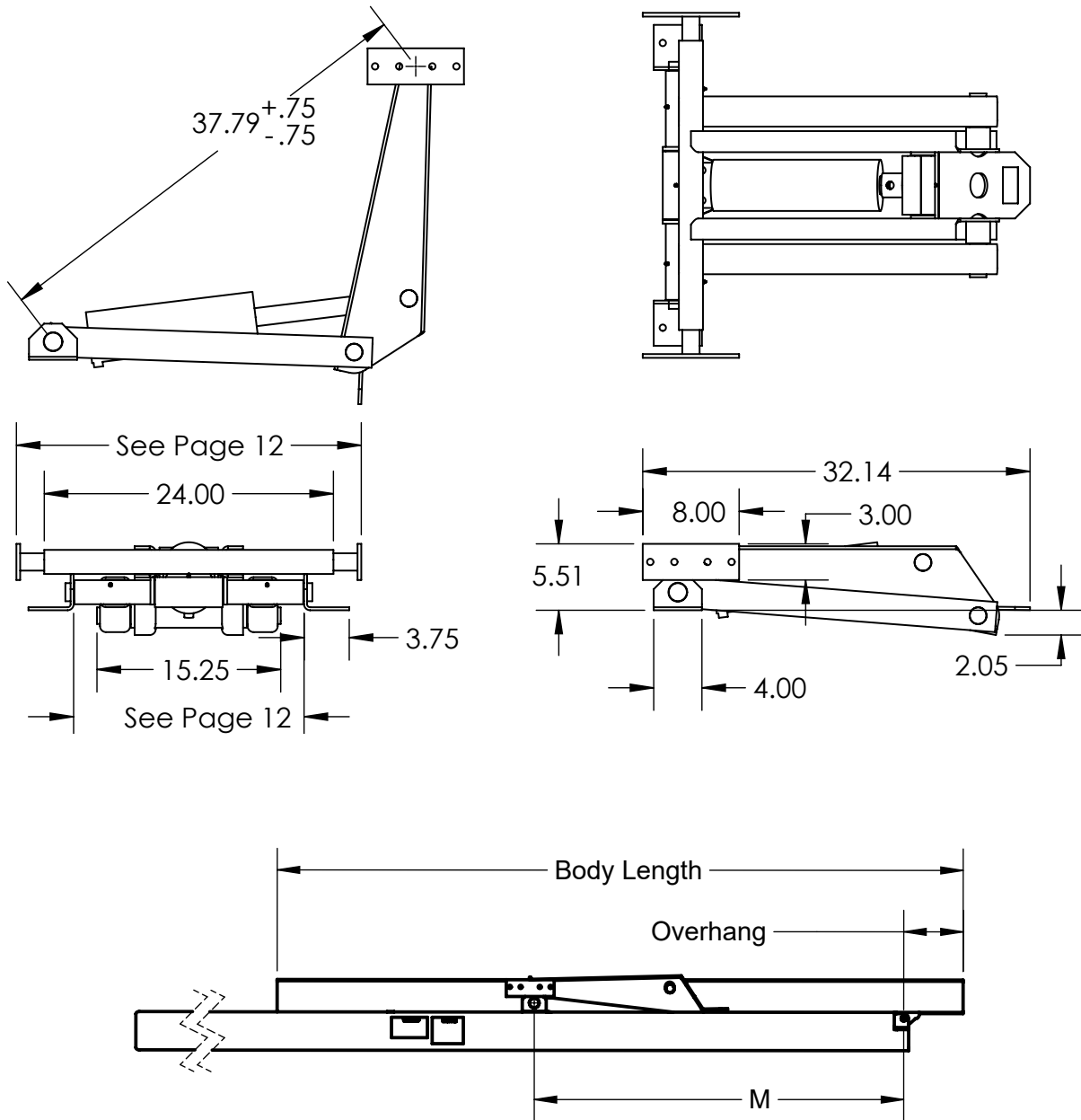
**Trailer Jack Connections
Detail A**



**Trailer Jack Connections
Detail B**



PH310 HOIST DIMENSIONS AND CAPACITY

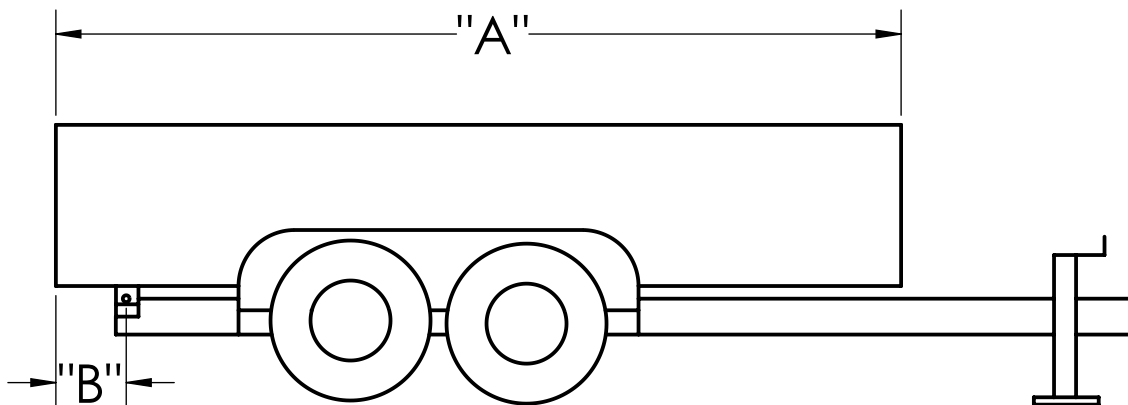


Maximum Dump Angle $\pm 2^\circ$	M
45°	52.00"
50°	47.00"

PH-310 Trailer Hoist Conversion Class A
(Capacity in Tons)

IMPORTANT: Because of variations in application, the data contained in these tables is provided as a general guide only.

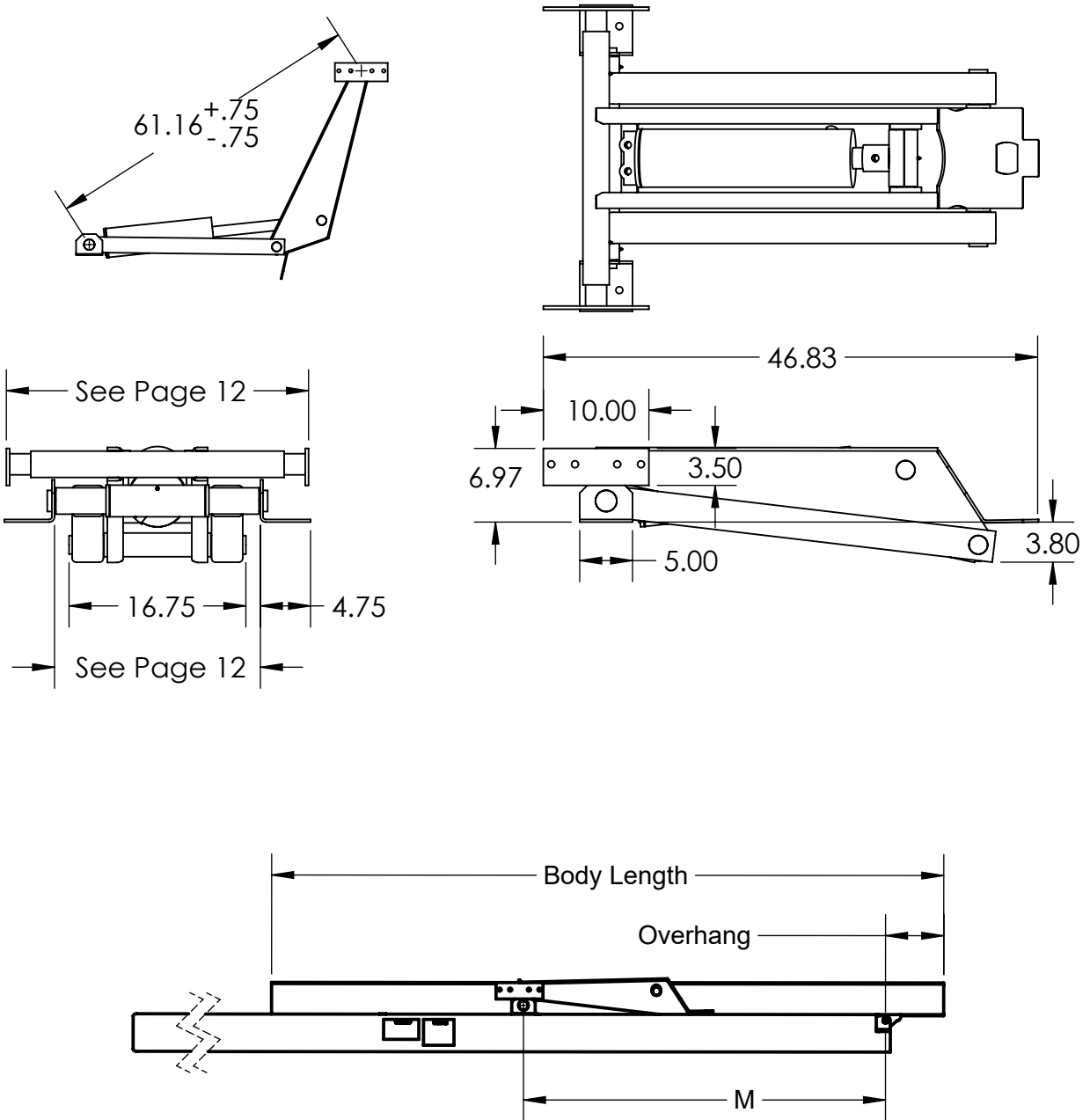
PH310 Hoist Capacity (Tons)			
"A" Body (Feet)	"B" Overhang (Inches)	Dump Angle (Degrees)	
		45°	50°
8	12	3.7	3.3
8	18	4.4	4.0
8	24	5.5	4.9
9	12	3.2	2.8
9	18	3.7	3.3
9	24	4.4	4.0
10	12	2.8	2.5
10	18	3.2	2.8
10	24	3.7	3.3



Capacities are based on the following:

1. Water level non-diminishing load.
2. The vertical height between the rear hinge pivot and the floor is no less than 3 inches.
3. The hydraulic relief pressure set at 3,200 psi.

PH416 HOIST DIMENSIONS AND CAPACITY

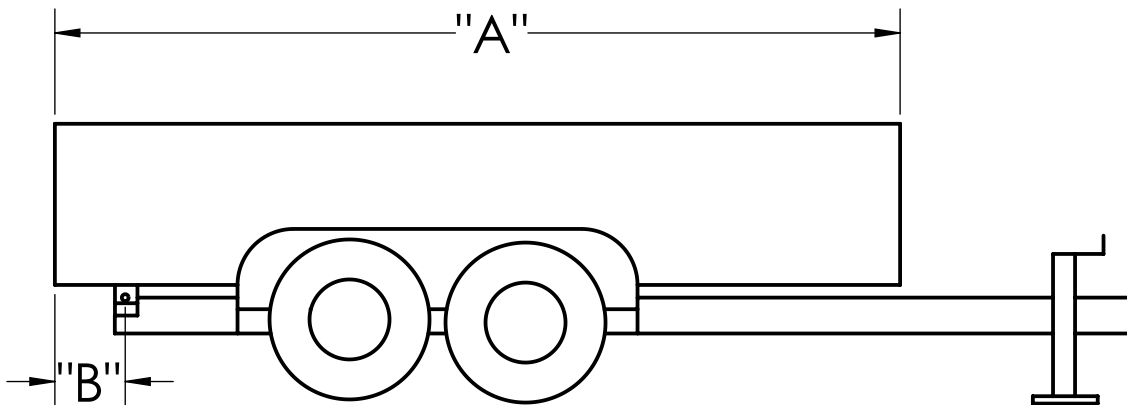


Maximum Dump Angle $\pm 2^\circ$	M
45°	75.00"
50°	68.00"

PH-416 Trailer Hoist Conversion Class A
(Capacity in Tons)

IMPORTANT: Because of variations in application, the data contained in these tables is provided as a general guide only.

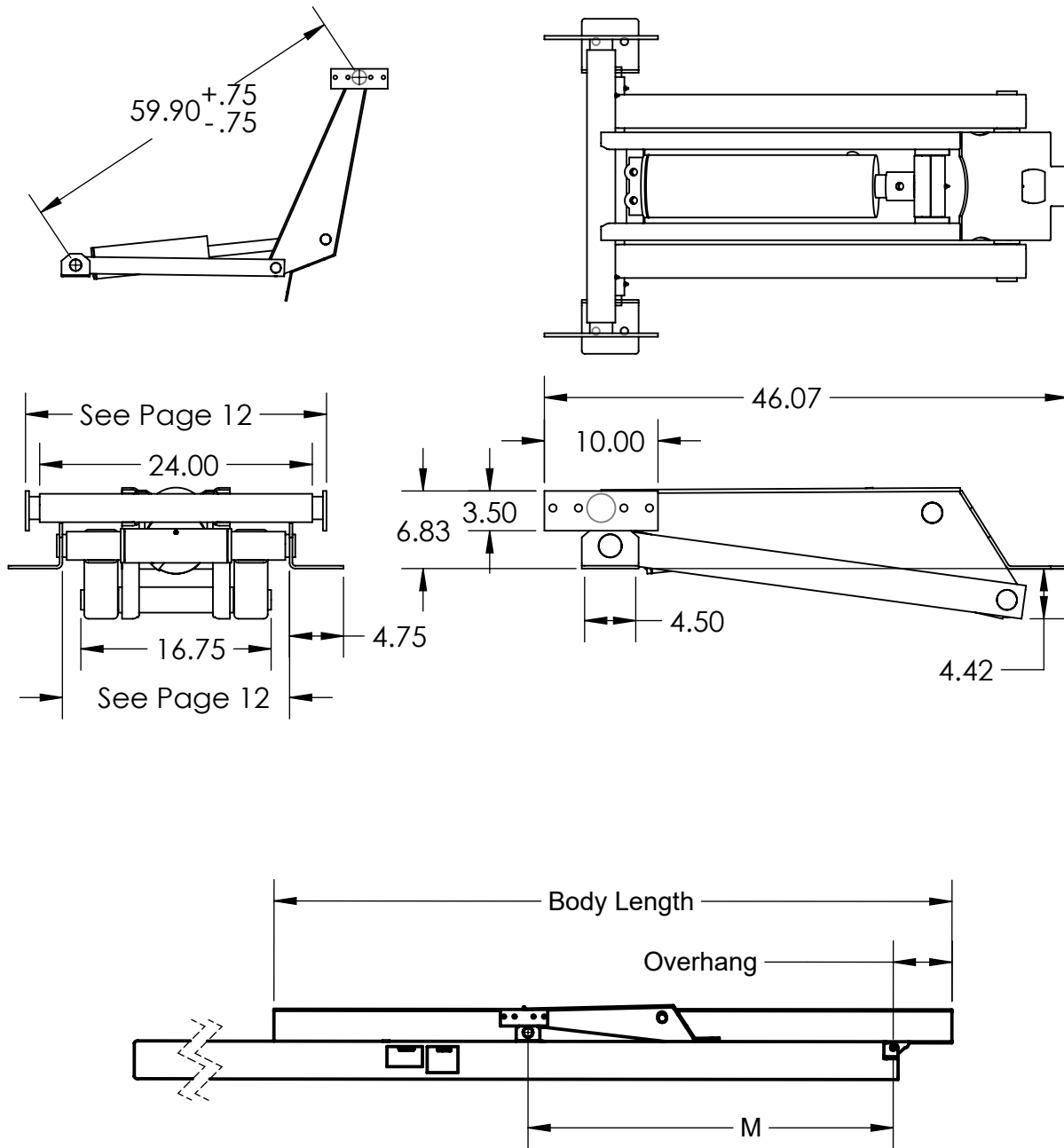
PH416 Hoist Capacity (Tons)			
"A" Body (Feet)	"B" Overhang (Inches)	Dump Angle (Degrees)	
		45°	50°
10	12	9.3	8.4
10	18	10.6	9.6
10	24	12.4	11.2
12	12	7.4	6.7
12	18	8.3	7.5
12	24	9.3	8.4
14	12	6.2	5.6
14	18	6.8	6.1
14	24	7.4	6.7



Capacities are based on the following:

1. Water level non-diminishing load.
2. The vertical height between the rear hinge pivot and the floor is no less than 3 inches.
3. The hydraulic relief pressure set at 3,200 psi.

PH516 HOIST DIMENSIONS AND CAPACITY

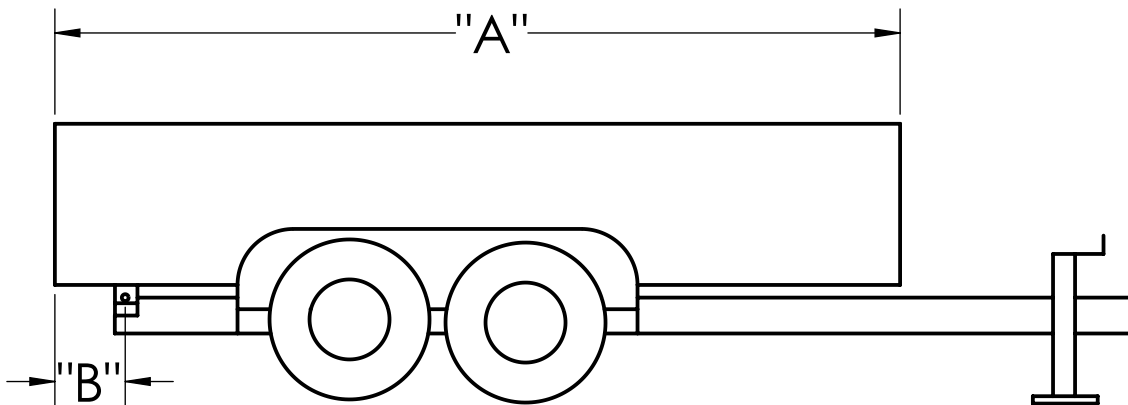


Maximum Dump Angle $\pm 2^\circ$	M
45°	73.00"
50°	66.00"

PH-516 Trailer Hoist Conversion Class A
(Capacity in Tons)

IMPORTANT: Because of variations in application, the data contained in these tables is provided as a general guide only.

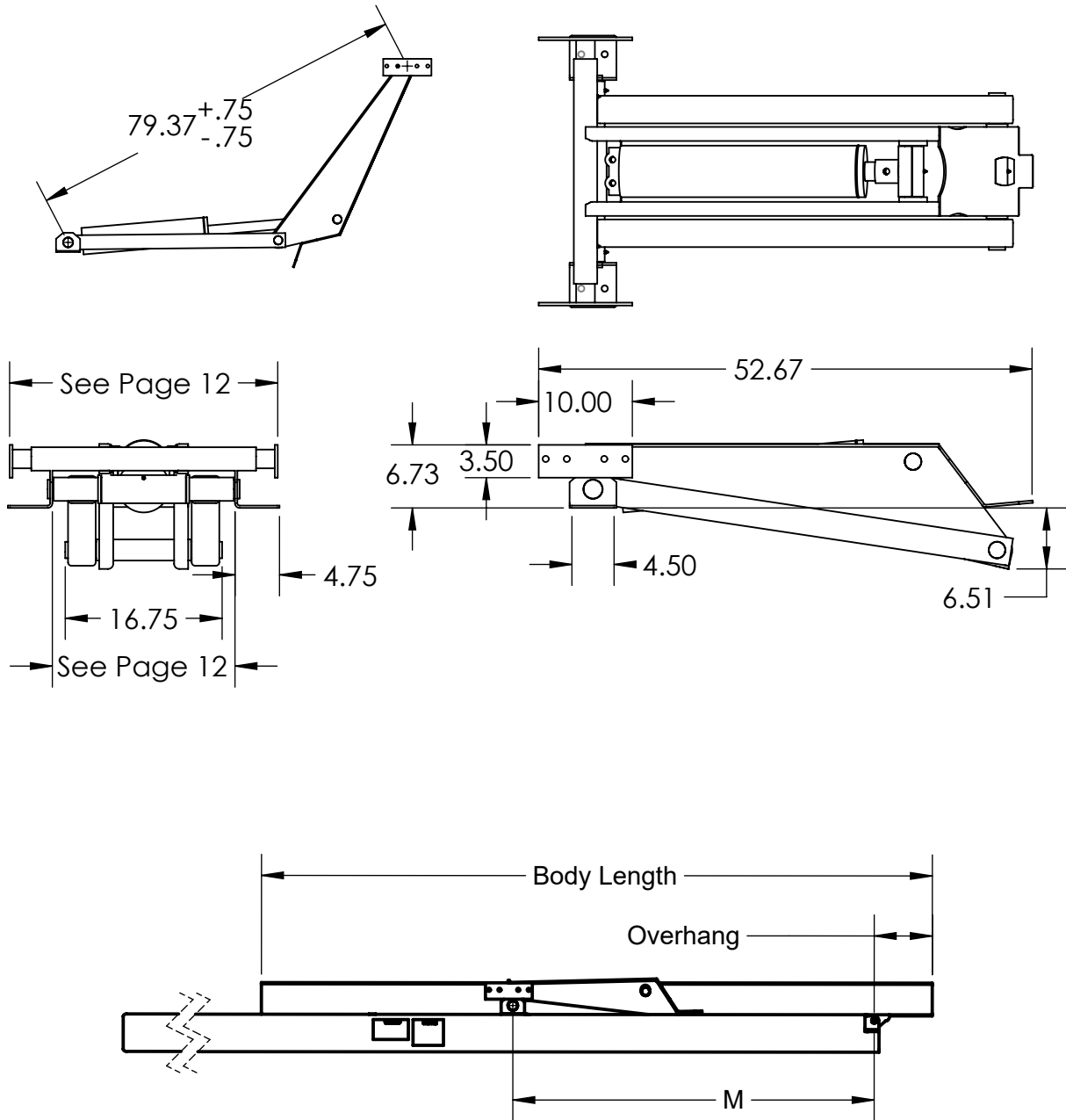
PH516 Hoist Capacity (Tons)			
"A" Body (Feet)	"B" Overhang (Inches)	Dump Angle (Degrees)	
		45°	50°
10	12	9.7	8.8
10	18	11.1	10.0
10	24	12.9	11.7
12	12	7.7	7.0
12	18	8.6	7.8
12	24	9.7	8.8
14	12	6.5	5.8
14	18	7.0	6.4
14	24	7.8	7.0



Capacities are based on the following:

1. Water level non-diminishing load.
2. The vertical height between the rear hinge pivot and the floor is no less than 3 inches.
3. The hydraulic relief pressure set at 3,200 psi.

PH520 HOIST DIMENSIONS AND CAPACITY

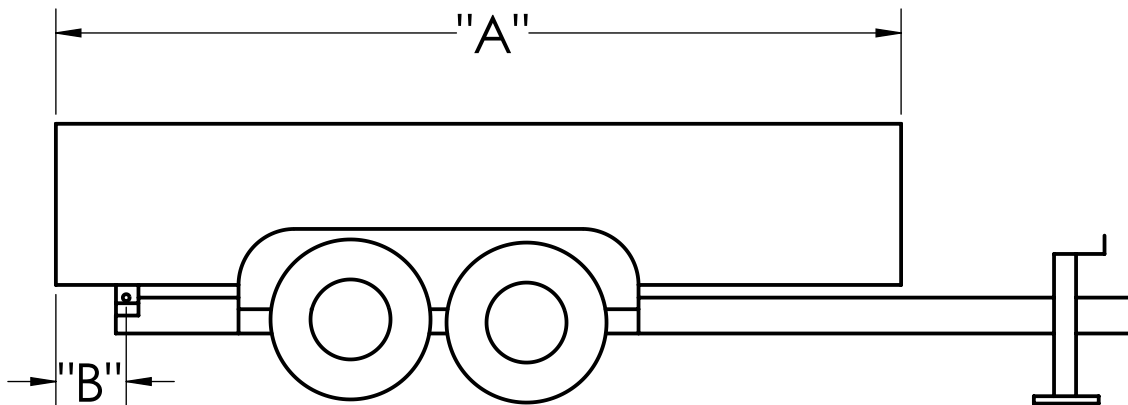


Maximum Dump Angle $\pm 2^\circ$	M
45°	97.00"
50°	88.00"

PH-520 Trailer Hoist Conversion Class A
(Capacity in Tons)

IMPORTANT: Because of variations in application, the data contained in these tables is provided as a general guide only.

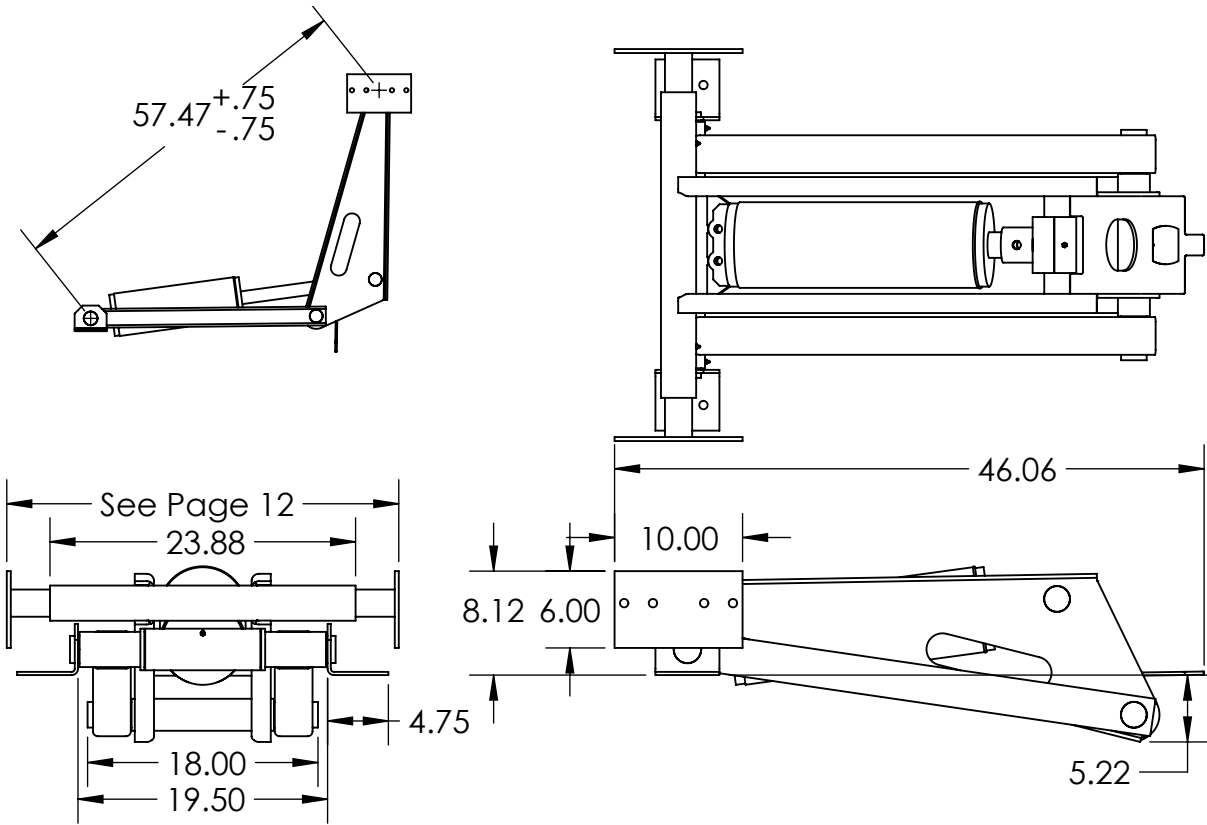
PH520 Hoist Capacity (Tons)			
"A" Body (Feet)	"B" Overhang (Inches)	Dump Angle (Degrees)	
		45°	50°
12	12	10.3	9.3
12	18	11.4	10.4
12	24	12.9	11.7
14	12	8.6	7.8
14	18	9.3	8.5
14	24	10.3	9.3
16	12	7.3	6.7
16	18	7.9	7.2
16	24	8.6	7.8



Capacities are based on the following:

1. Water level non-diminishing load.
2. The vertical height between the rear hinge pivot and the floor is no less than 3 inches.
3. The hydraulic relief pressure set at 3,200 psi.

PH616-5 & PH616-6 HOIST DIMENSIONS AND CAPACITY



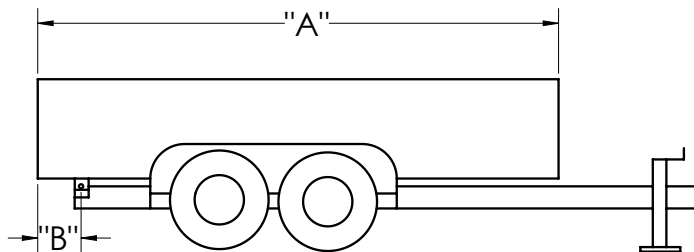
Maximum Dump Angle $\pm 2^\circ$	M
45°	70.00"
50°	63.00"

PH-616 Trailer Hoist Conversion Class A
(Capacity in Tons)

IMPORTANT: Because of variations in application, the data contained in these tables is provided as a general guide only.

PH616-5 Hoist Capacity (Tons)			
"A" Body (Feet)	"B" Overhang (Inches)	Dump Angle (Degrees)	
		45°	50°
12	12	8.7	7.8
12	18	9.7	8.7
12	24	10.9	9.8
14	12	7.2	6.5
14	18	7.9	7.1
14	24	8.7	7.8
16	12	6.2	5.6
16	18	6.7	6.0
16	24	7.2	6.5

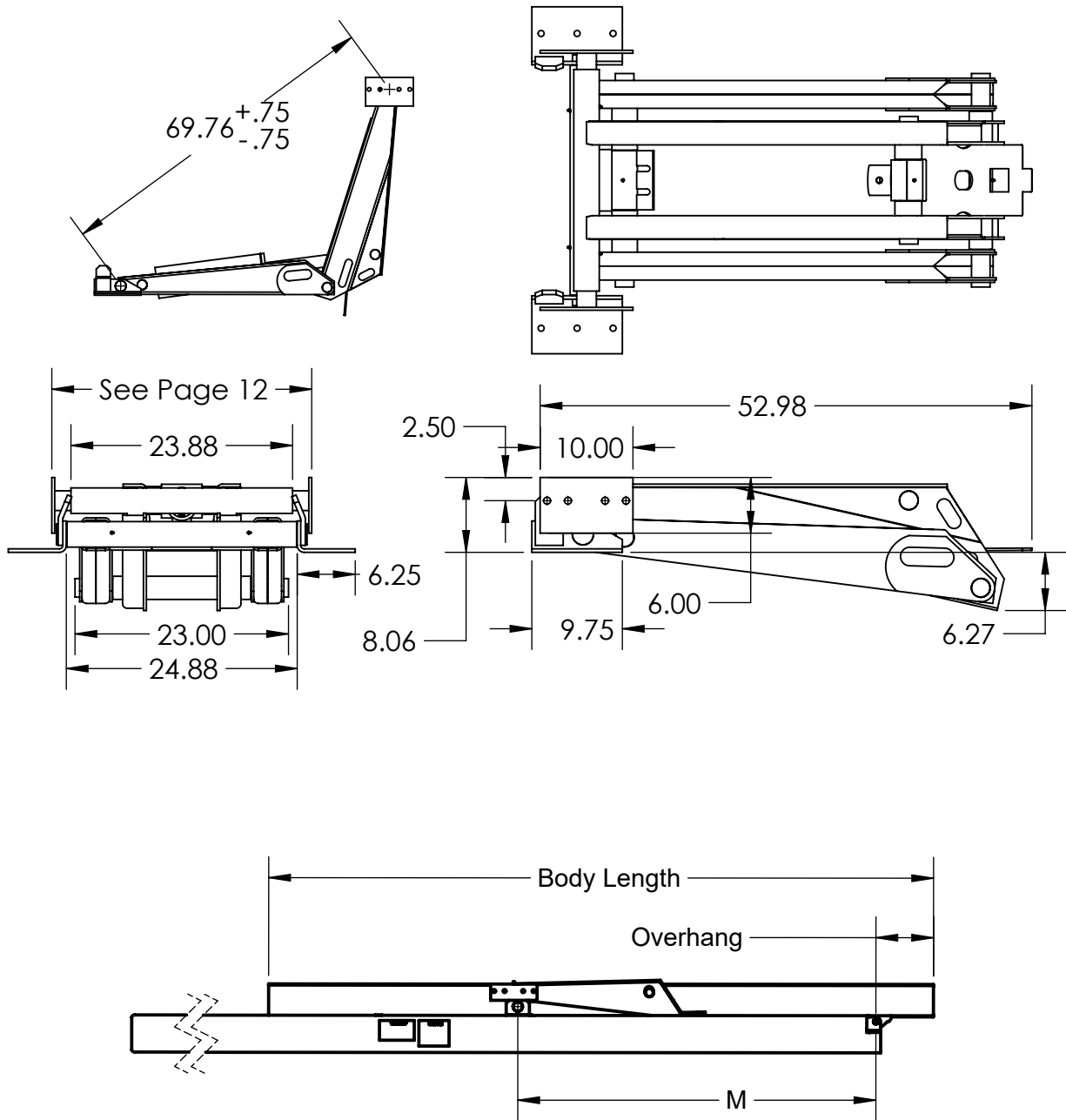
PH616-6 Hoist Capacity (Tons)			
"A" Body (Feet)	"B" Overhang (Inches)	Dump Angle (Degrees)	
		45°	50°
12	12	12.6	11.3
12	18	14.0	12.6
12	24	15.7	14.1
14	12	10.5	9.4
14	18	11.4	10.3
14	24	12.6	11.3
16	12	9.0	8.1
16	18	9.6	8.7
16	24	6.5	9.4



Capacities are based on the following:

1. Water level non-diminishing load.
2. The vertical height between the rear hinge pivot and the floor is no less than 3 inches.
3. The hydraulic relief pressure set at 3,200 psi.

PH620 HOIST DIMENSIONS AND CAPACITY

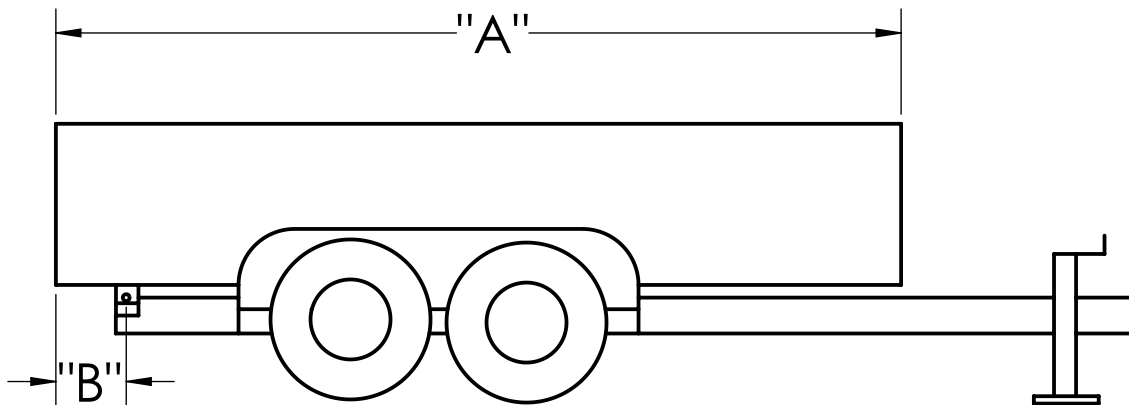


Maximum Dump Angle $\pm 2^\circ$	M
45°	87.00"
50°	78.00"

PH-620 Trailer Hoist Conversion Class A
(Capacity in Tons)

IMPORTANT: Because of variations in application, the data contained in these tables is provided as a general guide only.

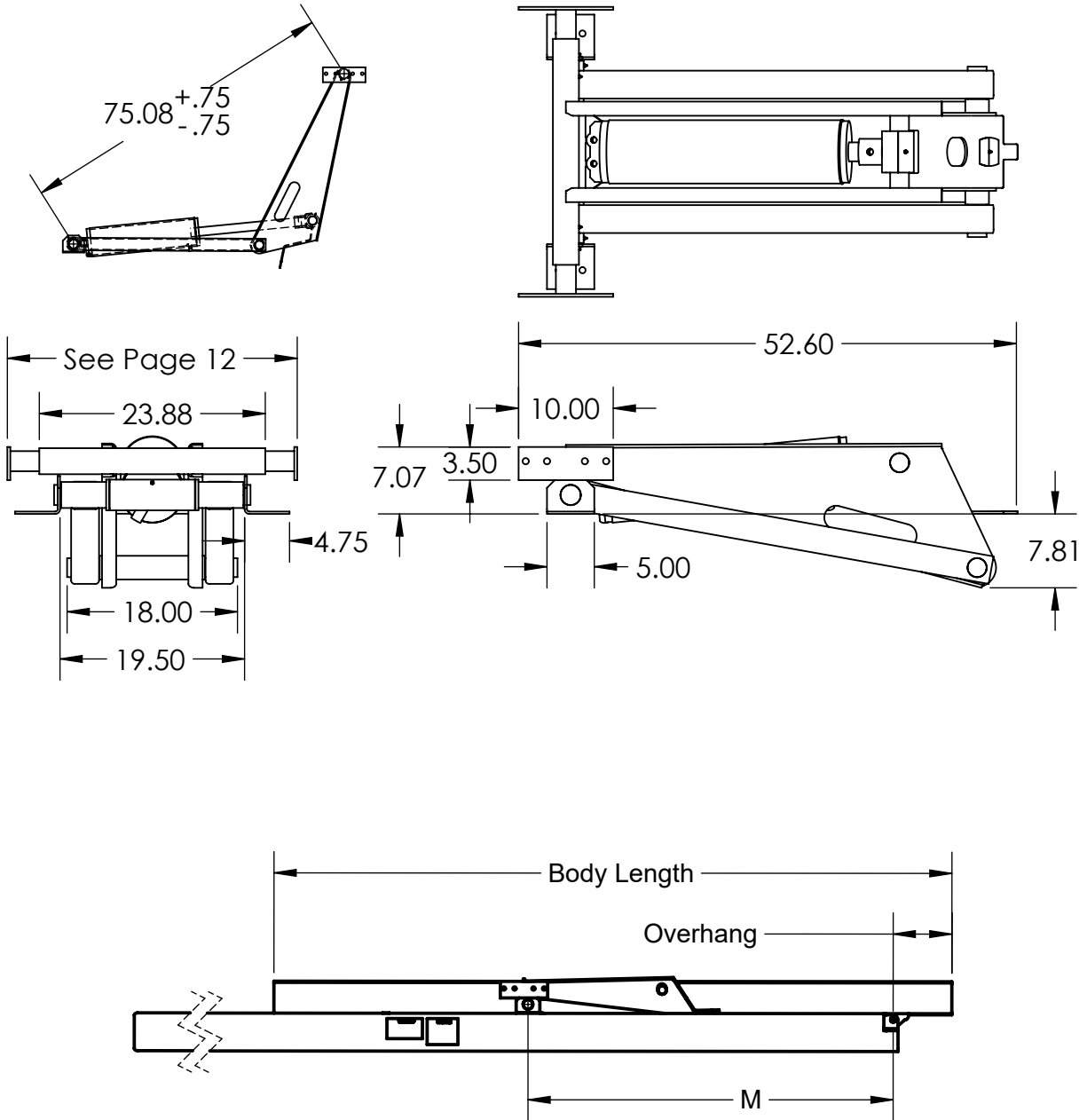
PH620 Hoist Capacity (Tons)			
"A" Body (Feet)	"B" Overhang (Inches)	Dump Angle (Degrees)	
		45°	50°
14	12	11.7	10.5
14	18	12.8	11.4
14	24	14.0	12.6
16	12	10.0	9.0
16	18	10.8	9.7
16	24	11.7	10.5
18	12	8.8	7.8
18	18	9.3	8.4
18	24	10.0	9.0



Capacities are based on the following:

1. Water level non-diminishing load.
2. The vertical height between the rear hinge pivot and the floor is no less than 3 inches.
3. The hydraulic relief pressure set at 3,200 psi.

PH621-5 & 621-6 HOIST DIMENSIONS AND CAPACITY



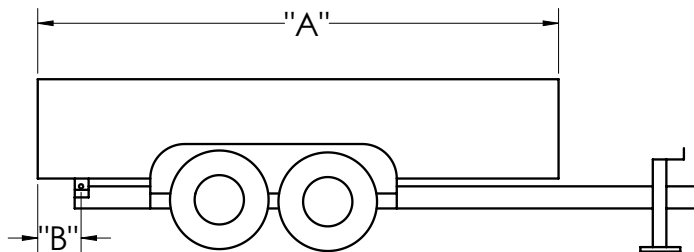
Maximum Dump Angle $\pm 2^\circ$	M
45°	93.00"
50°	84.00"

PH-621 Trailer Hoist Conversion Class A
(Capacity in Tons)

IMPORTANT: Because of variations in application, the data contained in these tables is provided as a general guide only.

PH621-5 Hoist Capacity (Tons)			
"A" Body (Feet)	"B" Overhang (Inches)	Dump Angle (Degrees)	
		45°	50°
16	12	8.3	7.5
16	18	8.9	8.0
16	24	9.6	8.7
18	12	7.2	6.5
18	18	7.7	7.0
18	24	8.3	7.5
20	12	6.4	5.8
20	18	6.8	6.1
20	24	7.2	6.5

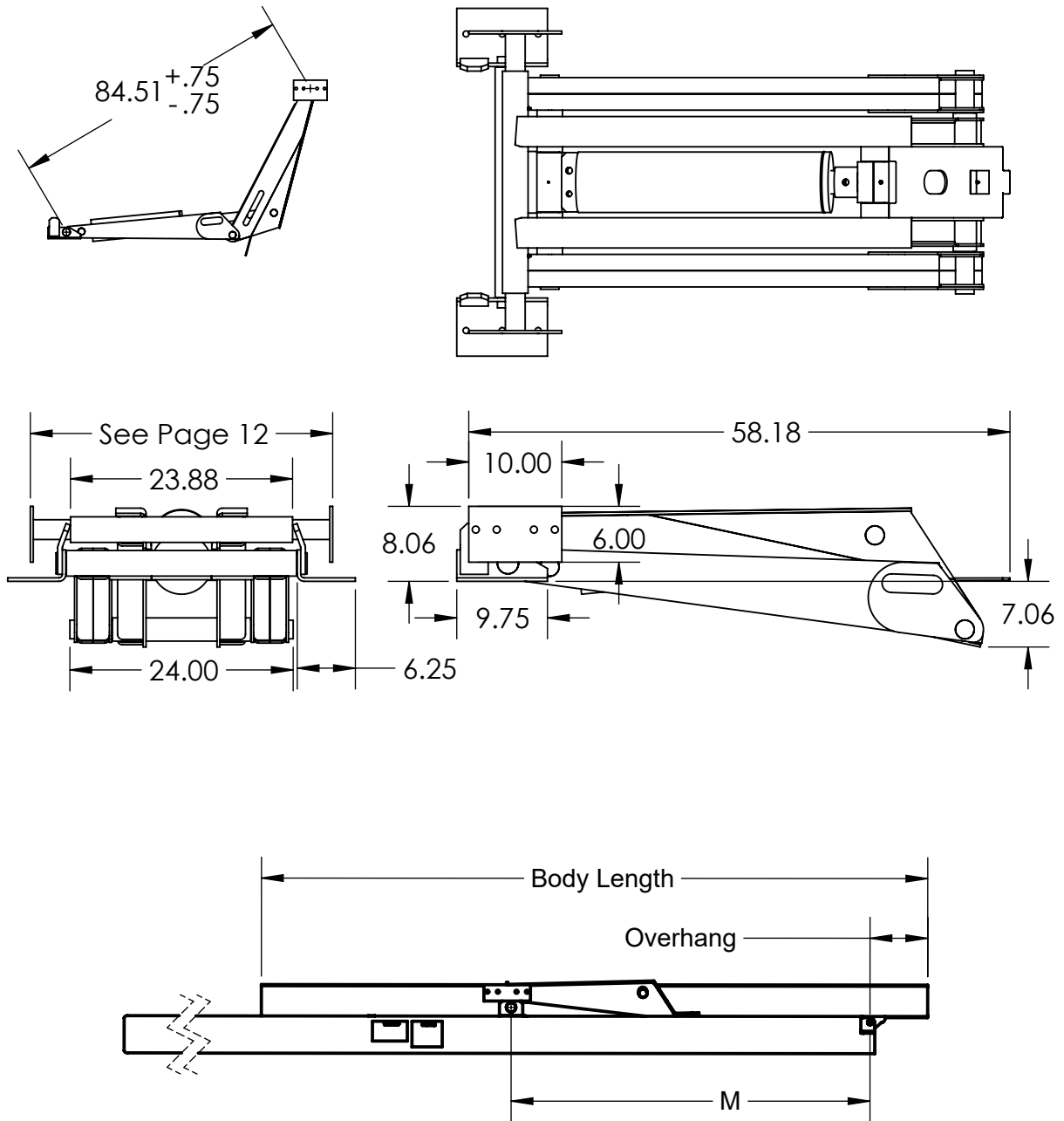
PH621-6 Hoist Capacity (Tons)			
"A" Body (Feet)	"B" Overhang (Inches)	Dump Angle (Degrees)	
		45°	50°
16	12	11.9	10.7
16	18	12.8	11.6
16	24	13.9	12.5
18	12	10.4	9.4
18	18	11.1	10.0
18	24	11.9	10.7
20	12	9.2	8.3
20	18	9.8	8.8
20	24	10.4	9.4



Capacities are based on the following:

1. Water level non-diminishing load.
2. The vertical height between the rear hinge pivot and the floor is no less than 3 inches.
3. The hydraulic relief pressure set at 3,200 psi.

PH625 HOIST DIMENSIONS AND CAPACITY

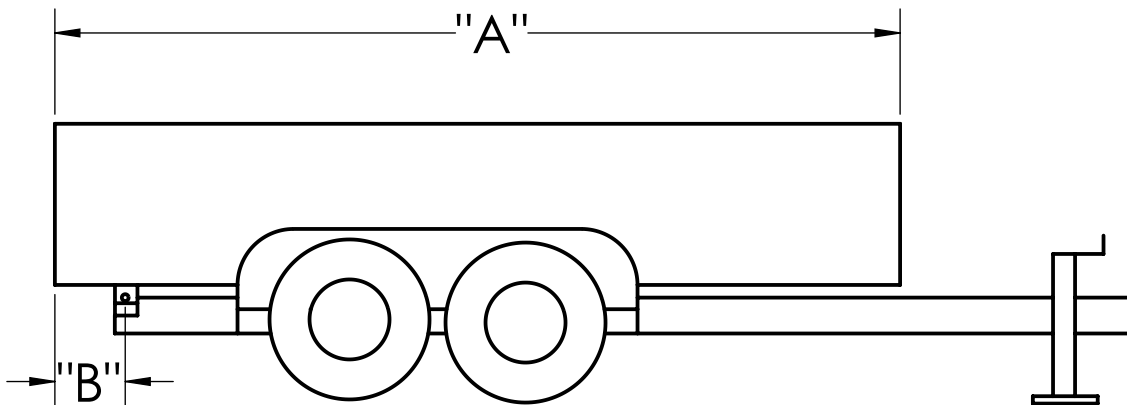


Maximum Dump Angle $\pm 2^\circ$	M
45°	105.00"
50°	95.00"

PH-625 Trailer Hoist Conversion Class A
(Capacity in Tons)

IMPORTANT: Because of variations in application, the data contained in these tables is provided as a general guide only.

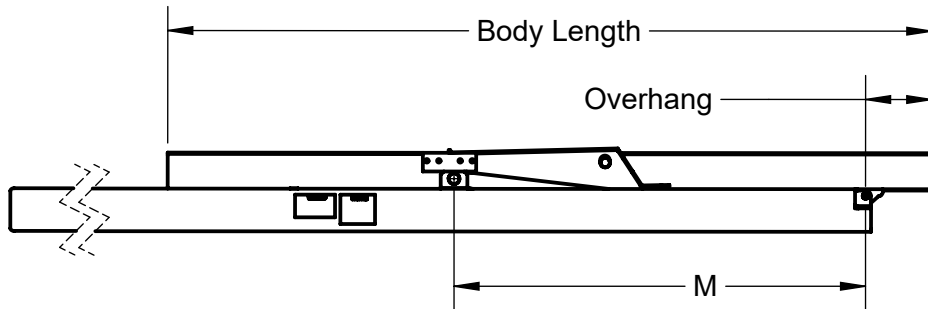
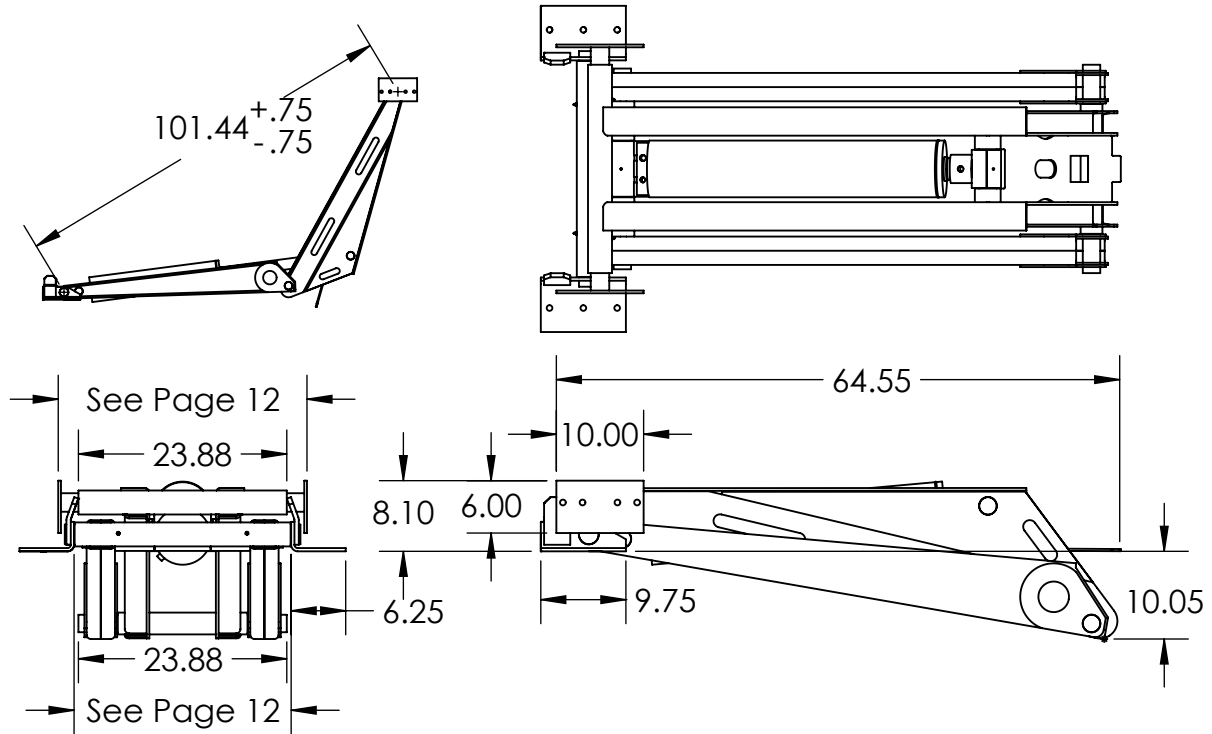
PH625 Hoist Capacity (Tons)			
"A" Body (Feet)	"B" Overhang (Inches)	Dump Angle (Degrees)	
		45°	50°
16	12	11.3	10.2
16	18	12.1	11.0
16	24	13.2	11.9
18	12	9.9	8.9
18	18	10.5	9.5
18	24	11.3	10.2
20	12	8.8	7.9
20	18	9.3	8.4
20	24	9.9	8.9



Capacities are based on the following:

1. Water level non-diminishing load.
2. The vertical height between the rear hinge pivot and the floor is no less than 3 inches.
3. The hydraulic relief pressure set at 3,200 psi.

PH630 HOIST DIMENSIONS AND CAPACITY

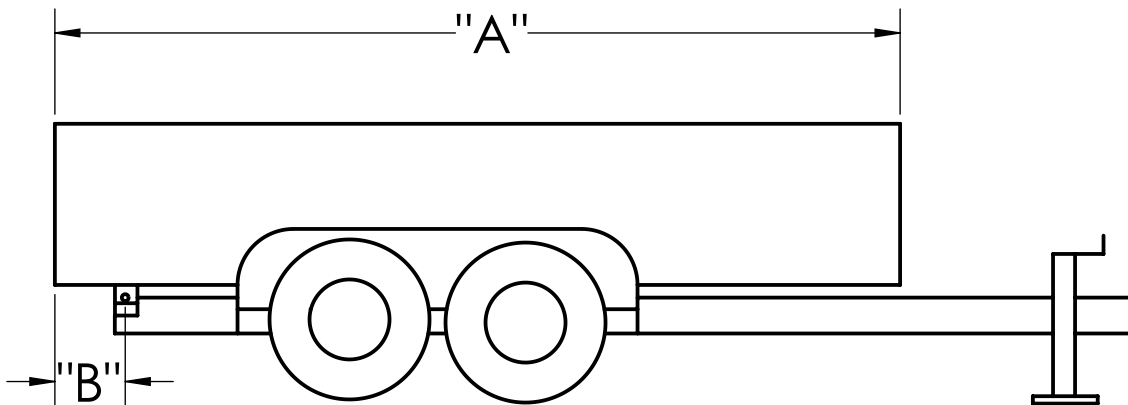


Maximum Dump Angle $\pm 2^\circ$	M
45°	128.00"
50°	116.00"

PH-630 Trailer Hoist Conversion Class A
(Capacity in Tons)

IMPORTANT: Because of variations in application, the data contained in these tables is provided as a general guide only.

PH630 Hoist Capacity (Tons)			
"A" Body (Feet)	"B" Overhang (Inches)	Dump Angle (Degrees)	
		45°	50°
18	12	13.5	12.2
18	18	14.4	13.1
18	24	15.4	14.0
20	12	12.5	10.9
20	18	12.7	11.5
20	24	13.5	12.2
24	12	9.8	8.9
24	18	10.3	9.3
24	24	10.8	9.8



Capacities are based on the following:

1. Water level non-diminishing load.
2. The vertical height between the rear hinge pivot and the floor is no less than 3 inches.
3. The hydraulic relief pressure set at 3,200 psi.