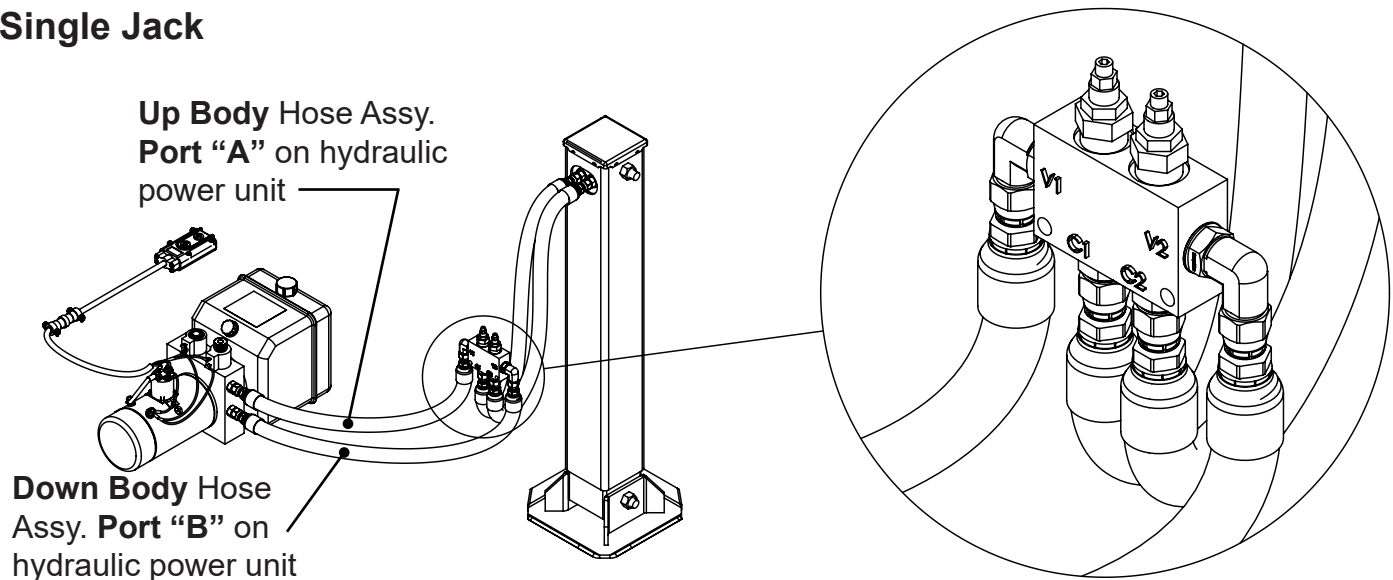


Subject: Add Counterbalance Valve Kit to Existing Trailer Jack

⚠ WARNING To safely install the counterbalance valve kit all hydraulic pressure must be released from the system and the trailer supported so all weight is removed from the trailer jack.

Installation of the counterbalance kit allows the trailer jack to stay in it's last position if a hose or fittings breaks between the counterbalance valve and supply pump.

Single Jack



Dual Jacks

