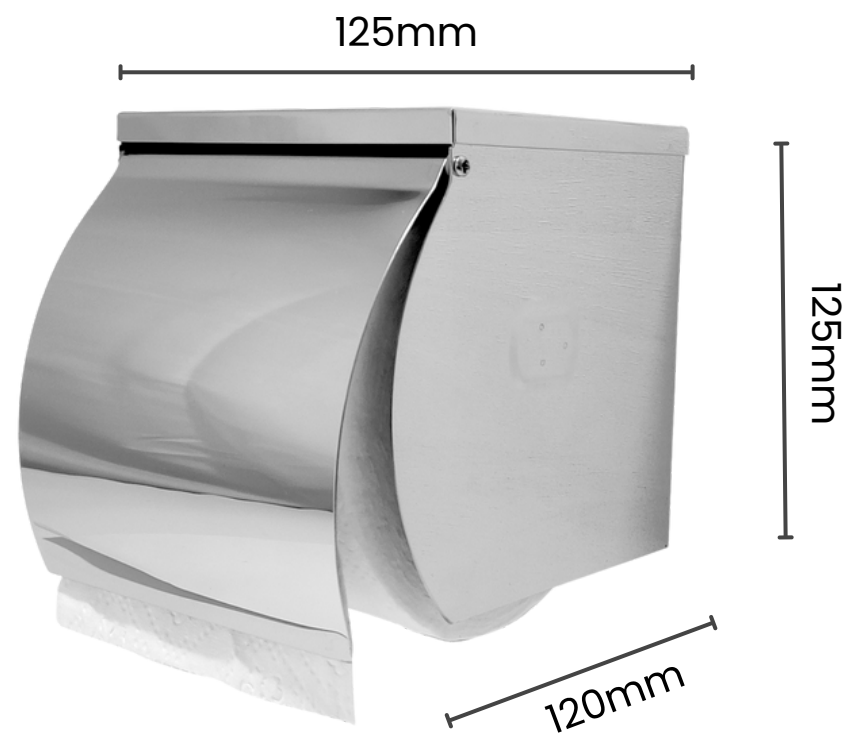


DTPR0025



Specifications

Product Name:	Stainless Steel Single Toilet Roll Holder with Shelf
Product Code:	DTPR0025
Material:	304 Stainless Steel
Colour:	Chrome Finish
Operation:	Manual
Mount Type:	Wall Mounted
Tissue Paper Type:	Single Toilet Paper Roll
Dimension:	125mm x 125mm x120mm

