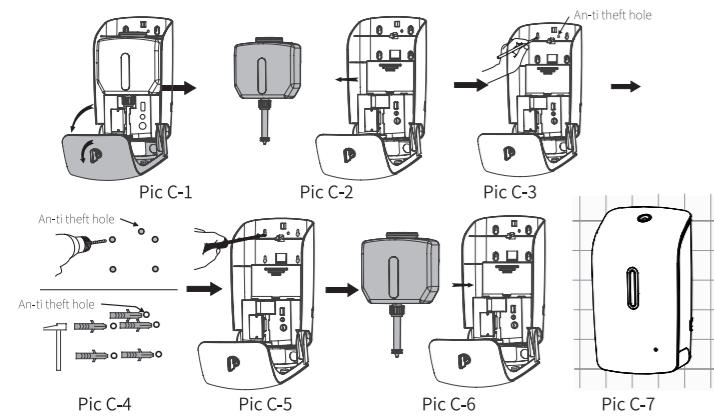


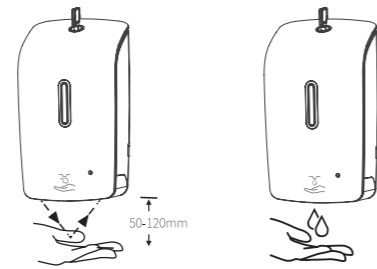
Installation – wall mount



- Install the dispenser properly with at least 40cm free space below it.
- Unlock and open the front cover, take out the soap tank. (Pic A-1~2)
 - Make the drilling marks, drill the holes and insert the plastic plugs. (Pic A-3~4)
 - Fixate the dispenser onto the wall with screws. (Pic A-5)
 - Load back the liquid tank. (Pic A-6)
 - Installation is complete. (Pic A-7)
- ※ Anti-theft hole is for installation in public places.

Operation

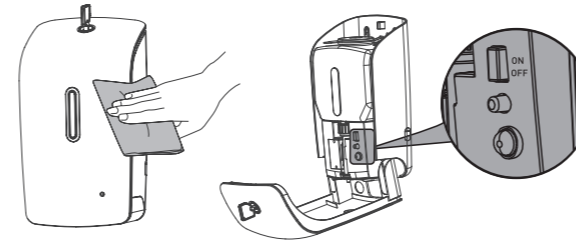
1. Insert 4 pcs C size alkaline batteries correctly, or use the AC/DC adaptor; please take out the batteries if you use AC/DC adaptor. (Pic D-1)
2. Fill in proper liquid according to your product type but do not overfill.
3. Slide the switch to ON position to turn on the power.
4. Prime the dispenser by inducing several times to let the air out before first using.
5. Approach your hands to the sensor area to activate the dispenser till the liquid comes out.
6. Low battery indicator: Red LED light will blink frequently to act as a battery-changing reminder.



※ ATTENTION: The sensor has no reaction on dark or black objects.

Maintenance

1. The product is for indoor use only and please place it in cool place to avoid direct sunlight or heat.
2. Pleases use dry towel to clean the unit.
3. This is not a waterproof product and do not install it in high humidity places such as shower room.



Safety Caution

Ignoring or misunderstanding these signs will result in the following two situations:

	Warning	This sign indicates "may cause personal injury"
	Attention	This sign indicates "may cause damage to the product"
	Prohibited	
	Mandatory	
	Do not disassemble without permission	
	Keep away from fire	

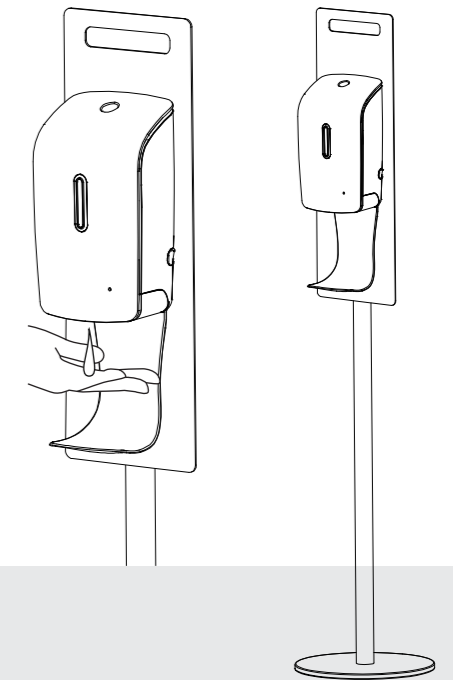
Attention	
	Do not expose the unit to direct sunlight to avoid deformation.
	Do not use the product rudely.
	Please take out the batteries and empty the tank when in long-term unused condition.
	Please clean the unit regularly.
	Do not clean the unit with water.
	Do not intentionally break or crash the unit.
	Do not clean the unit with strong corrosive chemical solvent. -Will cause surface damage or deformation.
	Do not let the dust into the liquid tank. -May block the tube and need to replace the liquid and clean the tank.
	Do not disassemble, repair or transform without permission. -Will cause breakdown. Please consult the purchase store or customer service for repair issue.
	Do not fill in corrosive chemicals.
	Keep away from fire.



DSDR0054 USER MANUAL

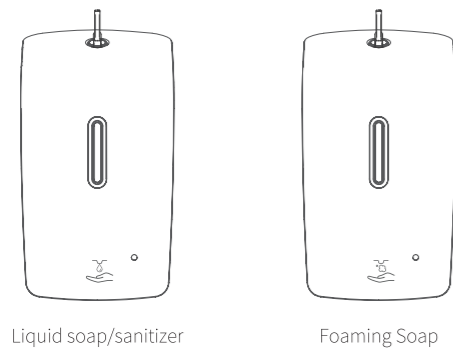
Dolphy Australia
The sign of quality

Automatic Soap Dispenser



Please read user manual carefully before using.

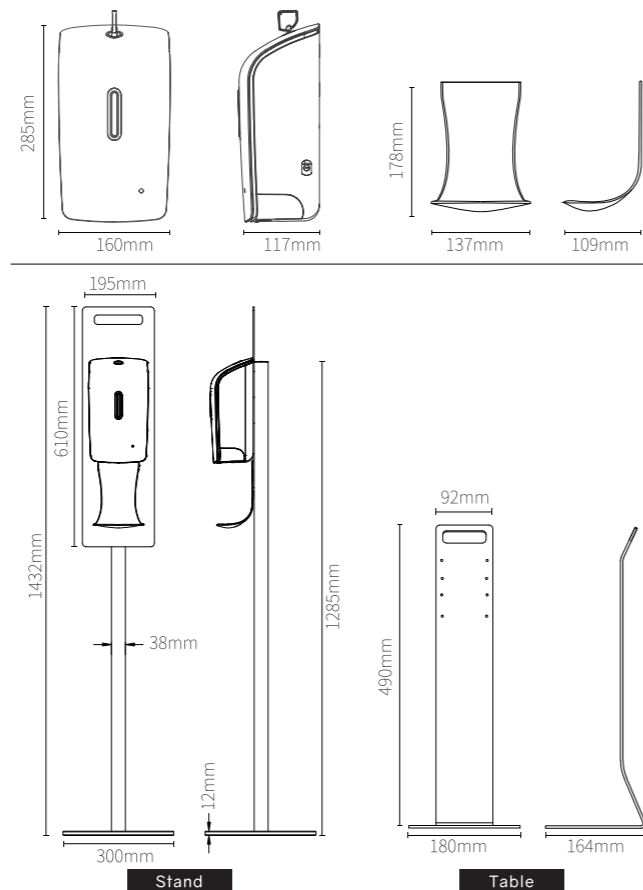
This item has two different liquid output with three installation options. Please refer to the instructions below for your purchased one.



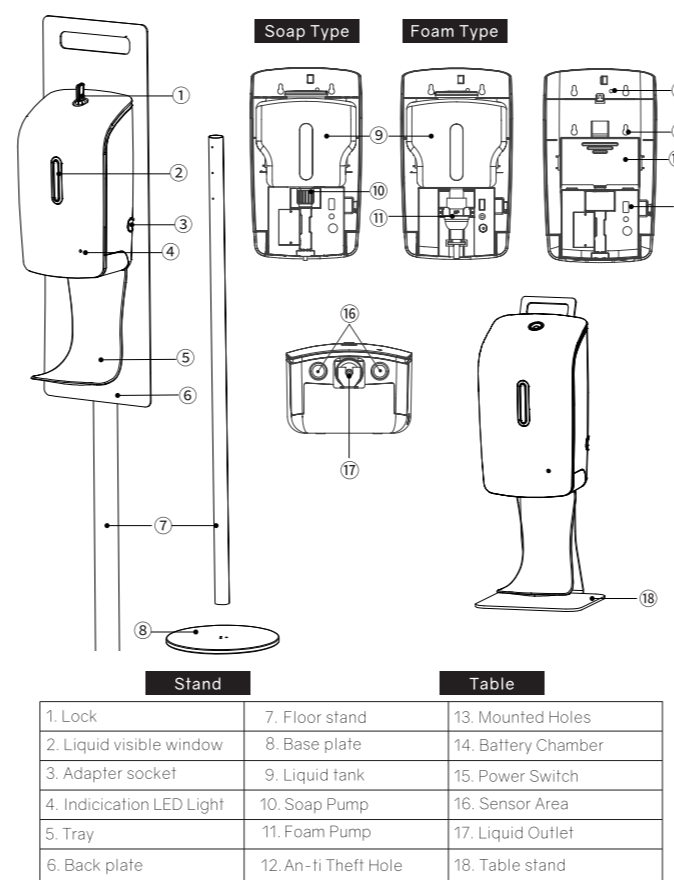
Specification

Product	Automatic Liquid Soap Dispenser	Automatic Foaming Soap Dispenser
Suitable Liquid	Liquid concentration ≤1000mpa.s	Foaming liquid
Liquid Outlet Type	Liquid	Foam
Liquid Outlet Volume	1ml	0.25ml
Sensor Type	Infrared Sensor	
Sensor Range	50-120mm	
Materials	ABS	
Capacity	1000ml	
Power Supply	<ul style="list-style-type: none"> ● A: 4 pcs C size alkaline batteries (not included) ● B: AC/DC adaptor (not included but optional) 	

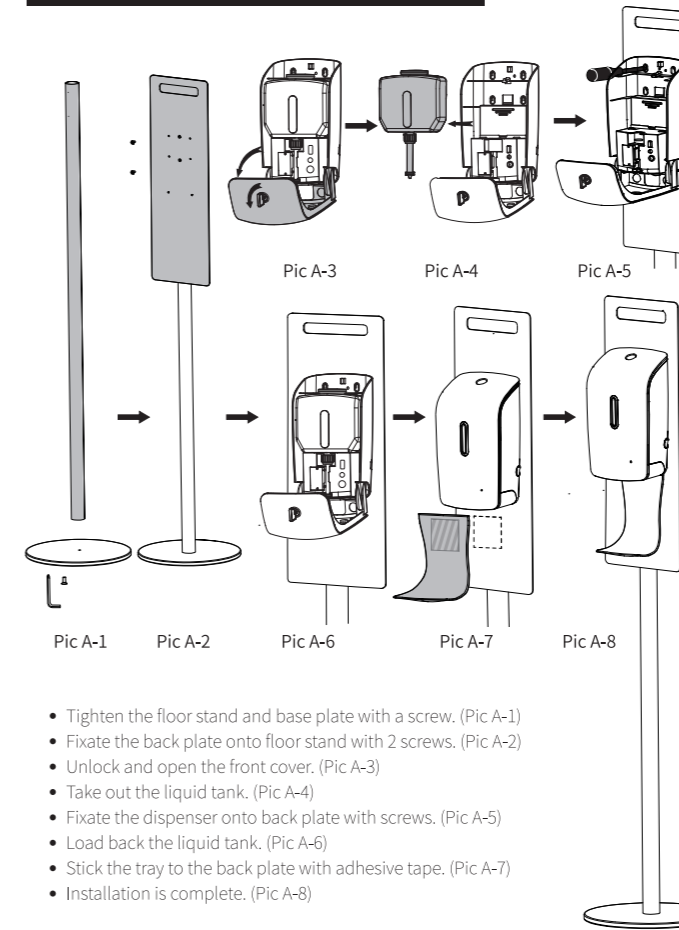
Unit Dimension



Parts List

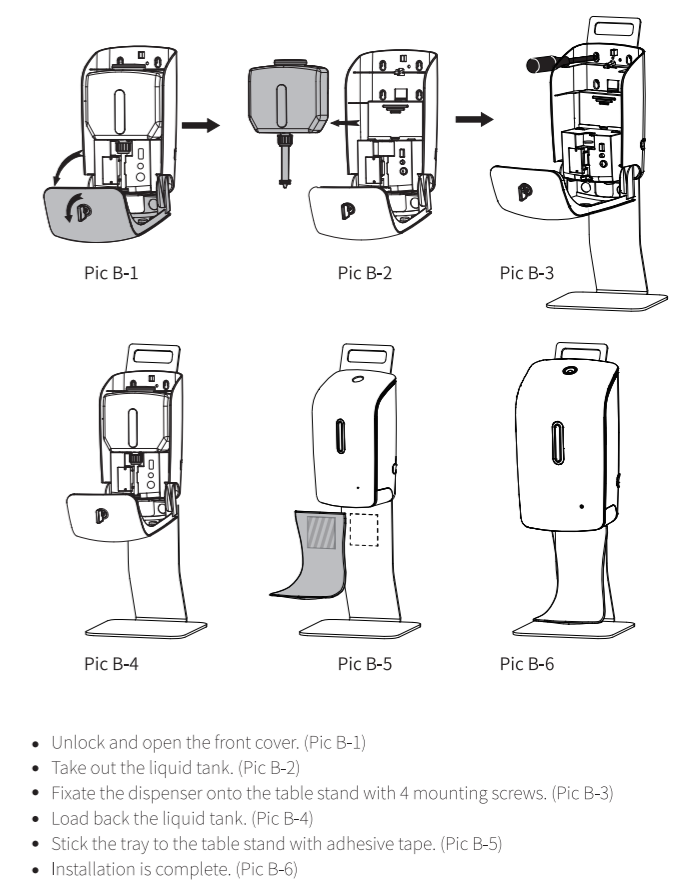


Installation – floor stand



- Tighten the floor stand and base plate with a screw. (Pic A-1)
- Fixate the back plate onto floor stand with 2 screws. (Pic A-2)
- Unlock and open the front cover. (Pic A-3)
- Take out the liquid tank. (Pic A-4)
- Fixate the dispenser onto back plate with screws. (Pic A-5)
- Load back the liquid tank. (Pic A-6)
- Stick the tray to the back plate with adhesive tape. (Pic A-7)
- Installation is complete. (Pic A-8)

Installation – table stand



- Unlock and open the front cover. (Pic B-1)
- Take out the liquid tank. (Pic B-2)
- Fixate the dispenser onto the table stand with 4 mounting screws. (Pic B-3)
- Load back the liquid tank. (Pic B-4)
- Stick the tray to the table stand with adhesive tape. (Pic B-5)
- Installation is complete. (Pic B-6)