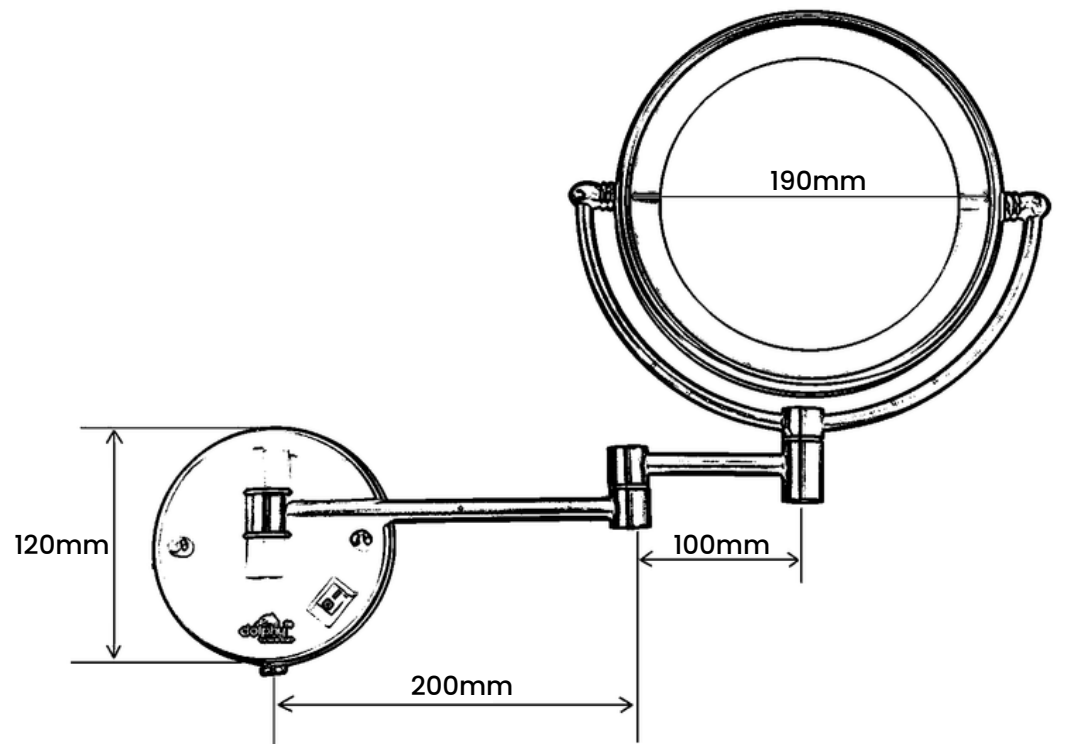


# DMMR0032



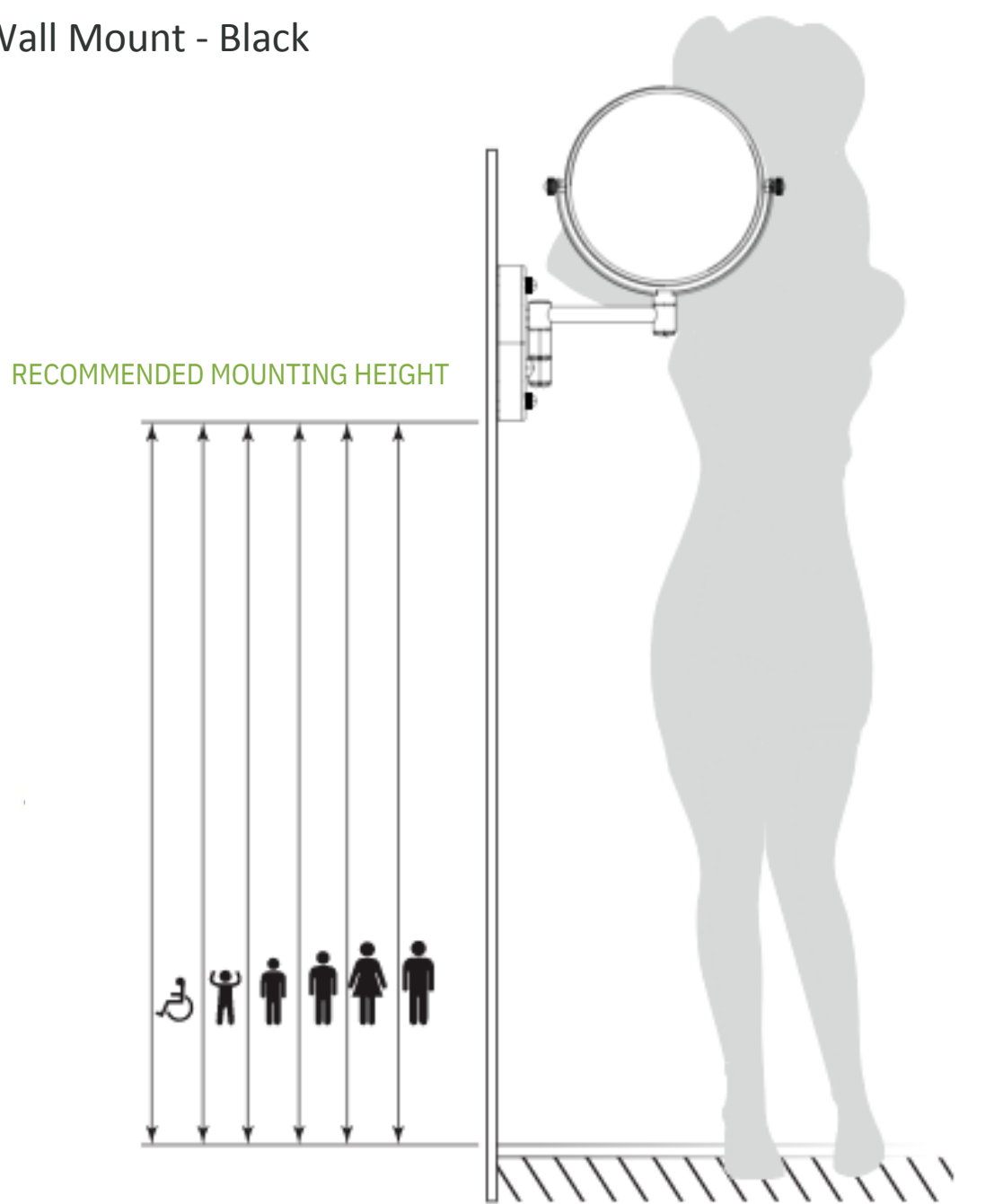
## Specifications

- Product Name: 5X LED Magnifying Mirror Wall Mount - Black
- Product Code: DMMR0032
- Colour: Matte Black
- Material: Chrome Plated Brass
- Design: Swivel
- Mount Type: Wall mounted
- Accessible: 360 Degrees
- Watt: 2.5
- Dual Side: 5x And 1x Magnification
- Lighted: White LED Light Mirror
- Weight: 1200 grams (Unboxed)  
1380 grams (Boxed)
- Features: ON/OFF Rotary Knob
- Also available in Silver Finish

Also available in Silver finish



Product Code:DMMR0009



All dimensions are in mm