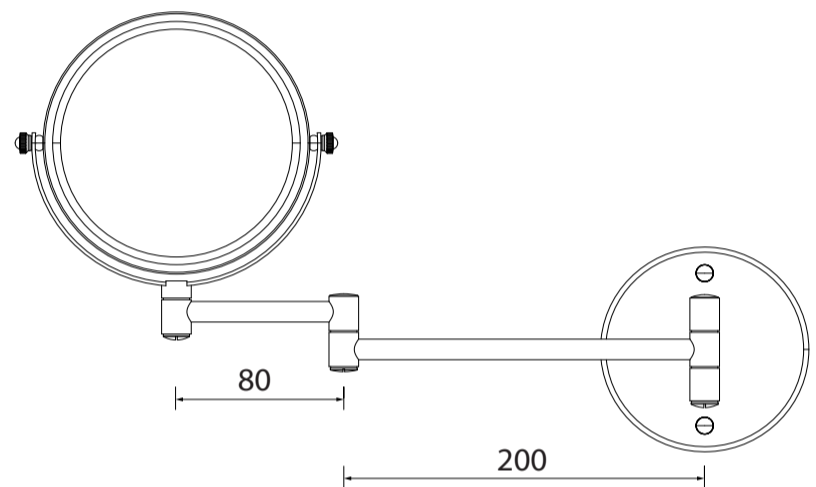
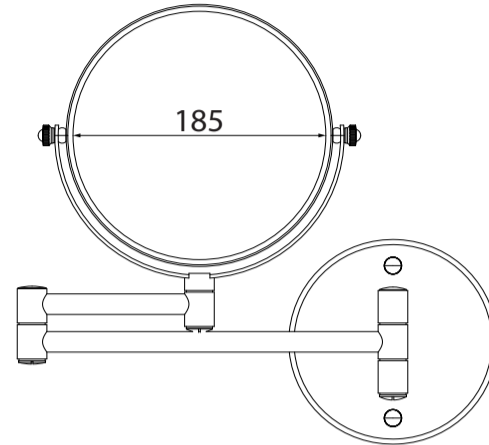


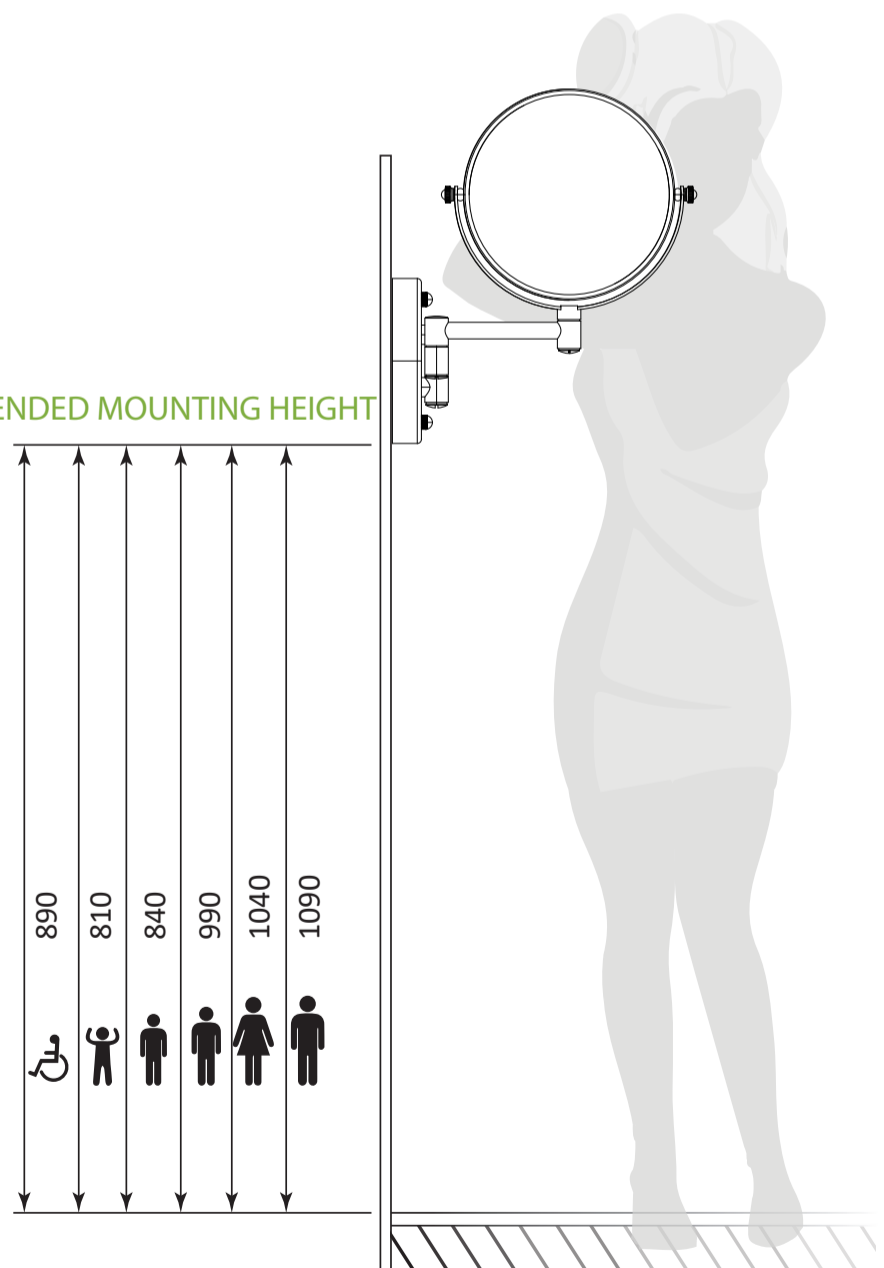
DMMR0001



Specifications

| | |
|--------------|---|
| Product Name | 5X Magnifying Mirror |
| Product Code | DMMR0001 |
| Material | Chrome Plated Brass |
| Design | Swivel |
| Accessible | 360 Degree |
| Colour | Chrome Finish |
| Fitting | Wall Mounted |
| Weight | 850 grams (Unboxed) 1000 grams (Boxed) |

RECOMMENDED MOUNTING HEIGHT



All dimensions are in mm