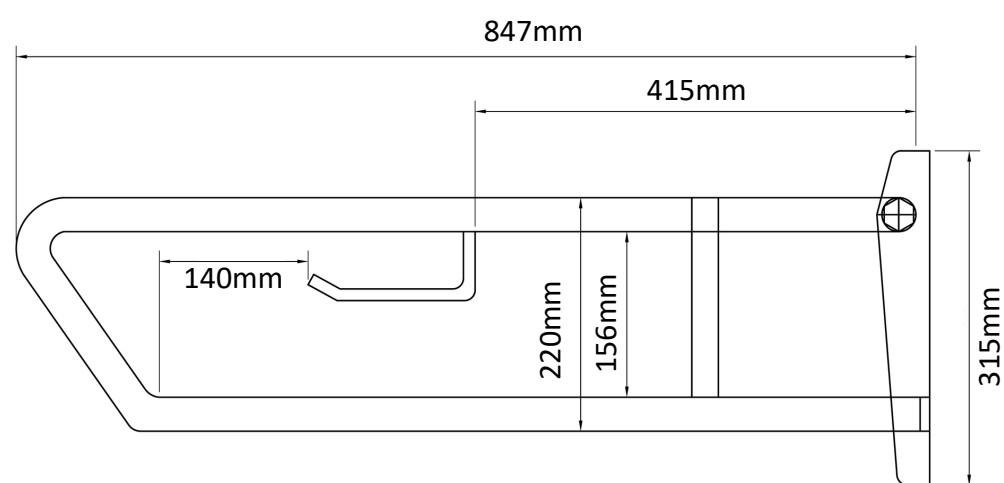
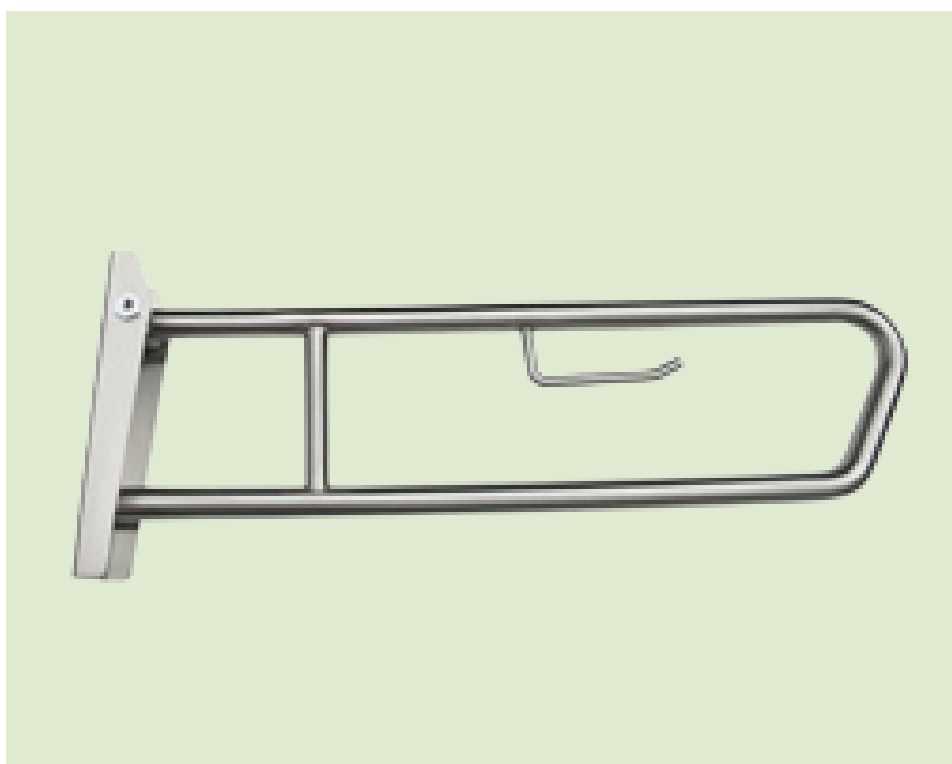


DHGB0036



Specifications

Product Name:	Grab Rail Pull Down with Toilet Roll Holder
Product Code:	DHGB0036
Material:	#304 Stainless Steel
Finish:	Satin Stainless Steel
Color:	Silver
Tubing:	1.2mm #304 Stainless Steel - 32mmØ
Mounting Bracket & Brace:	2.5mm Formed
Overall Dimension:	850mm L x 315mm H
Grab Rail:	215mm H from outer edge to edge
Toilet Roll Holder:	12.5mmØ Stainless Steel Bar 168mm L with top of Holder 50mm below underside of upper rail
Mounting Bracket:	104mm W x 315mm H x 30~50mm D x 2.5mm T
Mounting Holes:	7 off by 8mmØ
Features:	Unit is Seamless Welded & Polished