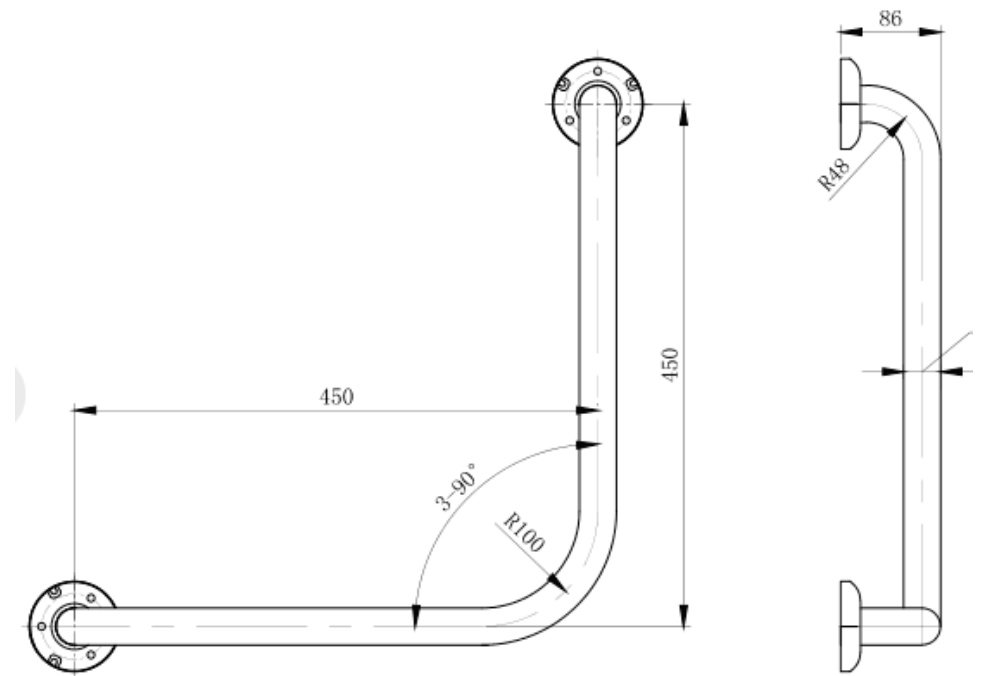


## DHGB0035



### Specifications

Product Name: Grab Rail 90° Ambulant  
 Product Code: DHGB0035  
 Material: #304 Stainless Steel  
 Finish: Satin Stainless Steel  
 Color: Silver  
 Mounting: Concealed Fix - 78mmØ Mount  
 Dimension: 450mm x 450 mm

