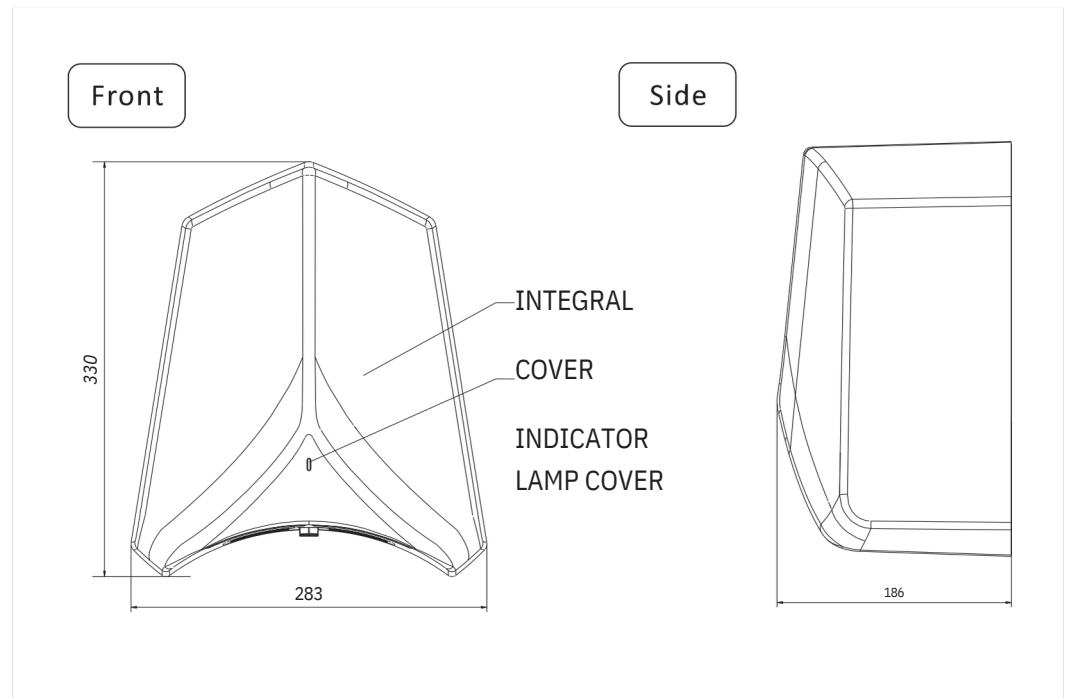


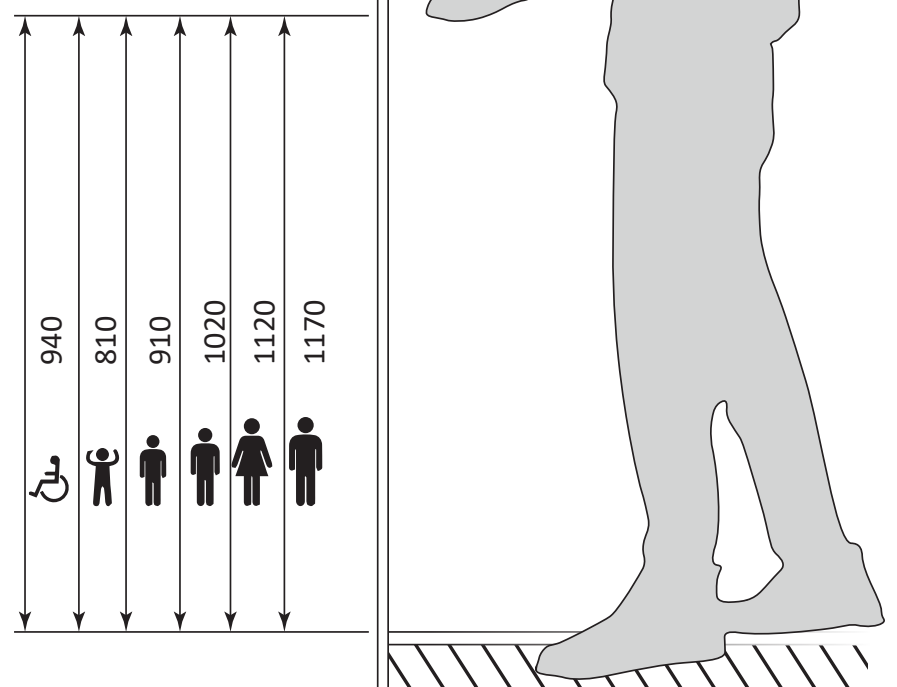
DAHD0065



Specifications

Product Name:	ADGE Hand Dryer – SILVER
Product Code:	DAHD0065
Colour:	Silver
Filter:	HEPA Filter
Material:	High Grade ABS
Voltage:	AC220-240V / AC110-127V, 50/60Hz
Power:	1100 W
Air Speed:	90 m/s
Air Temperature:	65 ± 15°C
Noise level:	65 - 70 db(A)
Motor Speed:	25000 r/min
Drying time:	<12 s
Water Splash Proof:	IPX1
Warranty:	5 years warranty

RECOMMENDED MOUNTING HEIGHT



All dimensions are in mm

Also available in
Black colour



Product Code

DAHD0064