



DAHD0065

# USER MANUAL



Taste for excellence, Drow REMARKABLE, combining the arts in PRACTICALLIFE, in every one where rounded arc. People to cast aside the shackles of THINGS for our body and mind, always ACCOMPANIED by the natural new mirror to obtain stretch.

# Security Instruction





To prevent damage for you and others, we list follow security matters, pls be sure to comply with it.

Pls see all kinds of meaning of marks as follows.

- Ignore and understanding by mistake ,will produce follow two situations.

 <b>Waring</b>	The marks means: "Maybe cause to serious injury or death."
 <b>Pay attention</b>	The marks means:"Maybe cause to personal injury or other goods be damaged.

- Must be comply contents ,to use marks to describe;

 	The mark means prohibit matters.
	The mark means constraint matters.
	The mark means remind of matters need to attention.



## Caution

- The product must install on the way which is stength enough,to 5 times the weight of affordable products. If couldn't be ensure the installation intensity ,pls take reinforcement measure.



If the item fall off, which will lead to injury or damaged of body.

With the special parts such as hardware, special components should be used.



Or maybe install unfastness, which lead to the product fall down.

- Don't move the machine



Which will cause the damaged and hurt of body.



- The body should install on the wall of smooth.



If install on the wall of uneven which will cause to vibration, abnormal sound, shoring of products life.

## Installation caution



### Caution

- Prohibit to modify the product.



Which will lead to fire or abnormal operation that cause to fire and electric shock.

- Do not install this product in the environment of flammable gas or items.



May cause explosion or fire.

- Do not install this product in side of house or facades.



Will lean to short-circuit , get fire or get an electric shock.

- Do not install this product in the places where is high temperature,damp or wet body,such as bathroom.



Will lean to short-circuit , get fire or get an electric shock.

- Must install the hand dryer well according to the manual instruction.



Wrong installation will lead to fire or electric-shock.

- When you install the hand dryer, the screws of hanging plate or body link with do not connect with the wall or any metal in the wall.



If he screws of hanging plate or body link with any metal ,wira cable .It may be cause short-shock which lead to fire.

- Pls be sure the installation working by qualified electrician.



Maybe be cause to electric-shock or injury.

## Installation requirements

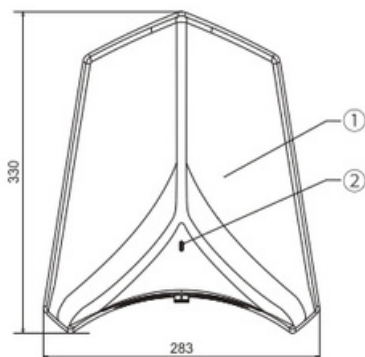
- Do not install follow places,or cause to body 's fault, bad action and shorten of life.

- |                       |                                  |   |
|-----------------------|----------------------------------|---|
| ■ Below 0°C           | ■ Outdoors or facades            | ■ Places easy to be exposed to the outside. |
| ■ More than 40°C      | ■ Easy splash into water         | ■ Places with too much oil smoke.           |
| ■ Sun glare to places | ■ The dust of the place          |   |
| ■ Smoke to much!      | ■ Corrosive,neutral,reducing gas |   |

# Component name and size

Unit mm

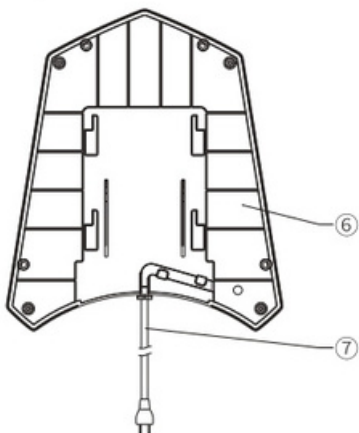
Front



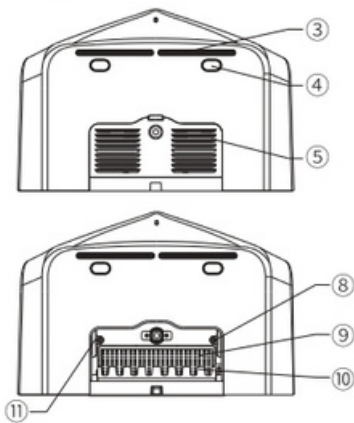
Side



Behind



Bottom



Number	Part name	Number	Part name	Number	Part name
①	Integral cover	⑤	Front cover of air inlet hood	⑨	Filter screen
②	Indicator lamp cover	⑥	Bottom base	⑩	Filter base
③	Fixed seat of air outlet seat	⑦	Power cord	⑪	Power switch
④	Induction lamp shade	⑧	Heating switch		

# Installation method

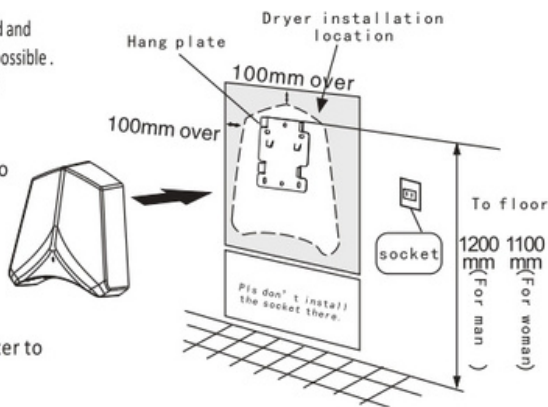
## 1. Choose appropriate installation location

① The installation position should choose where is solid and reliable, and select the vertical wall body as much as possible. To ensure that the body installation position and the range of around 100mm for the vertical plane.

② Suggest installation length from floor to the hole of hook metal is as follows

man	1200mm
woman	1100mm

If man and woman use together, it is better to be subject to woman



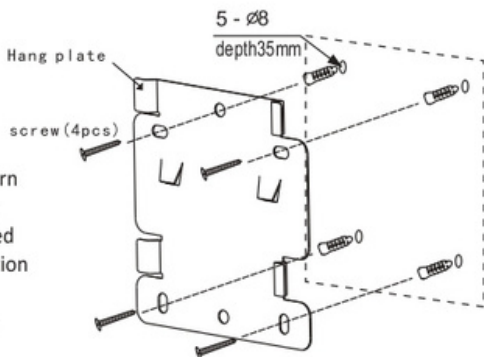
## Prompt matters

- (1) Pls ensure that comply with the instruction, to keep 100mm safety distance between hand dryer and side wall or flammable liquids. At the same time, two sides of body should leave space, do not be surrounded by wall or others.
- (2) Pls prevent installing the hand dryer in these places where people can easily crash into the body or the body of the dryer can easily crash into the door.
- (3) Pls do not set up the socket in the place where water splash easily.

## 2. Fix hanging plate

① Use attached 4.9\*34MM screws to fix the hanging plate.

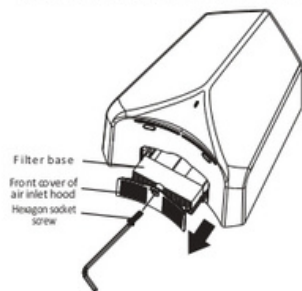
■ While installing on the concrete wall, to turn out of the bottom hole, into the rubber plug, and fix the hanging plate by attached 4.9\*34mm screws. There are 6 installation holes in the hanging plate, only use 4. Suggest to use installation holes in the drawing.



# Installation method

## 3. Installation body

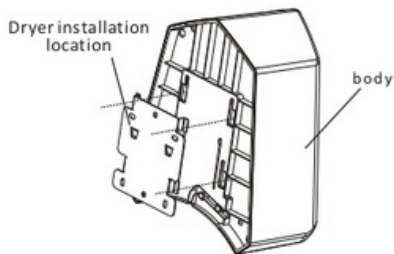
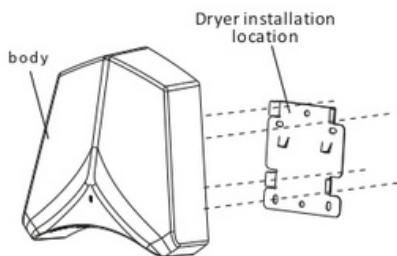
- 1) . remove the inner hexagon screw of the front cover of the air inlet hood, remove the front cover of the air inlet hood and the filter base.



- 3). install the filter base back into the main body.



- 2) Put body of dryer into hanging plate location.



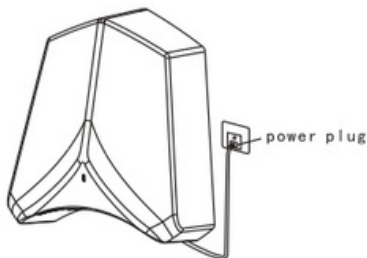
### Prompt matters

Pls ensure cable wire do not pressed by the body of dryer

4. Plug the power socket into the socket



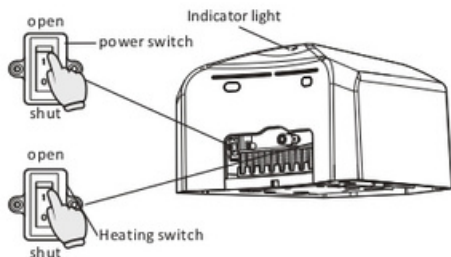
Insert the plug into socket. Please use separate outlet, the specification is 220V, -15A, otherwise may cause fire.



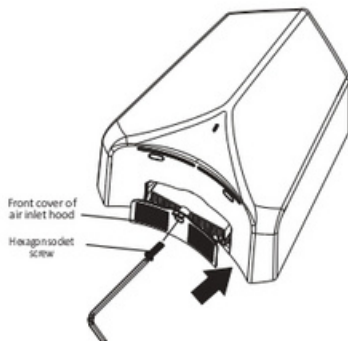
# Setting up Before use

## 3. Setting of power switch

- 1). Press the power on button, and the indicator light will be red.
- 2). Press the heating [on] button to start the heating function.



- 3) . install the front cover of the air inlet hood.



## Setting up in use



### Caution

- Don't cling body of dryer or place objects.



The body of dryer will load and drop, cause to injury.

- Don't hide the airout of hand dryer by hand.



High temperature will lead hands injury.

- If you don't want to use this product any more, do not throw away ,yet should remove it .  
If fall down ,it will lead to injury.



- Long time no use, should pull out the plug.



Will get an electric shock caused by insulation or leakage.



## Setting up in use



### Caution

- This product is not suitable for disabilities, mentally or a person who is lack of experience , including child maintenance use common sense,except in the care of the people responsible for their safety or under the guidance of use.During the perild of maintenance,childrn should be someone care,to prevent the product as a toy.



Otherwise would cause injury.



### Caution

- Prohibit take apart hand dryer , repair or modify.



Which will lead to fire or abnormal operate,cause to fire or electric-shock.

- Power plug must insert in well, need to insert andnear very close socket.



If power plug don't insert into socket not completely, electric sparks may result in electric shock or fire.

- Pull the plug,handheld plug instead of power cord.



Cable wire will be damaged or , cause electric-shock or fire.

- Power cord will damage plug, must ask for specified shop or professional pperson to change.



Otherwise it will cause fire or electric-shock,short circuit or fire.

- Shall not make damaged for cable wire or power plug.



Using damaged cable wire or power plug will cause electric-shock,short circuit or fire.

- Don't use of this products near flammable items (paraffin oil,gasoline,thinner,etc).



Which will cause explosion or fire.

- Don't touch power socket and power plug by wet hands.



Which will cause electric-shock.

- Don't place any foreign bodied (nail,needles, or other metal) to airout or other holes.



Which will cause electric-shock.

### Prompt matters

Do not use in the place where this product is too close the radio, in aviod cause electromagnetic interference,the distance of affected depending on the radio reception.



# Use methold

## 1.Put back of hands under airout to dry moisture.

Back of hands up and slowly moving back and move.

### Prompt matters

- 1) The indicator light is green when the product is working;
- 2) When used for a long time, the product can work for 1min at most, and then it will stop working automatically, Re induction is needed;
- 3) When the product is working, the product will stop working automatically in about 3S after the hand leaves.

## 2.Dry moisture on palm of hands .

Palm of hands up and slowly moving back and move.

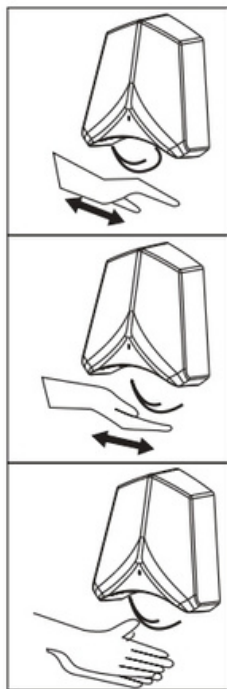
## 3.Dry moisture between fingers.

Your hands polishing.



**Caution**

Don't stuff up airout by hands when hand dryer working ,otherwise cause hands injury.



### Prompt matters

- 1.After continue use of about 60 seconds, its function will start to prevent improper use, the product will automatically shut down. If you need to continue to use, please remove hands firstly, and then put hands in a drying chamber, can restart.
- 2.Even when not in use, the power switch to the open state, about 0.8W of power consumption.
- 3.If perceived by sensors within the presence of a foreign body, which prevents improper use of functions will start, even put into the product, it will not start, and please remove foreign body.
- 4.If there are stains on the sensor surface, which may result in bad sensor and malfunction, please clean the sensors.
- 5.If used in low temperature region a long time, it will be cool feeling slightly even if the heating function is open when it starts.

# routine maintenance



## Caution

- Must pull the plug first before cleaning.



It may result in injuries or electric shock.

- Don't allow the direct water to clean the product.



It will cause a short circuit and cause a fire or electric shock.

- Please clean dusty of the plug regularly.



It will cause fire if the plug is damp and dusty with poor insulation.

- Do not use wet hand to plug or unplug the power socket.



Cause electric shock.



## Note

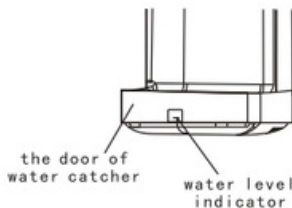
- Please wear gloves in case of unexpected injury.



Otherwise would cause injury.

## Clean notes

1. Please pour out water when it reached the drainage tick in the plate.
2. Dust filters shall be cleaned before blocked.
3. Don't use the thinner, such as alkaline detergents, benzene, alcohol, disinfectant or steel ball etc as the following pictures shows to avoid lead in discoloration of the fuselage and accelerated aging. Please follow the instructions on its use to clean this product



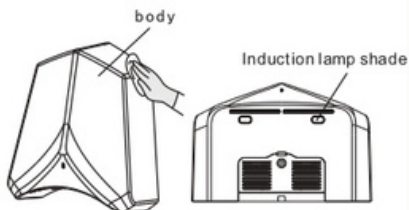
## Routine maintenance

The clean of body+ sensor (we advise clean once a week at least.)

Twist off the water of a soft cloth with warm water or diluted (neutral) wet kitchen cleaner to wipe away stains.

### Prompt matters

If there is dirt on the surface of induction lampshade, it will cause the product misoperation. Please clean it in time.



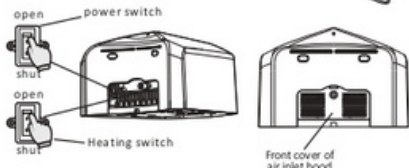
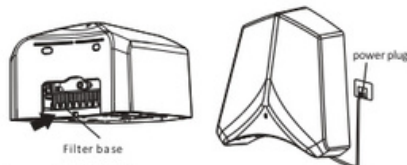
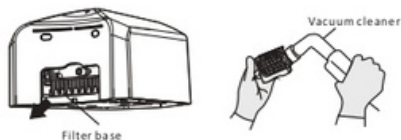
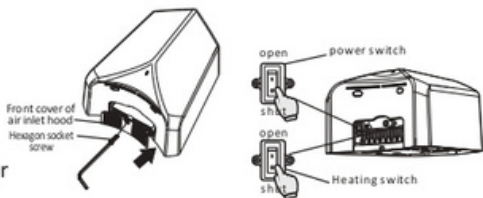
## Cleaning of filter screen (monthly cleaning is recommended)

1. Unplug the power plug.
2. Open the front cover of the air inlet hood and switch the power switch and heating switch to off.
3. remove the filter base, take out the filter, and use a vacuum cleaner to absorb the dust on the filter.

### Prompt matters

- 1). Do not use water to clean the filter screen, because water will damage the performance of the filter screen;
- 2). Do not use wire brush or other hard tools to clean, so as not to break the antibacterial filter screen;
- 3). Do not press the antibacterial filter screen with force, otherwise the antibacterial filter screen may be deformed and damaged;
- 4). In case of serious discoloration or damage of the filter screen, the filter screen shall be replaced

4. Install the filter and filter base back into the machine.
5. Plug the power plug back into the power socket.
6. Switch the power switch and heating switch to [on].
7. Install the front cover of the air inlet hood back to the engine body.



## Antibacterial and antifungal functions

1. The filter screen of hand dryer has antibacterial function, and its antibacterial rate against *Staphylococcus aureus* and *Escherichia coli* is more than 99.9%.  
(test basis: GB21551.2-2010 appendix a film method)
2. The body and filter screen of hand dryer have anti mold function, and its anti mold grade reaches grade 0.  
(test basis: grade C0 in Appendix of GB21551.2-2010 is the highest level of test basis)
3. With the increase of service time, the above antibacterial and antifungal properties will be weakened correspondingly.

## Identification and treatment of common faults

Please check the failure as shown in the table below. If the problem is still unresolved, switch the power switch to the [off] state and contact the customer consulting center or dealer.



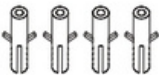


Phenomenon	Cause	Treatment
There is no blowing after putting the hand in	It is possible that the power supply is [off]	Please turn the power on
There is no blowing after putting in the hand or the blowing does not stop after taking out the hand	It's possible that the sensor is stained	Please clean the sensor
	It is possible that there is foreign matter in the sensing range of the sensor	Please remove the foreign matter
	Maybe the distance between the hand and the sensor is too far	Please move your hand close to the sensor
There is no warm air blowing out	It is possible to heat to the off state	Please switch the heating function to [on]

## Product specifications

Reted voltage [V]	Reted frequency [Hz]	Rated power [W]	Rated current [A]	Power [W]		current [A]	
				heating on	heating off	heating on	heating off
220	50	1100	5	1100	550	5	2.5

## Spare parts

The following accessories are attached to the packing box of this product. Please check them completely after unpacking. If there is any shortage, please contact the after-sales service center or the dealer

Item No.	Photo	name and use	quantity
1		Hanging plate	1
2		Screws	4
3		rubber plug	4
4		guranteen card	1
5		inner hexagon spanner	1