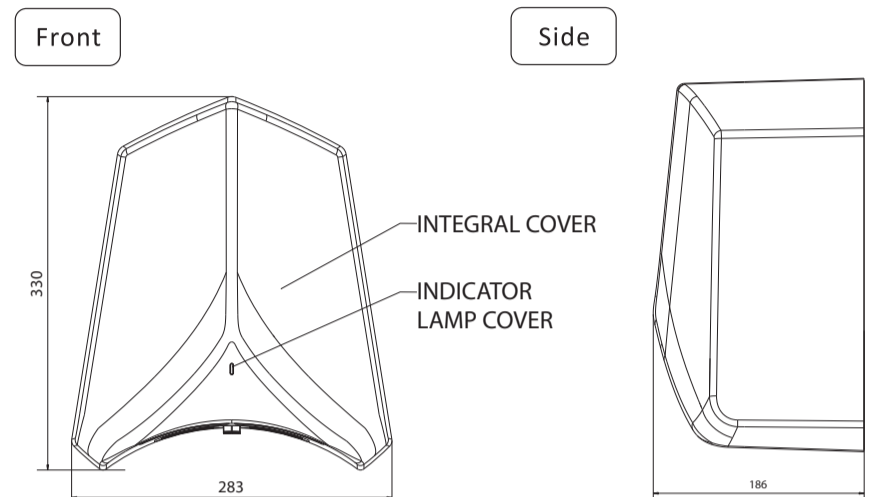


**DAHD0064**



### Specifications

Product Name: ADGE Hand Dryer – BLACK

Product Code: DAHD0064

Colour: Black

Filter: HEPA Filter

Material: High Grade ABS

Voltage: AC220-240V / AC110-127V, 50/60Hz

Power: 1100 W

Air Speed: 90 m/s

Air Temperature:  $65 \pm 15^{\circ}\text{C}$

Noise level: 60 - 70 db(A)

Motor Speed: 25000 r/min

Drying time: <12 s

Water Splash Proof: IPX1

Warranty: 5 years warranty

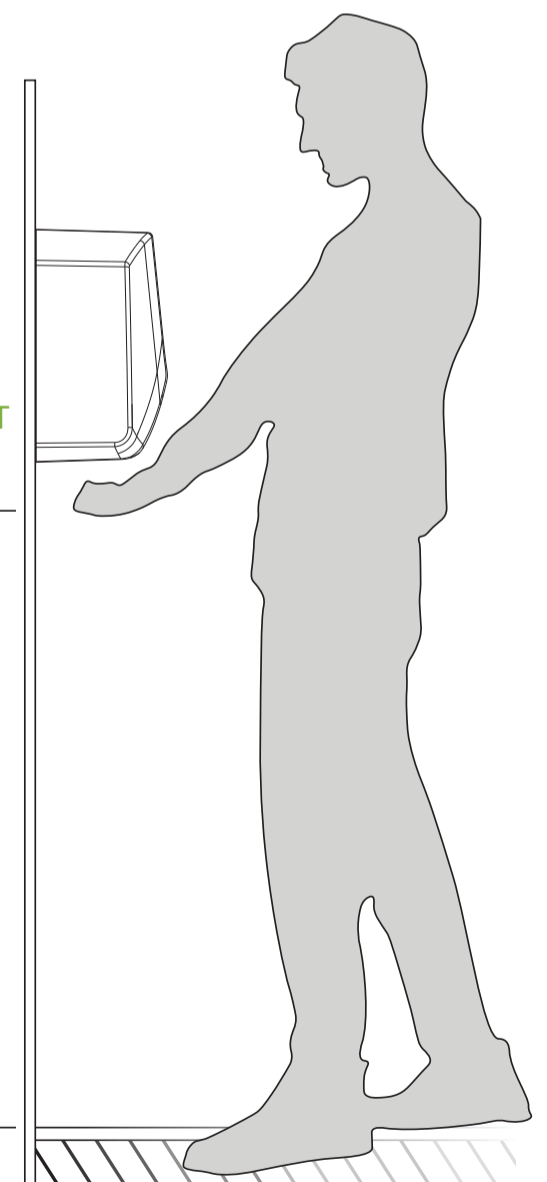
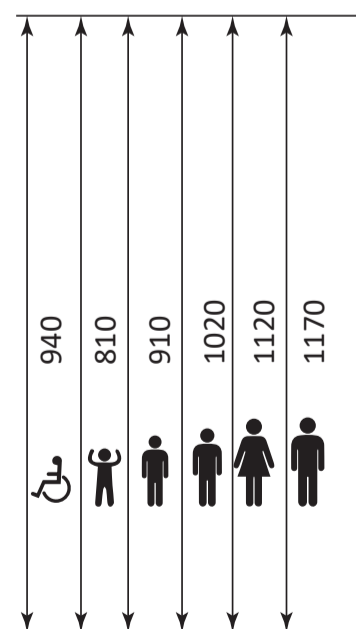
Also available in  
Silver colour



Product Code

DAHD0065

RECOMMENDED MOUNTING HEIGHT



All dimensions are in mm