

# Hand Dryer

Purified model

Sterilizing model

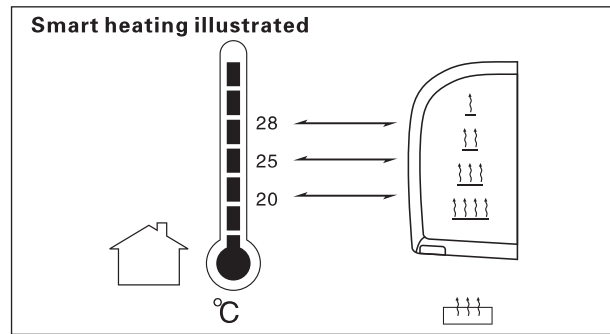


# HAND DRYER USER MANUAL

**Thank you for purchasing this hand dryer. It's a low-noise smart hand dryer, controlled by digital circuit with infrared sensor, which is an ideal choice for food industry, medical industry, hotels, offices, department stores and entertainment locations. And it has advantages of high efficiency, concentrated air flow, quick drying and stainless steel housing .**

## Features:

- ※ **Energy saving:** Unique brushless motor, low overall power consumption, high efficiency, round nozzle for concentrated air flow, quick drying process.
- ※ **Smart:** Micro-smart control chip, coupled with advanced infrared processing technology to ensure accurate and reliable control. It automatically adjusts the heater depending on the ambient temperature of the air surrounding the dryer, for better energy consumption.
- ※ **Comfortable:** Low noise, high speed to dry hands quickly .
- ※ **Safe:** This hand dryer has multiple protections against over temperature, over current and overtime.
- ※ **Endurable:** Stainless steel cover with better anti-external impact and anti-drop protection.



## ※ Purified model

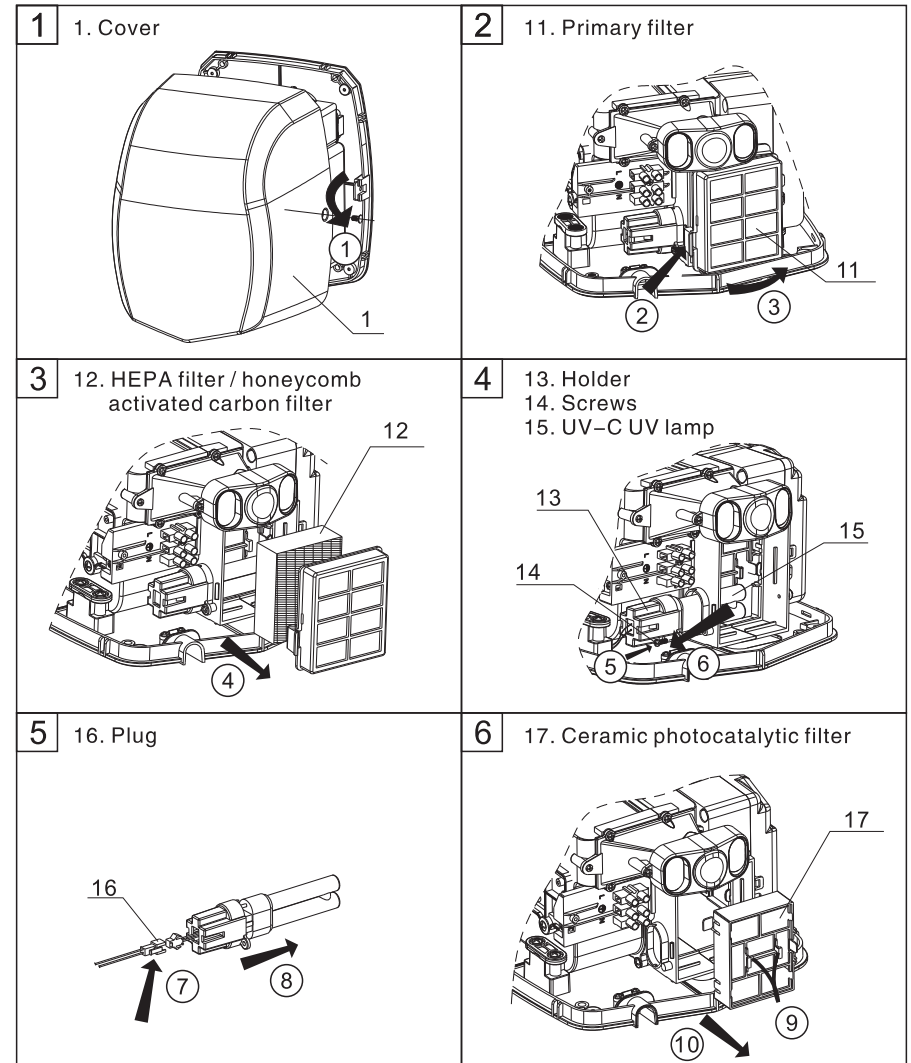
Primary filter in front of fan house can filter large particles of dust and air.  
Second layer of HEPA filter can filter small dust.

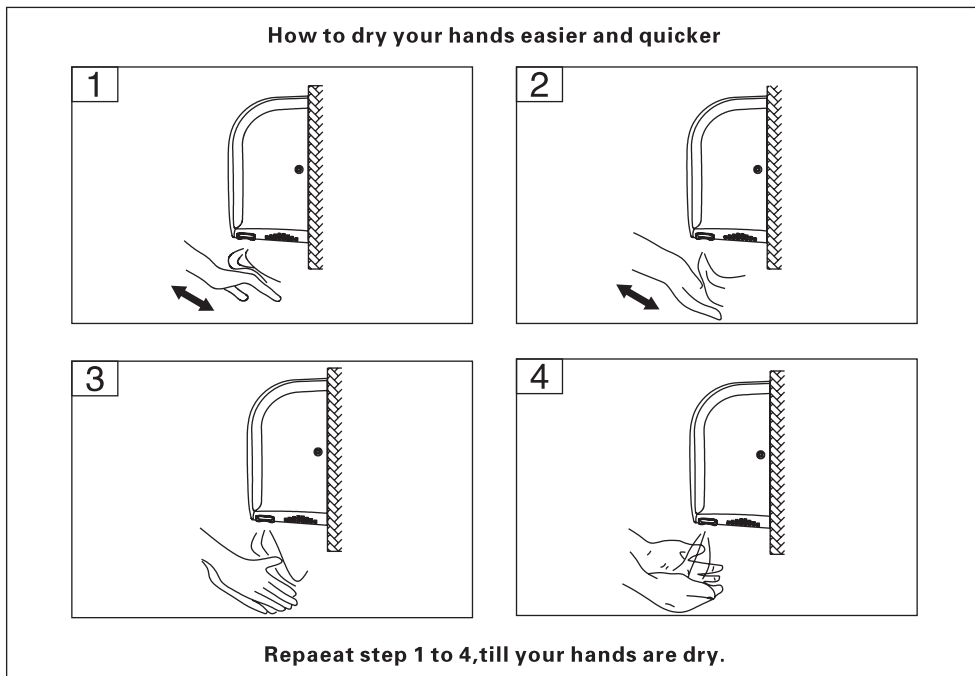
## ※ Sterilizing model

Primary filter in front of fan house can filter large particles of dust and air.  
Second layer of activated carbon filter can absorb harmful gases and bacteria.  
The third layer is irradiated with specific wavelengths of UV light, the bacterial and viral DNA tissues are destroyed, killing the microorganisms.  
The fourth layer of ceramic photocatalytic filter irradiated with UV light will activate the photocatalyst (TiO<sub>2</sub>) and produce hydrogen radical (OH), which can decompose molecular structure of the harmful components, inhibit the growth of bacteria and viruses, so as to sterilize, purify, deodorize and fresh the air.

**4. UV-C UV lamp:** Follow step 1 to 4, remove primary filter and filter. Then follow step 5 to 8, use a screwdriver to release screws and take out the holder, pull out the ultraviolet lamp and replace it. Theoretically it lasts 5000 hours, recommend to replace it every 12 months, which is based on the frequency of use, environment and its own wavelength loss.

**5. Ceramic photocatalytic filter:** Follow step 1 to 4, remove primary filter and filter. Then follow step 5 to 6 to take out the holder. Follow step 9 to 10 to pull out ceramic photocatalytic filter and replace it. Theoretically it is free from replacement if there's no dust or stain.

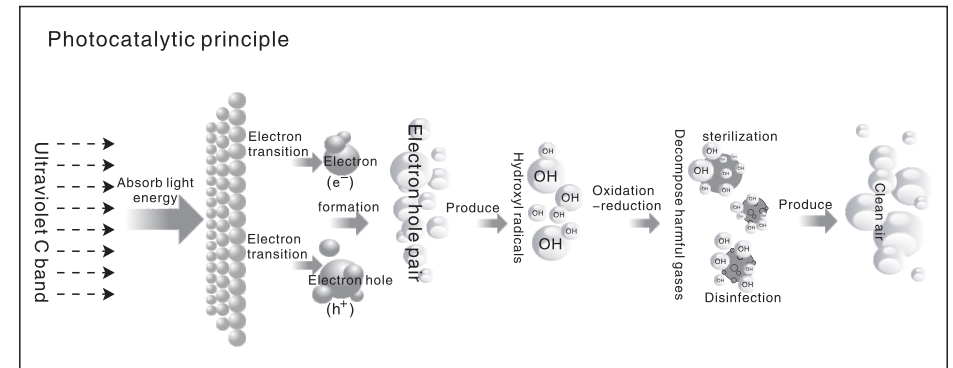




4. The sterilizing model will start the ultraviolet lamp (UV-C) to activate the photocatalyst (TiO<sub>2</sub>) and produce hydrogen radical (OH) during drying hands. It continues to work at low speed to sterilize and purify the air for 1 hour after drying hands.

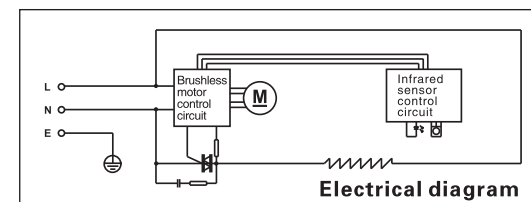
### Maintenance and replacement of the filter

1. **Primary filter:** Follow step 1 to 4, open the cover, press the clasp and rotate gently to remove the primary filter. Clean it with water, dry and reuse it. Recommend to clean it once a month.
2. **HEPA filter:** Follow step 1 to 4, remove primary filter, replace old HEPA filter with a new one. Recommend to replace it every 3 months when air velocity drops, which is based on the frequency of use and environment.
3. **Honeycomb activated carbon filter:** Follow step 1 to 4, remove primary filter, clean the honeycomb activated carbon filter with water, dry and reuse it. Recommend to clean it every 2 months and replace it every 12 months.



### Specification:

Voltage	Power	Frequency	Water splash proof
220V-240V~	800W	50Hz	IP22



### Important safety notes

**Do not let people with weak physical, visual, or mental capacity, including children, and those lacking of relevant experience or knowledge use this product, unless they are under instruction or guidance of such people as responsible for their safety.**

#### ⚠ Danger

- ※ Installation, and all other dangerous work shall only be carried out after the power is cut off; or it may result in injury or even death because of serious electric shock.
- ※ Wiring procedures must be in compliance with relevant technical standards, and all other regulations and rules relating to indoor installation of electrical wires, to guarantee safety.
- ※ Damaged power cord shall be replaced with dedicated soft cord or such dedicated components purchased from the manufacturer or repair department.
- ※ In the event of any failure during use, please cut off the power, put it out of service, and conta



#### ⚠ Cautions:

- ※ Before use, make sure the rated voltage of this product is the same as your local voltage.
- ※ The hand dryer shall be installed in such a place that it cannot be touched during a bath or shower.
- ※ Do not install this device near bath tub, sink, or other vessels for water.

- ※Do not spray water directly on the product.
- ※Do not clog the inlet and outlet of air.
- ※Do not shake it violently.

This appliance can be used by children aged from 8 years and above and persons with reduced physical, sensory or mental capabilities or lack of experience and knowledge if they have been given supervision or instruction concerning use of the appliance in a safe way and understand the hazards involved. Children shall not play with the appliance. Cleaning and user maintenance shall not be made by children without supervision.

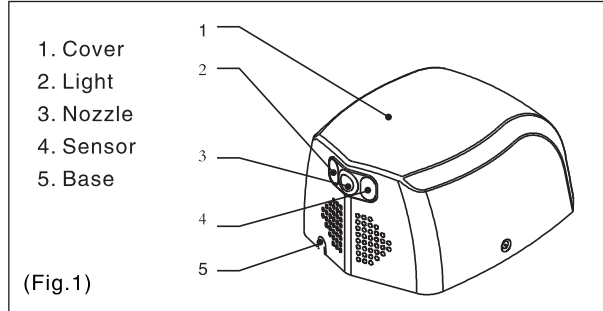
If the supply cord is damaged, it must be replaced by the manufacturer, its service agent or similarly qualified persons in order to avoid a hazard.

 This marking indicates that this product should not be disposed with other household wastes throughout the EU. To prevent possible harm to the environment or human health from uncontrolled waste disposal, recycle it responsibly to promote the sustainable reuse of material resources. To return your used device, please use the  return and collection systems or contact the retailer where the product was purchased. They can take this product for environmental safe recycling.

### Package:

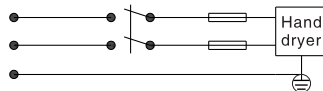
- Hand dryer × 1;
- Installation template × 1;
- User instruction × 1;
- Installation package:  $\varnothing 8 \times 35\text{mm}$  plug × 4, ST4.8 × 40–C tapping screw × 4.

### Components:

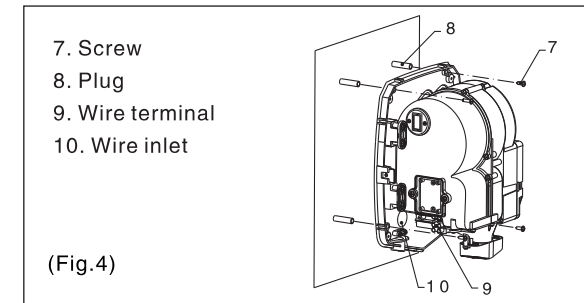
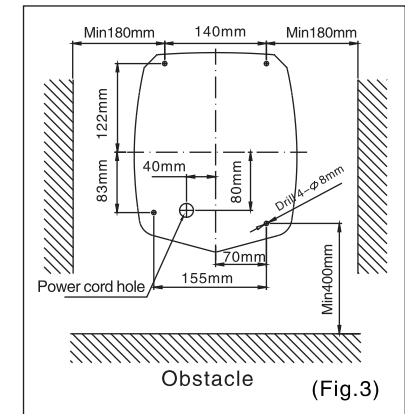
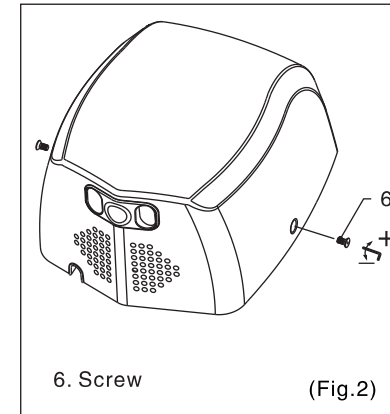


### Installation:

- ※Double pole switch with a contact distance >3mm should be installed before connecting to the main power
- ※The product must be earthed.
- ※Do not install near water. Power should be cut off before installation and maintenance.



- As shown in Fig.2, use an Allen key to remove screws on both sides of the hand dryer, and remove the cover. Use the guides on installation template (Fig.3) to drill 4- $\varnothing 8\text{mm}$  holes at 35mm depth.
- Fix the hand dryer to the wall using plugs and screws attached (Fig.4).
- Replace the cover and attach using the original screws.
- To install with a concealed wire, knock out the pre-cut hole on the base (Fig.4), remove the power cord, thread through the hole and connect to the corresponding terminals.



### Application:

- Hand dryer is stand-by when it is connected.
- Place hands under the outlet within  $10 \pm 1$  cm to start operation. Stops automatically after hands are removed, or after 60 seconds.
- Follow the guides to dry hands quickly.