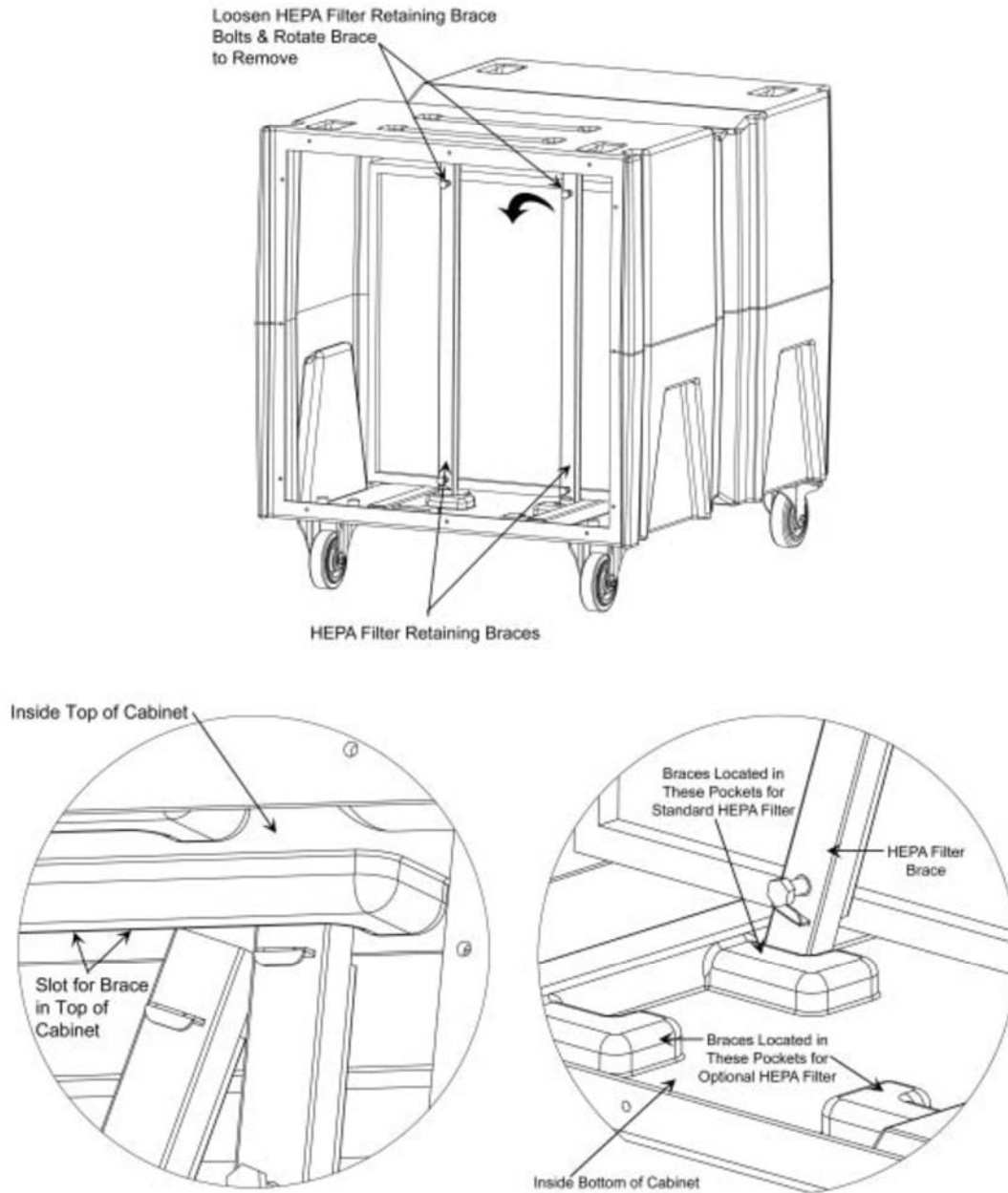
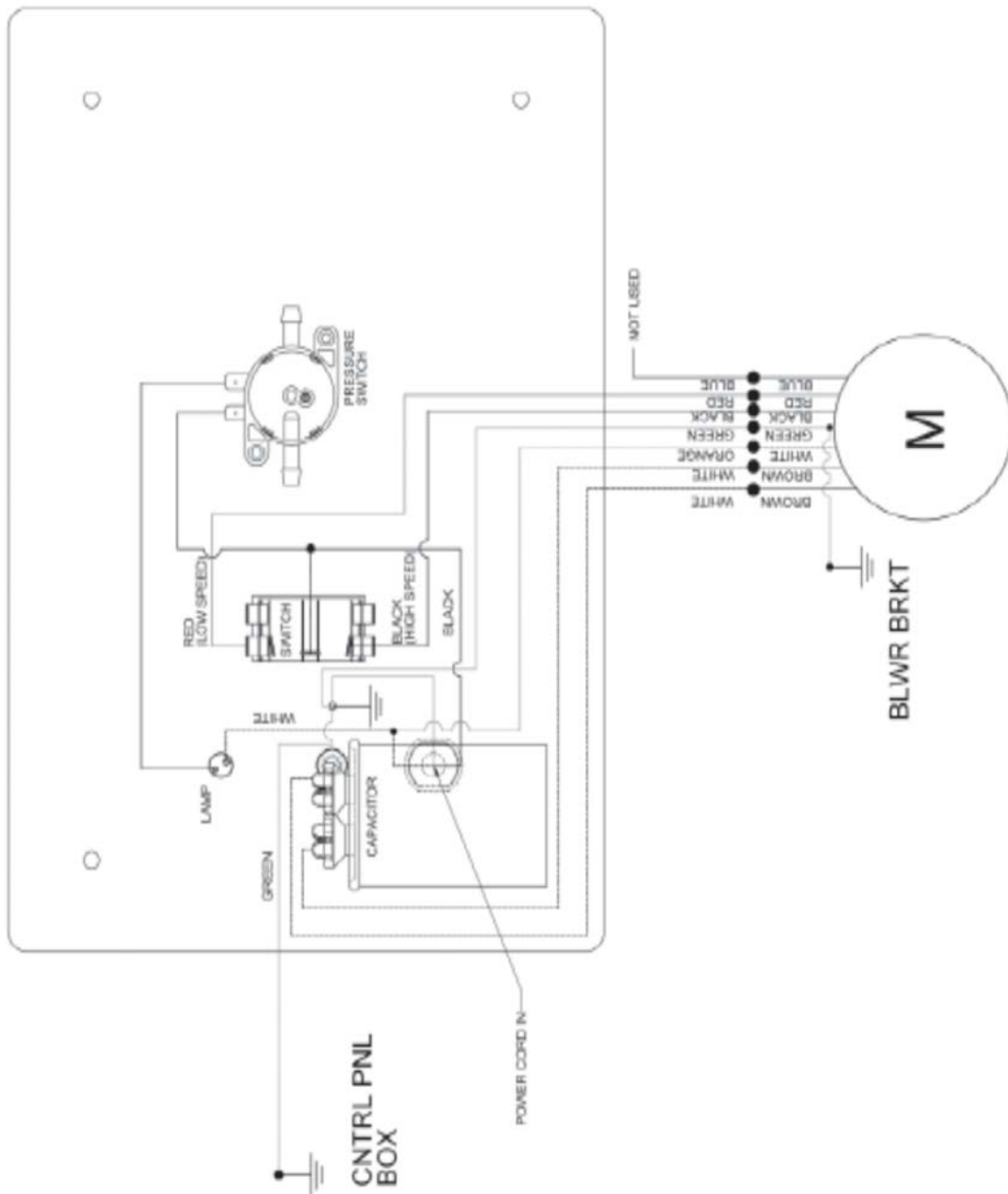


BD2KM AND BD2KMA DIAGRAMS

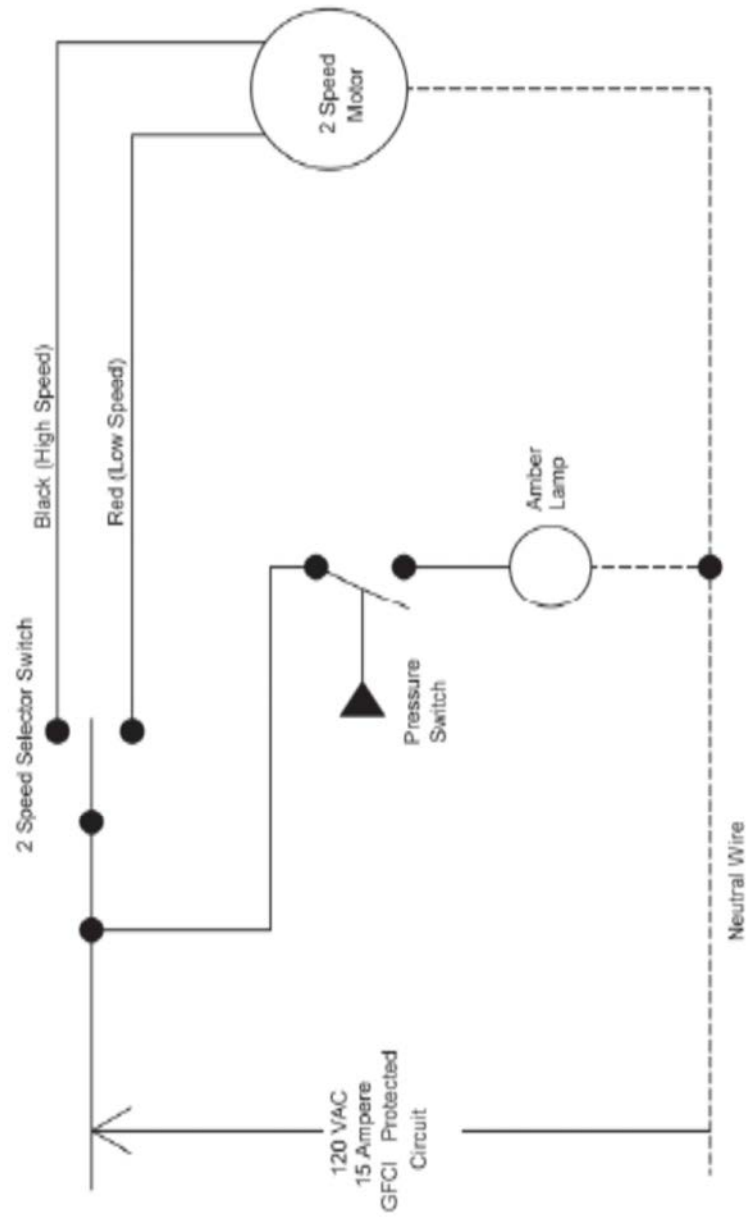
Figure A: HEPA Filter Replacement



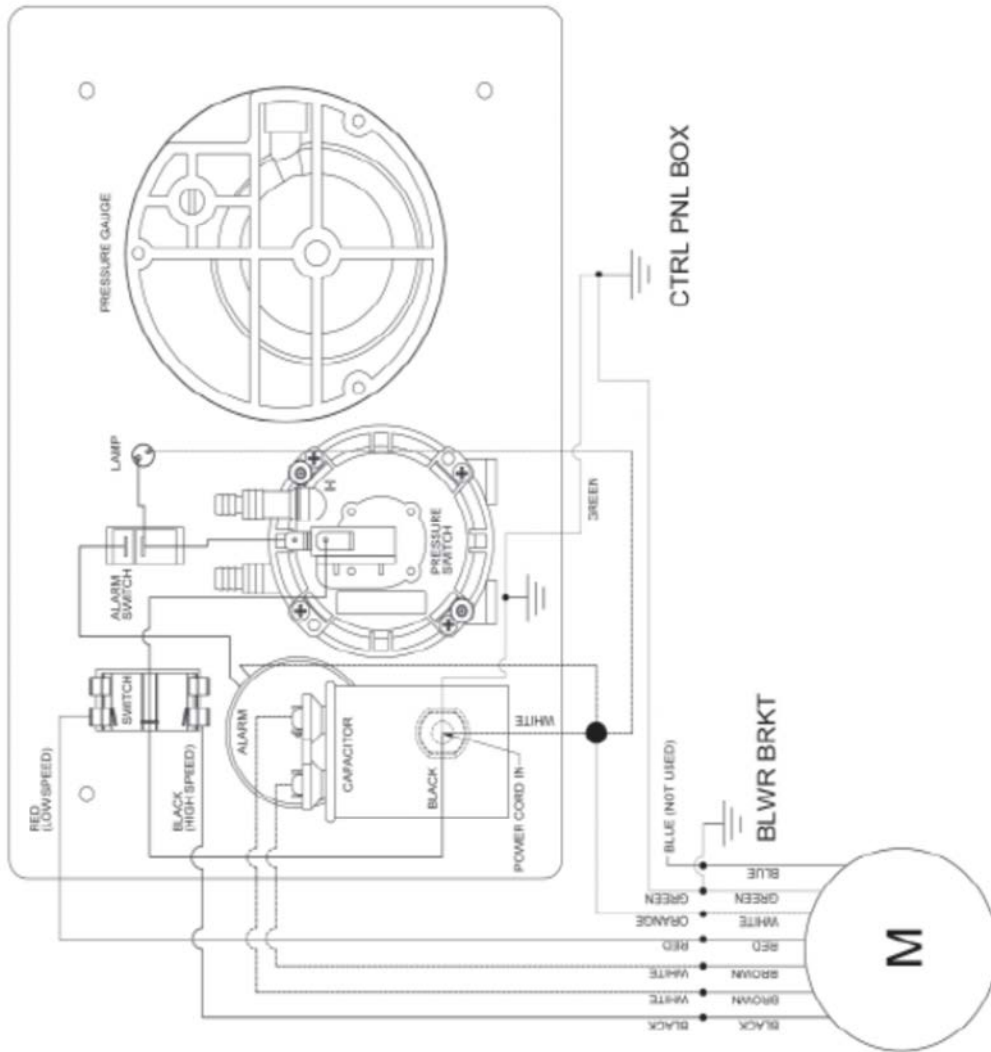
BD2KM Control Panel Wiring Diagram



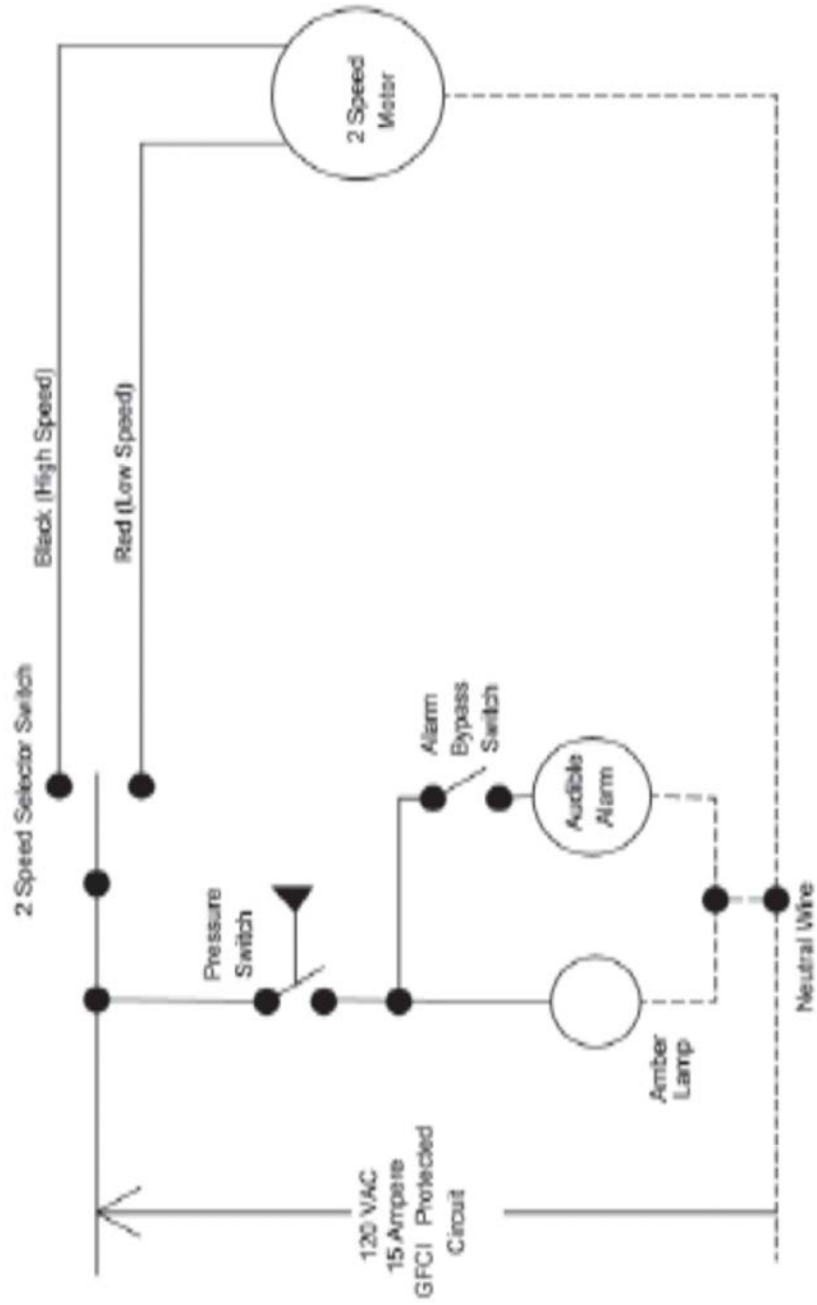
BD2KM Wiring Schematic



BD2KMA Control Panel Wiring Diagram

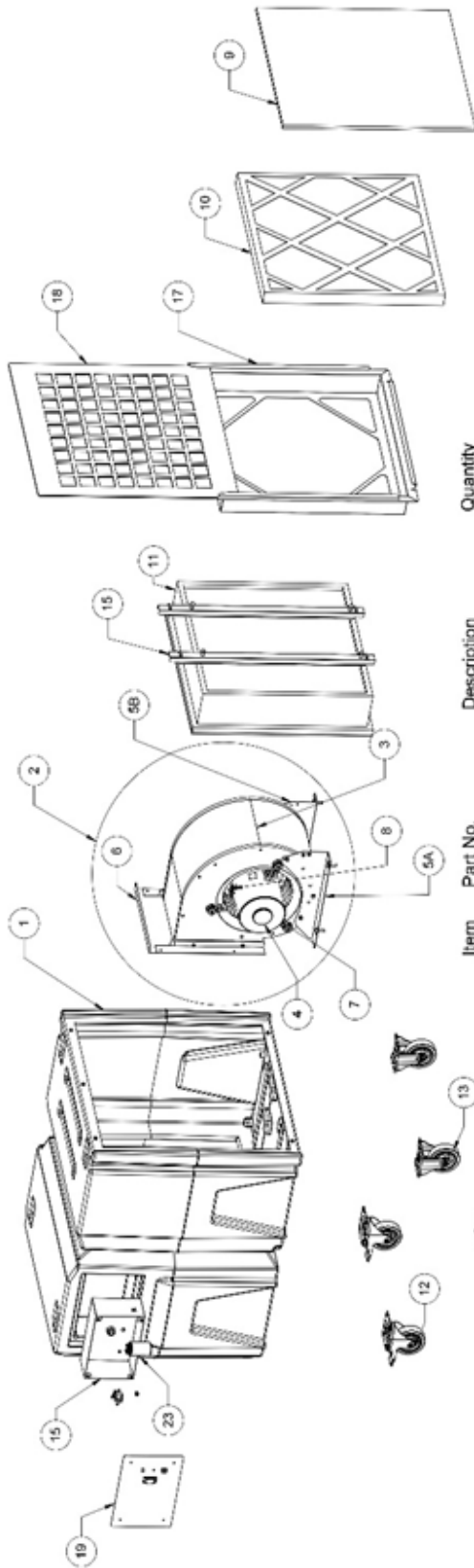


BD2KMA Wiring Schematic



Rev C

MODEL BD2KM

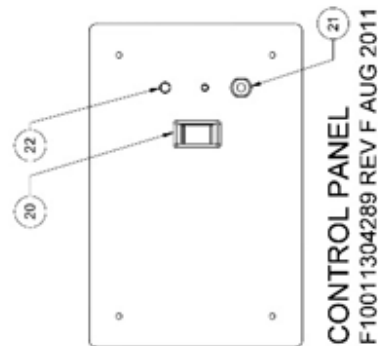


BD2KM
STARTING SERIAL #B12815302513
05/10/15

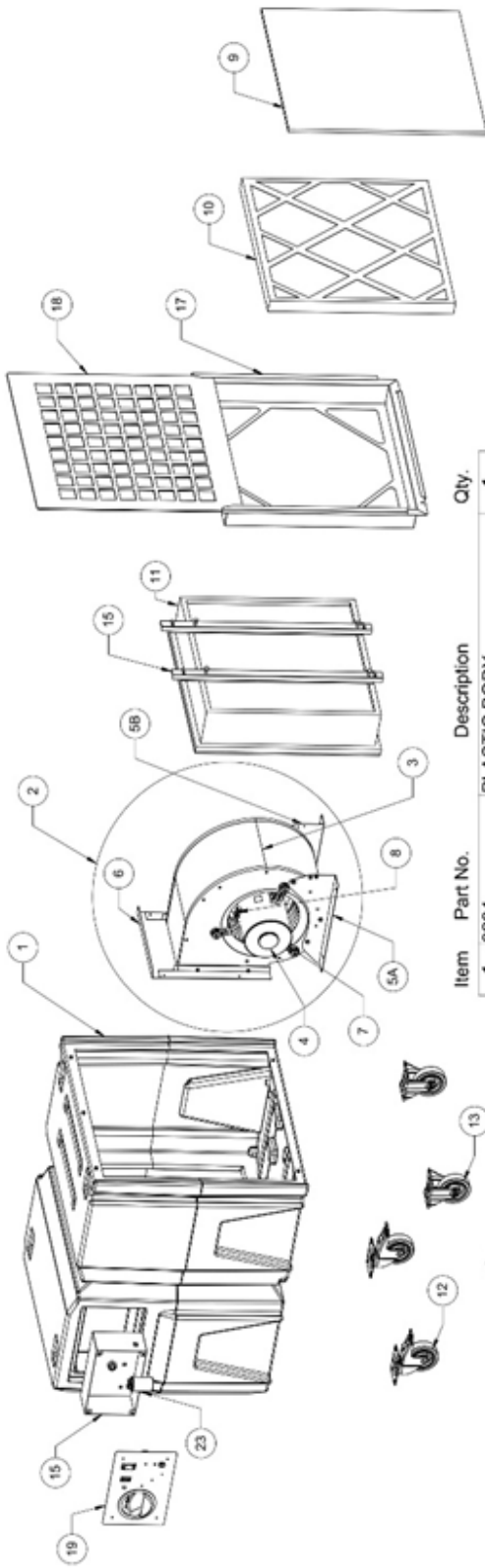
Item	Part No.	Description	Quantity
1	3284	PLASTIC BODY	1
2	BLWRASY62	Motor/Blower Assembly	1
3		Blower Assembly	1
4		1 HP Motor	1
5A		Motor/Blower Bracket Right	1
5B		Motor/Blower Bracket Left	1
6		Outlet Grill	1
7		Mounting Arm	3
8		Belly Band	1
9	H2001	Poly Pad Prefilter	1
10	H2002	2" Pleated Filter	1
11	H242406-99	99.97% HEPA Filter	1
12	CASTER43	100 x 33mm Caster, Swivel	2
13	CASTER42	101 x 33mm Caster, Fixed	2
14	SCREW31	5/16-18 x 1/2 Hex Head Screw	16
15	3274	CTRL Panel Inner Box	1
16	3277-3278	HEPA Filter Bracket	2
17	3286	Prefilter Door Frame	1
18	3285	DROP DOWN DOOR	1
19	CTRLPNL80	CONTROL PANEL ASSEMBLY	1
Note: CTRLPNL Changed July 12, 2011 sn#E10011304254 It is larger than the previous and not interchangeable			
20	SWTCH02	Hi/Low Switch	1
21	ELE02	Strain Relief	1
22	LAMP09	Amber Solico Lamp	1
23	ELE163	Capacitor	1

Not Shown In Exploded View

WIRE12	18-3 Cord with Plug	1
SWTCH28	PRESSURE SWITCH	1

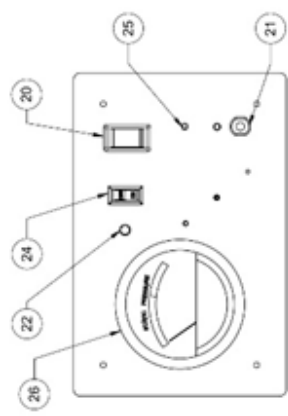


MODEL BD2KMA



BD2KMA
STARTING SERIAL #B12915401164
11/16/17

Item	Part No.	Description	Qty.
1	3284	PLASTIC BODY	1
2	BLWRASSY62	Motor/Blower Assembly	1
3		Blower Assembly	1
4		1 HP Motor	1
5A		Motor/Blower Bracket Right	1
5B		Motor/Blower Bracket Left	1
6		Outlet Grill	1
7		Mounting Arm	3
8		Belly Band	1
9	H2001	Poly Pad Prefilter	1
10	H2002	2" Pleated Filter	1
11	H242406-99	99.97% HEPA Filter	1
12	CASTER43	100 x 33mm Caster, Swivel	2
13	CASTER42	101 x 33mm Caster, Fixed	2
14	SCREW31	5/16-18 x 1/2 Hex Head Screw	16
15	3274	CTRL Panel Inner Box	1
16	3277-3278	HEPA Filter Bracket	2
17	3286	Prefilter Door Frame	1
18	3285	DROP DOWN DOOR	1
19	CTRLPNL81	CONTROL PANEL ASSEMBLY	1
Note: CTRLPNL Changed July 12, 2011 sn#D10111301847 It is larger than the previous and not interchangeable			
20	SWITCH02	Hi/LOW Switch	1
21	ELE02	Strain Relief	1
22	LAMP09	Amber Solico Lamp	1
23	ELE163	Capacitor	1
24	SWITCH06	ON/OFF SWITCH - ALARM	1
25	ALARM02	EDWARDS MINI HORN ALARM	1
26	H2-2005	DIFFERENTIAL PRESSURE GAUGE	1
Not Shown in Exploded View			
	WIRE12	18-3 Cord with Plug	1
	SWITCH40	PRESSURE SWITCH	1



E10011301853 REV E AUG 2011
CONTROL PANEL