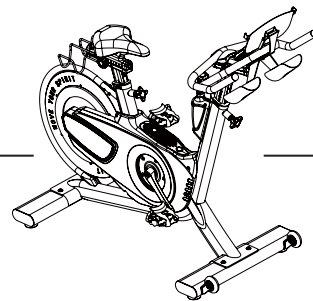


S **SPIRIT**
COMMERCIAL



CIC850 FITNESS BIKE
OWNER'S MANUAL

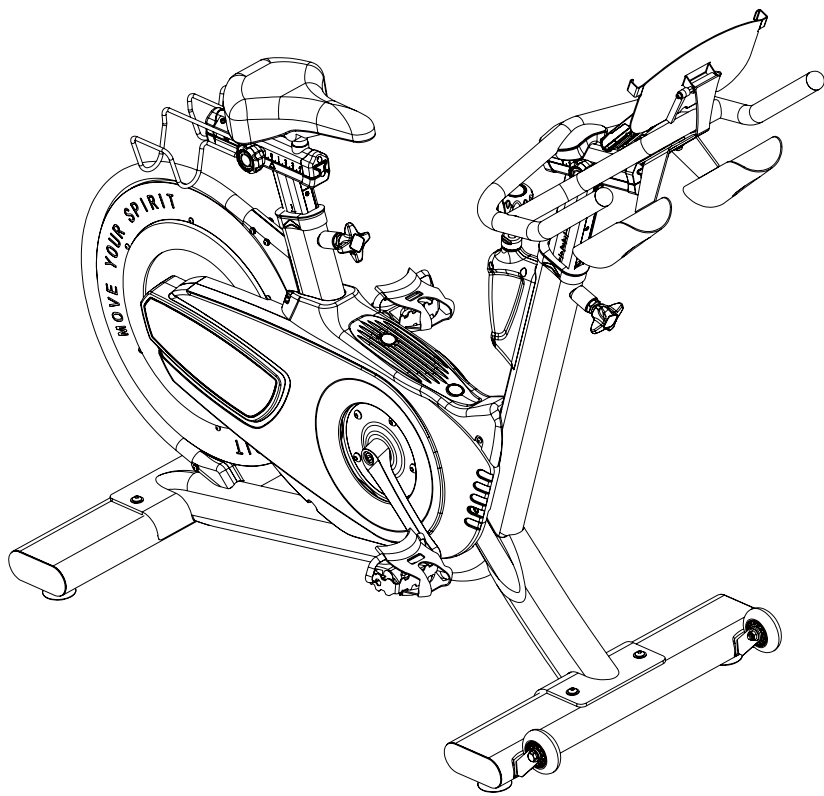


TABLE OF CONTENTS

5	PRODUCT REGISTRATION
6	IMPORTANT SAFETY INSTRUCTIONS
7	IMPORTANT OPERATION INSTRUCTIONS
9	CIC850 ASSEMBLY INSTRUCTIONS
23	CONSOLE INSTRUCTIONS
30	CONNECTING TO APPS
33	GENERAL MAINTENANCE
34	TROUBLESHOOTING
36	MANUFACTURER'S LIMITED WARRANTY
39	EXPLODED DRAWING
40	PARTS LIST

Thank you for purchasing our product, please save these instructions. Please do not perform or attempt any customizing, adjustments, repair or maintenance that is not described in this manual.



Congratulations on your new Indoor Cycle and welcome to the Spirit Fitness family!

Thank you for your purchase of this quality group indoor cycle from Spirit Fitness. Your new indoor cycle was manufactured by one of the leading fitness manufacturers in the world and is backed by one of the most comprehensive warranties available. Through your dealer, Spirit Fitness will do all we can to make your ownership experience as pleasant as possible for many years to come. If not purchased direct from Spirit Fitness, the local dealership where you purchased this indoor cycle is your administrator for all Spirit Fitness warranty and service needs. Their responsibility is to provide you with the technical knowledge and service personnel to make your experience more informed and any difficulties easier to remedy.

Please take a moment at this time to record the name of the dealer, their telephone number, and the date of purchase below to make any future, needed contact easy. We appreciate your support and we will always remember that you are the reason that we are in business.

Yours in Health,
Spirit Fitness

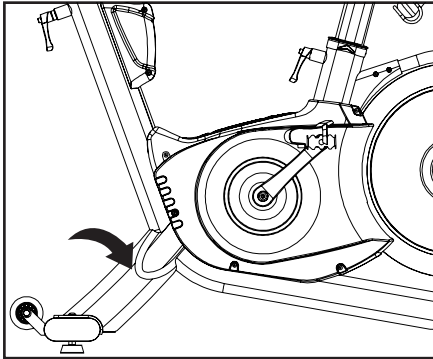
NAME OF DEALER _____

DEALER PHONE # _____

PURCHASE DATE _____

RECORD YOUR SERIAL NUMBER

Please record the serial number of this fitness product in the space provided below.



Serial Number: _____

REGISTER YOUR PURCHASE

The self-addressed product registration card must be completed in full and returned to Spirit Fitness. You can also go to <http://www.spiritfitness.com/warranty> under the Support tab to register online.

IMPORTANT SAFETY INSTRUCTIONS

WARNING

- Use this equipment only for its intended use as described in this manual. Do not attempt to ride this bike at high pedal speeds until you have ridden the bike for some time and are comfortable riding at slower pedal speeds.
- The bike is NOT equipped with a freewheel system which means that when the flywheel is in motion, the pedals will be in motion. Do not attempt to stop the unit by applying backward pressure to pedals while they are turning as knee injury may occur. Do not attempt to remove your feet from pedals while they are moving.
- Wait for flywheel to coast to a stop before dismounting the bike. If you want to stop the flywheel, push down on the resistance/brake knob.
- Serious injury or death may occur from over-training. Consult a medical doctor or qualified fitness instructor to determine an exercise program appropriate for your level of fitness.
- Do not attempt to turn the pedal cranks by hand. Do not touch any driving mechanism while it is in motion as possible injury could occur.
- In a home setting, keep children away from the bike when it is not in use. Keep children and pets away from the unit while it is in use.
- Do not attempt to perform dip movements on handlebars.
- Never drop or insert any object into any opening of the bike.
- Only use the bike on a stable, level floor.
- Follow instructions for safe use of the equipment including proper seat position, handlebar position, and use of foot positioning system of pedals. Do not attempt to pull up handlebar post and seat post over the 'MAX.' level
- For safe operation, allow for at least 1 foot (30cm) of free space to either side of the unit and 2 feet (60cm) of free space to the rear of the unit.
- Regularly examine the bike for damage and wear. Inoperable components should be replaced immediately or the equipment should not be used until it is repaired.
- This appliance is not intended for use by persons with reduced physical, sensory or mental capabilities, or lack of experience and knowledge, unless they have been given supervision or instruction concerning use of the appliance by a person responsible for their safety.
- Keep children under the age of 13 away from this machine.

- Failure to follow all guidelines may compromise the effectiveness of the exercise experience, expose yourself (and possibly others) to injury, and reduce the longevity of the equipment.
- User Weight Limit: 350 lb

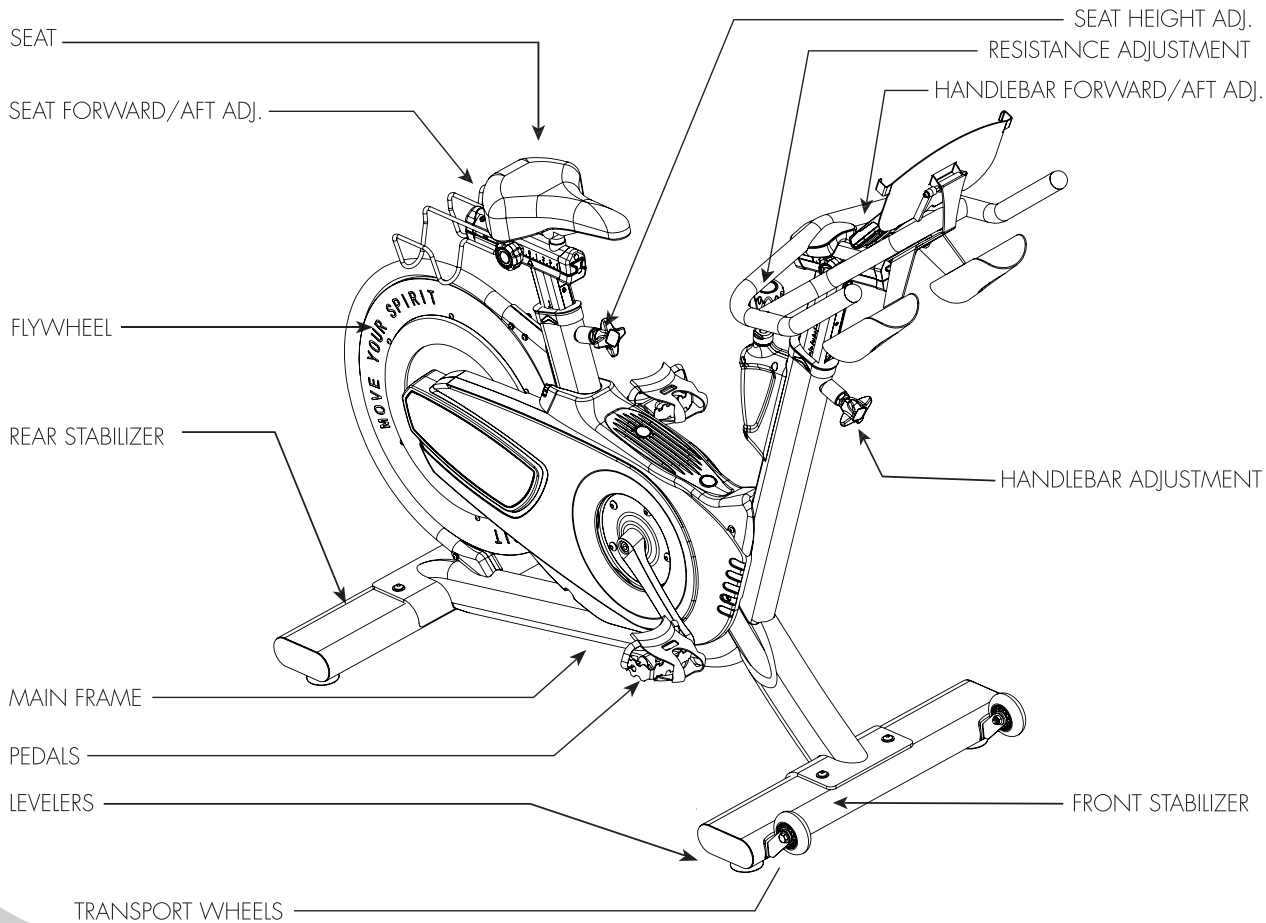
SAVE THESE INSTRUCTIONS - THINK SAFETY!

IMPORTANT OPERATION INSTRUCTIONS

NEVER expose the bike to rain or moisture. This product is NOT designed for use outdoors, near a pool or spa, or in any other high humidity environment. Maximum environmental ratings are 40-120 degrees Fahrenheit, 95% humidity non-condensing (no water droplets forming on surfaces).

WARNING

This product can expose you to chemicals including Toluene and Acrylamide which are known to the State of California to cause Cancer and birth defects or other reproductive harm. For more information, go to www.P65Warnings.ca.gov



CIC850 PRE-ASSEMBLY

UNPACKING

1. Cut the straps, then along the dotted line on the bottom of the box; lift the box over the unit and unpack.
2. Locate the hardware package. The hardware is separated into six steps. Remove the tools first. Remove the hardware for each step as needed to avoid confusion. The numbers in the instructions that are in parenthesis (#) are the item number from the assembly drawing for reference.

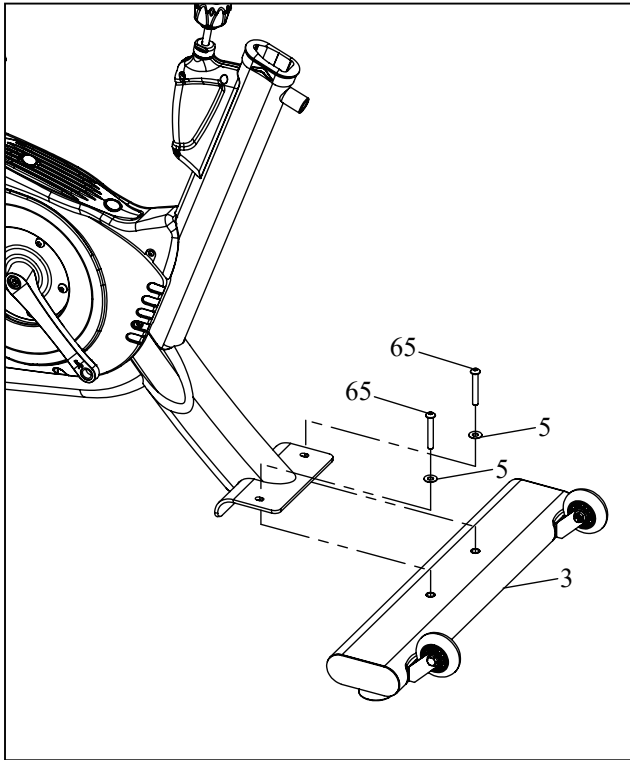
TOOLS INCLUDED:

- ❑ 4mm Allen Wrench A
- ❑ 5mm Allen Wrench B
- ❑ 13/17mm Combination Wrench C
- ❑ M22 Wrench D

PARTS INCLUDED:

- ❑ 1 Main Frame
- ❑ 1 Front Stabilizer
- ❑ 1 Rear Stabilizer
- ❑ 1 Adjustment Handlebar Knob
- ❑ 1 Water Bottle Holder
- ❑ 1 Handlebar Post
- ❑ 1 Handlebar
- ❑ 2 Foot Pedals
- ❑ 1 Hardware Kit
- ❑ 1 Tablet Holder
- ❑ 1 Dumbbell Holder
- ❑ 1 Console Bracket

CIC850 STEP ONE

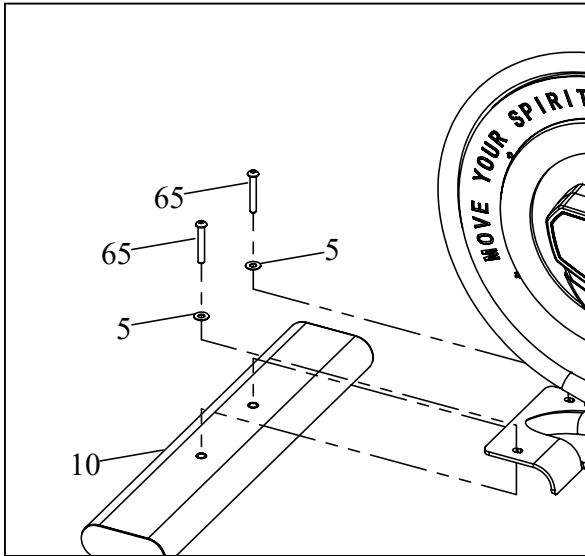


HARDWARE FOR STEP 1

PART	TYPE	DESCRIPTION	QTY
65	SCREW	M8 X 1.25 X 55L	2
5	FLAT WASHER	M8	2

1. Gather **HARDWARE FOR STEP 1**.
2. Position the **FRONT STABILIZER (3)** on the **FRAME BRACKET** as shown in the figure. Make sure the **TRANSPORT WHEELS** are facing up and toward the front of the bike.
3. Attach the **STABILIZER** with 2 **HEX SCREWS (65)** and 2 **FLAT WASHERS (5)**. Do not overtighten as deformation of the stabilizer may occur.
4. Make sure the **LEVELING FEET** with nut are fully screwed into the **STABILIZER**.

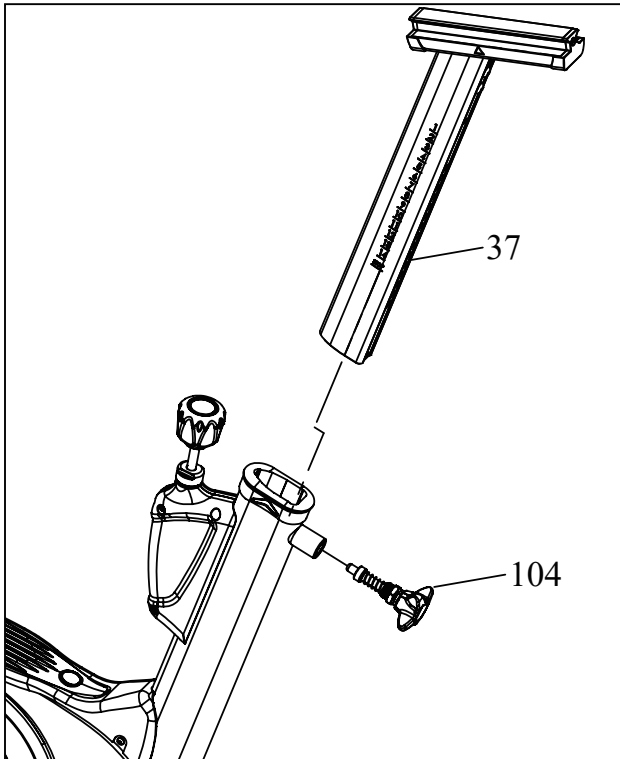
CIC850 STEP TWO



HARDWARE FOR STEP 2			
PART	TYPE	DESCRIPTION	QTY
65	SCREW	M8 X 1.25 X 55L	2
5	FLAT WASHER	M8	2

1. Gather **HARDWARE FOR STEP 2**.
2. Position the **REAR STABILIZER (10)** on the **FRAME BRACKET** as shown in the figure.
3. Attach the **STABILIZER** with 2 **HEX SCREWS (65)** and 2 **FLAT WASHERS (5)**. Do not overtighten as deformation of the stabilizer may occur.

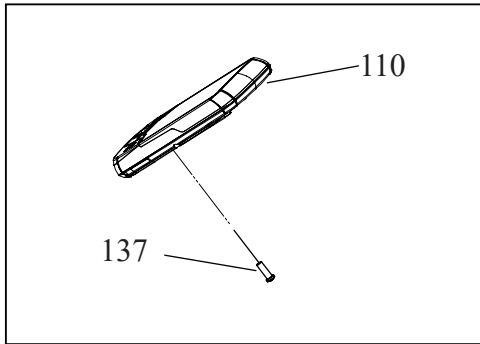
CIC850 STEP THREE



HARDWARE FOR STEP 3			
PART	TYPE	DESCRIPTION	QTY
104	KNOB	STAR POP-PIN	1

1. Remove the **STAR-POP PIN (104)** from the components box and turn clockwise to tighten firmly into the **FRAME** with **WRENCH (D)**.
2. Insert the **HANDLEBAR POST (37)** into the **FRAME TUBE** and tighten firmly with the **STAR-POP PIN**.

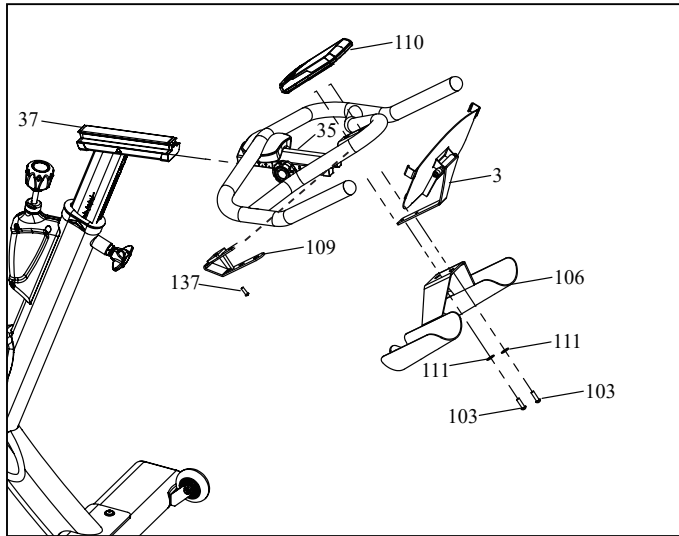
CIC850 STEP FOUR



HARDWARE FOR STEP 4			
PART	TYPE	DESCRIPTION	QTY
137	PHIUPS HEAD SCREW	M5*1.5L	1

1. Remove the pre-installed **SCREW (137)** from the back of the console. This screw will be used to secure the console to the console bracket later on.

CIC850 STEP FIVE



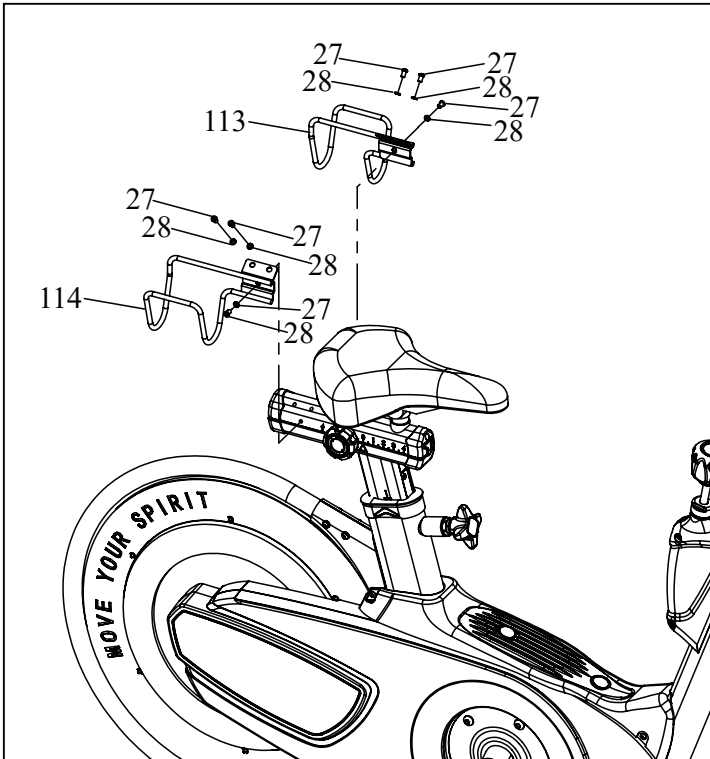
HARDWARE FOR STEP 5			
PART	TYPE	DESCRIPTION	QTY
110	CONSOLE	DT-3268F	1
109	CONSOLE BRACKET	/	1
137	SCREW	M5*15L	1
30	HANDLEBAR	/	1
105	WATER BOTTLE HOLDER	BLACK	1
106	TABLET HOLDER	BLACK	1
103	SCREW	M6*P1.0*20L	2
111	FLAT WASHERS	M6[D16*d6.5*1.0t]	2

1. Remove the battery cover from the back of the **CONSOLE (110)**. Insert 2 AAA batteries into the battery compartment and reinstall the battery cover. When battery working voltage is low, the "low battery" indicator will show up on the Console display.
2. Place the **CONSOLE BRACKET (109)** on the back of the console and secure it using 1 **SCREW**

(137) from the console box. Tighten with the Wrench (C).

3. Position the **CONSOLE BRACKET (109)** on the **HANDLEBAR (30)** making sure to align the screw holes with fine screw holes of the Handlebar. Align the screw holes of the **WATER BOTTLE HOLDER (105)** with the **TABLET HOLDER (106)** and the Handlebar. Secure using 2 **SCREWS (103)** and 2 **FLAT WASHERS (111)** and tighten with the L-hex Wrench (A).
4. Pull out the **SAFETY PIN(35)** and slide the **HANDLEBAR** onto the **POST (37)**.

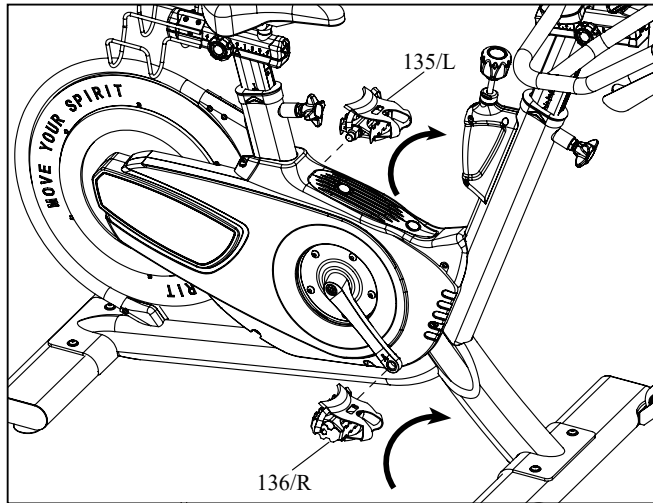
CIC850 STEP SIX



HARDWARE FOR STEP 6			
PART	TYPE	DESCRIPTION	QTY
35	SAFETY PIN	/	1
37	HANDLEBAR POST	/	1
27	Flat cross head screw	M5*PO.8*8L	6
28	Spring Washer	SW5*1.0t	6
113	Left dumbbell Holder	/	1
114	Right dumbbell Holder	/	1

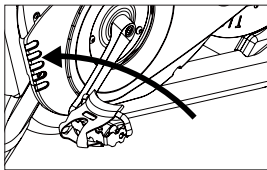
1. Remove the 3 **SCREWS (27)** with 3 **SPRING WASHERS (28)** from the seat slider assembly. Attach the **LEFT DUMBBELL HOLDER (113)** to the seat slider and secure with 3 **SCREWS (27)** and 3 **SPRING WASHER (28)** by the **Wrench (C)** tighten.
2. Repeat for the **RIGHT DUMBBELL HOLDER (114)**.

CIC850 STEP SEVEN

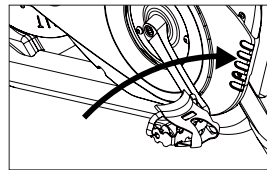


HARDWARE FOR STEP 7			
PART	TYPE	DESCRIPTION	QTY
136L/R	PEDAL		2

1. Remove pedals from the components box.
2. Look at the end of the pedal axle and notice each pedal is marked with an R and L on the spindle. It is indicated which side of bike the pedal is intended to assemble.
3. Apply some grease to the threads if needed. Locate the pedal marked "R" on the spindle on the right side of crank (chain guard side). Turn **clockwise** and tighten with the wrench firmly.
4. Apply some grease to the threads if needed. Locate the pedal marked "L" on the spindle on the left side of the crank. Turn **counter-clockwise** and tighten with the wrench firmly.

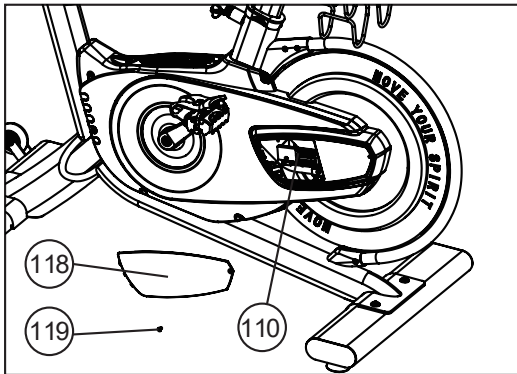
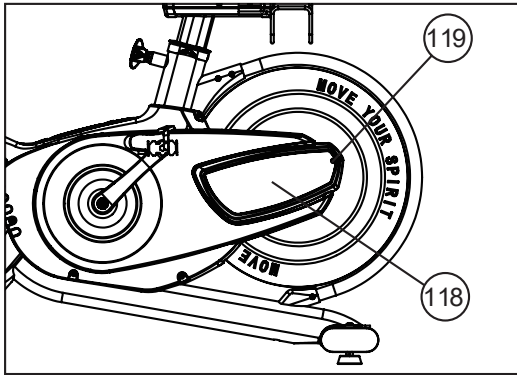


Left pedal assembly



Right pedal assembly

CIC850 STEP EIGHT



HARDWARE FOR STEP 8

PART	TYPE	DESCRIPTION	QTY
119	SCREW		1

1. Loosen the **SCREW (119)** using the **Wrench (C)**. Remove the **LEFT CHAIN GUARD B (118)**.
2. Insert the new battery on the sensor board. Replace the **LEFT CHAIN GUARD B (118)** and secure with the **SCREW**.

PAIRING THE CONSOLE AND TRANSMITTER

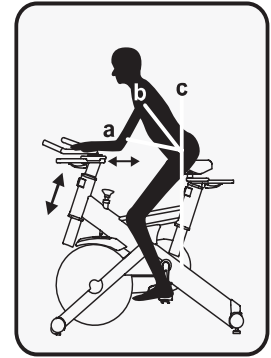
NOTE: ALL TRANSMITTERS ARE PAIRED WITH THE CONSOLE BEFORE SHIPPING. THESE STEPS SHOULD ONLY NEED TO BE USED IN CIRCUMSTANCES WHERE THE DEVICES HAVE BEEN UNPAIRED.

1. Hold both **MODE** and **SET** keys on the console for 3 seconds.
2. On the speed transmitter, press the small "**SPEED CONTROL PAIR KEY**".
3. The console should read "**0**" once a successful pairing has been established.
4. If the console reads "**Err**", the pairing has failed. Press the **SET** key to repeat the pairing steps again. (Note if no action is taken within 10 seconds the console will automatically exit pairing mode.)

HANDLE BAR ADJUSTMENT

HANDLEBAR HEIGHT ADJUSTMENT

1. The handlebar height is a matter of preference. Start with a handlebar height that is the same as the seat's height. Adjusting the handlebar higher will give the rider a more upright position; lower will result in a more crouched position.
2. Raise or lower the handlebar by loosening the knob on the handlebar post and adjust by sliding the handlebar mount up or down as desired. Then tighten the knob to secure the handlebar post. Note the final position mark on the handlebar post for future reference.



ADJUSTMENT OF HANDLEBAR'S FORWARD/AFT POSITION

1. Loosen the knob under the handlebar and slide the handlebar forward or backward as desired. A suitable forward/aft position should allow the rider to comfortably grasp the handlebar with a slight bend at the elbow.
2. Tighten the knob to secure the handlebar assembly.

RESISTANCE ADJUSTMENT

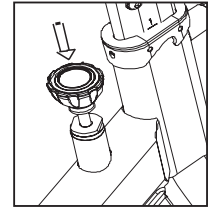
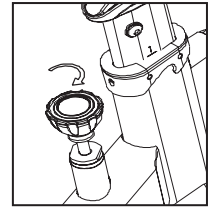
Resistance can be adjusted easily at any time while riding to change the intensity of workout. Turn the knob clockwise (+) to increase resistance. Turn the knob counterclockwise (-) to decrease resistance.

EMERGENCY BRAKE

In case of emergency or before dismounting the indoor cycle, presses directly **DOWN** on the resistance knob to stop the flywheel and pedal.

PEDAL STRAP ADJUSTMENT

Place the ball of your feet in the toe clip till the front of the shoe is snugly in the cage. Then tighten the strap of toe clip around your shoe by pulling up on the strap until cage of toe clip fits snugly around the shoe.

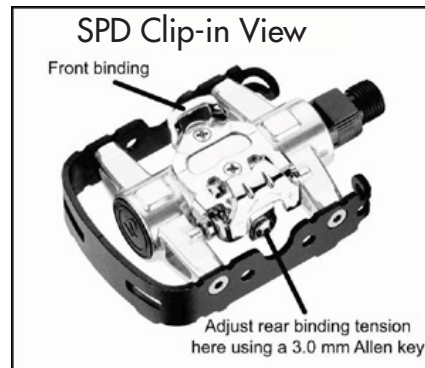


ADJUSTING THE PEDAL STRAPS

Place your feet in between the aluminum surface of the pedal and the nylon foot strap that wraps around it. To adjust the fit, pull the end of the adjustable strap down to tighten, or pull the strap up to loosen.

USING THE SPD CLIP-IN PEDALS

Engage the clip-in pedals by placing clip-in between bindings while pushing down. Disengage by twisting heel outwards away from exercise bike. Binding tension is adjustable and should be set so that clip-in and shoe do not disengage when pedaling. Use an Allen key to turn tension adjusting screws, clockwise to increase binding tension, counterclockwise to decrease binding tension.



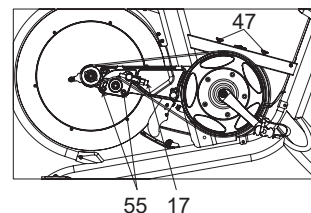
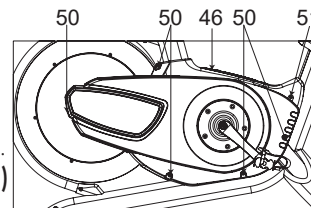
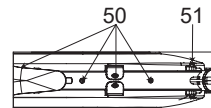
BELT TENSION ADJUSTMENT

The belt tension had been set before shipping. It should not need to be adjusted when first using. However, you may need to make the minor tension adjustment over time.

NOTE: Make sure you adjust both sides equally - either tighten or loosen the belt tension so that the flywheel maintains alignment with the frame.

ADJUST THE BELT TENSION

1. Remove the **2 Guard (Top) Cover (No. 47)** on the **Guard (top) (No. 46)**. Remove the **4 Screws (No. 50)** and **2 Screws (No. 51)**. Remove the **Guard (top) (No. 46)**.
2. Remove the **7 Screws (No. 50)** and remove the **Right guard (No. 44)**.
3. Use **L type wrench (B)** to loosen **2 Hex Screws (No. 55)** with two turns counterclockwise.
4. Use **L type wrench (B)** to adjust **Screw (No. 17)**. Turn counter-clockwise to loosen belt. Turn clockwise to tighten belt. Then adjust the belt. Tighten the **2 Hex Screws (No. 55)** clockwise.
5. Turn the crank to see if belt runs smoothly. You can also try riding the bike to test the belt tension. If there is still a problem, repeat step #4 until belt is at correct tension.
6. Put the **Right guard (No. 44)** back on and re-tighten the **Screws (No. 50)**. Put the **Guard (top) (No. 46)** back on and re-tighten the **4 Screws (No. 50)** and **2 Screws (No. 51)**.



INDOOR CYCLE SETUP

LEVELERS

Place the cycle on a level area, if at all possible. If the cycle needs leveling, turn the levelers clockwise or counterclockwise until the base is stable and does not rock.

ADJUSTMENT KNOBS

All four adjustment levers function the same way. Turn the knob clockwise to tighten and counterclockwise to loosen.

SEAT

The pitch of the saddle can be adjusted to accommodate all users. Loosen the horizontal bolt under the seat to adjust the pitch, then retighten.

TRANSPORTATION

The indoor cycle is equipped with two transport wheels, which are engaged when the rear of the CIC850 indoor cycle is lifted.



CIC850 CONSOLE OPERATION



Cadence Bar Graphic: 0 - 199RPM
 RPM: 0 - 199RPM
 SPEED: 0 - 99 KM/H
 PULSE: 30 - 240BPM
 TIME: Count Down Range 1 - 99 Minutes
 Count Up Range 00:01 - 99:59
 Protocol: BLE4.0

TIME

Time is the length of time (min. / sec.) The time will count up or count down during user peddling. When peddling stopped, the time will stop to count up or count down after 3 seconds.

CADENCE & SPEED

Cadence is the measurement of how fast the cranks are rotating in RPM's. The approximate speed of the bike can also be display (MPH/KPH) in the section. In addition to the MPH/KPH, the CADENCE will also display a bar graph that allows the rider to keep track of the approximate cadence that has been achieved. Average Cadence or Speed will be automatically shown after the rider stop the pedaling for 3 seconds.

DISTANCE

Distance is the measurement of the approximate distance achieved on the bike. This distance is based on the user riding a bike with tires that are the same size as the bikes flywheel.

KCAL

Kcal is the approximation of calories burned during your work out. The calories are calculated by measuring the rider's instantaneous heart rate, age, and weight.

HEART RATE (apply to HR featured models only)

This is the approximation of heart rate detect from the chest belt during the work out. Average Heart Rate will be automatically shown after 3 seconds if the console cannot detect the current Heart Rate.

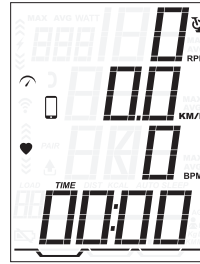
QUICK START

In Power Saving Mode, Press Page Key will bring the CONSOLE to 'QUICK Start' active state.

Power Saving Mode

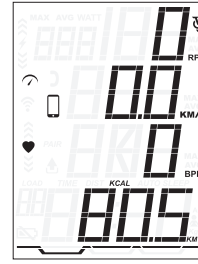
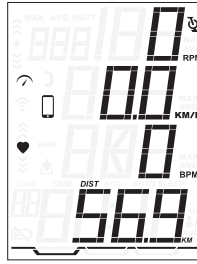
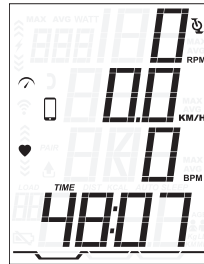


Quick Start Mode



MODE SELECT

Press 'MODE' key to select the TIME, DIST, KCAL display.



RESETTING ALL MEASURED VALUE

To clear all the measured values, press and hold the Page key under the TIME Mode for 3 seconds. All the measured value for **AVG SPEED, AVG PULSE, TIME, DIST, KCAL** will reset to zero.

TIMER SETTING

The TIMER displays users' exercise-workout time. Set the count down time by holding the "Page" button down for 3 seconds. Press "Page" again to continue. Now, press the "Mode" button until the desired time is displayed. If the user does not set the COUNT DOWN TIME, the TIME will count up from 00:00 to 99:59.

If user prior set the COUNT DOWN TIME, the TIME will count down to zero with flashing display and Alarm automatically from counting down to counting up from 00:01. The user can go into TIMER setting from SPEED or DISTANCE Mode by press and hold 'SET' key for 3 seconds.

CHANGING BETWEEN METRIC AND IMPERIAL

Hold the PAGE button for 3 seconds until the display starts flashing with TIME displayed. Press the PAGE button to select KG or LB (metric or imperial). Press MODE to confirm your selection.

HEART RATE TARGET ZONES

Under the DIST or KCAL, hold the Page Key for 3 seconds to go into the settings. Press MODE to go to the heart rate icon then press Page to go to the heart rate target zone window.

Press the MODE key to increase the maximum heart rate limit. After setting the maximum heart rate, press the Page key to adjust the minimum heart rate.



PERSONAL DATA SETTINGS

Accurate personal data will make your calories burned more accurate. Under KCAL or DISTANCE MODE, Hold Page key for 3 seconds to go into the setting, continually press 'MODE' key to get to the heart rate windows.

1. Press the Page key to select the gender, either: Male / Female
2. Press the Page key to go to the weight unit setting. Press the Mode key to select the weight, either: Kg. / Lb.
Note: this change of metric units to imperial units will affect the displaying units: MPH/KPH, Lb/KG and ML/KM.
3. Press the Page key, this will go to the weight setting. Press the Mode key to increase the weight by 0.5 Kg. or 0.5lb.

BLUETOOTH PAIRING

1. Press the smart phone key on the console.
2. On your phone, open the desired app and search for devices to pair.
3. Select the bike console once it is shown on your device. The app and bike console should now be paired.

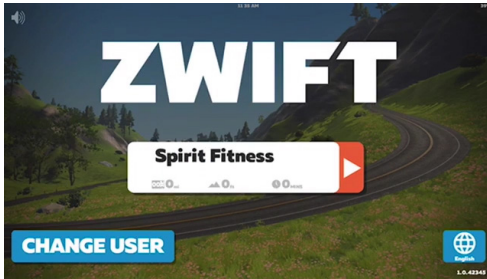
PAIRING THE CONSOLE AND TRANSMITTER

NOTE: ALL TRANSMITTERS ARE PAIRED WITH THE CONSOLE BEFORE SHIPPING. THESE STEPS SHOULD ONLY NEED TO BE USED IN CIRCUMSTANCES WHERE THE DEVICES HAVE BEEN UNPAIRED.

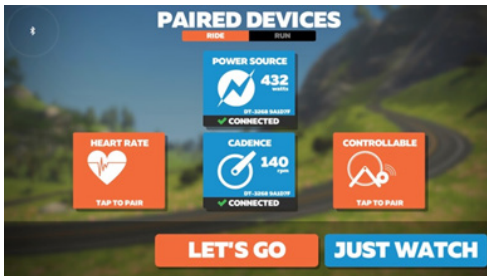
1. Hold both MODE and SET keys on the console for 3 seconds.
2. On the speed transmitter, press the small "SPEED CONTROL PAIR KEY".
3. The console should read "0" once a successful pairing has been established.
4. If the console reads "Err", the pairing has failed. Press the SET key to repeat the pairing steps again. (Note if no action is taken within 10 seconds the console will automatically exit pairing mode.)

CONNECTING TO ZWIFT

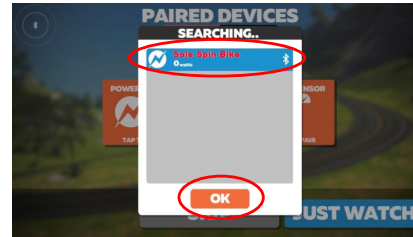
1. Log in to Zwift.



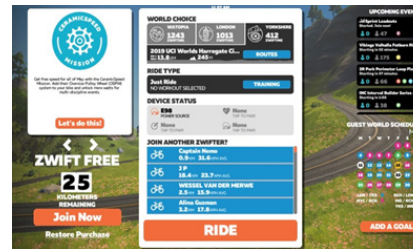
2. Select the power source and cadence, the system will prompt you to select machine.



3.



4. Select ride to start



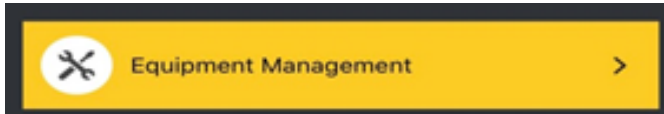
5. Enjoy the ride!

CONNECTING TO KINOMAP

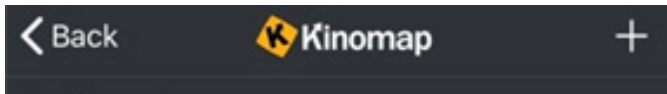
1. Select "More" on the bottom right corner



2. Select equipment management



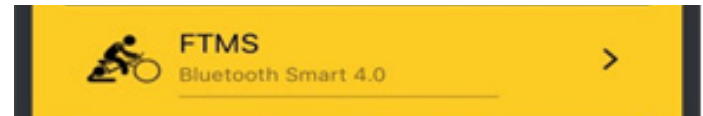
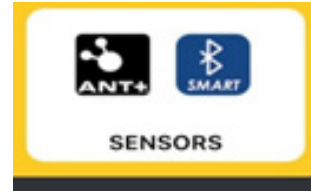
3. Select "+" on the top right corner



4. Select exercise bike



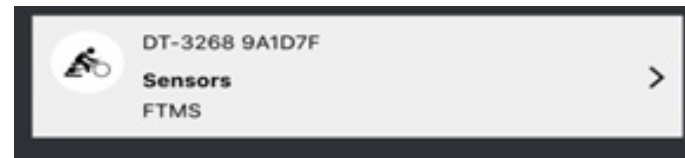
5. Select "sensor" at the very bottom



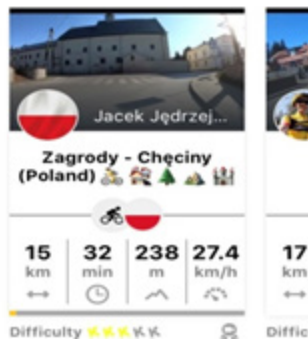
6. Select machine you wish to connect



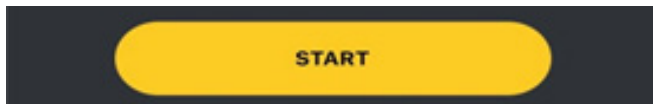
7. Successfully paired machine will show up on this page



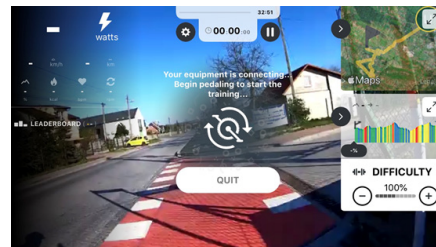
8. Go to browse to select a video you would like to play



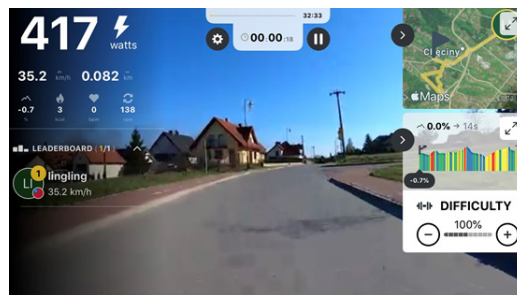
9. Select Start



10. Press start on the console when kinomap ask you to start pedaling



11. Enjoy the ride!



The console is compatible with most virtual active apps available.

GENERAL MAINTENANCE

1. Wipe down all areas in the sweat path with a damp cloth after each workout.
2. If a squeak, thump, clicking or rough feeling develops the main cause is most likely one of two reasons:
 - a. The hardware was not sufficiently tightened during assembly. All bolts that were installed during assembly need to be tightened as much as possible. It may be necessary to use a larger wrench than the one provided if you cannot tighten the bolts sufficiently. We cannot stress this point enough; 90% of calls to the service department for noise issues can be traced to loose hardware.
 - b. The crank arm nut needs to be retightened.
- c. If squeaks or other noises persist, check that the unit is properly leveled. There are 2 leveling pads on the bottom of the rear stabilizer, use a 14mm wrench (or adjustable wrench) to adjust the levelers.

SANITIZING YOUR SPIRIT FITNESS EQUIPMENT

- Upholstered high-contact surfaces (hard plastics) can be sanitized using a 75% isopropyl alcohol solution and a clean, dry cloth. Spray surfaces to be sanitized, and use the dry cloth to wipe clean. Allow surfaces to dry before using.
- For upholstered or soft-plastic surfaces, use a conditioner after sanitizing. Be sure to follow the instructions provided by the conditioner manufacturer to ensure proper use of the conditioner.
- Alternatively, you can make your own spray by mixing the proper ratio of isopropyl alcohol and distilled water to reach a 75% solution.
- For more details on sanitization, or to learn how to make your own spray solution, please visit <https://support.spiritfitness.com/hc/en-us/articles/4406787148564> .

MAINTENANCE SCHEDULE

Part	Recommended Action	Frequency	Cleaner
Pedals	Ensure that pedals are tight in crank arms, that all screws on pedals are tight, and that the pedal straps are not frayed.	Before each Use	N/A
Frame	Wipe down using a clean, soft damp cloth	Daily	Water
Flywheel	Wipe down using a clean, soft damp cloth	Weekly	Water
Brake Pad	Check for wear	Monthly	N/A

1. Do not service internal parts of pedals. If they are found to be worn internally, we recommend replacing the pedal.
2. Use of lubricants or cleaning solutions other than those so specified will result in diminished performance and a shorter life span for that part.

TROUBLESHOOTING

No Display on Console

1. Press any key to bring the console to 'Quick Start' mode.
2. Ensure that the batteries are installed properly in the Console and Transmitter. If they are, install fresh batteries.

No Heart Rate signal displayed

1. Ensure that your chest strap is worn correctly, and that there is moisture under the electrodes of the chest strap.
2. Relocate the bike away from any equipment that could potentially interrupt the radio frequency signal, such as a DVD player or television, etc.

RPM or HR does not change

1. Press 'MODE key' repeatedly to toggle between SPEED (SPD), DISTANCE (DIST), TIME (TIME) and CLOCK (CLK) values.
2. Press and Hold 'SET key' repeatedly to clear past measured value or go into setting and exit.

Cadence number jumps high or low

1. Separate bikes that may be paired to the same console code and are cross-talking, or simply run transmitter pair stage again on the bike.
2. Relocate the bike to a different part of the room, away from any RF interference areas.

Heart Rate signal gets interrupted or drops out

1. Ensure that there is a minimum distance of 36 inches between bikes.
2. Verify that your chest strap is secure and that the electrodes are making contact with your chest at all times.

CONSOLE BATTERY INSTALLATION:

1. Remove the battery cover from the back of the computer.
2. Insert 2 AAA batteries into the battery compartment and reinstall the battery cover.
3. When battery voltage is low, the 'Low battery' indicator will show up on the Console display.

INDOOR CYCLE WARRANTY – EFFECTIVE NOVEMBER 08, 2021

Spirit Fitness warrants all its Indoor Cycle parts for a period of time listed below from the date of retail sale, as determined by sale receipt, or in the absence of a sales receipt eighteen (18) months from the original factory shipping date. Spirit Fitness’ responsibilities include providing new or remanufactured parts, at Spirit Fitness’ option, and technical support to our independent dealers and servicing organizations. In the absence of a dealer or service organization, these warranties will be administered by Spirit Fitness directly to a consumer. The warranty period applies to the following components:

Warranty	Frame	Parts	Labor	Console & Wear Items*
Commercial (Health Clubs, YMCA, Community Centers, dues paying facilities)	10 Years	3 Years	1 Year	1 Year
Commercial (non-dues paying facilities)	15 Years	3 Years	1 Year	1 Year
Residential	Lifetime	3 Years	1 Year	1 Year

*Wear Items include items such as grips, end caps, and toe cage straps.

*Prisons and correctional facilities are excluded from warranty coverage.

NORMAL RESPONSIBILITIES OF THE CONSUMER

1. The warranty registration card must be completed and returned to the address listed on the card within 10 days of the original purchase, or completed online to validate the manufacturer’s limited warranty.
2. Proper use of the fitness equipment in accordance with the instructions provided in this manual.
3. Expenses for making the fitness equipment accessible for servicing, including any item that was not part of the fitness equipment at the time it was shipped from the factory.
4. Damages to the fitness equipment finish during shipping, installation or following installation.
5. Routine maintenance of this unit as specified in this manual.

EXCLUSIONS

This warranty does not cover the following:

1. CONSEQUENTIAL, COLLATERAL, OR INCIDENTAL DAMAGES SUCH AS PROPERTY DAMAGE AND INCIDENTAL EXPENSES RESULTING FROM ANY BREACH OF THIS WRITTEN OR ANY IMPLIED WARRANTY.
Note: Some states do not allow the exclusion or limitation of incidental or consequential damages, so this limitation or exclusion may not apply to you.
2. Service call reimbursement to the consumer. Service call reimbursement to the dealer that does not involve malfunction or defects in workmanship or material, for units that are beyond the warranty period, for units that are beyond the service call reimbursement period, for fitness equipment not requiring component replacement, or fitness equipment not in non-dues paying facility or household use.
3. Damages caused by services performed by persons other than authorized Spirit Fitness service companies; use of parts other than original Spirit Fitness parts; or external causes such as corrosion, discoloration of paint or plastic, alterations, modifications, abuse, misuse, accident, improper maintenance, inadequate power supply, or acts of God.
4. Products with original serial numbers that have been removed or altered.
5. Products that have been: sold, transferred, bartered, or given to a third party.
6. Products that do not have a warranty registration card on file at Spirit Fitness. Spirit Fitness reserves the right to request proof of purchase if no warranty record exists for the product.
7. THIS WARRANTY IS EXPRESSLY IN LIEU OF ALL OTHER WARRANTIES EXPRESSED OR IMPLIED, INCLUDING THE WARRANTIES OF MERCHANTABILITY AND/OR FITNESS FOR A PARTICULAR PURPOSE.
8. Product used in prisons and correctional facilities
9. Warranties outside of the United States may vary. Please contact your local dealer for details.

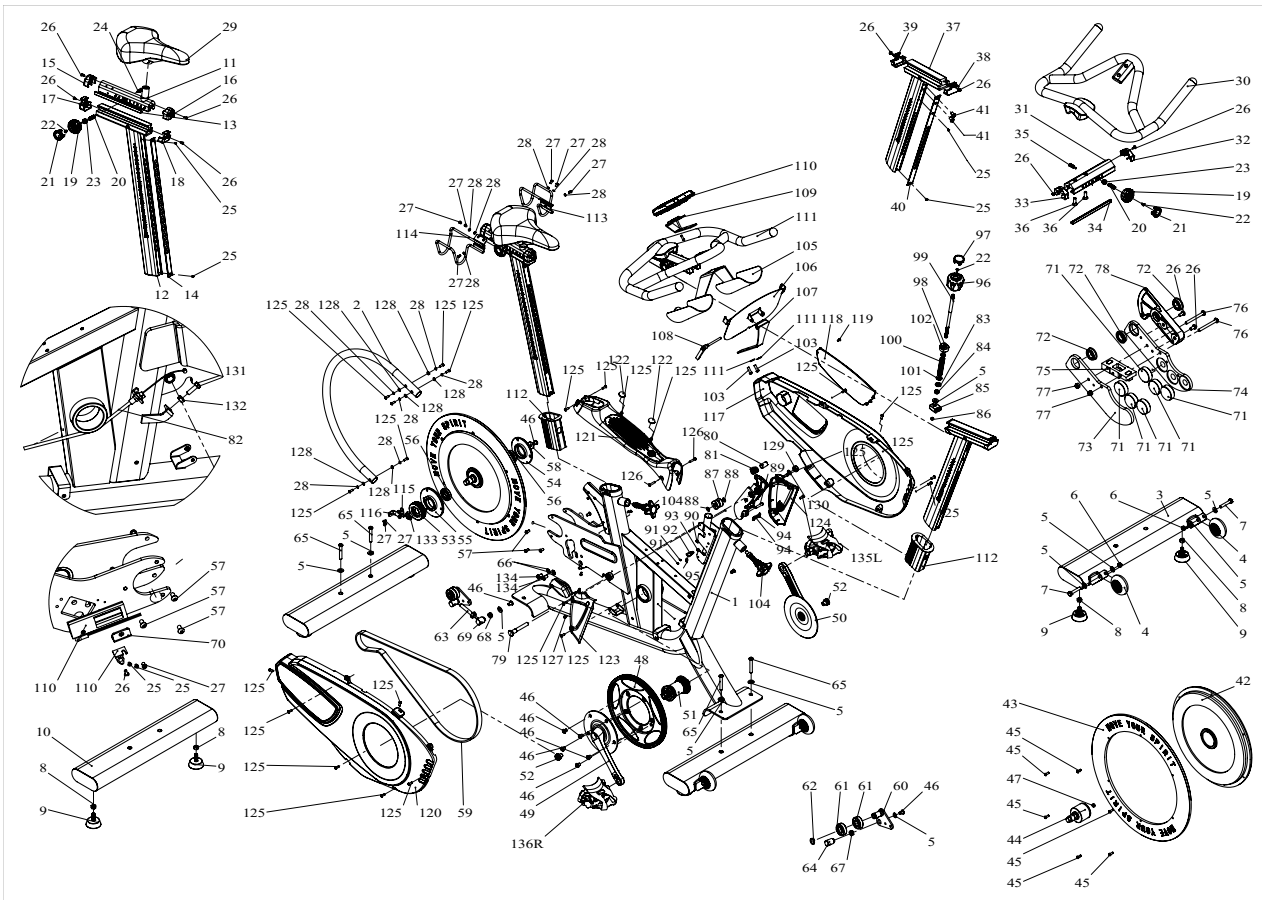
SERVICE

Keep your bill of sale. Twelve (12) months from the date on the bill of sale or eighteen (18) months from the date of factory shipping as determined by the serial number establishes the labor warranty period should service be required. If service is performed, it is in your best interest to obtain and keep all receipts. This written warranty gives you specific legal rights. You may also have other rights that vary from state to state. Service under this warranty must be obtained by following these steps, in order:

1. Contact your selling authorized Spirit Fitness dealer. OR
2. Contact your local authorized Spirit Fitness service organization.
3. If there is a question as to where to obtain service, contact our service department at (870) 935-1107.
4. Spirit Fitness' obligation under this warranty is limited to repairing or replacing, at Spirit Fitness' option, the product through one of our authorized service centers. All repairs must be preauthorized by Spirit Fitness. If the product is shipped to a service center freight charges to and from the service center will be the customer's responsibility. For replacement parts shipped while the product is under warranty, the customer will be responsible for shipping and handling charges. For in-home service, the customer will be responsible for a trip charge. There will be an additional trip charge if the customer is located over 100 miles from the nearest service center.
5. The owner is responsible for adequate packaging upon return to Spirit Fitness. Spirit Fitness is not responsible for damages in shipping. Make all freight damage claims with the appropriate freight carrier. DO NOT SHIP ANY UNIT TO OUR FACTORY WITHOUT A RETURN AUTHORIZATION NUMBER. All units arriving without a return authorization number will be refused.
6. For any further information, or to contact our service department by mail, send your correspondence to:

SPIRIT FITNESS, INC.
P.O. Box 2037
Jonesboro, AR 72402-2037

Product features or specifications as described or illustrated are subject to change without notice. All warranties are made by Spirit Manufacturing, Inc. This warranty applies only in the 48 contiguous United States. NOTE: This does not apply to Alaska or Hawaii.



CIC850 PARTS LIST					
No.	DESCRIPTION	QTY			
1	Frame	1	29	Saddle	1
2	Outer circle tube assembly	1	30	Handlebar	1
3	Front stabilizer assembly	1	31	Adjustment handlebar block(up)	1
4	Transportation wheel	2	32	Up sweat guard(front) (wider)	1
5	Flat washer SUS304 M8(D19*d8.5*1.0t)	8	33	Up sweat guard(back) (wider)	1
6	Nylon nut SUS304 M8*P1.25	2	34	Handlebar adjustment taut block	1
7	Hex screw M8*1.25*45L	2	35	Pop pin knob(long)	1
8	Hex nut 3/8"*16T*8t	4	36	Flat hex screw SUS304 M8*P1.25*25L	2
9	Leveler foot	4	37	Handlebar Post assembly	1
10	Rear stabilizer assembly	1	38	Down sweat guard(front) (wider)	1
11	Seat slider welding assembly	1	39	Down sweat guard(back) (wider)	1
12	Seat post assembly	1	40	Handlebar post panel	1
13	Seat adjustment taut block	1	41	Flat cross head screw SUS304 M8*P1.25*12L	2
14	Seat post panel	1	42	Flywheel set	1
15	Up sweat guard(back)	1	43	Aluminum Ring	1
16	Up sweat guard(front)	1	44	Flywheel AXIS	1
17	Down sweat guard(back)	1	45	Flat cross head screw SUS304 M5*PO.8*16L	6
18	Down sweat guard(front)	1	46	Flat cross head screw M8*P1.25*10L	8
19	Adjustable knob	2	47	Permanent magnet	1
20	Knob screw (UCP)9*27.5L	2	48	Sprocket / pulley	1
21	Brake knob-cover	2	49	Right crank	1
22	Flat cross head screw (UCP)M4*PO.7*10L	3	50	Left crank	1
23	Knob bolt block	2	51	Bottom bracket set	1
24	Pop pin knob(short)	1	52	Crank fix screw	2
25	Flat cross head screw SUS304 M3*PO.5*6L	6	53	Small sprocket / pulley	1
26	Flat cross head screw SUS304 M4*PO.7*8L	11	54	Bearing block (left)	1
27	Flat cross head screw M5*PO.8*8L	9	55	Bearing block (right)	1
28	Spring Washer SW5*1.0t	12	56	Bearing 16004ZZ	2
			57	Flat cross head screw SUS304 M6*P1.0*12L	6
			58	Flat washer UCP D24*d8.5*1.5t	1

59	Belt 5PK 1360L	1	89	Handbrake shaft pin L	1
60	Idler pulley arm assembly	1	90	E type circlip 5	1
61	Bearing-6203ZZ	2	91	E type circlip 3	2
62	C type clip	1	92	Swing arm assembly	1
63	Idler pulley adjust screw	1	93	Nylon fixed pulley	1
64	Idler pulley positioning nut	1	94	Handbrake shaft pin B	2
65	Flat cross head screw SUS304 M8*P1.25*55L	4	95	Extension spring	1
66	Flat washer M8(D16*d8.2*1.0t)	3	96	Brake Knob	1
67	Idler pulley casing	1	97	Brake knob up cover	1
68	Flywheel Fixed sheet casing A	1	98	Brake knob cover	1
69	Flywheel Fixed sheet Positioning nut	1	99	Brake rod	1
70	Sensor board fixing piece	1	100	Compression spring	1
71	Permanent magnet	6	101	Square plastic bushing	1
72	Bearing-LF-1910ZZ	3	102	Flat washer SUS304 M8(D16*d8.1*1.6t)	1
73	Brake block (right)	1	103	Flat cross head screw SUS304 M6*P1.0*20L	2
74	Brake block (left)	1	104	Star-type pop pin knob	2
75	Brake gasket assembly	1	105	Water bottle holder	1
76	Flat cross head screw SUS304 M4*P0.7*40L	2	106	Tablet Holder	1
77	Nylon nut SUS304 M4*P0.7	2	107	Fixed base assembly	1
78	Brake line Turntable	1	108	L type knob	1
79	Brake block axis	1	109	Console bracket	1
80	Brake block axis lining	1	110	Console DT-3268F	1
81	Brake Spring	1	111	Flat washer SUS304 M6(D16*d6.5*1.0t)	2
82	Brake line	1	112	Bushing (seat post/handlebar)	2
83	PE Washer	1	113	Left dumbbell Holder	1
84	Nylon nut SUS304 M8*P2.0	1	114	Right dumbbell Holder	1
85	Slider block	1	115	Outside plate fixing part backing plate	1
86	Nylon nut SUS304 M5*P0.8	1	116	Outside plate fixing	1
87	Fixed pulley	1	117	Left chain guard A	1
88	Nylon bushing (black)	2	118	Left chain guard B	1

119	Flat cross head screw M4*P0.7*10L	1
120	Right chain guard B	1
121	Chian guard up	1
122	Chian guard up cover	2
123	Brake guard right	1
124	Brake guard left	1
125	Flat cross head screw M5*P0.8*14L	25
126	Flat cross head screw M5*P0.8*25L	2
127	Round head Phillips tapping screws	1
128	Flat washer M5(5.3*10*1t)	6
129	Nylon nut SUS304 M10*P1.5	1
130	Flat washer (D16*d10.2*1.0t)	1
131	Hex screw M6*P1.0*20L	1
132	Hex nuts (UCP)M6*P1.0*5.0t	1
133	Hex nuts (UCP)M16*P1.5*7.8t	1
134	Flat cross head screw M8*P1.25*15L	2
135	Pedal L/R	1
/136		
137	Screw M5*15L	1



800.258.4555
spiritservice@spiritfitness.com
www.spiritfitness.com



Spirit Fitness
3000 Nestle Road
Jonesboro, AR 72401



CIC850 Owners Manual
© 2021 All Rights Reserved
Revision 5: 05.05.2022