

# TRIMYXS



## Assembly Manual

# Table of Contents

---

Safety Instructions.....	3
What's In The Box.....	4
Tools Needed.....	5
Hardware .....	6
Mower Type "C" Installation.....	9
Installing the Wire Harness.....	14
Changing the Trimmer Spool.....	15
Advancing the String Trimmer Line.....	16

# Safety Instructions

---

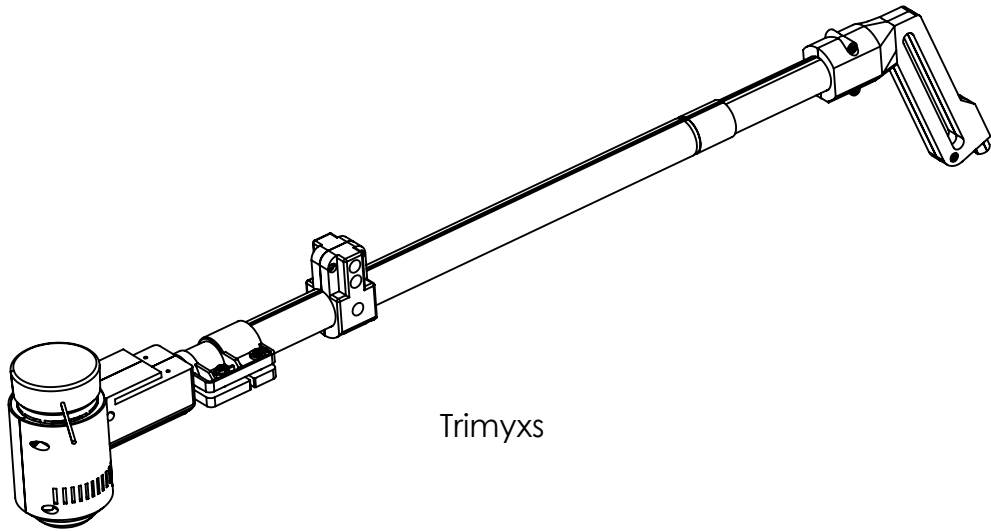
## General Safety

Before operating this string trimmer, read and observe all warnings, cautions, and instructions on the string trimmer and in this Owner's Manual.

NOTE: The following safety information is not meant to cover all possible conditions and situations that may occur. Read the entire Owner's Manual for safety and operating instructions. Failure to follow instructions and safety information could result in serious injury or death.

This safety alert symbol is used to identify safety information about hazards that can result in personal injury.

# What's In The Box



Trimyx



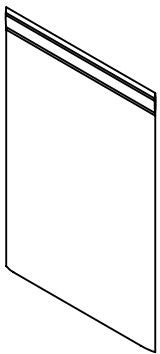
Trimmer Guard



Battery



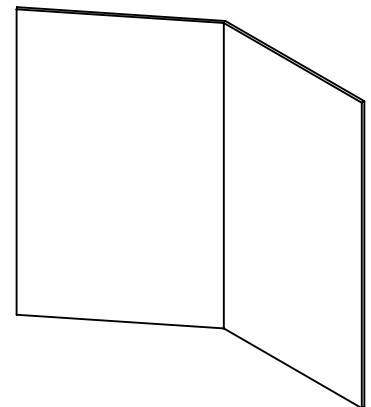
Charger



Hardware  
Bags



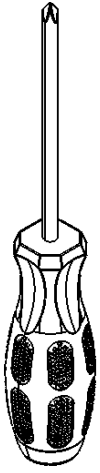
Battery Harness



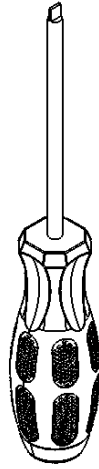
Instruction Slip

# Tools Needed

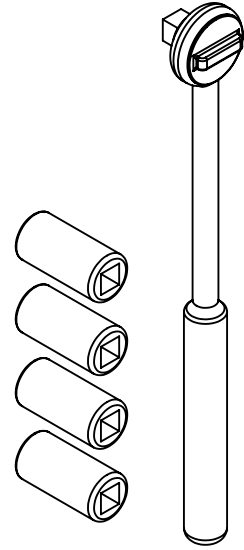
---



Phillips  
Screwdriver



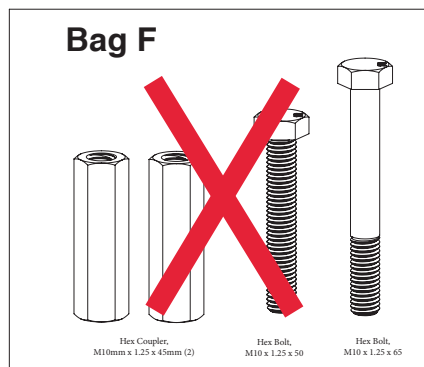
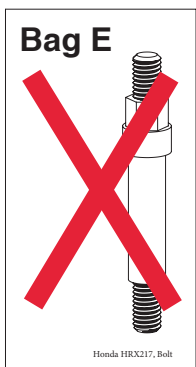
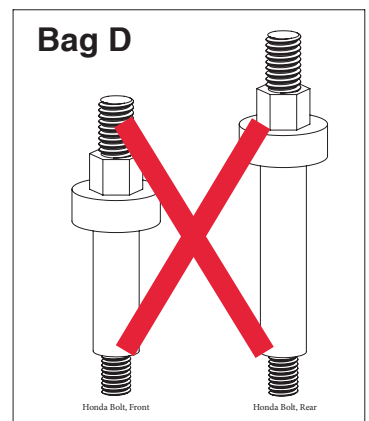
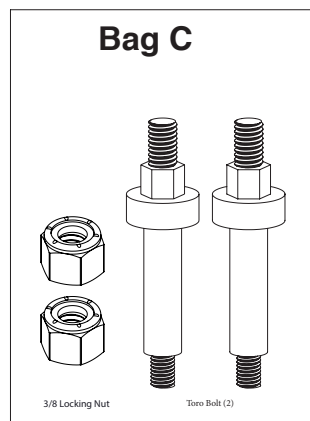
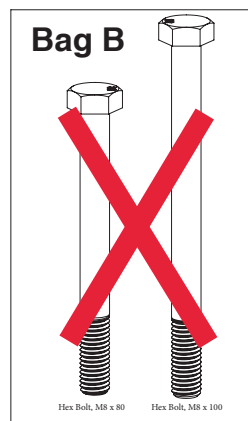
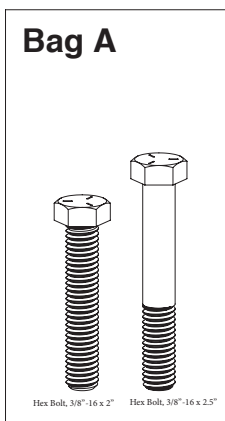
Flathead  
Screwdriver



Socket Set

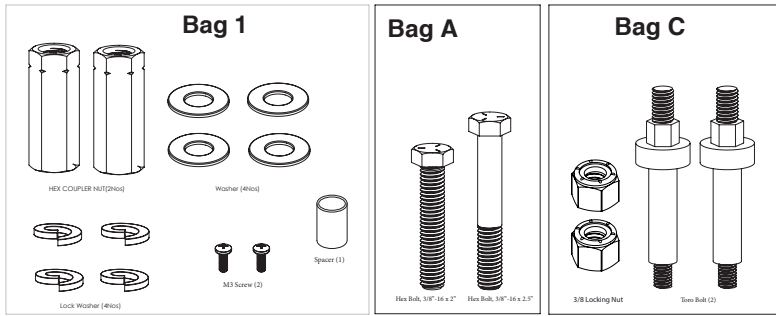
# Hardware

Bag	1	A	B	C	D	E	F	G
<b>Mower Type</b>	General hardware for all systems	Ariens DeWalt Craftsman Cub Cadet Husqvarna Hyper Tough Poulan Pro Powersmart Pulsar Remington Troy-bilt Yard Machines Yardmax	Atlas Ego Greenworks Kobalt Makita Milwaukee STIHL	Toro	Honda	Honda HRX217	Ryobi Milwaukee	Murray Senix

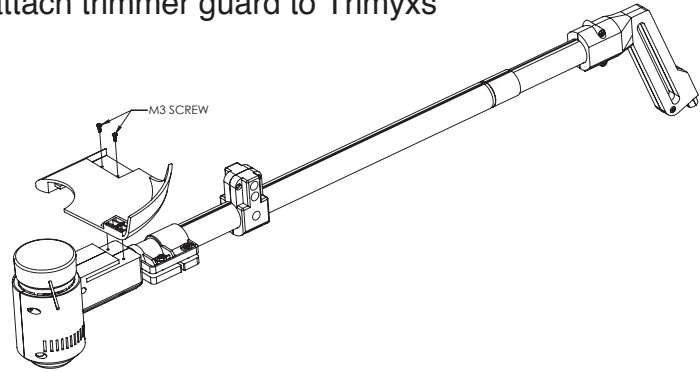


# Mower Type "C" Installation

## Hardware Bags Required

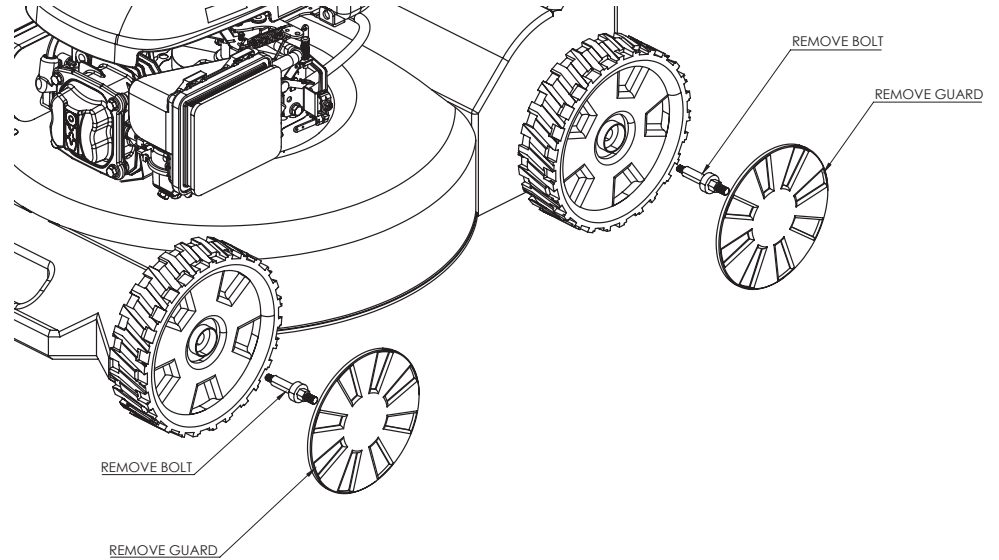


**Step 1:** Using screws from Bag 1 attach trimmer guard to Trimyx

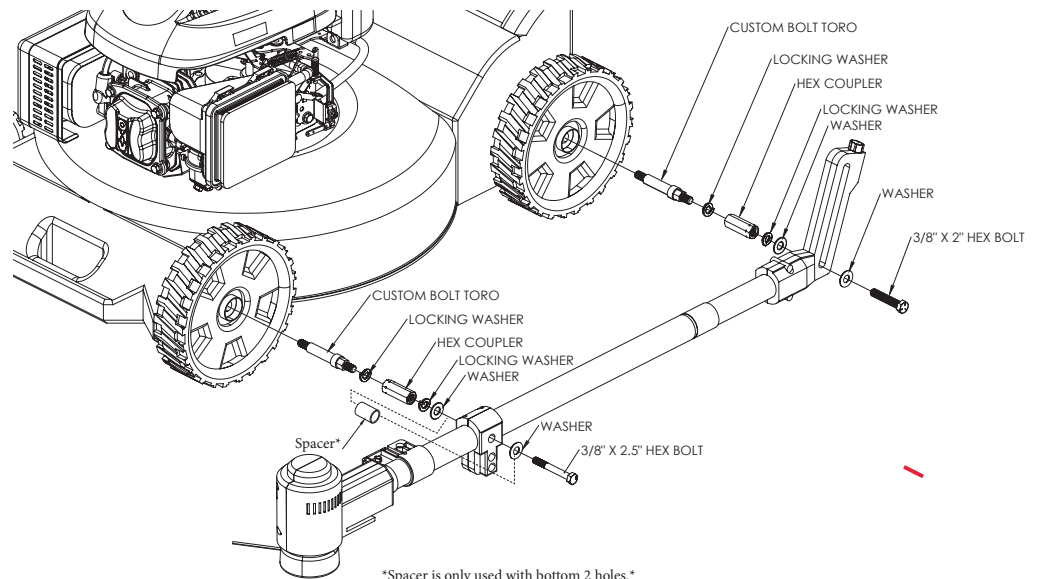


**Step 2:**  
 Remove wheel cover  
 (if applicable)

Remove existing nut



**Step 3:**  
 Install Trimyx  
 Hardware



\*Spacer is only used with bottom 2 holes.\*

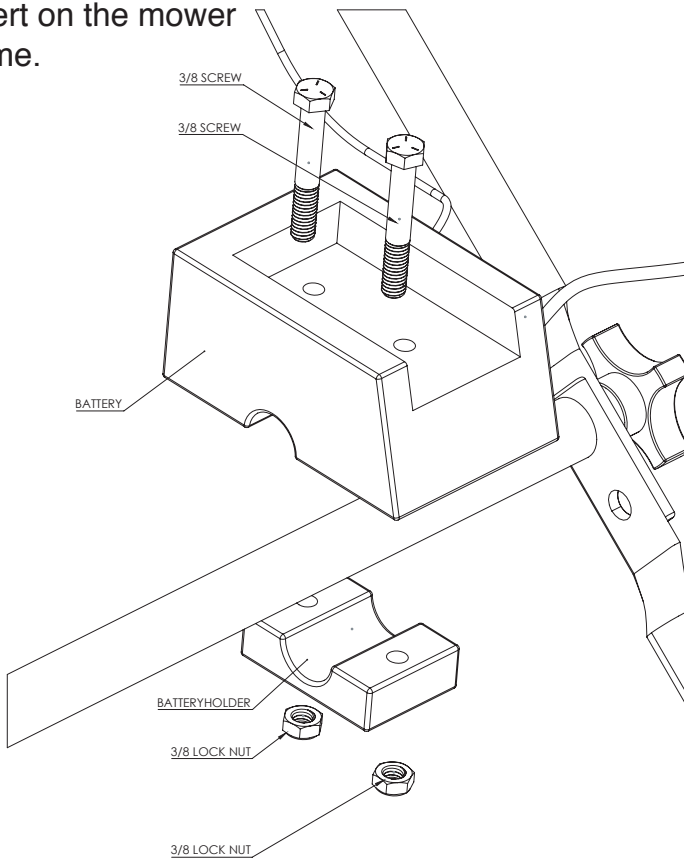
Video  
 Instructions



# Installing the Wire Harness

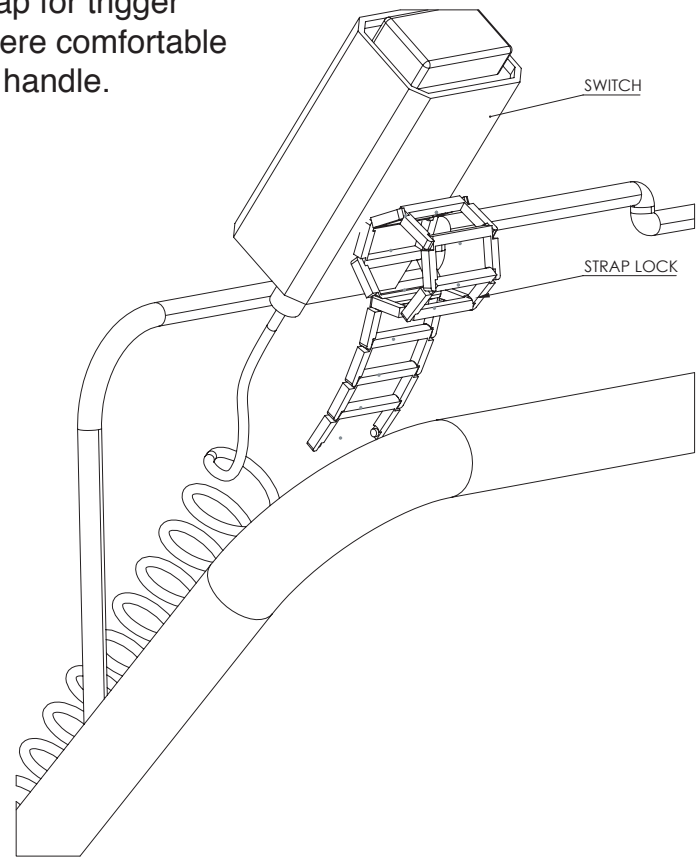
## Step 1

Attach the battery insert on the mower frame.



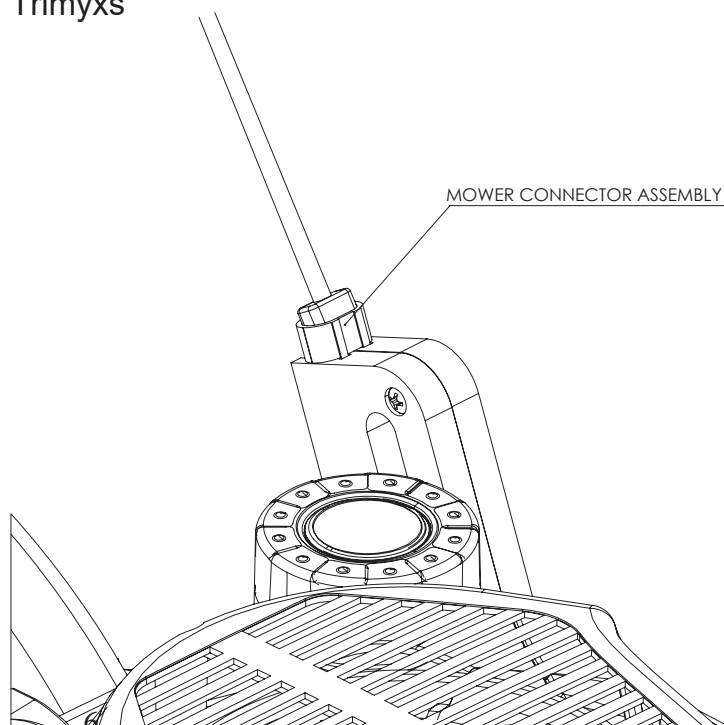
## Step 2

Attach the flexible strap for trigger where comfortable on handle.



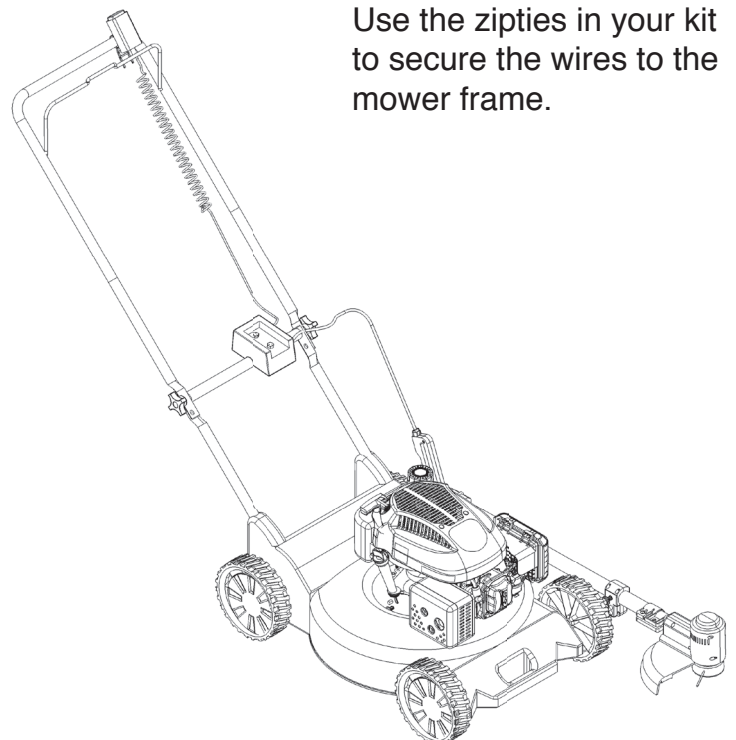
## Step 3

Connect the plug-in from harness to Trimyx



## Step 4

Use the zipties in your kit to secure the wires to the mower frame.



**TRIMYXS®**



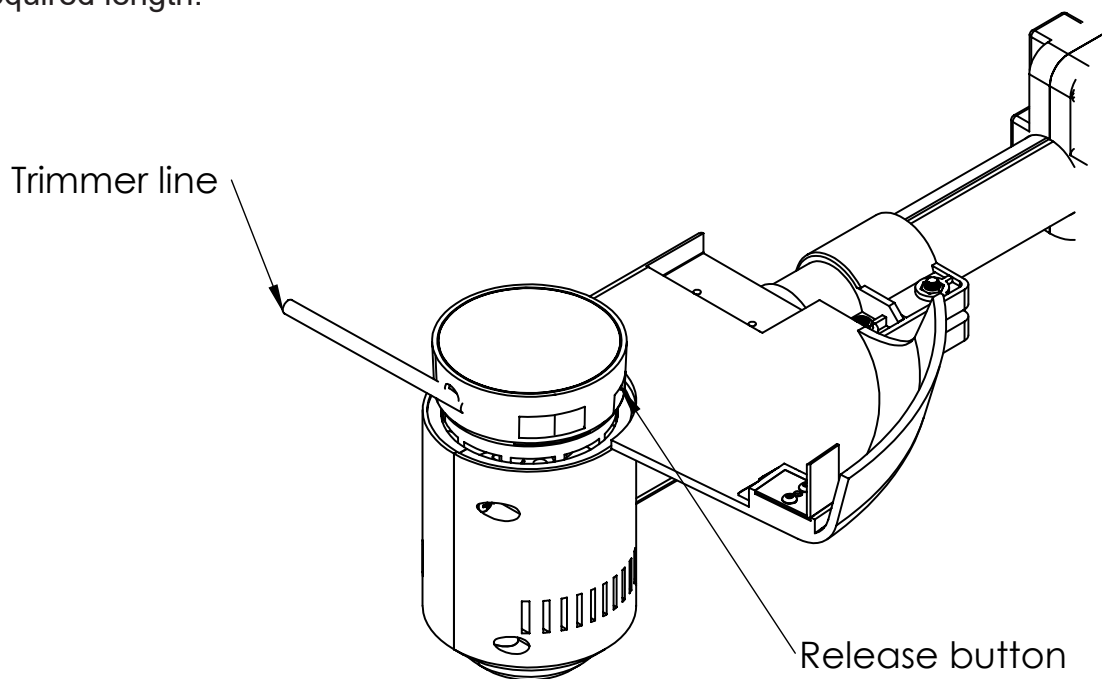
# Advancing the String Trimmer Line

Once installed on mower

1. Press trigger for 3 seconds and release
2. Wait for trimmer head to come to a complete stop (Important for trimmer head to come to a complete stop)
3. Repeat steps 1 & 2 until trimmer line is desired length
4. If line does not feed properly, follow the steps below:
5. Remove battery
6. Turn trimmer head to edging position
7. Push & hold button on trimmer head and pull the line to manually extend the line to desired length
8. Note: A line cutter is attached to the guard to ensure length of line does not exceed the required length.

1. Remove battery
2. Turn trimmer head to edging position
3. Press the release button on the trimmer head and pull the line to manually extend the line to desired length

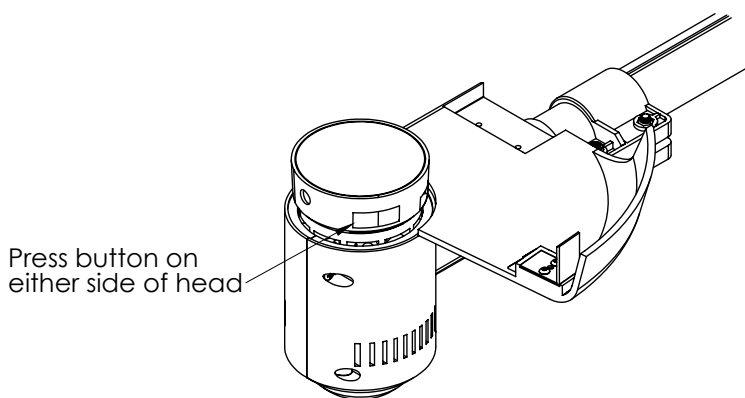
Note: A line cutter is attached to the guard to ensure length of line does not exceed the required length.



# Changing the Trimmer Spool

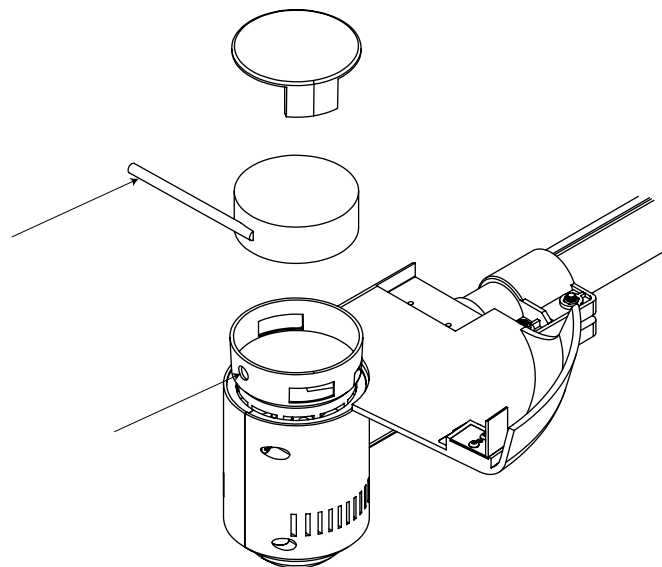
## Step 1

Press 2 release buttons on either side of trimmer head



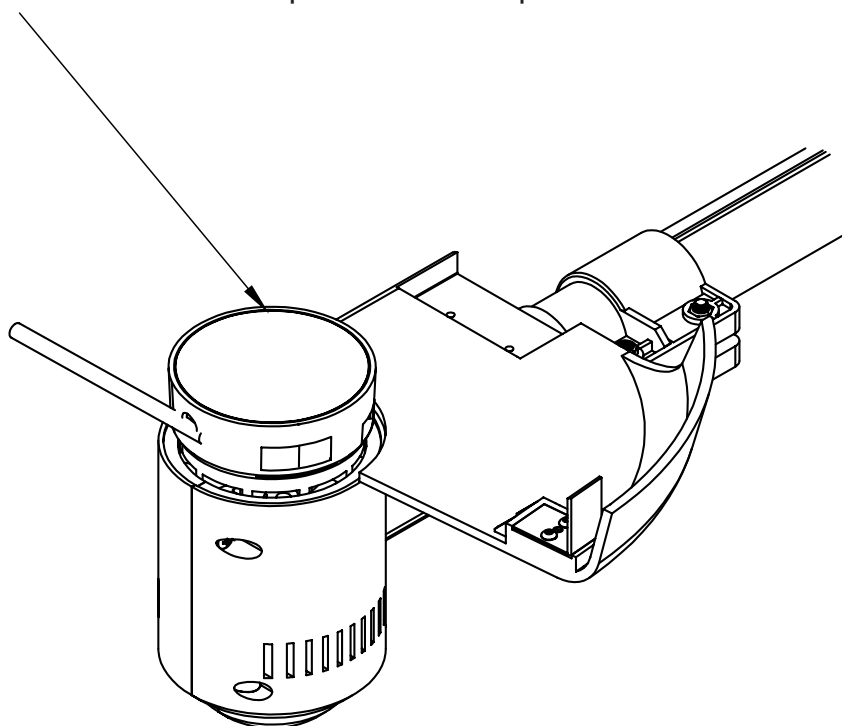
## Step 2

Install trim line by threading line through hole in housing.



## Step 3

Snap cover back in place.



# TRIMYXS®