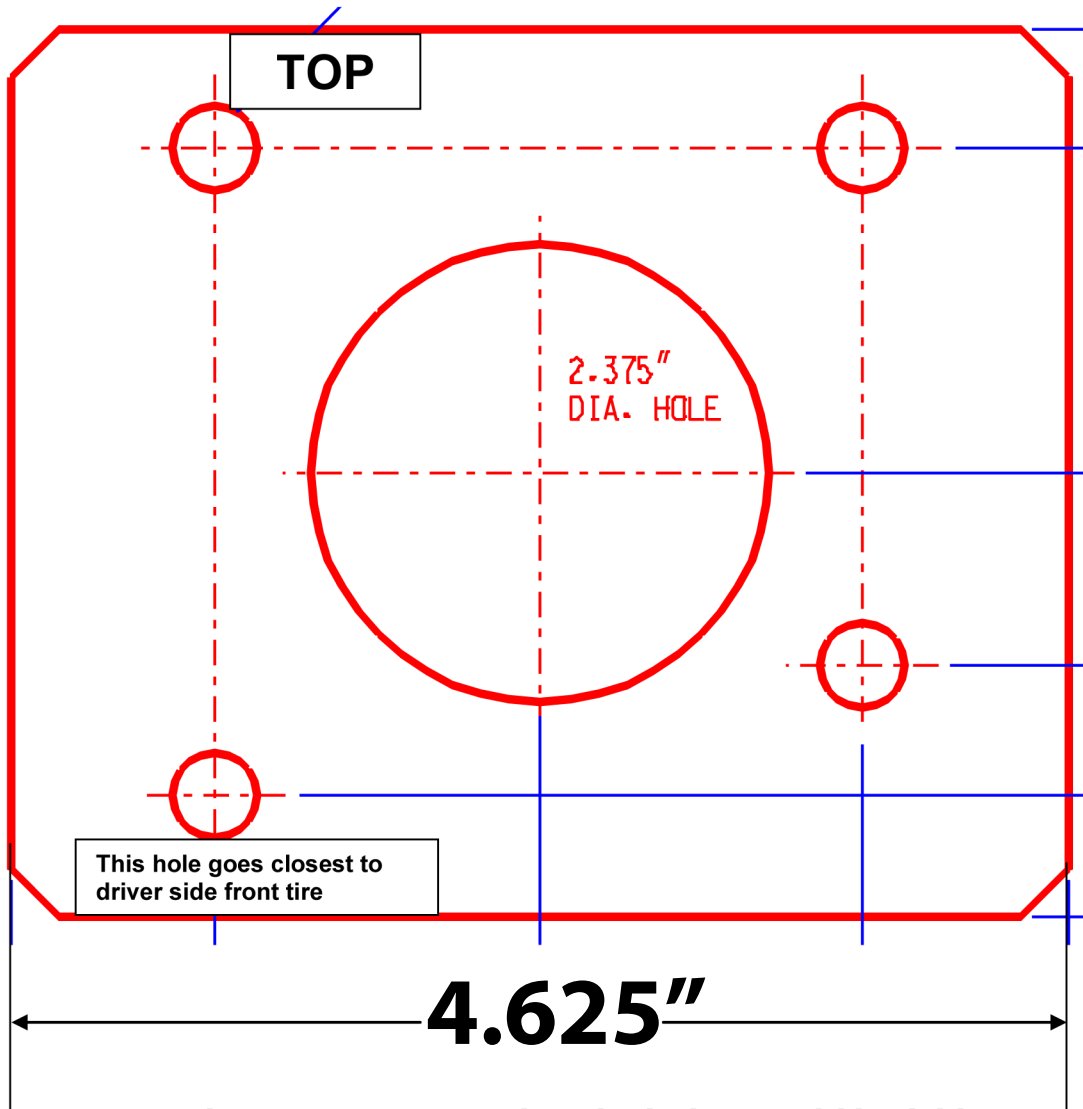




MUSTANGSTEVE

MUSTANGSTEVE.COM

If printing on your printer, make sure you verify the 4.625" width of the bracket with a ruler to be sure your printer is printing exact to scale.



Note: This orientation is what the holes would look like if you were sitting in the driver's seat.

Copyright MustangSteve - Instructions and drawings may not be copied without written consent from MustangSteve
ALL BRAKE WORK SHOULD BE DONE BY A MECHANIC WHO IS COMPETENT WITH THE MODIFICATION OF YOUR CAR'S
BRAKE SYSTEM. MustangSteve IS NOT RESPONSIBLE FOR ANY DAMAGE OR INJURY THAT MIGHT OCCUR IN THE EVENT
OF A BRAKE FAILURE.