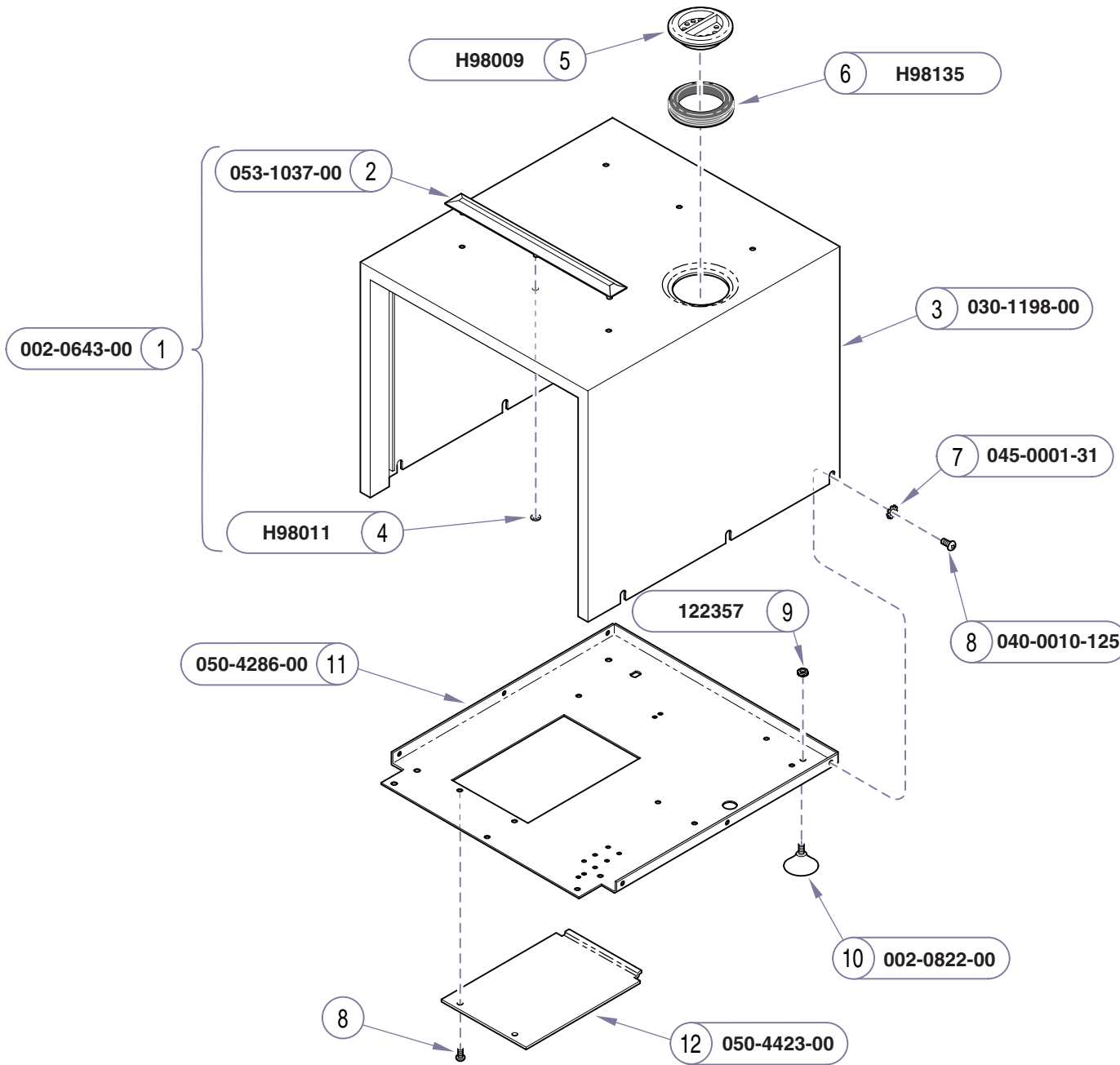




Up/Down Toggle Used on L Series





Refer To:	Page
Operation & Troubleshooting	A-1
Component Testing / Repair	B-1
Access Procedures	C-1
Wiring Diagrams	D-1
Exploded Views / Part Numbers ..	E-1

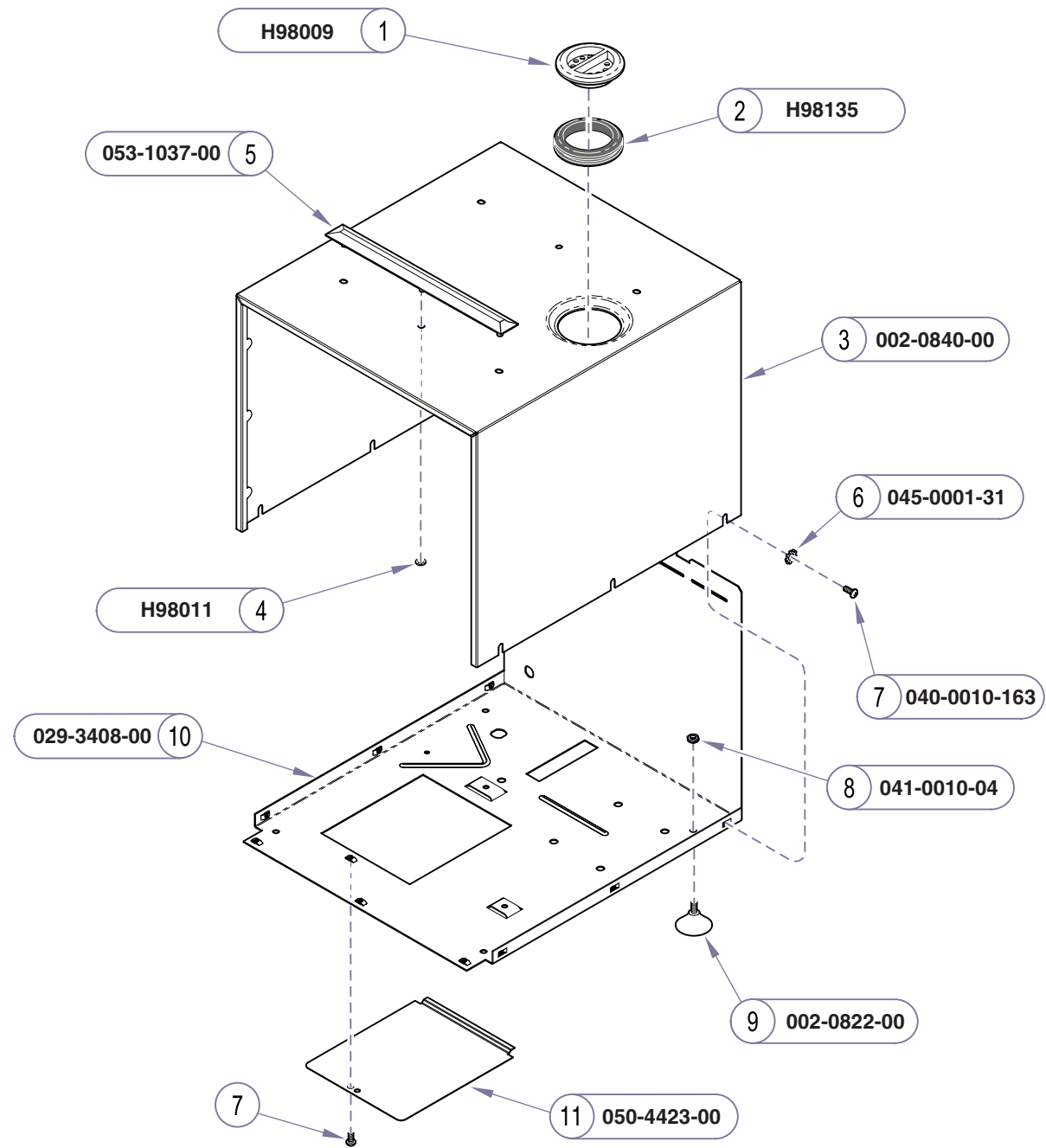
Item	Description	Qty.
1	Cover Kit (Includes items 2 thru 4)	1
2	• Cooling Rail	2
3	• Main Cover	1
4	• Push Nut	6
5	Fill Cap	1
6	Rubber Seal	1
7	Lockwasher	6
8	Screw (#10 x 1/2", self-tapping)	6
9	Keps Nut	4
10	Rubber Foot Kit (includes nut)	4
11	Base Plate	1
12	Inspection Cover	1

Always Specify Model & Serial Number

MA674101i

Covers

Models: M7 (-011 thru -016)
Serial Numbers: all



Refer To:	Page
Operation & Troubleshooting	A-1
Component Testing / Repair	B-1
Access Procedures	C-1
Wiring Diagrams	D-1
Exploded Views / Part Numbers ..	E-1

Item	Description	Qty.
1	Fill Cap	1
2	Rubber Seal	1
3	Main Cover w/ labels (includes items 4 & 5)	1
4	Push Nut	6
5	Cooling Rail	2
6	Lockwasher	1
7	Screw (#10 x 5/8", self-drilling/tapping)	7
8	Nut (used only on units built prior to serial number V411489)	4
9	Rubber Foot Kit (includes nut)	4
10	Base Assembly	1
11	Inspection Cover	1

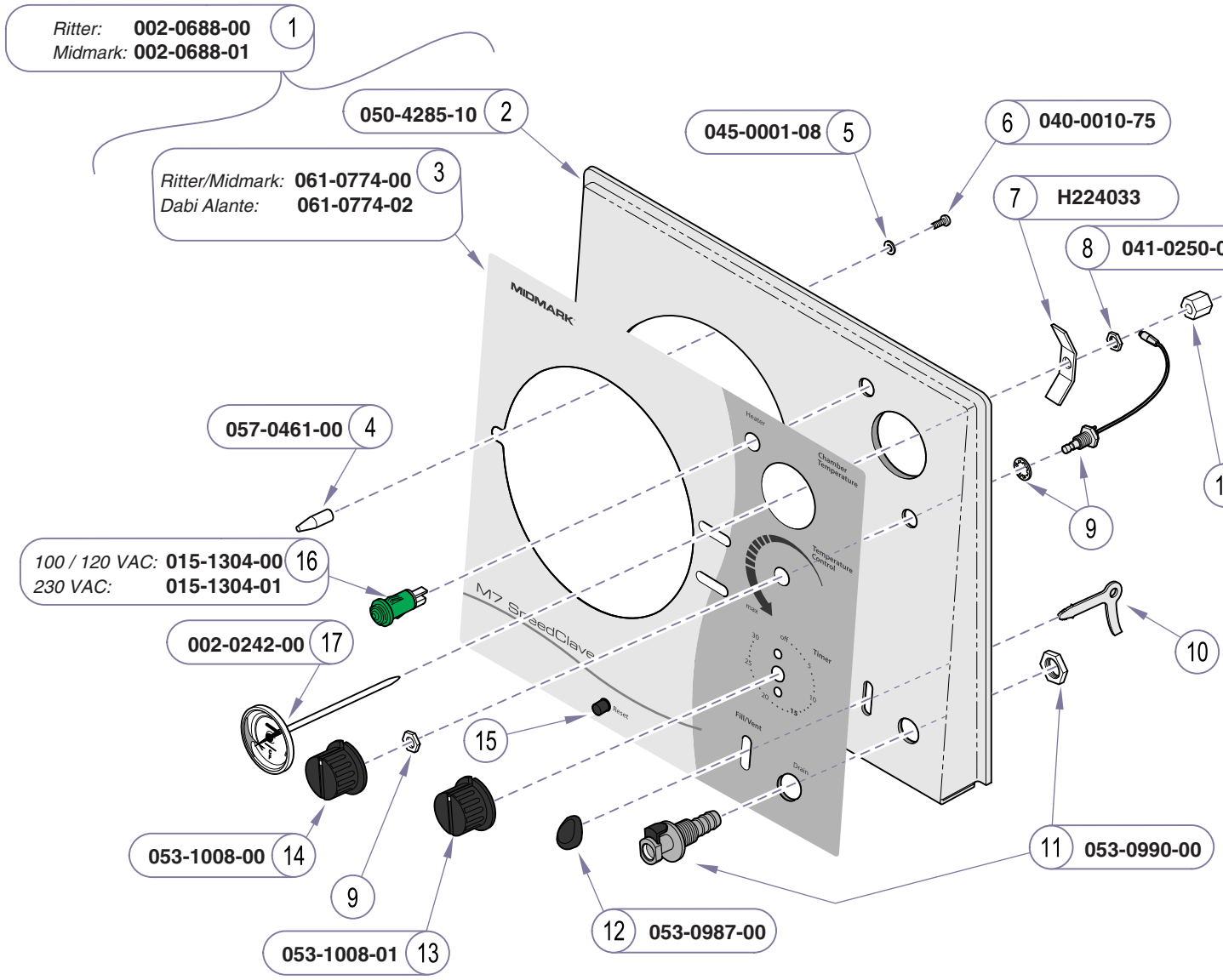
Always Specify Model & Serial Number

MA674101i

Models: | M7 (-020 thru -022) |
Serial Numbers: | all |

Covers

Refer To:	Page
Operation & Troubleshooting	A-1
Component Testing / Repair	B-1
Access Procedures	C-1
Wiring Diagrams	D-1
Exploded Views / Part Numbers ..	E-1



Item	Description	Qty.
1	Front Panel Assy. (includes items 2 & 3)	1
2	• Front Panel (w/o label)	1
3	• Label	1
4	Alignment Pin	1
5	Lockwasher	1
6	Screw	1
7	Thermometer Bracket	1
8	Jam Nut	1
9	Refer to: Temp. Regulator Components E-7	
10	Refer to: Fill / Vent Valve	E-9
11	Shut-Off Coupling	1
12	Lever Knob	1
13	Timer Knob (includes set screw)	1
14	Temperature Knob (includes set screw)	1
15	Refer to: Heating Element / Overheat Thermostats	E-13
16	Heater Light	1
17	Thermometer Kit (incl. items 18 thru 21)	1
18	• Compression Nut	1
19	• Washer (#6 - 5/16" O.D.)	1
20	• Rubber Sleeve	1
21	• Male Connector	1

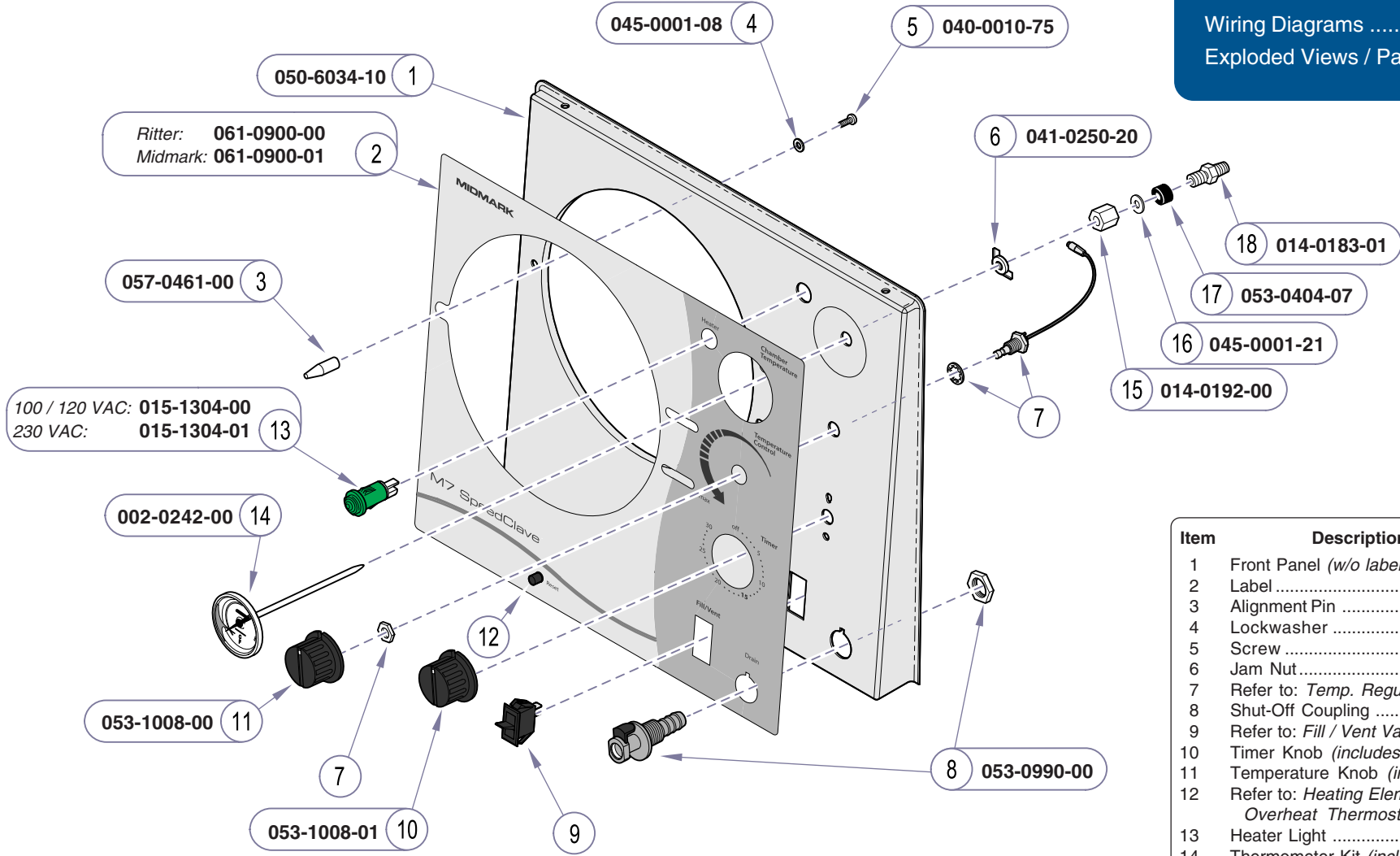
Always Specify Model & Serial Number

MA671907i

Front Panel Components

Models: | M7 (-011 thru -016)
Serial Numbers: | all

Refer To:	Page
Operation & Troubleshooting	A-1
Component Testing / Repair	B-1
Access Procedures	C-1
Wiring Diagrams	D-1
Exploded Views / Part Numbers ..	E-1



Item	Description	Qty.
1	Front Panel (w/o label)	1
2	Label	1
3	Alignment Pin	1
4	Lockwasher	1
5	Screw	1
6	Jam Nut	1
7	Refer to: <i>Temp. Regulator Components</i>	E-7
8	Shut-Off Coupling	1
9	Refer to: <i>Fill / Vent Valve</i>	E-9
10	Timer Knob (includes setscrew)	1
11	Temperature Knob (includes setscrew)	1
12	Refer to: <i>Heating Element / Overheat Thermostats</i>	E-13
13	Heater Light	1
14	Thermometer Kit (incl. items 15 thru 18)	1
15	• Compression Nut	1
16	• Washer	1
17	• Rubber Sleeve	1
18	• Male Connector	1

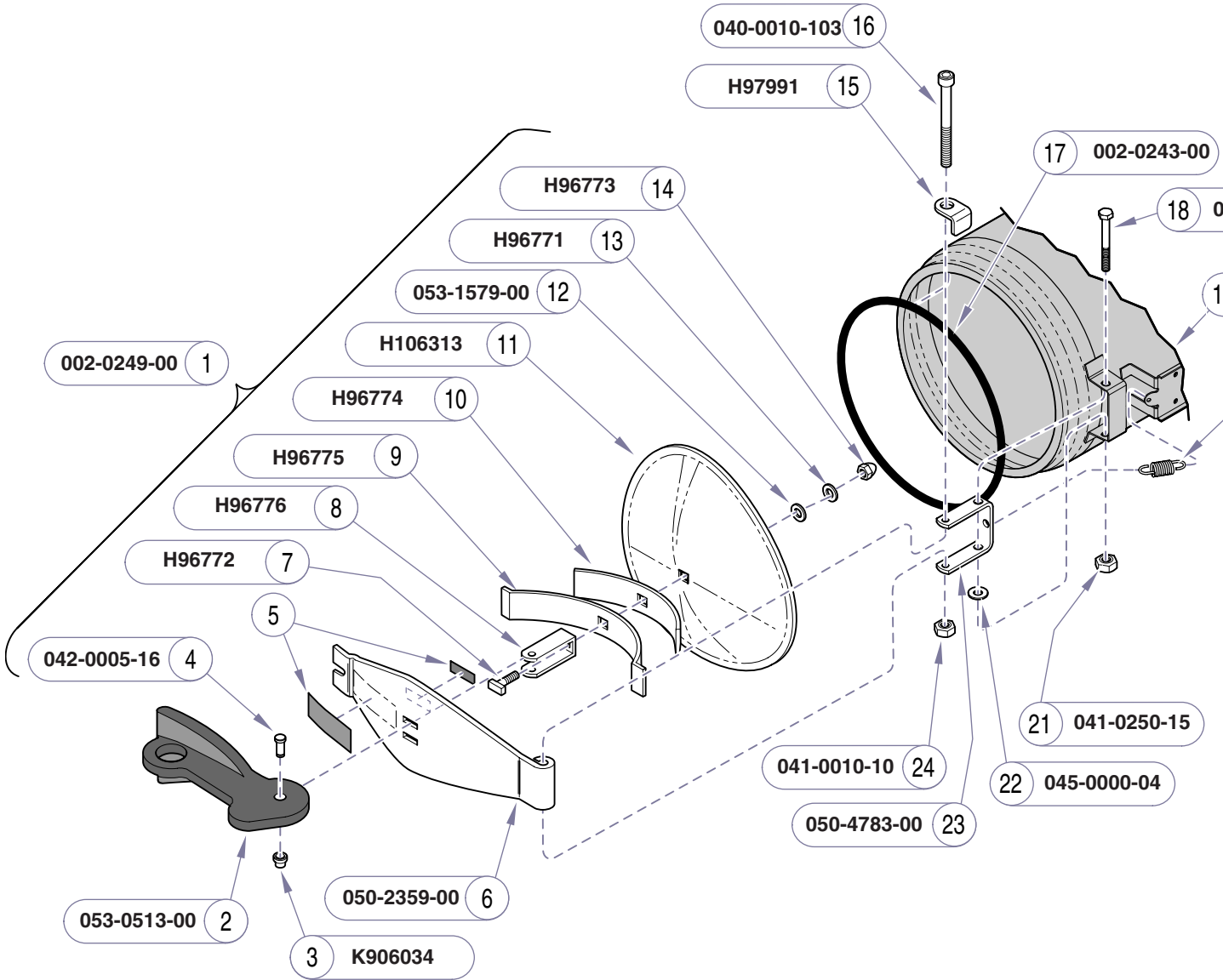
Always Specify Model & Serial Number

MA671908i

Models: | M7 (-020 thru -022) |
Serial Numbers: | all |

Front Panel Components

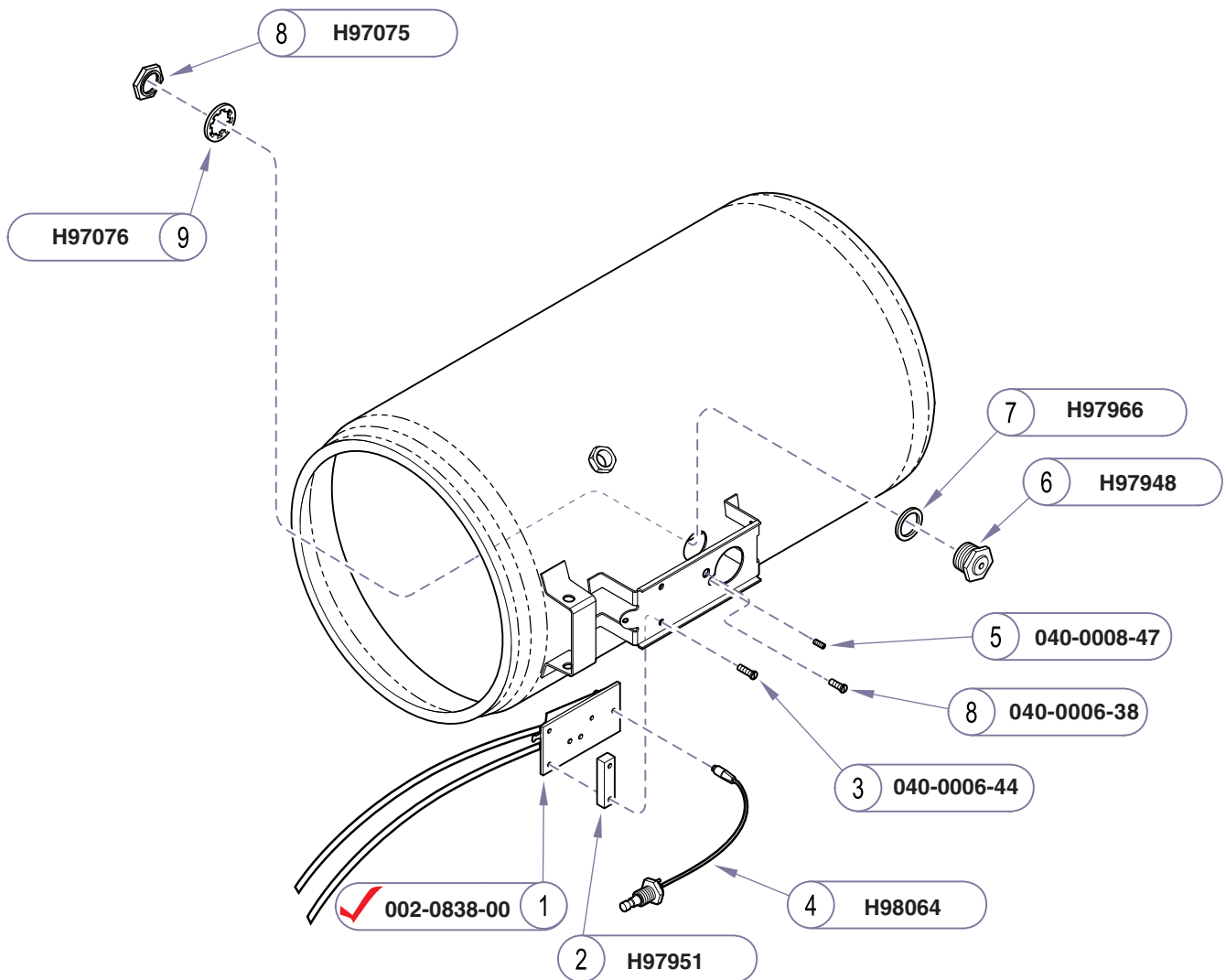
Refer To:	Page
Operation & Troubleshooting	A-1
Component Testing / Repair	B-1
Access Procedures	C-1
Wiring Diagrams	D-1
Exploded Views / Part Numbers ..	E-1



Item	Description	Qty.
1	Door Assembly (incl. items 2 thru 13)	1
2	• Handle	1
3	• Push Nut	1
4	• Pin	1
5	• Refer to Label Location	Ref
6	• Cross Arm	1
7	• T-bolt	1
8	• U-bracket	1
9	• Long Spring	1
10	• Short Spring	1
11	• Door	1
12	• Gasket	1
13	• Washer	1
14	• Cap Nut (apply adhesive #042-0024-02) ..	1
15	Door Stop	1
16	Bolt	1
17	Door Gasket	1
18	Bolt	1
19	Refer to Chamber Components	Ref
20	Spring	1
21	Torque Nut	1
22	Washer	1
23	Hinge	1
24	Torque Nut	1

Always Specify Model & Serial Number

MA511703i



Refer To:	Page
Operation & Troubleshooting	A-1
Component Testing / Repair	B-1
Access Procedures	C-1
Wiring Diagrams	D-1
Exploded Views / Part Numbers ..	E-1

Item	Description	Qty.
1	Temperature Relay Kit (incl. items 2 & 3)	1
2	• Spacer	1
3	• Screw (#6-32 x 7/16")	3
4	Flexible Shaft Assembly	1
5	Set Screw	1
6	Diaphragm Cup	1
7	Gasket	1
8	Nut	1
9	Lockwasher	1

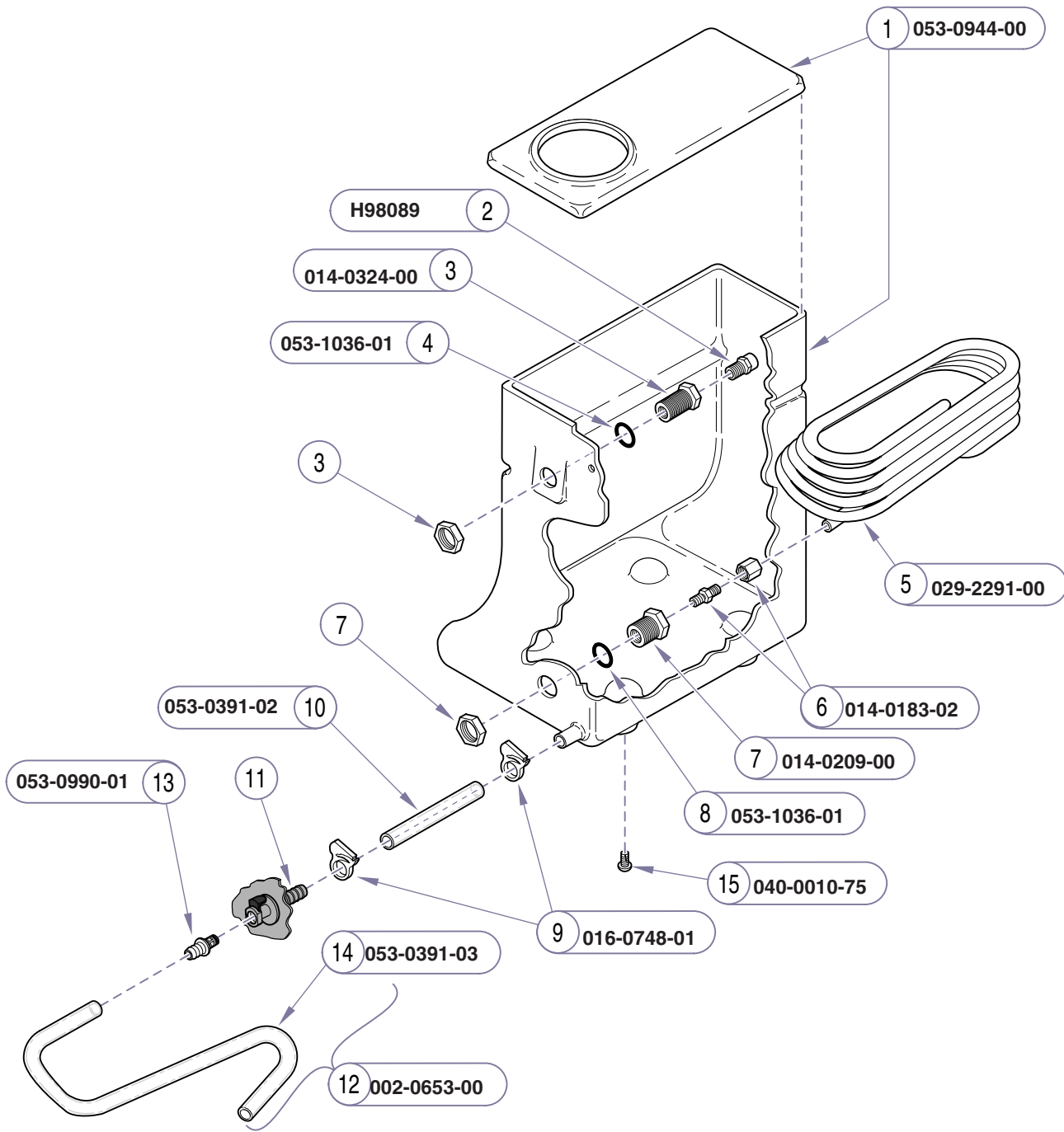
Always Specify Model & Serial Number

MA511902i

Models:	ALL			
Serial Numbers:				

**Temperature Regulator
Components**

Refer To:	Page
Operation & Troubleshooting	A-1
Component Testing / Repair	B-1
Access Procedures	C-1
Wiring Diagrams	D-1
Exploded Views / Part Numbers ..	E-1



Item	Description	Qty.
1	Tank with Lid (not available separately)	1
2	Pressure Relief Valve	1
3	Bulkhead Fitting (includes nut)	1
4	Neoprene Washer	1
5	Condensing Coil Assy. (incl. items 6 & 7) ...	1
6	• Compression Fitting	1
7	• Bulkhead Fitting (includes nut)	1
8	Neoprene Washer	1
9	Hose Clamp	2
10	Tank Drain Tube	1
11	Refer to: <i>Front Panel Components</i>	Ref
12	Drain Hose Kit (incl. items 13 thru 15)	1
13	• Barbed Fitting	1
14	• Removeable Drain Tube	1
15	Screw	2

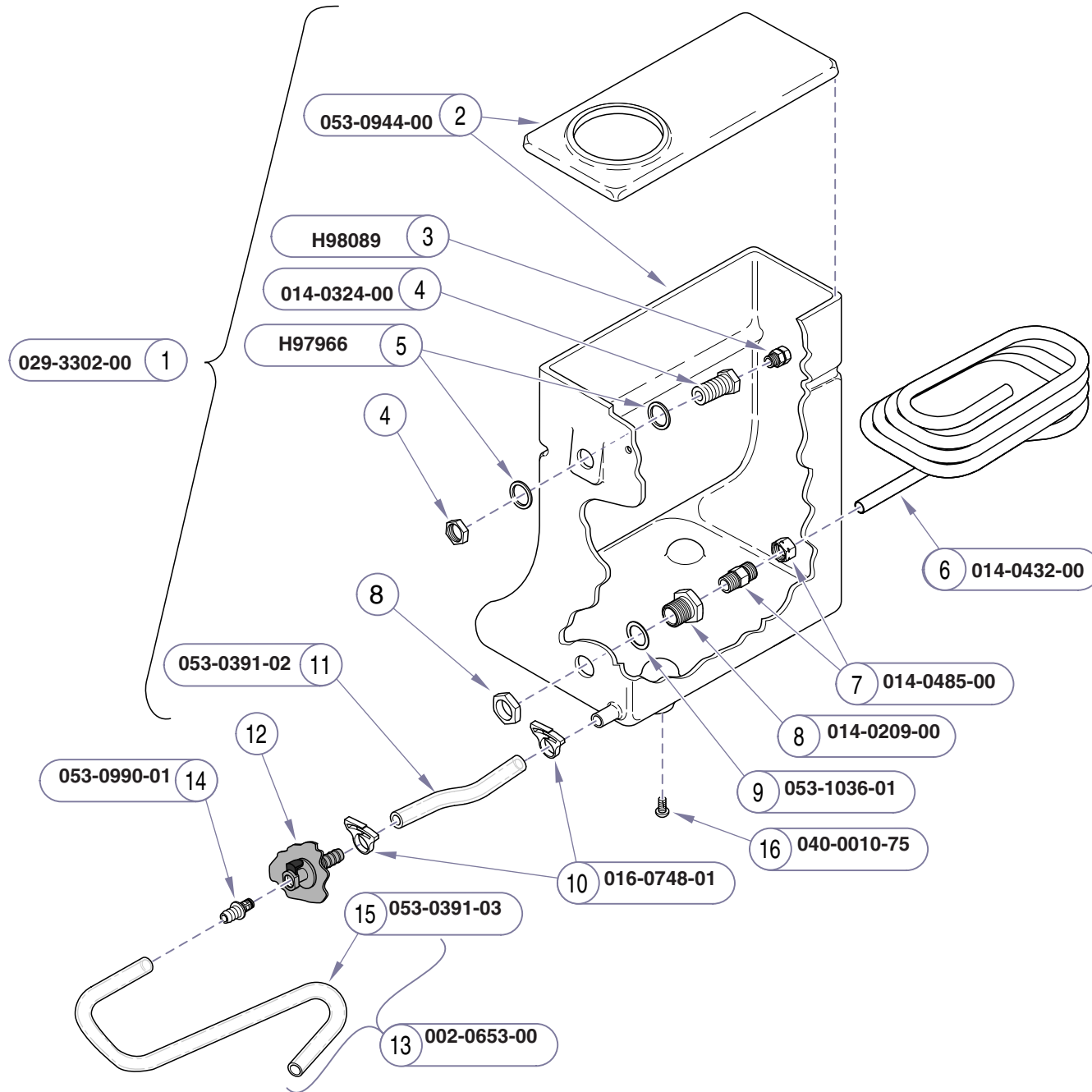
Always Specify Model & Serial Number

MA675105i

Reservoir

Models: M7 (-011 thru -016) Serial Numbers: all			
--	--	--	--

Refer To:	Page
Operation & Troubleshooting	A-1
Component Testing / Repair	B-1
Access Procedures	C-1
Wiring Diagrams	D-1
Exploded Views / Part Numbers ..	E-1



Item	Description	Qty.
1	Reservoir Assembly (incl. items 2 thru 11)	1
2	• Tank with Lid (not available separately) ..	1
3	• Pressure Relief Valve	1
4	• Bulkhead Fitting (includes nut)	1
5	• Washer	2
6	• Condensing Coil	1
7	• Compression Fitting	1
8	• Bulkhead Fitting (includes nut)	1
9	• Neoprene Washer	1
10	• Hose Clamp	2
11	• Tank Drain Tube	1
12	Refer to: <i>Front Panel Components</i>	Ref
13	Drain Hose Kit (incl. items 13 thru 15)	1
14	• Barbed Fitting	1
15	• Removeable Drain Tube	1
16	Screw	2

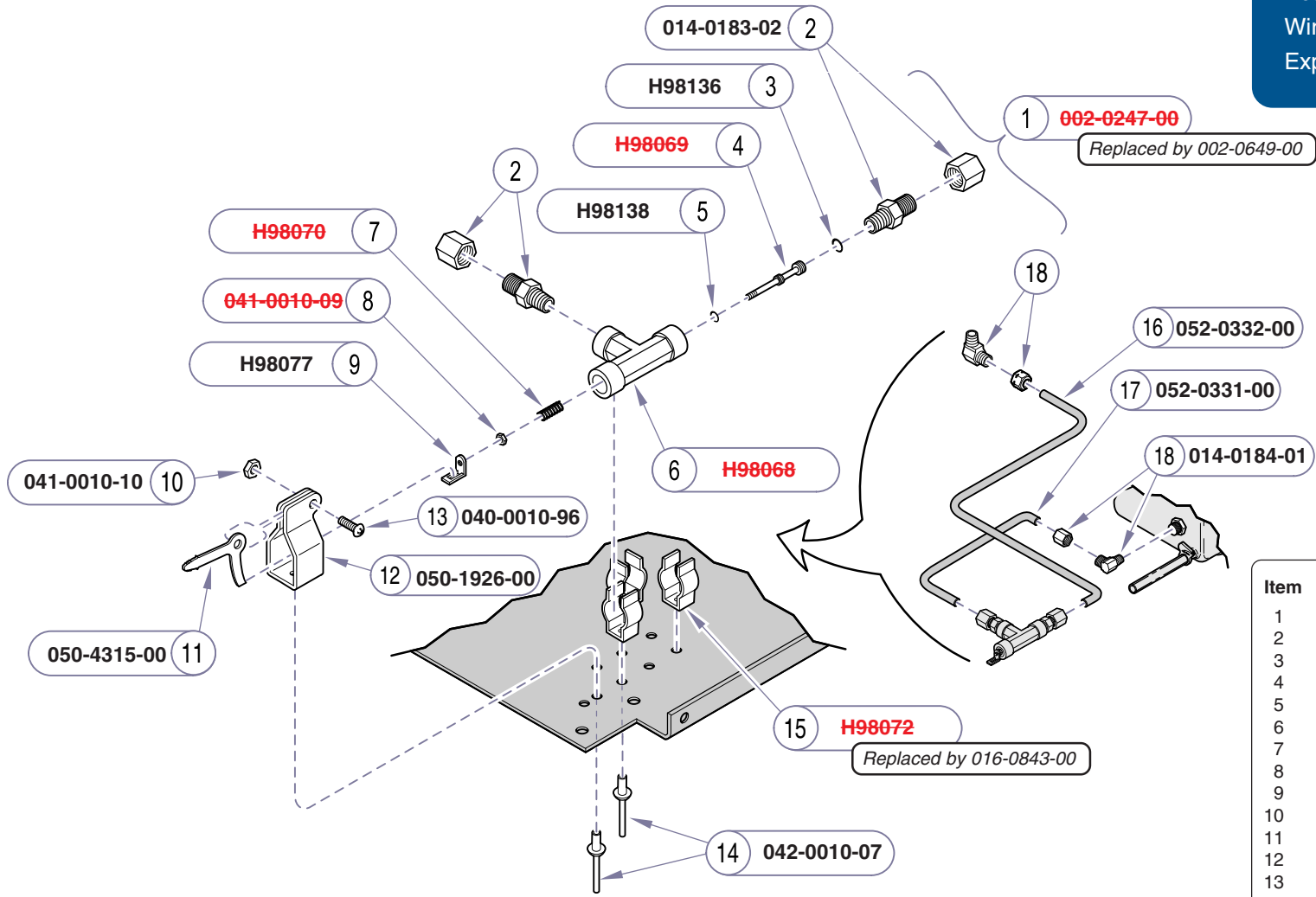
Always Specify Model & Serial Number

MA675106i

Models: | M7 (-020 thru -022) |
Serial Numbers: | all |

Reservoir

Refer To:	Page
Operation & Troubleshooting	A-1
Component Testing / Repair	B-1
Access Procedures	C-1
Wiring Diagrams	D-1
Exploded Views / Part Numbers ..	E-1



Item	Description	Qty.
1	Fill/Vent Valve Kit (incl. items 2 thru 9)	1
2	• Compression Fitting	2
3	• O-ring (apply hi-temp lube)	1
4	• No Longer Available	1
5	• O-ring (apply hi-temp lube)	1
6	• No Longer Available	1
7	• No Longer Available	1
8	• No Longer Available	1
9	• Bracket	1
10	Torque Nut	1
11	Lever	1
12	Lever Bracket	1
13	Screw (#10-32 x 3/4")	1
14	Pop Rivet	3
15	Clip	3
16	Tubing (Fill)	1
17	Tubing (Vent)	1
18	Elbow Fitting	2

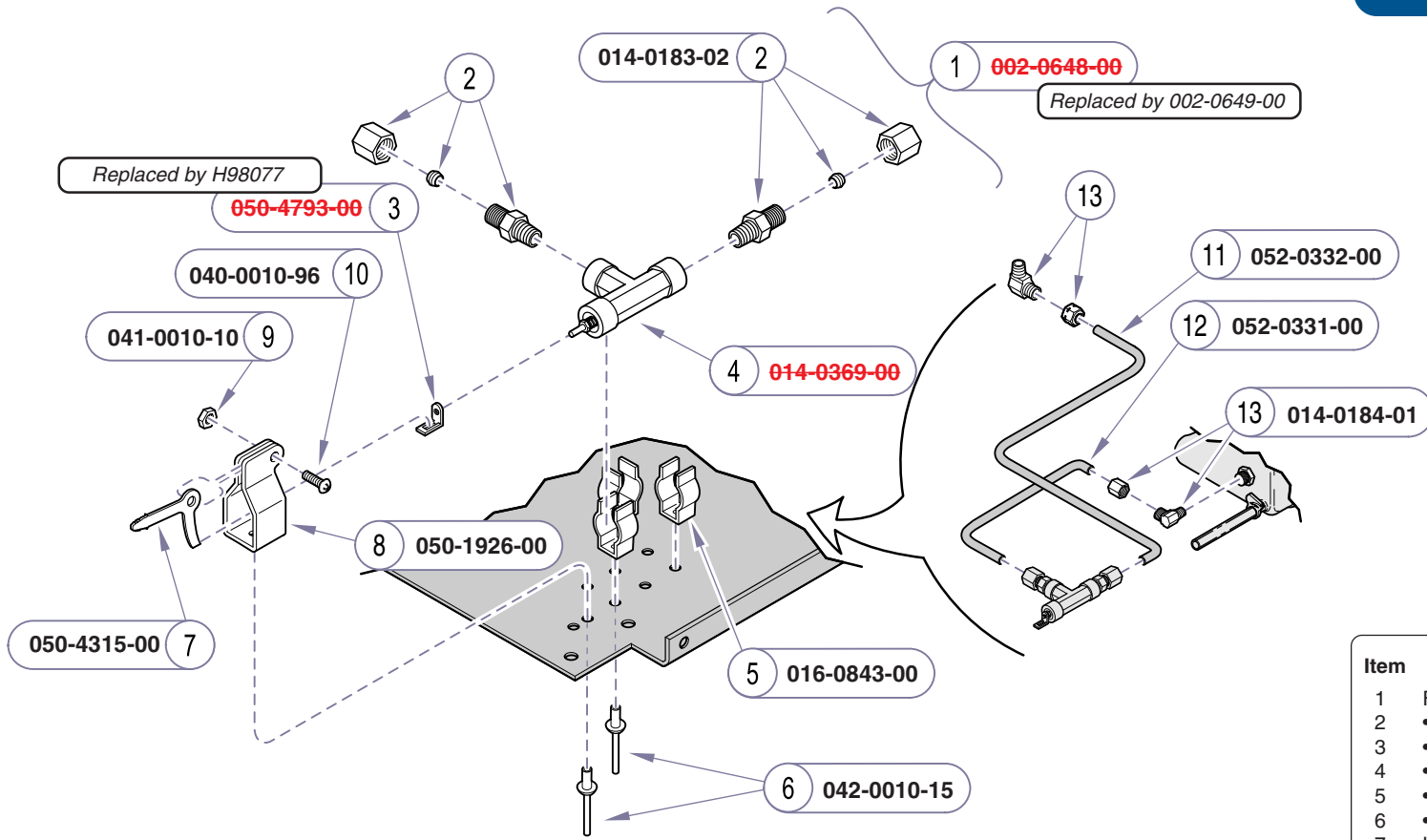
Always Specify Model & Serial Number

MA674600i

Fill / Vent Valve & Plumbing

Models:	M7 (-011)	M7 (-012)	M7 (-014)
Serial Numbers:	MH1000 thru MH1802	MJ1000 thru MJ1091	ML1000 thru ML2133

Refer To:	Page
Operation & Troubleshooting	A-1
Component Testing / Repair	B-1
Access Procedures	C-1
Wiring Diagrams	D-1
Exploded Views / Part Numbers ..	E-1



Item	Description	Qty.
1	Fill/Vent Valve Kit (incl. items 2 thru 6)	1
2	• Compression Fitting	2
3	• Bracket	1
4	• No Longer Available	1
5	• Clip	3
6	• Pop Rivet	3
7	Lever	1
8	Lever Bracket	1
9	Torque Nut	1
10	Screw (#10-32 x 3/4")	1
11	Tubing (Fill)	1
12	Tubing (Vent)	1
13	Elbow Fitting	2

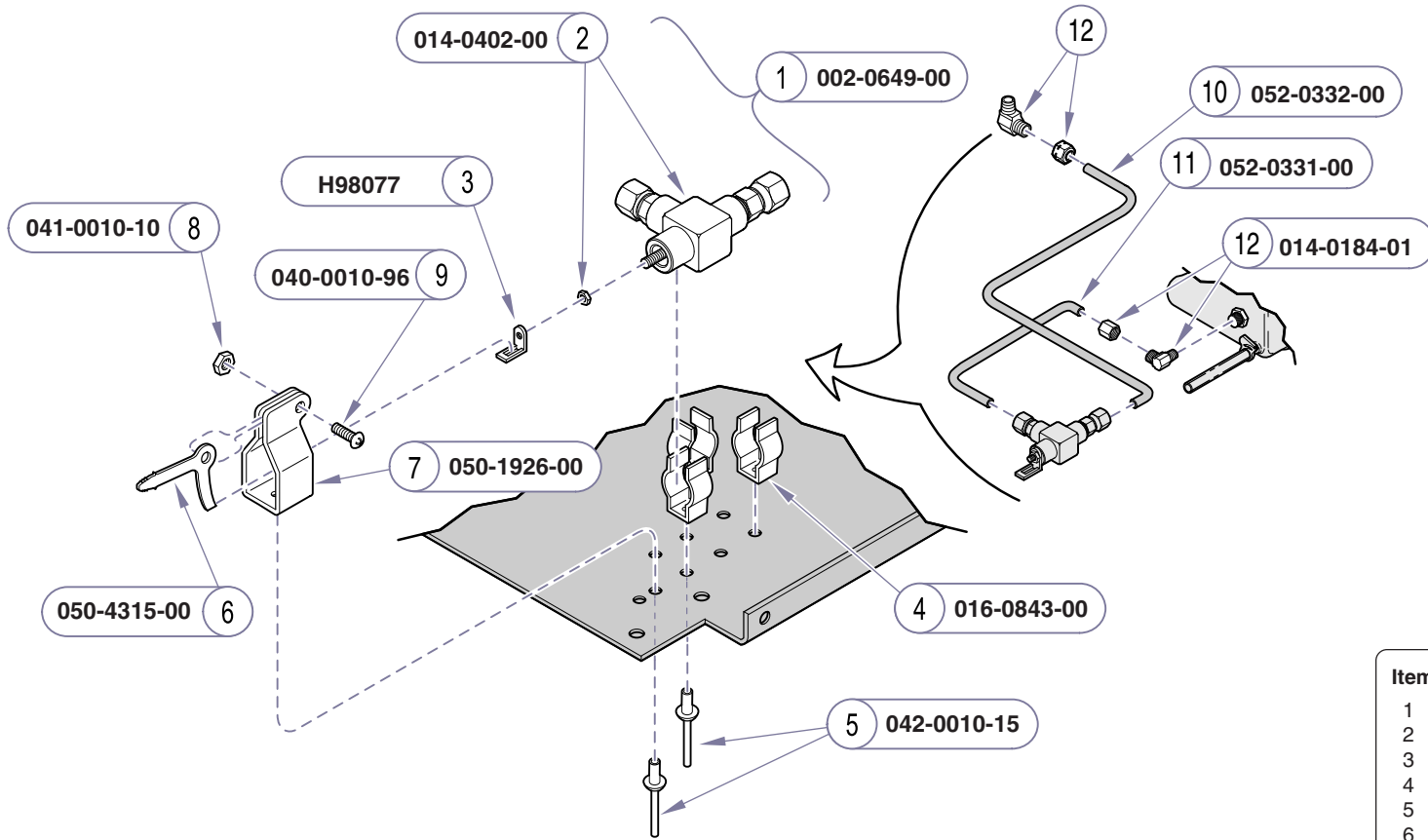
Always Specify Model & Serial Number

MA674601i

Models:	M7 (-011)	M7 (-012)	M7 (-014)
Serial Numbers:	MH1803 thru MH3104	MJ1092 thru MJ1241	ML2132 thru ML4209

Fill / Vent Valve & Plumbing

Refer To:	Page
Operation & Troubleshooting	A-1
Component Testing / Repair	B-1
Access Procedures	C-1
Wiring Diagrams	D-1
Exploded Views / Part Numbers ..	E-1



Item	Description	Qty.
1	Fill/Vent Valve Kit (incl. items 2 thru 5)	1
2	• Valve Body (includes nut)	1
3	• Bracket	1
4	• Clip	3
5	• Pop Rivet	3
6	Lever	1
7	Lever Bracket	1
8	Torque Nut	1
9	Screw (#10-32 x 3/4")	1
10	Tubing (Fill)	1
11	Tubing (Vent)	1
12	Elbow Fitting	2

Always Specify Model & Serial Number

MA674602i

Fill / Vent Valve & Plumbing

Models:
Serial Numbers:

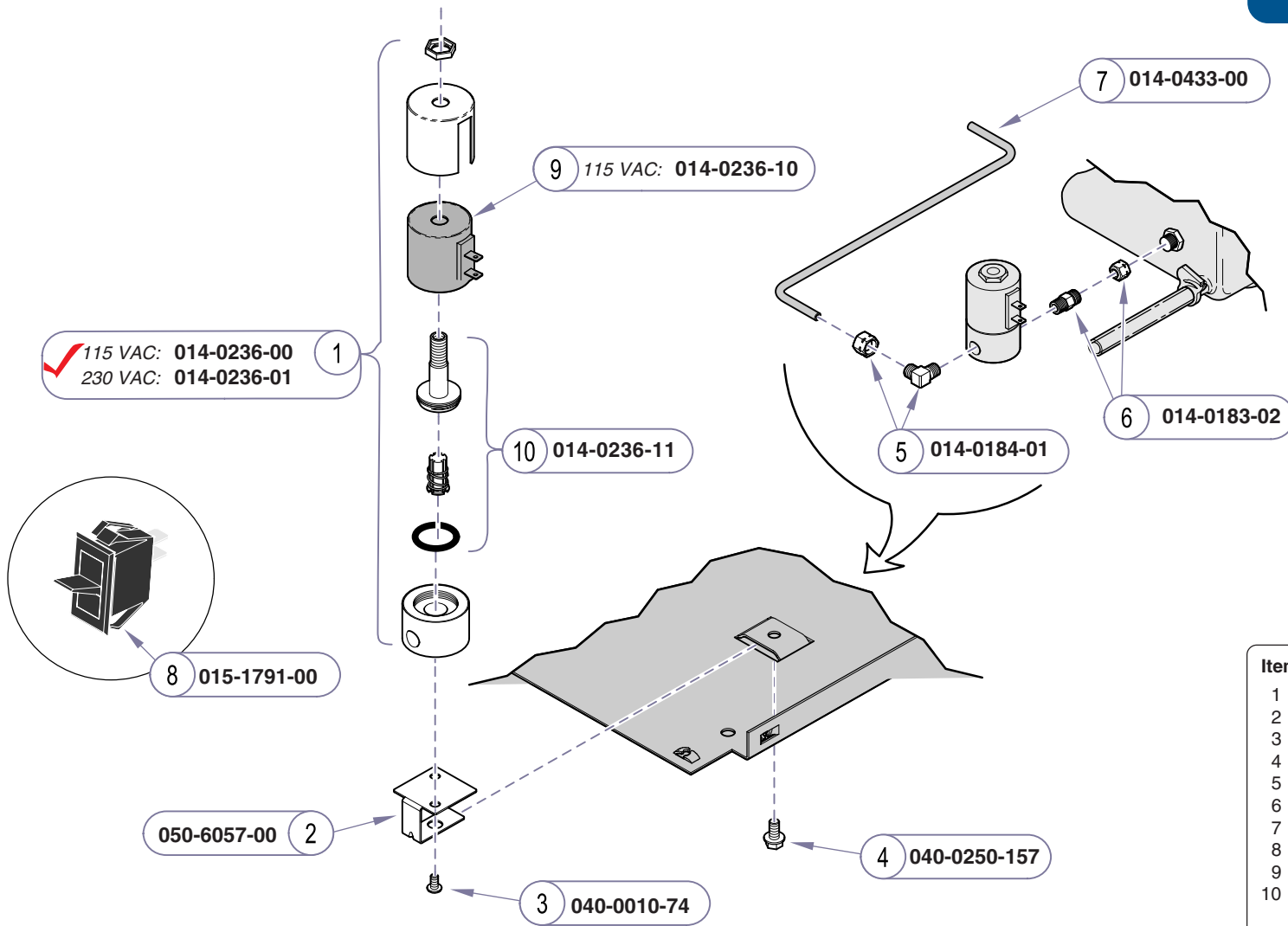
M7 (-011)
MH3105 thru present
V2200 thru present

M7 (-012)
MJ1242 thru present
V2200 thru present

M7 (-014)
ML4210 thru present
V2200 thru present

M7 (-013/-015 /-016)
all

Refer To:	Page
Operation & Troubleshooting	A-1
Component Testing / Repair	B-1
Access Procedures	C-1
Wiring Diagrams	D-1
Exploded Views / Part Numbers ..	E-1



Item	Description	Qty.
1	Fill/Vent Valve	1
2	Mounting Bracket	1
3	Screw (#10-32 x 3/8")	2
4	Bolt (1/4-20 x 1/2")	2
5	Elbow Fitting	1
6	Male Fitting (3/8")	1
7	Tubing	1
8	Fill / Vent Switch	1
9	Replacement Coil	1
10	Replacement Kit (Includes plunger, guide, and seals)	1

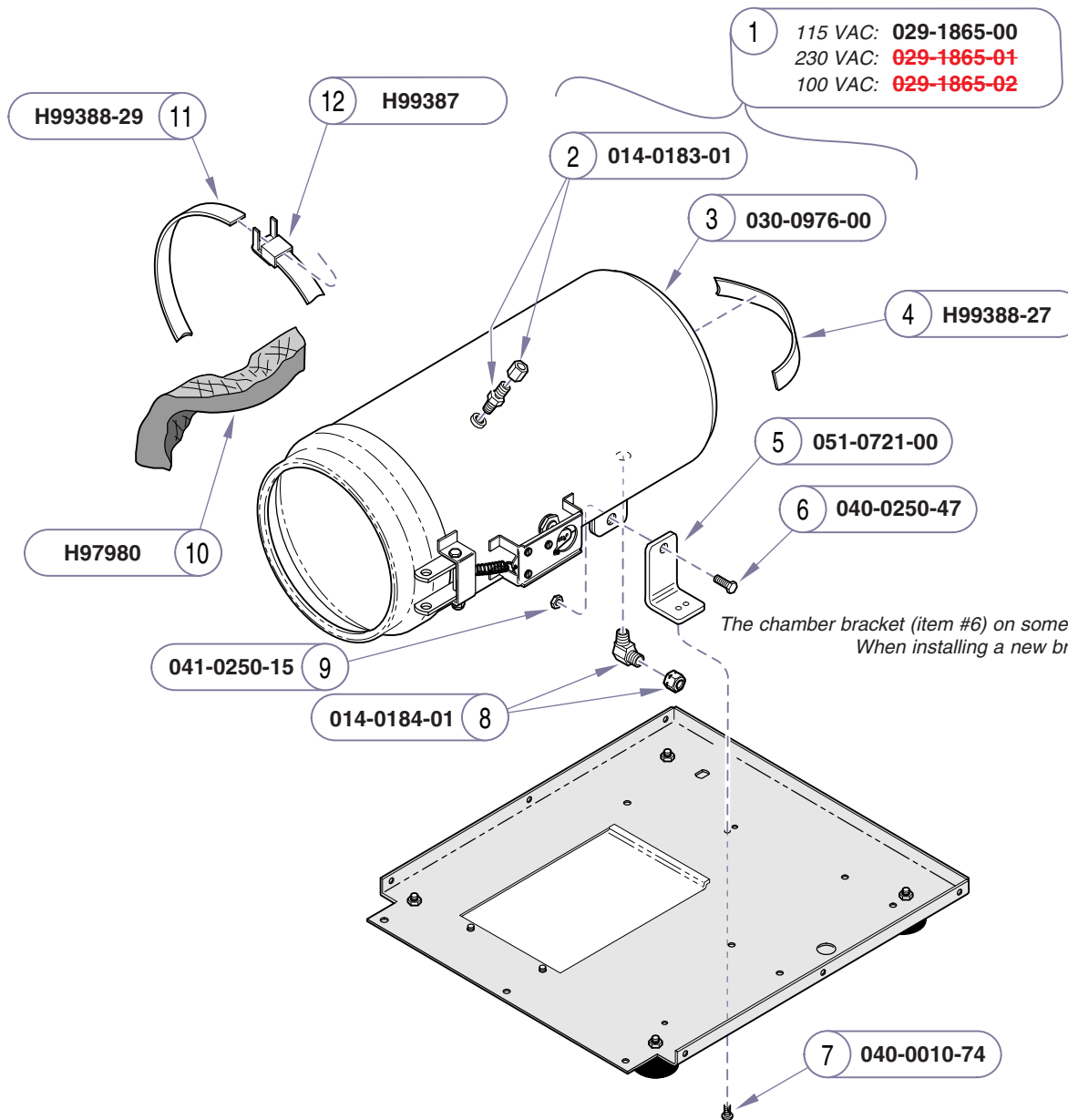
Always Specify Model & Serial Number

MA674605i

Models: | M7 (-020 thru -022) | | | |
Serial Numbers: | all | | | |

**Fill / Vent Valve
& Plumbing**

Refer To:	Page
Operation & Troubleshooting	A-1
Component Testing / Repair	B-1
Access Procedures	C-1
Wiring Diagrams	D-1
Exploded Views / Part Numbers ..	E-1



The chamber bracket (item #6) on some models may be attached to the base plate w/ pop rivets. When installing a new bracket, replace rivets w/ screws (item #7).

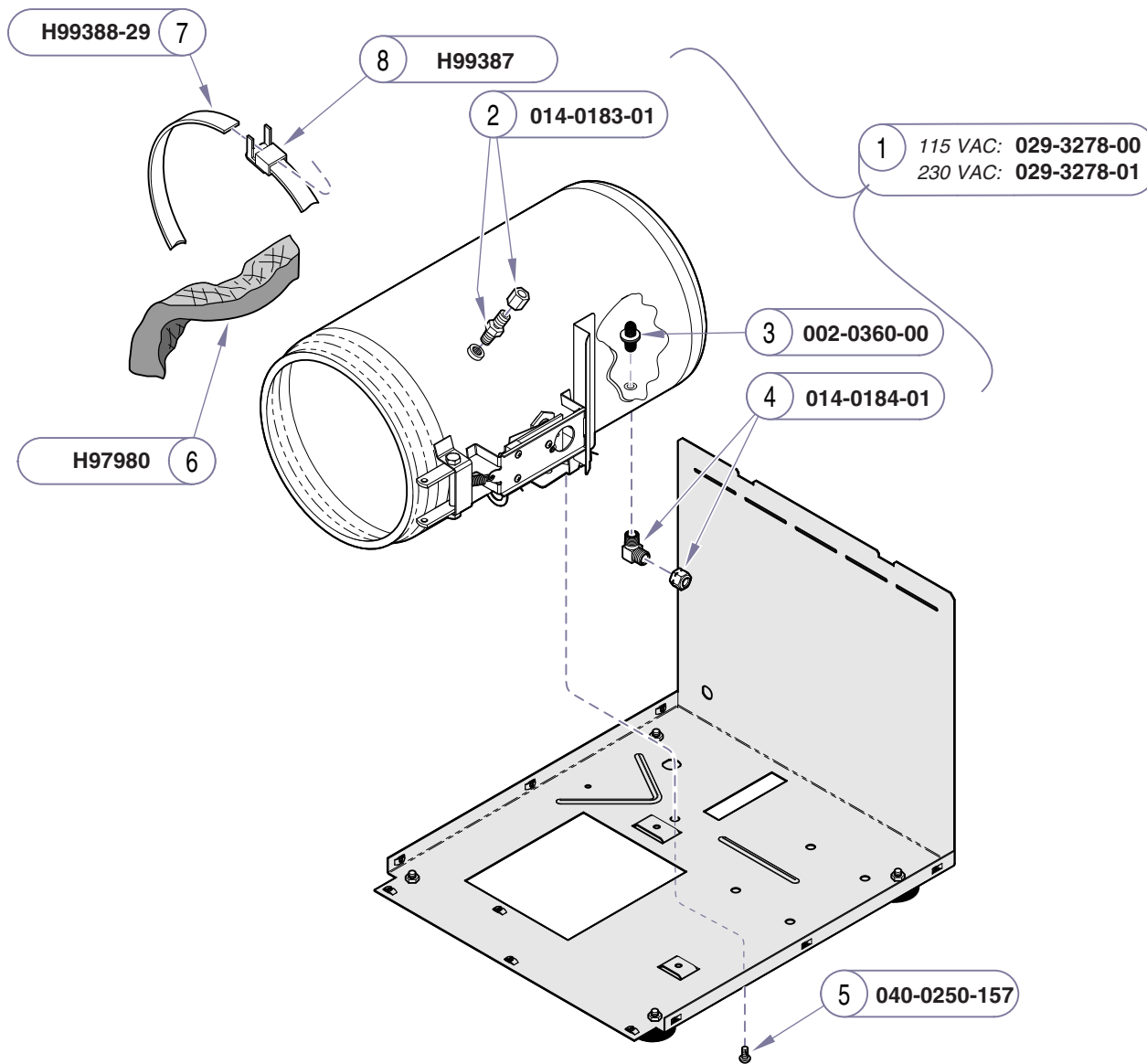
Item	Description	Qty.
1	Chamber Assembly - complete <i>includes items 2 & 3 and the following:</i>	1
	• Heating Element & Thermostats (2)	
	• Temperature Regulator Assembly	
	• Door Hinge & Door Gasket	
2	• Compression Fitting	1
3	• Chamber Shell only	2
4	Banding Strap (<i>end</i>)	1
5	Chamber Bracket	1
6	Screw	1
7	Screw	2
8	Elbow Fitting	1
9	Nut	1
10	Insulation	1
11	Banding Strap	2
12	Banding Clip	2

Always Specify Model & Serial Number

MA676600i

Chamber Components

Models: | M7 (-011 thru -016) |
Serial Numbers: | all |



Refer To:	Page
Operation & Troubleshooting	A-1
Component Testing / Repair	B-1
Access Procedures	C-1
Wiring Diagrams	D-1
Exploded Views / Part Numbers ..	E-1

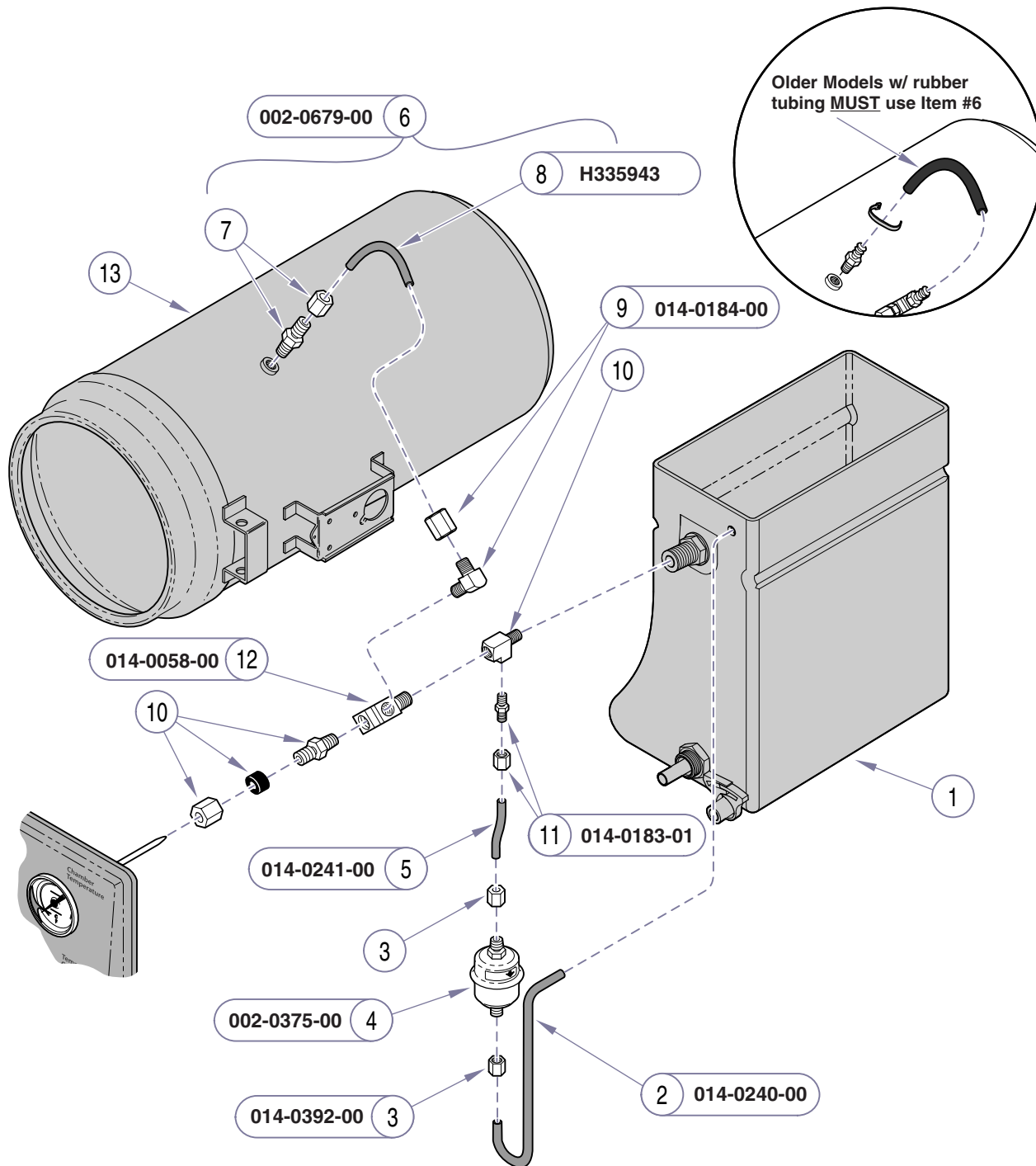
Item	Description	Qty.
1	Chamber Assembly - complete <i>includes items 2 thru 4 & the following:</i>	1
	• Heating Element & Thermostats (2)	
	• Temperature Regulator Assembly	
	• Door Hinge & Door Gasket	
	• Timer Buzzer	
2	• Compression Fitting	1
3	• Filter Screen	1
4	• Elbow Fitting	1
5	Screw	1
6	Insulation	1
7	Banding Strap	2
8	Banding Clip	2

Always Specify Model & Serial Number

MA676601i

Models: | M7 (-020 thru -022) |
 Serial Numbers: | all |

Chamber Components



Refer To:	Page
Operation & Troubleshooting	A-1
Component Testing / Repair	B-1
Access Procedures	C-1
Wiring Diagrams	D-1
Exploded Views / Part Numbers ..	E-1

Item	Description	Qty.
1	Refer to: <i>Reservoir</i>	Ref
2	Tube	1
3	Compression Nut	2
4	Bellows	1
5	Tube	1
6	Chamber Manifold Tube Kit (includes items 7 thru 9)	
7	• Refer to: <i>Chamber Assembly</i>	Ref
8	• Tube	1
9	• Elbow Fitting	1
10	Refer to: <i>Front Panel Components</i>	Ref
11	Compression Fitting	1
12	Street Tee Fitting	2
13	Refer to: <i>Chamber Assembly</i>	Ref

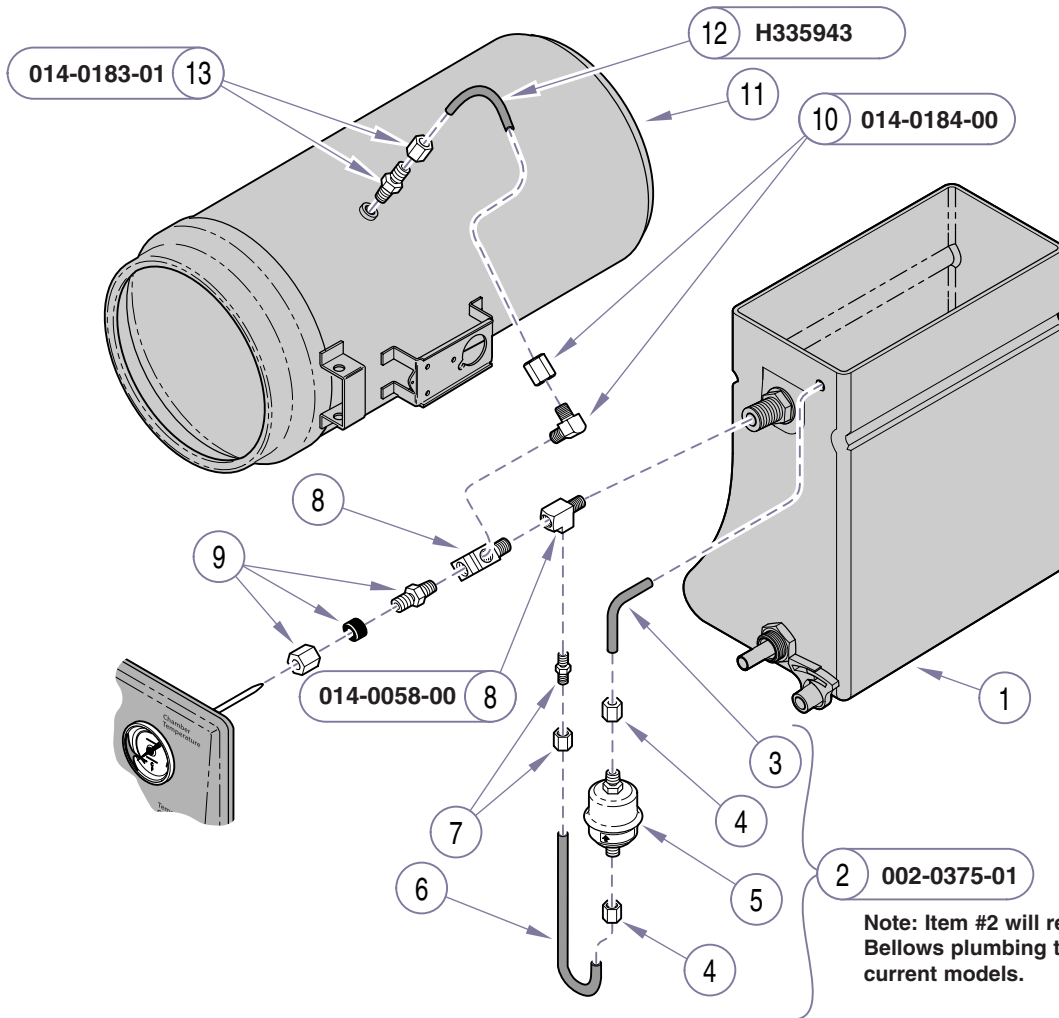
Always Specify Model & Serial Number

MA675600i

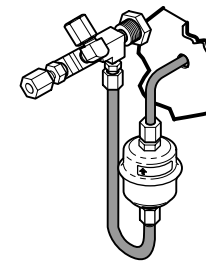
Bellows & Plumbing

Models:	M7 (-011)	M7 (-012)	M7 (-014)
Serial Numbers:	MH1000 thru MH6044	MJ1000 thru MJ1696	ML1000 thru ML7297

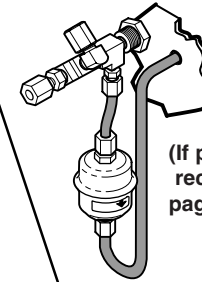
Refer To:	Page
Operation & Troubleshooting	A-1
Component Testing / Repair	B-1
Access Procedures	C-1
Wiring Diagrams	D-1
Exploded Views / Part Numbers ..	E-1



Original Plumbing Configuration



Reconfigured Plumbing Configuration



(If plumbing has been reconfigured, refer to next page for replacement parts)

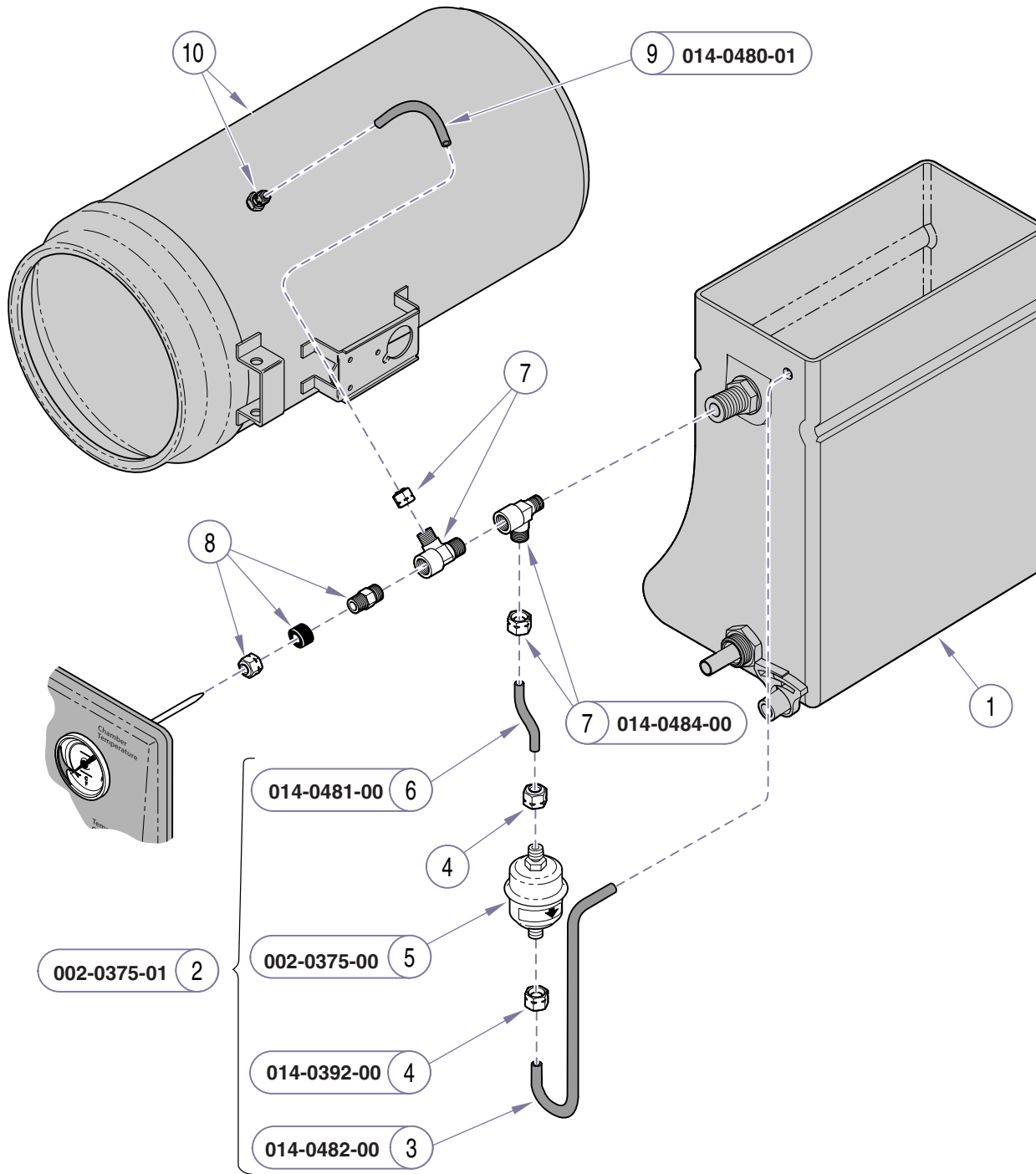
Item	Description	Qty.
1	Refer to: <i>Reservoir</i>	Ref
2	Bellows Kit (includes items 3 thru 7)	1
3	Tube	1
4	Compression Nut	3
5	Bellows	1
6	Tube	1
7	Compression Fitting	1
8	Street Tee Fitting	2
9	Refer to: <i>Front Panel Components</i>	Ref
10	Elbow Fitting	1
11	Refer to: <i>Chamber Assembly</i>	Ref
12	Tube	1
13	Compression Fitting	1

Always Specify Model & Serial Number

MA675601i

Models:	M7 (-011)	M7 (-012)	M7 (-014)	M7 (-013/-015 /-016)
Serial Numbers:	MH6045 thru present V2200 thru present	MJ1697 thru present V2200 thru present	ML7298 thru present V2200 thru present	all

Bellows & Plumbing



Refer To:	Page
Operation & Troubleshooting	A-1
Component Testing / Repair	B-1
Access Procedures	C-1
Wiring Diagrams	D-1
Exploded Views / Part Numbers ..	E-1

Item	Description	Qty.
1	Refer to: <i>Reservoir</i>	Ref
2	Bellows Kit	1
3	• Tube	1
4	• Compression Nut	2
5	• Bellows	1
6	• Tube	1
7	• Compression Fitting	2
8	Refer to: <i>Front Panel Components</i>	Ref
9	Tube	1
10	Refer to: <i>Chamber Components</i>	Ref

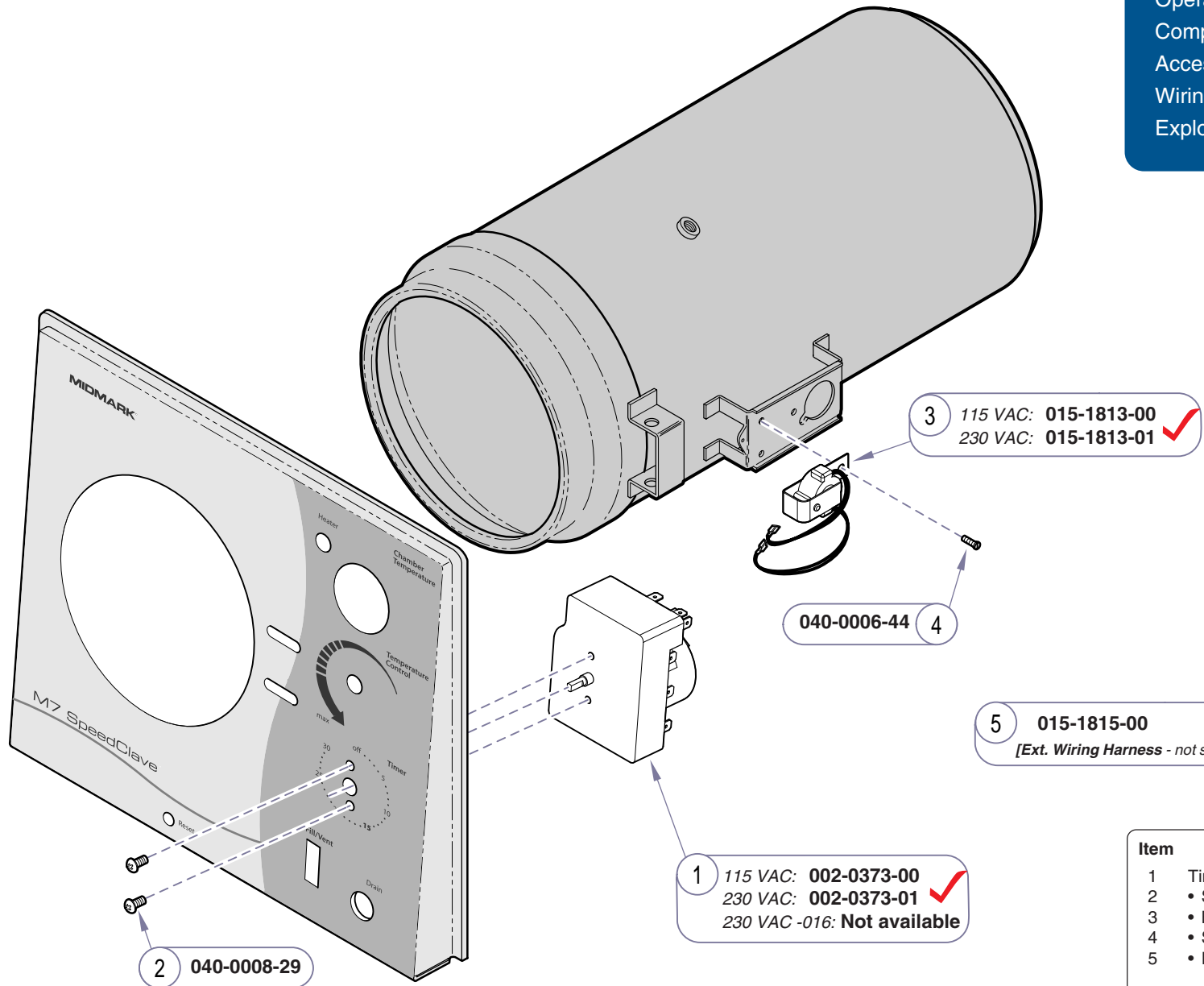
Always Specify Model & Serial Number

MA675602i

Bellows & Plumbing

Models: | *M7 (-020 thru -022)*
Serial Numbers: | *all*

Refer To:	Page
Operation & Troubleshooting	A-1
Component Testing / Repair	B-1
Access Procedures	C-1
Wiring Diagrams	D-1
Exploded Views / Part Numbers ..	E-1



3 115 VAC: **015-1813-00** ✓
230 VAC: **015-1813-01** ✓

040-0006-44 4

5 **015-1815-00**
[Ext. Wiring Harness - not shown]

1 115 VAC: **002-0373-00** ✓
230 VAC: **002-0373-01** ✓
230 VAC -016: **Not available**

2 **040-0008-29**

Item	Description	Qty.
1	Timer Assembly Kit (incl. items 2 thru 5)	1
2	• Screw (#8-32 x 5/16")	1
3	• Buzzer	1
4	• Screw (#6-32 x 7/16")	1
5	• Extended Wiring Harness - not shown (required for older units only)	1

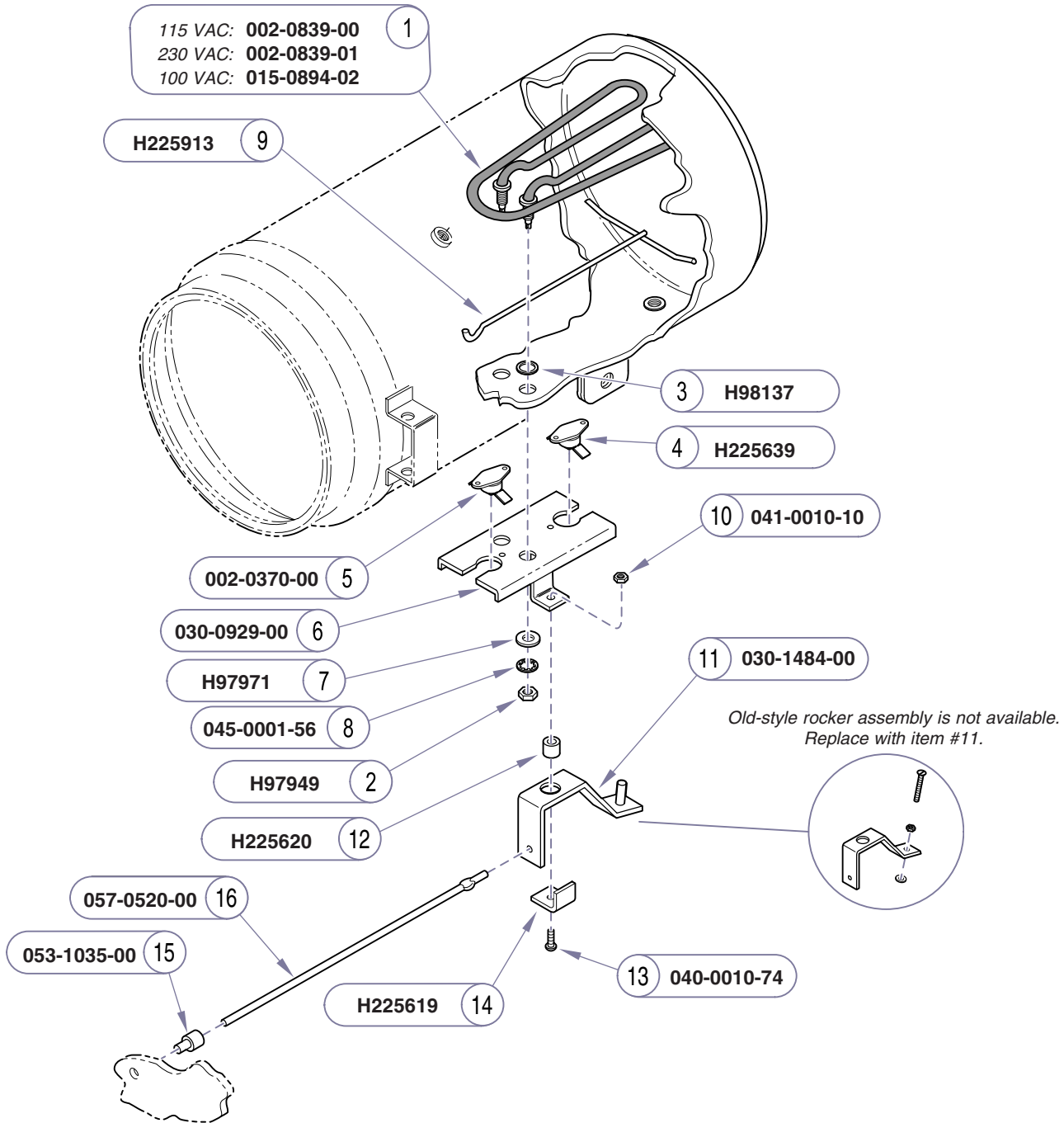
Always Specify Model & Serial Number

MA671802i

Models: | M7 (-011 thru -015) | M7 (-020 thru -022) |
Serial Numbers: | all | all |

Timer / Buzzer

115 VAC: 002-0839-00
 230 VAC: 002-0839-01
 100 VAC: 015-0894-02



Refer To:	Page
Operation & Troubleshooting	A-1
Component Testing / Repair	B-1
Access Procedures	C-1
Wiring Diagrams	D-1
Exploded Views / Part Numbers ..	E-1

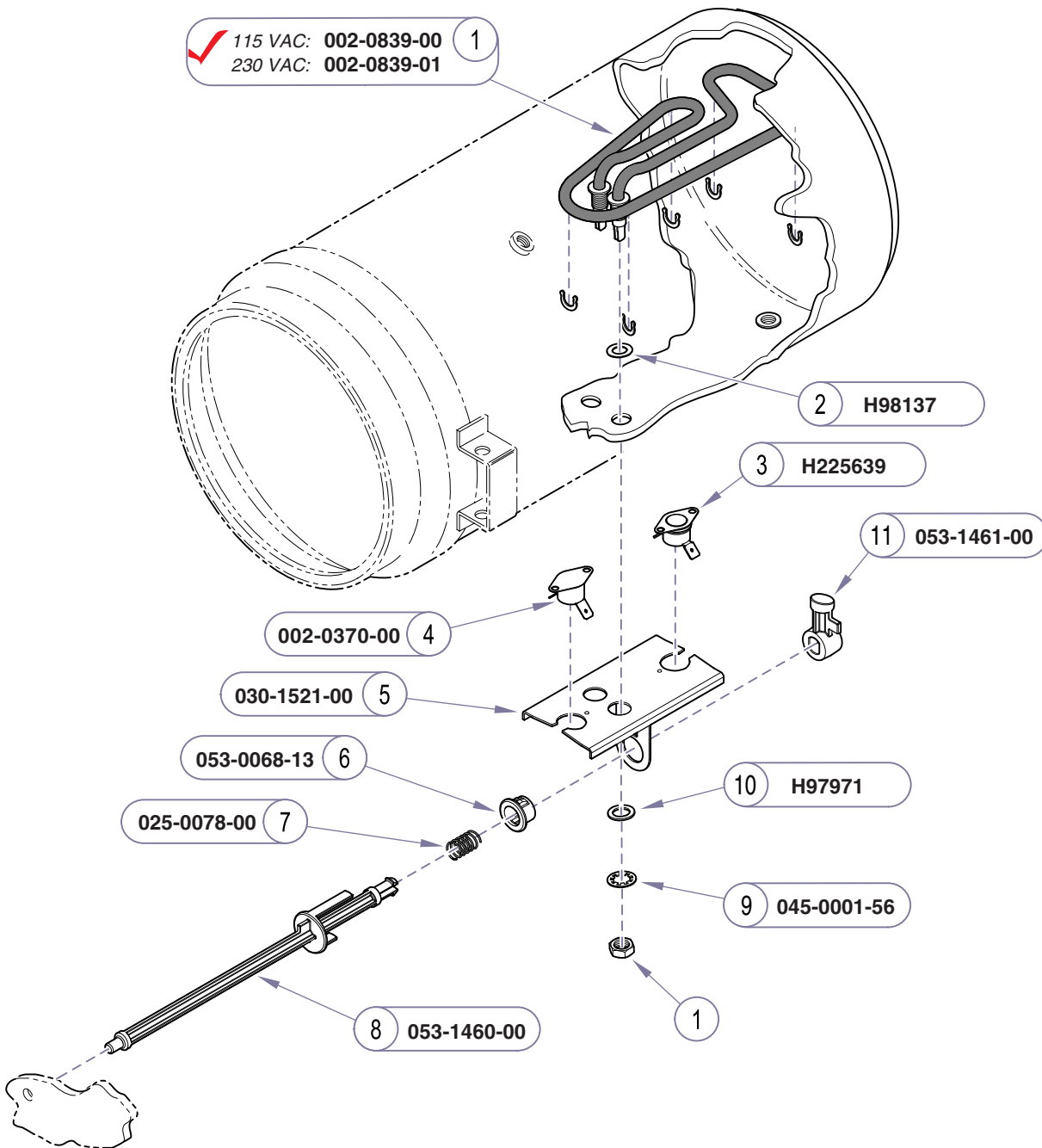
Item	Description	Qty.
1	Heating Element (includes items 2 & 3)	1
2	• Nut	2
3	• Gasket	2
4	Overheat Thermostat (manual-reset)	1
5	Overheat Thermostat (auto-reset)	1
6	Bracket	1
7	Washer	2
8	Lockwasher	2
9	Heater Spacer	1
10	Nut	1
11	Rocker Assembly	1
12	Spacer	1
13	Screw	1
14	Bracket	1
15	Reset Button	1
16	Reset Rod	1

Always Specify Model & Serial Number

MA673901i

Heating Element & Thermostats

Models: M7 (-011 thru -016)
Serial Numbers: all



Refer To:	Page
Operation & Troubleshooting	A-1
Component Testing / Repair	B-1
Access Procedures	C-1
Wiring Diagrams	D-1
Exploded Views / Part Numbers ..	E-1

Item	Description	Qty.
1	Heating Element Kit (includes nuts, e-clips & item 2)	1
2	• Gasket	2
3	Overheat Thermostat (manual-reset)	1
4	Overheat Thermostat (auto-reset)	1
5	Bracket	1
6	Bushing	1
7	Spring	1
8	Reset Rod	1
9	Lockwasher	2
10	Washer	2
11	Reset Button Actuator	1

Always Specify Model & Serial Number

MA673903i

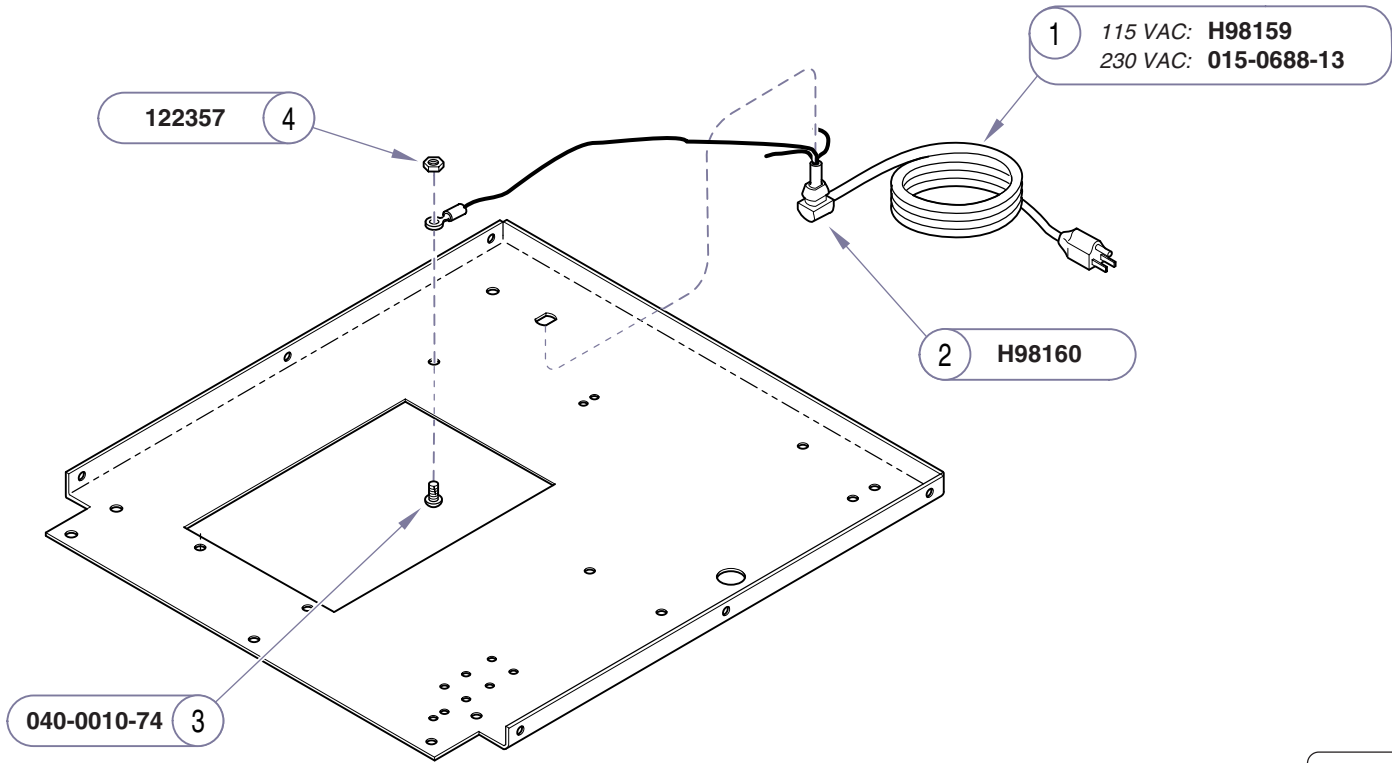
Models: | M7 (-020 thru -022) |
Serial Numbers: | all |

Heating Element & Thermostats

Refer To:	Page
Operation & Troubleshooting	A-1
Component Testing / Repair	B-1
Access Procedures	C-1
Wiring Diagrams	D-1
Exploded Views / Part Numbers ..	E-1

Attention

These models do not have a fuse.



Item	Description	Qty.
1	Power Cord	1
2	Strain Relief	1
3	Screw (#10-32 x 3/8")	1
4	Keps Nut	1

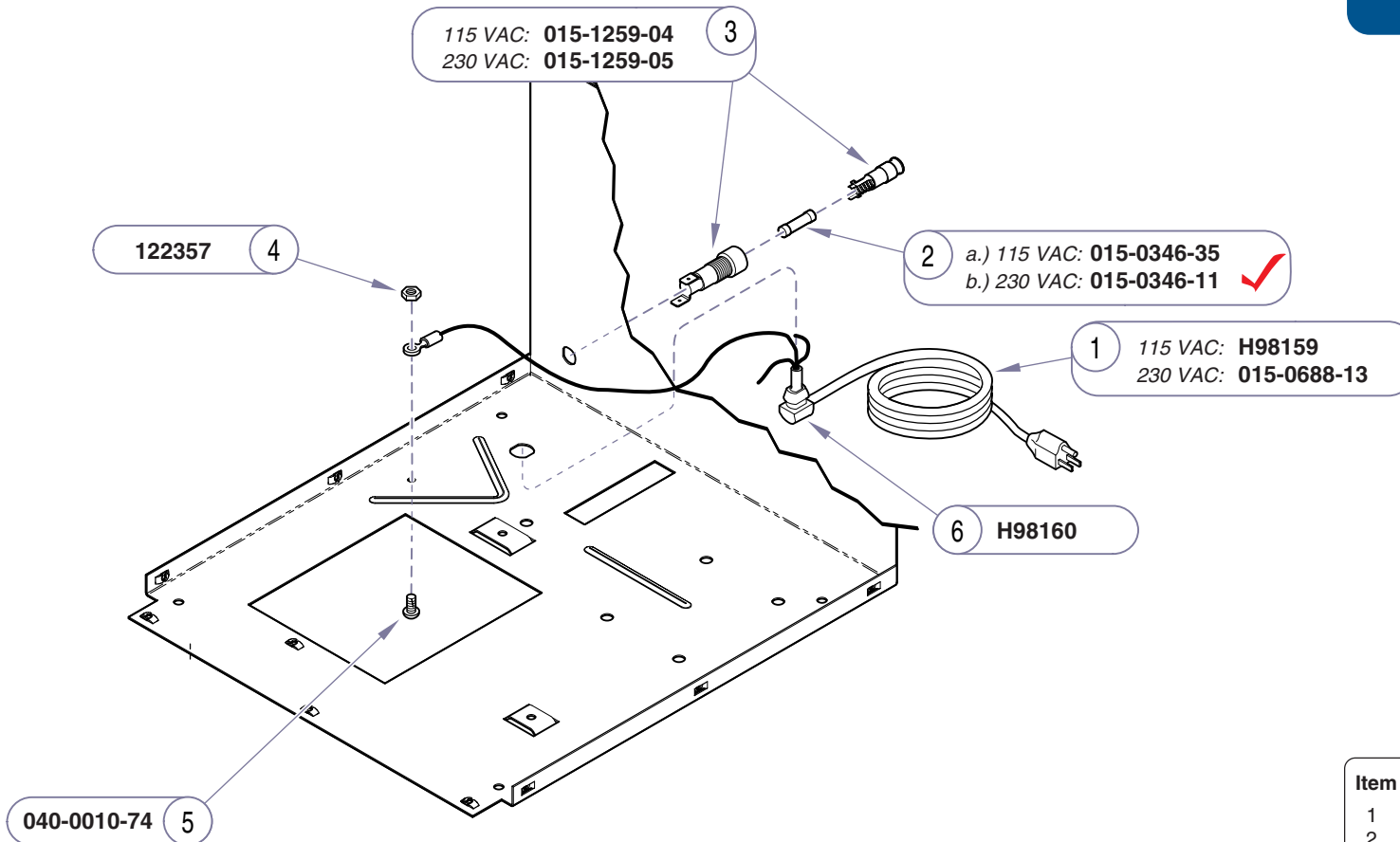
Always Specify Model & Serial Number

MA677200i

Power Cord

Models: | M7 (-011 thru -016) |
Serial Numbers: | all |

Refer To:	Page
Operation & Troubleshooting	A-1
Component Testing / Repair	B-1
Access Procedures	C-1
Wiring Diagrams	D-1
Exploded Views / Part Numbers ..	E-1



Item	Description	Qty.
1	Power Cord	1
2	Fuse:	
	a) 12A, 250V, Fast-Acting, 1/4" x 1-1/4" ...	1
	b) 8A, 250V, Fast-Acting, 5mm x 20mm ...	1
3	Fuse Holder	1
4	Screw (#10-32 x 3/8")	1
5	Keps Nut	1
6	Strain Relief	1

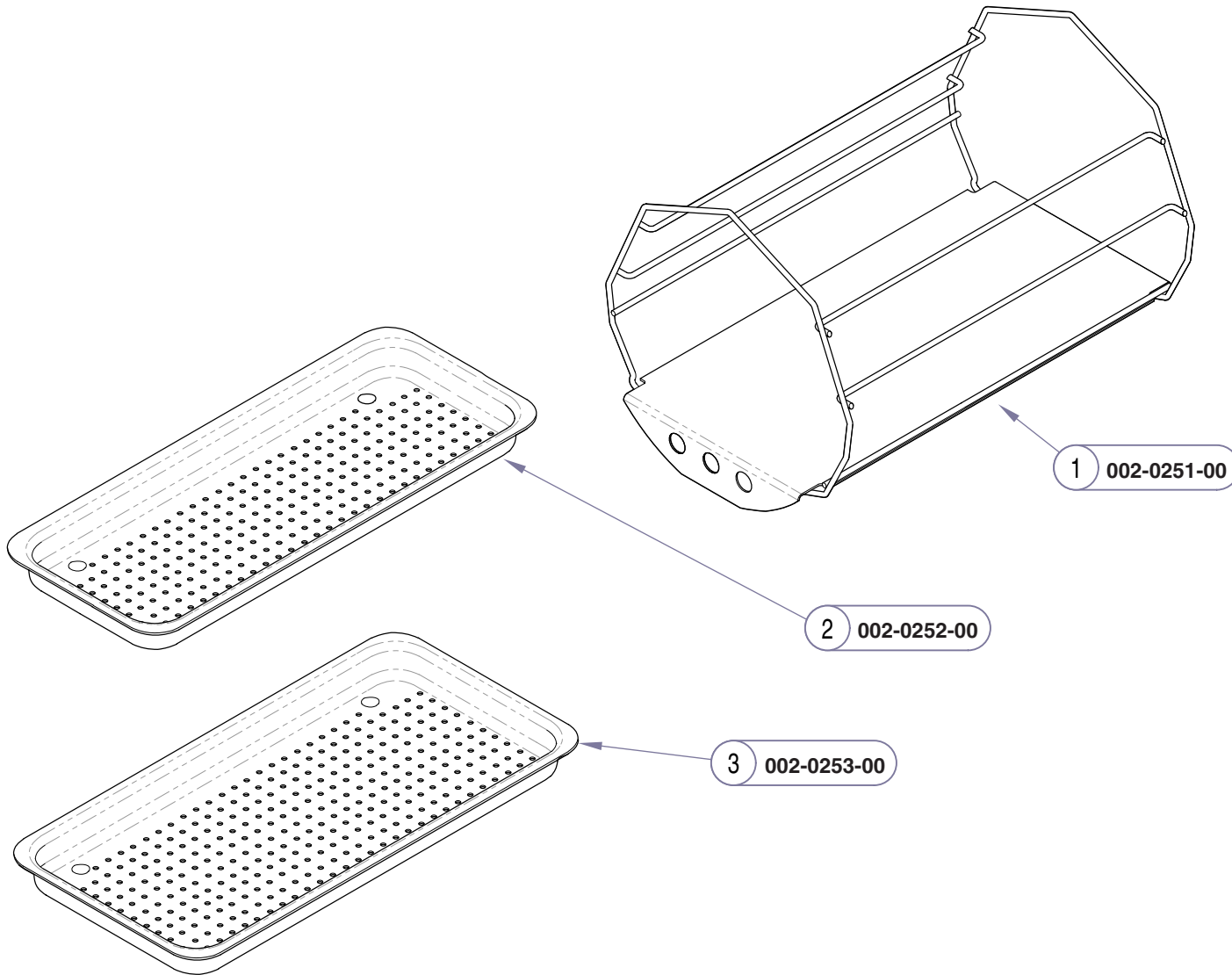
Always Specify Model & Serial Number

MA677201i

Models: | M7 (-020 thru -022) |
 Serial Numbers: | all |

Power Cord / Fuse

Refer To:	Page
Operation & Troubleshooting	A-1
Component Testing / Repair	B-1
Access Procedures	C-1
Wiring Diagrams	D-1
Exploded Views / Part Numbers ..	E-1



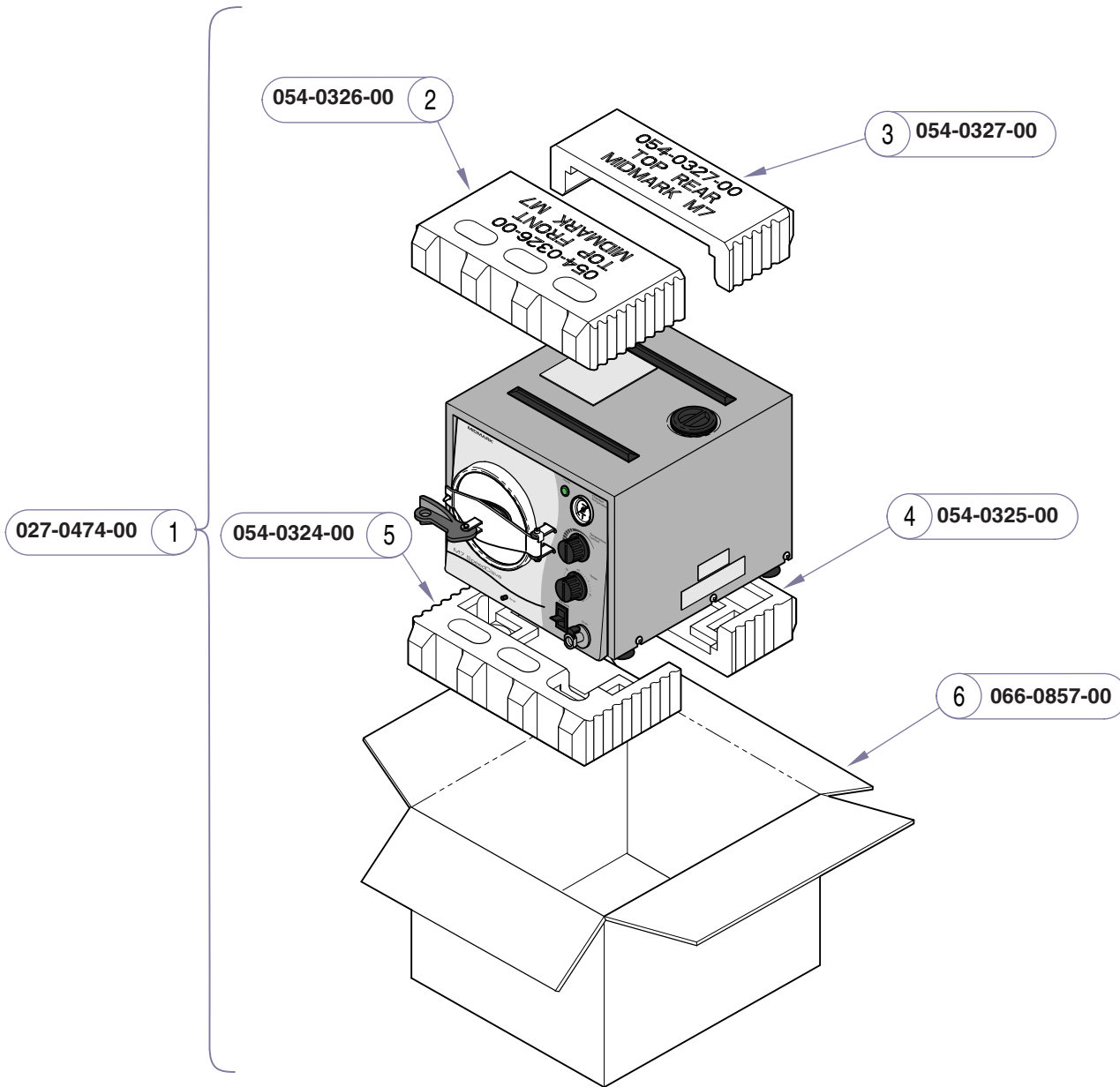
Item	Description	Qty.
1	Tray Rack	1
2	4 inch Tray	1
3	5 inch Tray	2
Always Specify Model & Serial Number		

SA102200i

Rack & Trays

Models:	ALL			
Serial Numbers:				

Refer To:	Page
Operation & Troubleshooting	A-1
Component Testing / Repair	B-1
Access Procedures	C-1
Wiring Diagrams	D-1
Exploded Views / Part Numbers ..	E-1



Item	Description	Qty.
1	M7 Packaging Kit - Generic (includes items 2 thru 8).....	1
2	• Top Front Pad	1
3	• Top Rear Pad	1
4	• Bottom Rear Pad	1
5	• Bottom Front Pad	1
6	• Carton	1
7	• Sterilizer Cleaner (not shown).....	1
8	• MSDS Sheet (not shown)	1

Always Specify Model & Serial Number

MA514703i

Models:	ALL			
Serial Numbers:				

Packaging

Ritter/Midmark: **061-0443-00** 1
 Dabi Alante: **061-0594-00**

Ritter/Midmark: **H284693** 2
 Dabi Alante: **061-0593-00**

Ritter/Midmark: **061-0649-00** 9
 Dabi Alante: **061-0599-00**

3 Ritter/Midmark: **H335669**
 Dabi Alante: **061-0598-00**

4 Ritter/Midmark: **061-0203-00**
 Dabi Alante: **061-0600-00**

M7 (-011/-013/-014): **061-0519-00** 8
 M7 (-012): **061-0527-00**
 M7 (-015): **061-0601-00**
 M7 (-016): **061-0607-00**

6 **061-0301-00**

7 **061-0509-00**

Refer To:	Page
Operation & Troubleshooting	A-1
Component Testing / Repair	B-1
Access Procedures	C-1
Wiring Diagrams	D-1
Exploded Views / Part Numbers ..	E-1

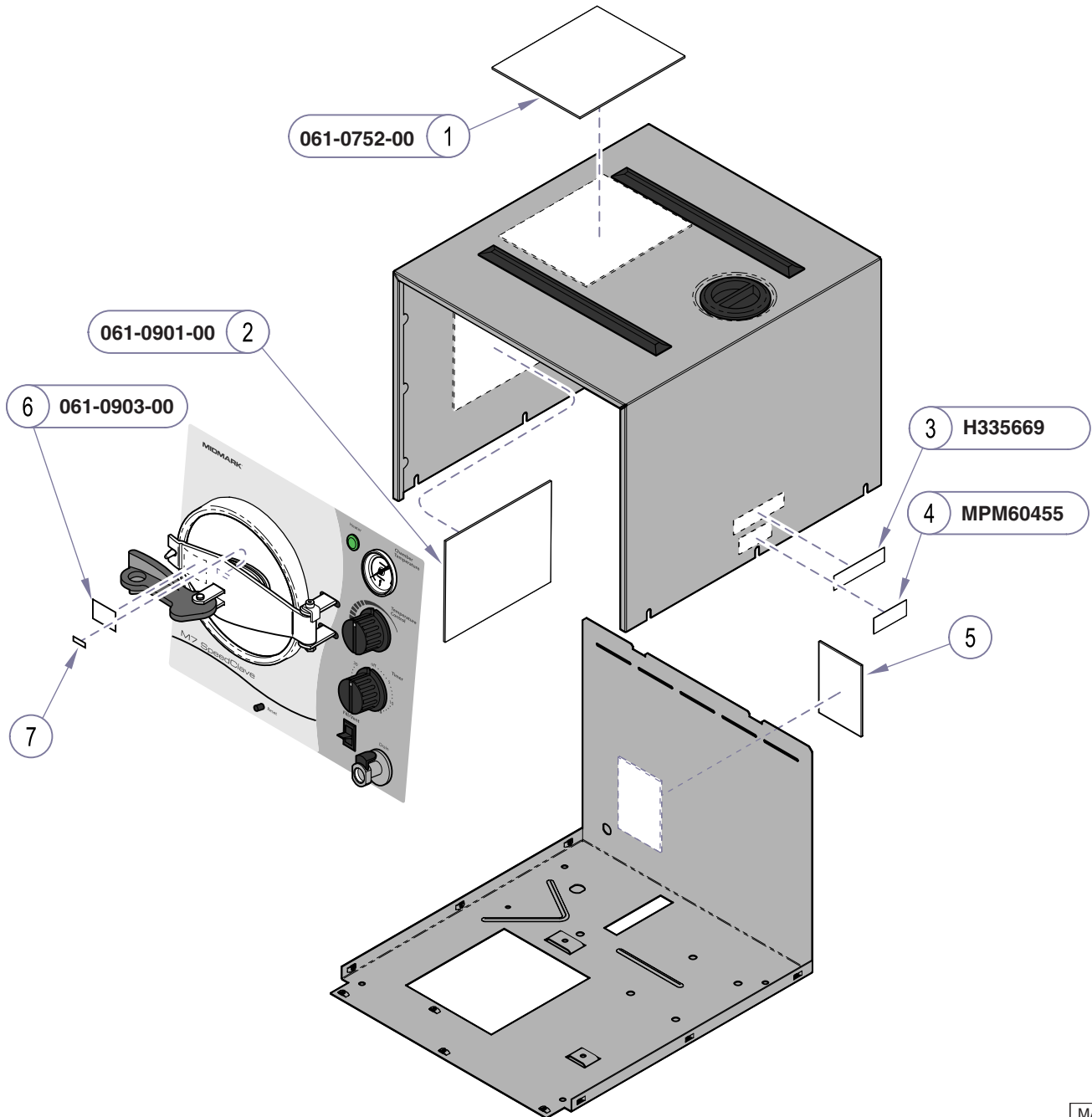
Item	Description	Qty.
1	Operating Instructions Plate	1
2	Danger Plate (<i>Dabi Alante only</i>)	1
3	Warning Label	1
4	Caution Label	1
5	Serial Number Label (<i>large - n/a</i>)	1
6	UL Label (<i>applicable units only</i>)	1
7	CSA Label (<i>applicable units only</i>)	1
8	Wiring Diagram Label	1
9	Caution HOT Label	1
10	Serial Number Label (<i>small - n/a</i>)	1

Always Specify Model & Serial Number

MA674300i

Labels & Decals

Models: | **M7 (-011 thru -016)**
Serial Numbers: | **all**



Refer To:	Page
Operation & Troubleshooting	A-1
Component Testing / Repair	B-1
Access Procedures	C-1
Wiring Diagrams	D-1
Exploded Views / Part Numbers ..	E-1

Item	Description	Qty.
1	Operating Instructions Plate	1
2	Wiring Diagram Label	1
3	Warning Label	1
4	Caution Label	1
5	Serial Number Label (<i>large - n/a</i>)	1
6	Caution HOT Label	1
7	Serial Number Label (<i>small - n/a</i>)	1

Always Specify Model & Serial Number

MA674302i

Models: | M7 (-020 thru -022) |
 Serial Numbers: | all |

Labels & Decals